

[54] SWITCHGEAR CONTACT

[75] Inventors: Gregory C. Benson; Victor Golowash, both of Birmingham, Ala.

[73] Assignee: Electrical Equipment, Inc., Birmingham, Ala.

[**] Term: 14 Years

[21] Appl. No.: 348,648

[22] Filed: May 8, 1989

[52] U.S. Cl. 213/173; D13/175

[58] Field of Search D13/175, 173; 200/48 KB, 48 R, 244, 248, 471, 272; 361/335, 340; 439/830, 832, 844, 845, 850, 884, 856

[56] References Cited

U.S. PATENT DOCUMENTS

1,327,844	1/1920	Schaefer	439/830	X
1,917,862	7/1933	Wadsworth	439/832	
1,935,598	11/1933	Koppitz	200/48 KB	X
2,709,793	5/1955	Johansson	439/845	
3,789,919	12/1988	Cox et al.	361/338	X
4,078,162	3/1978	Turner	200/48 KB	X

FOREIGN PATENT DOCUMENTS

0535610	4/1941	United Kingdom	439/850	
---------	--------	----------------	-------	---------	--

OTHER PUBLICATIONS

Multi clips on p. 38, of Electrical Construction & Maintenance, '85-'86 Yearbook.

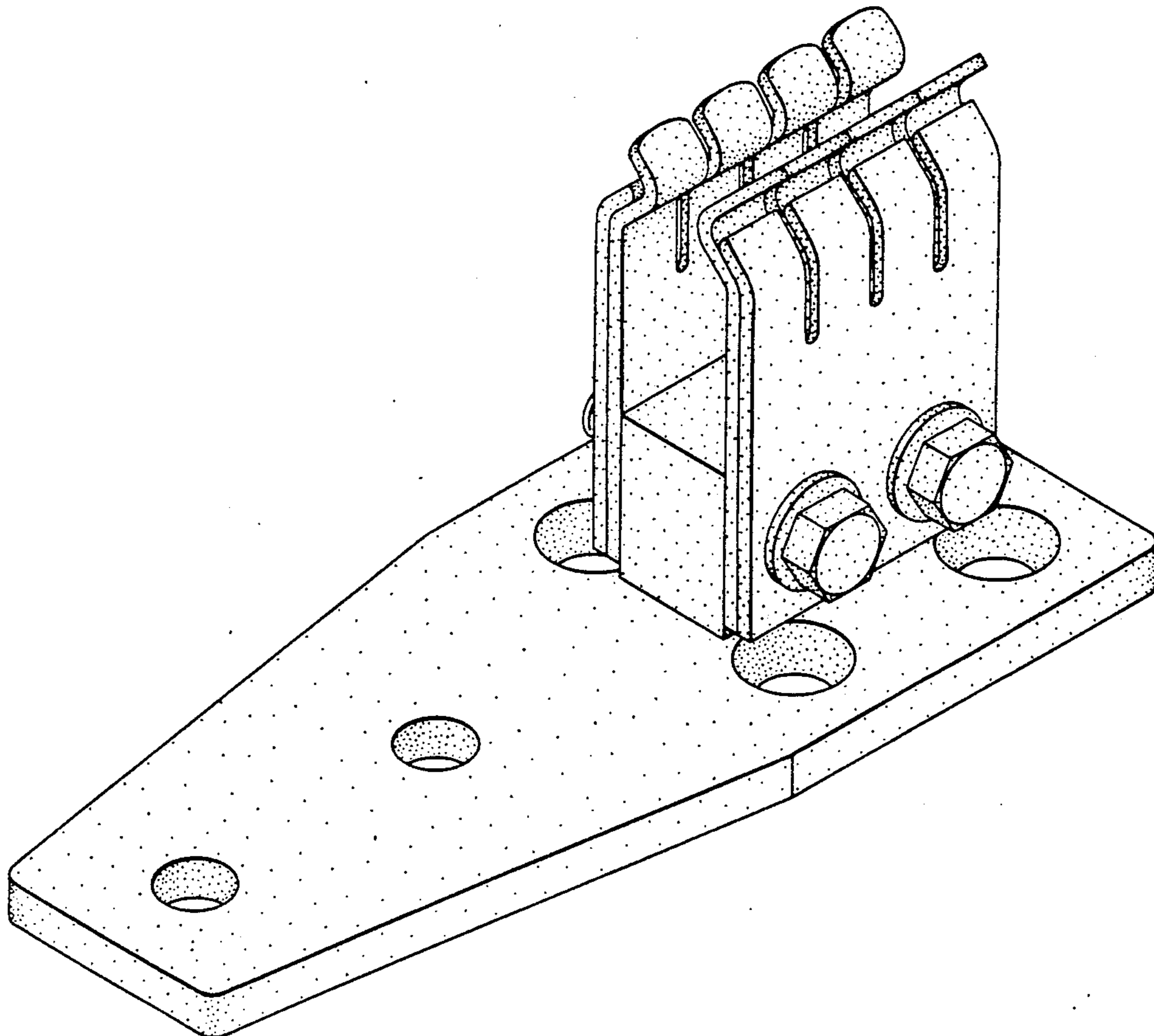
Primary Examiner—Susan J. Lucas
Assistant Examiner—J. Sincavage
Attorney, Agent, or Firm—Jennings, Carter, Thompson & Veal

[57] CLAIM

The ornamental design for a switchgear contact, as shown and described.

DESCRIPTION

FIG. 1 is a perspective view of a switchgear contact showing our new design;
FIG. 2 is a side elevational view thereof;
FIG. 3 is a side elevational view of the side opposite that shown in FIG. 2;
FIG. 4 is an end elevational view thereof;
FIG. 5 is an end elevational view of the end opposite that shown in FIG. 4;
FIG. 6 is a top plan view thereof;
FIG. 7 is a bottom view thereof; and
FIG. 8 is a side elevational view corresponding to FIG. 2, drawn to a reduced scale, and showing related components of a switchgear assembly in dashed lines to illustrate environmental structure. The broken line showing forms no part of the claimed design.



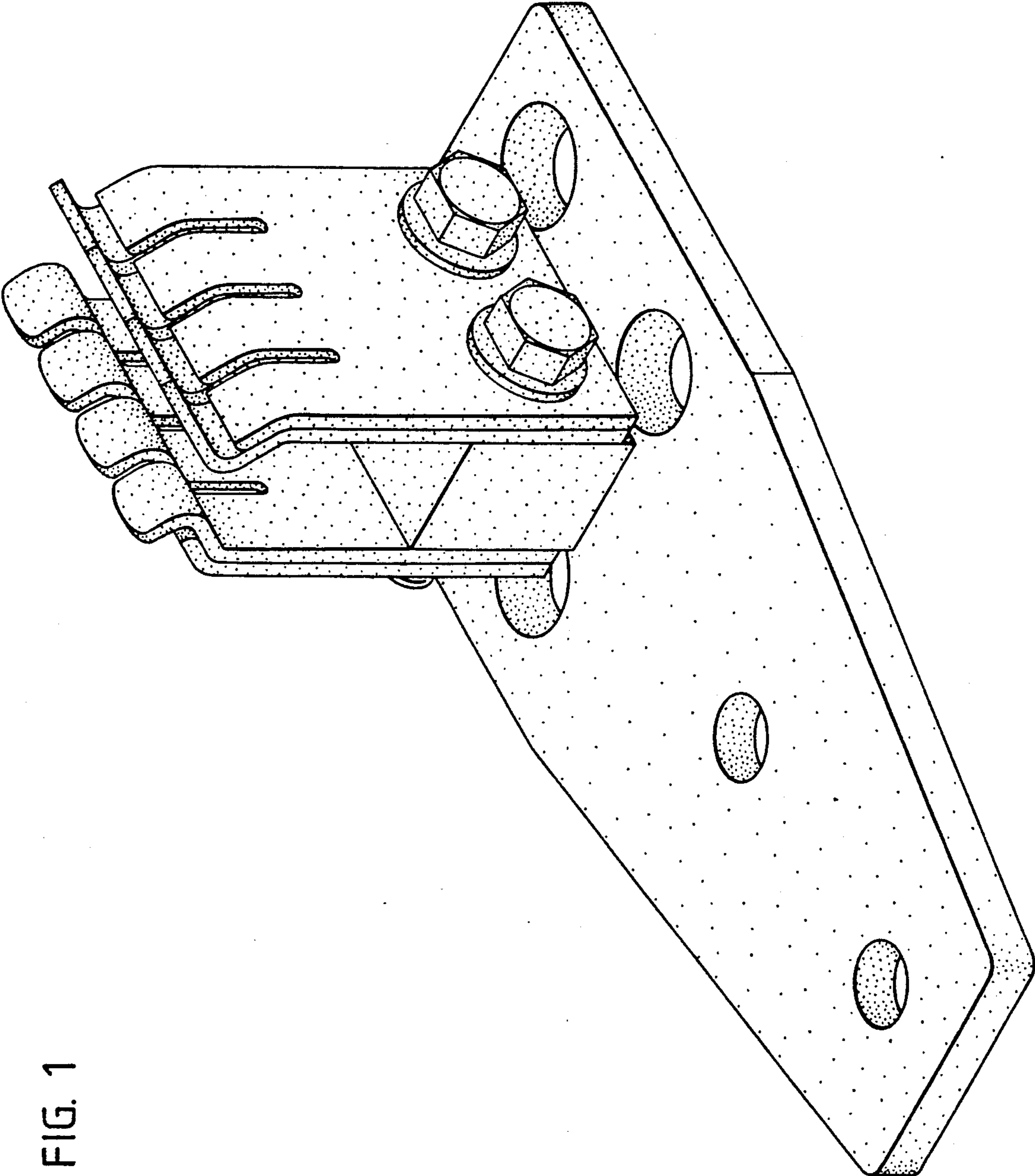


FIG. 1

FIG. 2

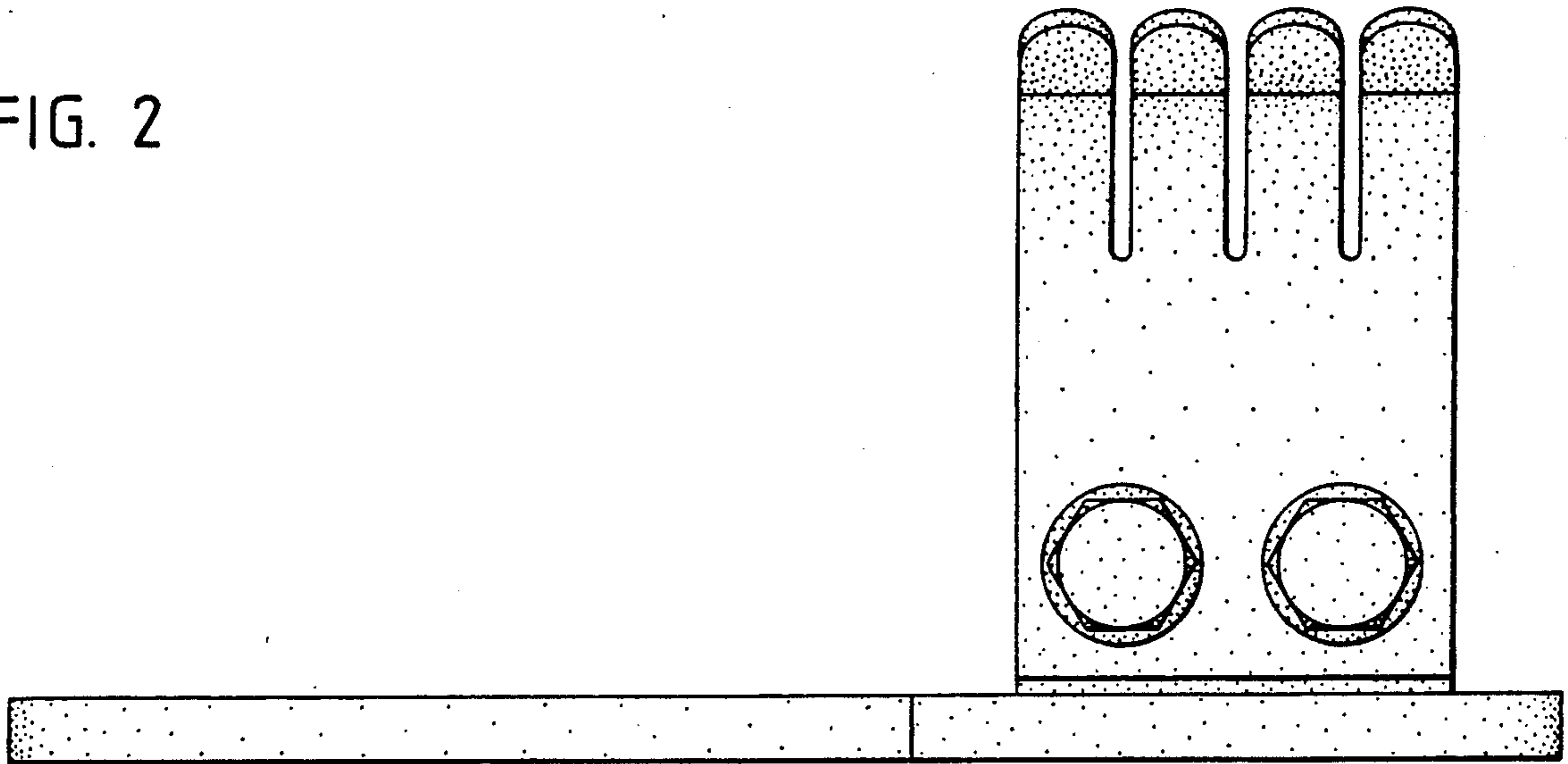


FIG. 3

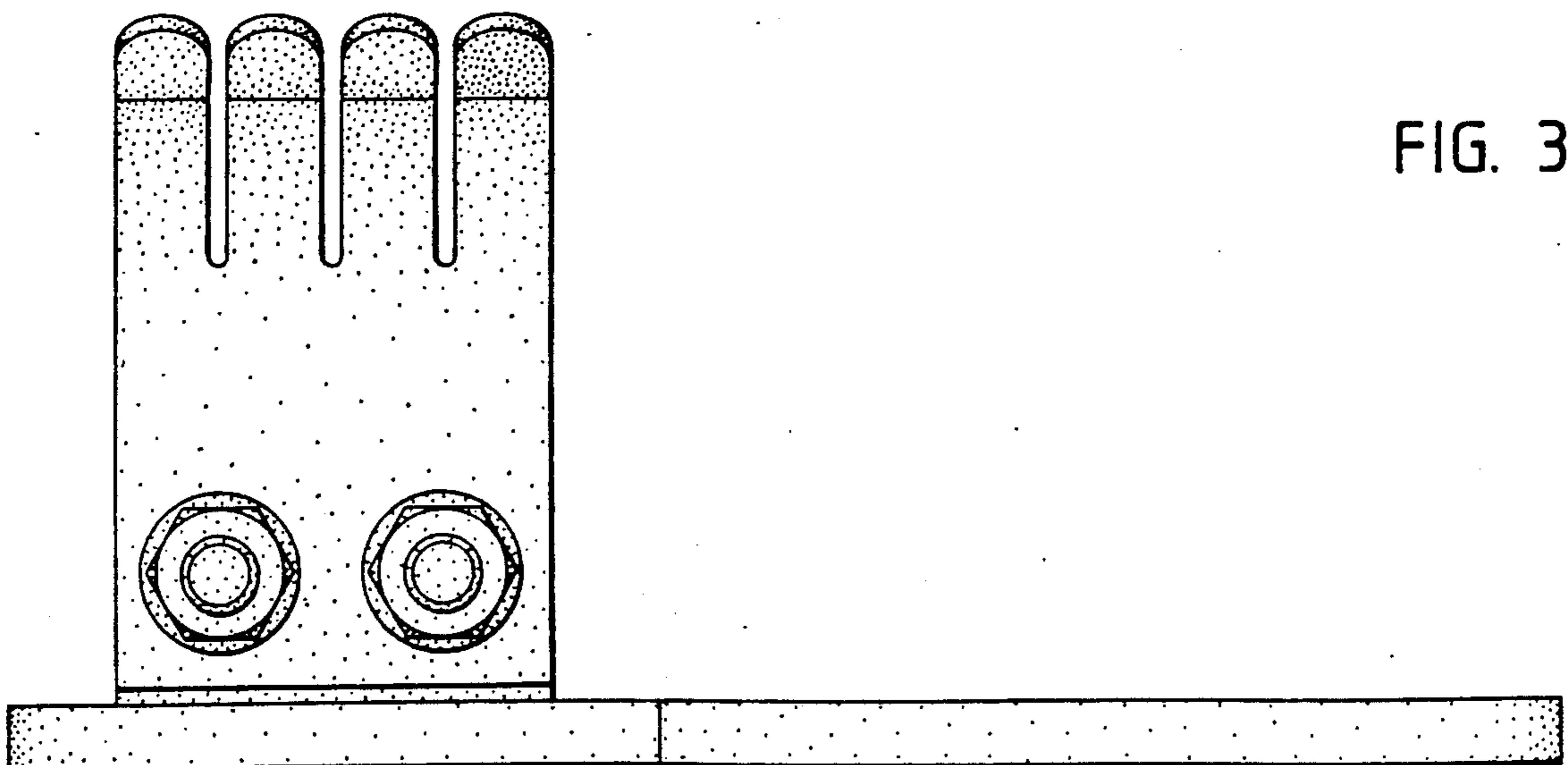


FIG. 4

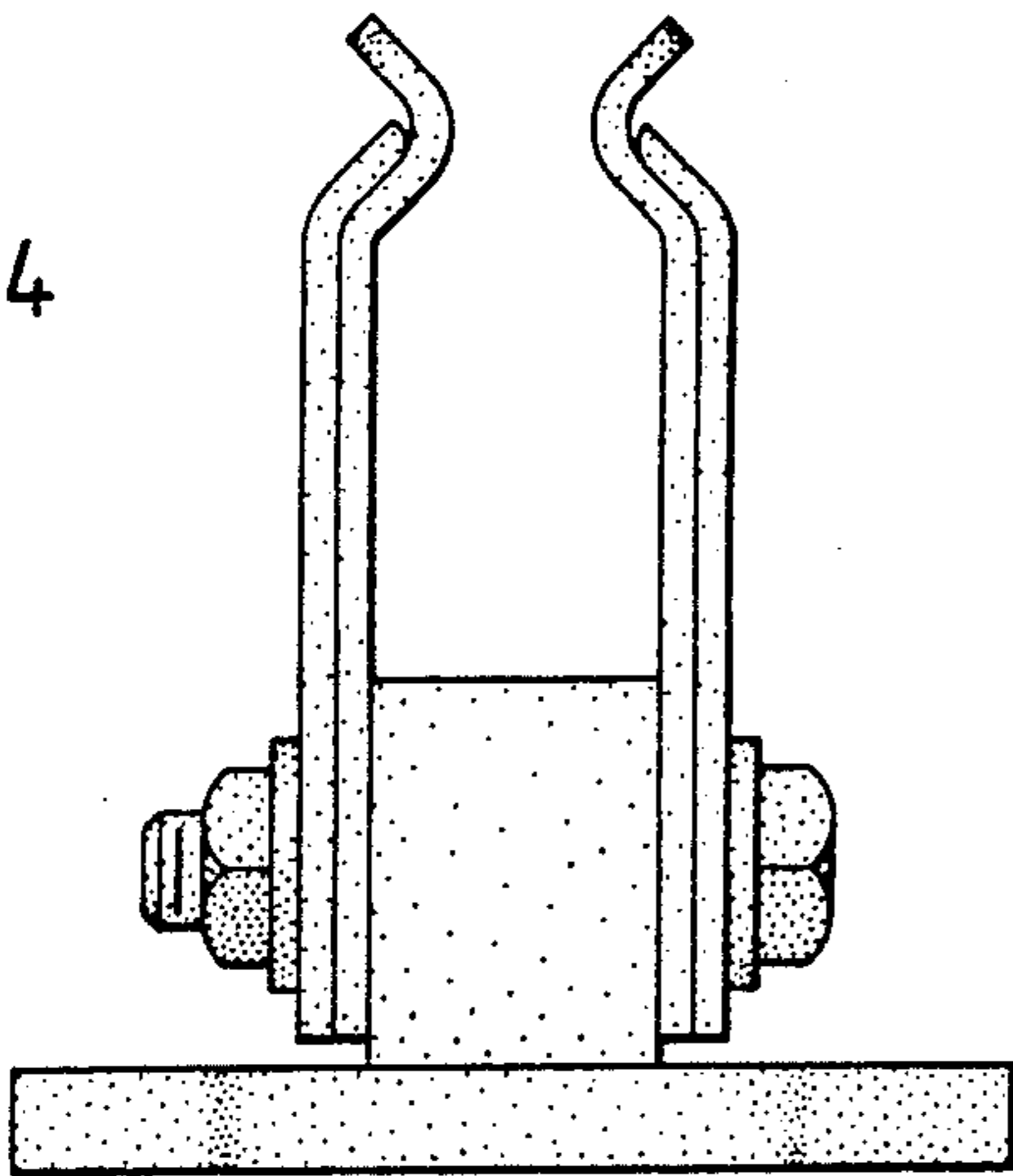


FIG. 5

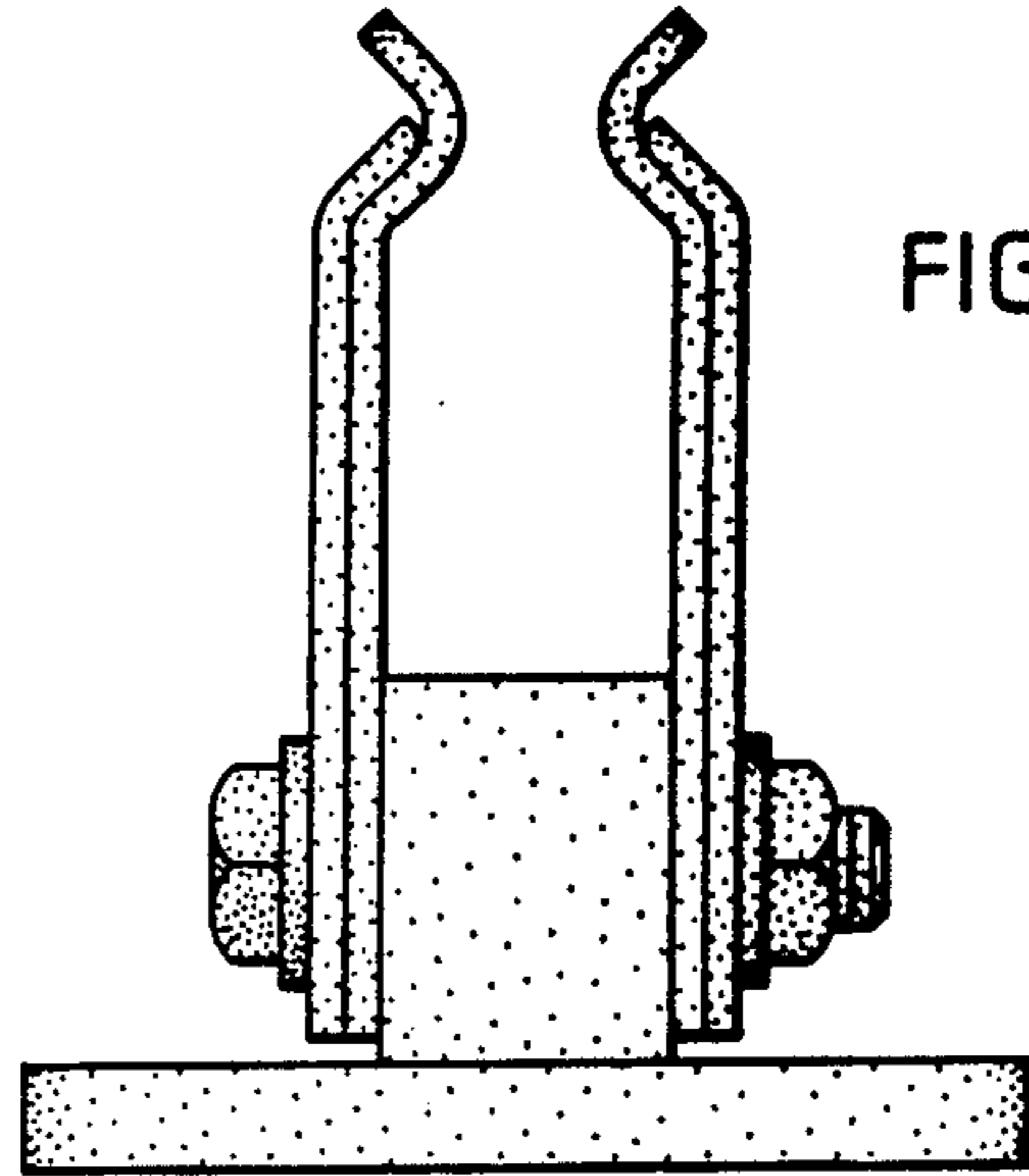


FIG. 6

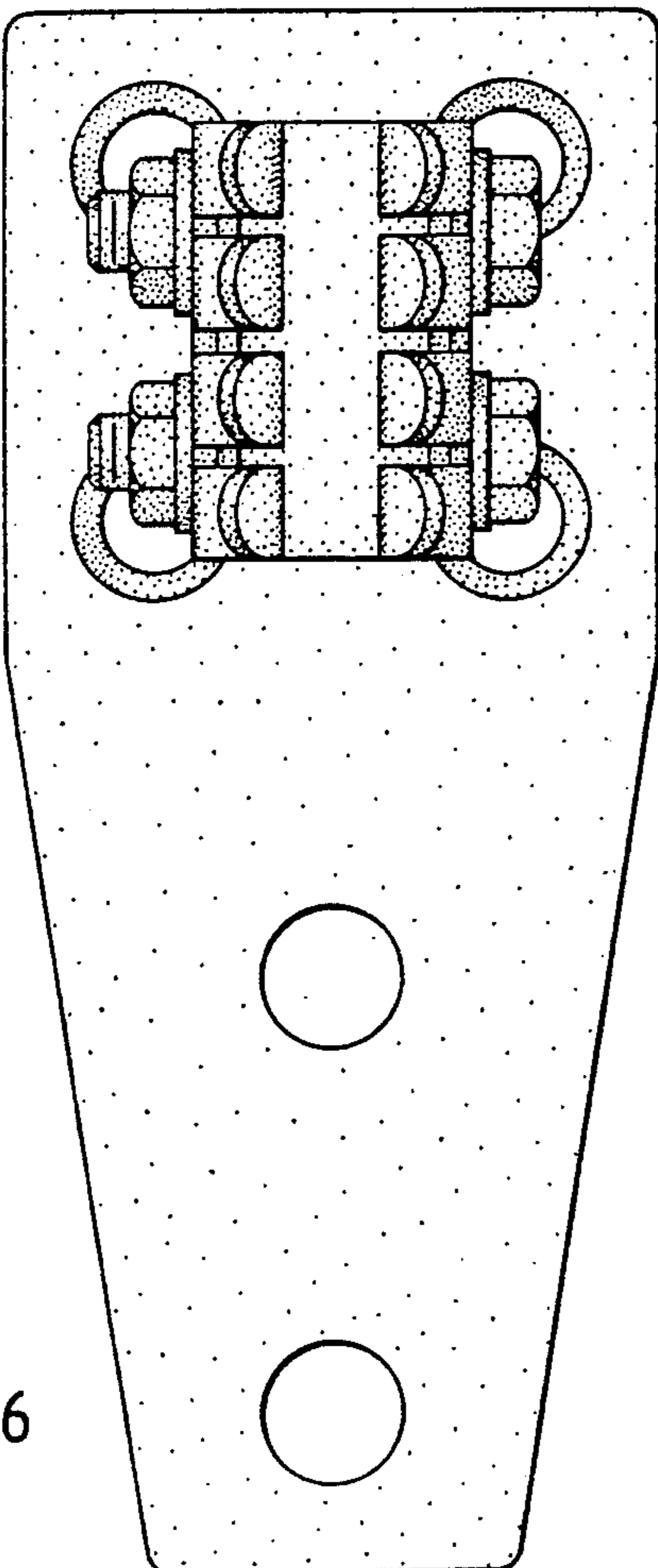
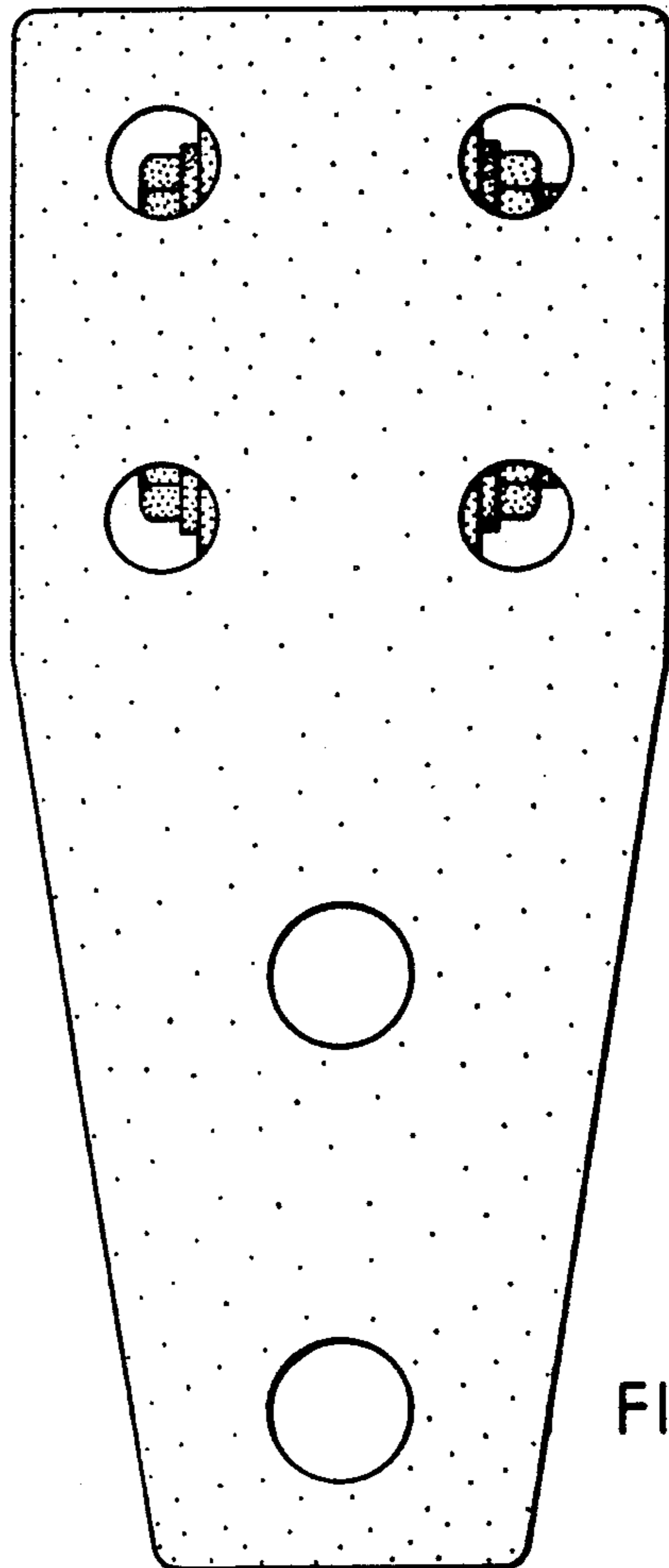


FIG. 7



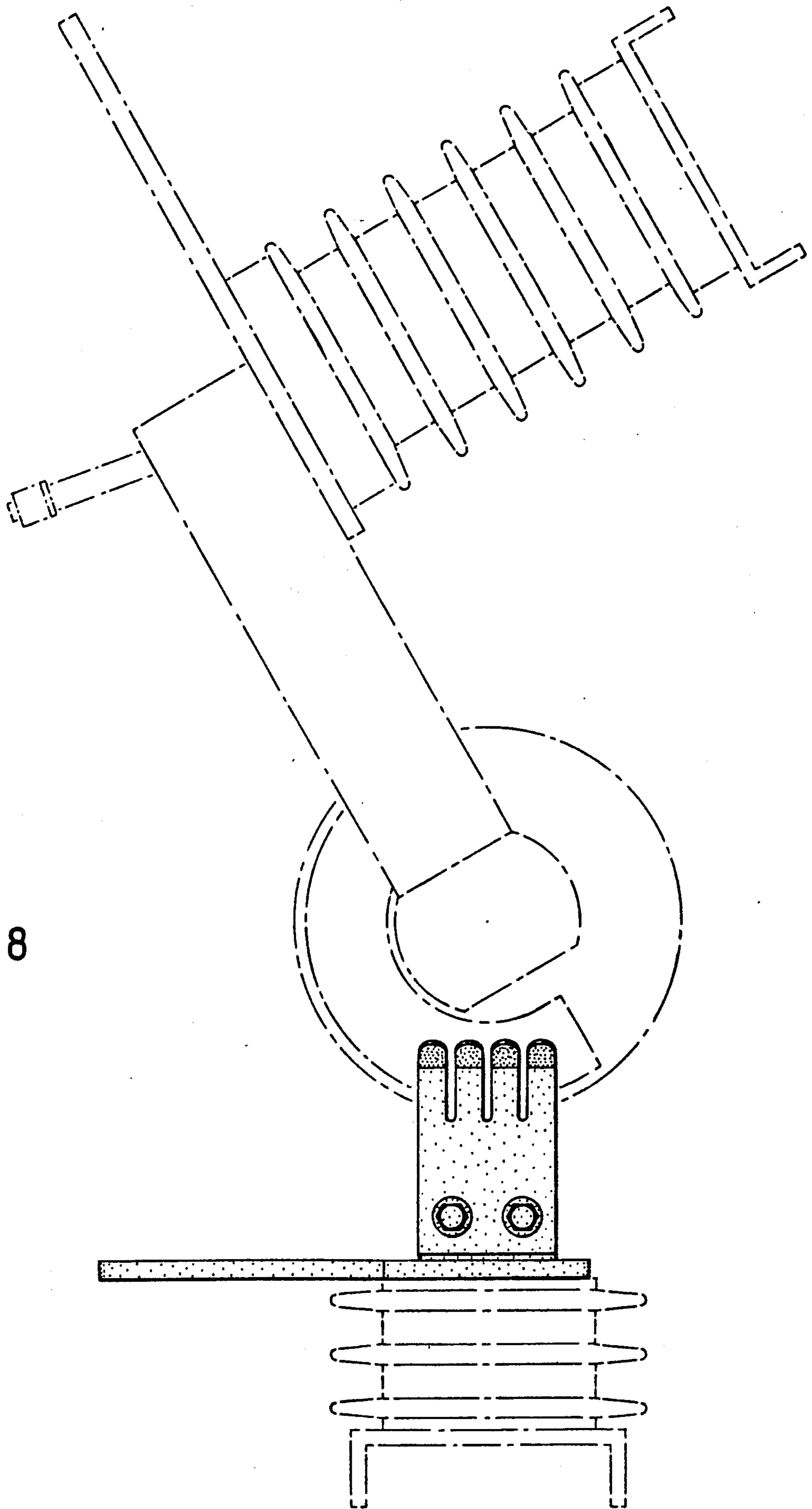


FIG. 8