

[54] MEMORY CARD CONNECTOR

[75] Inventor: Yasuhiro Komatsu, Osaka, Japan

[73] Assignee: Hosiden Electronics Co., Ltd., Yao, Japan

[\*\*] Term: 14 Years

[21] Appl. No.: 271,846

[22] Filed: Nov. 16, 1988

[30] Foreign Application Priority Data

May 26, 1988 [JP] Japan ..... 63-20786

[52] U.S. Cl. .... D13/147; D13/133

[58] Field of Search ..... D13/133, 147, 164; D14/114, 117, 121; 235/441, 444, 446; 360/99.02, 99.06; 361/392, 395; 439/59, 62, 64, 65, 152, 225, 267, 325, 329, 549

[56] References Cited

U.S. PATENT DOCUMENTS

- D. 277,189 1/1985 Shibata ..... D14/114
- D. 305,117 12/1989 Masuda et al. .... D14/114
- 3,577,113 5/1971 Maitland ..... 439/155 X
- 4,724,310 1/2988 Shimamura et al. .... 235/441 X

Primary Examiner—Susan J. Lucas

Assistant Examiner—Joel Sincavage  
Attorney, Agent, or Firm—Jones, Tullar & Cooper

[57] CLAIM

The ornamental design for a memory card connector, as shown and described.

DESCRIPTION

FIG. 1 is a front bottom and left side perspective view of a memory card connector showing my new design; FIG. 2 is a top plan view thereof; FIG. 3 is a bottom plan view thereof; FIG. 4 is a front elevational view thereof; FIG. 5 is a rear elevational view thereof; FIG. 6 is a right side elevational view thereof, the left side elevational view being a mirror image; FIG. 7 is a front, top and right side perspective view thereof; FIG. 8 is a front, top and right side perspective view of a memory card connector showing my new design with two memory cards inserted. The broken line showing of the memory cards is included for the purpose of illustrating environmental elements only and forms no part of the claimed design; FIG. 9 is a front, top and right side perspective view thereof with one of the two inserted memory cards partially removed and showing the left pushbutton depressed.

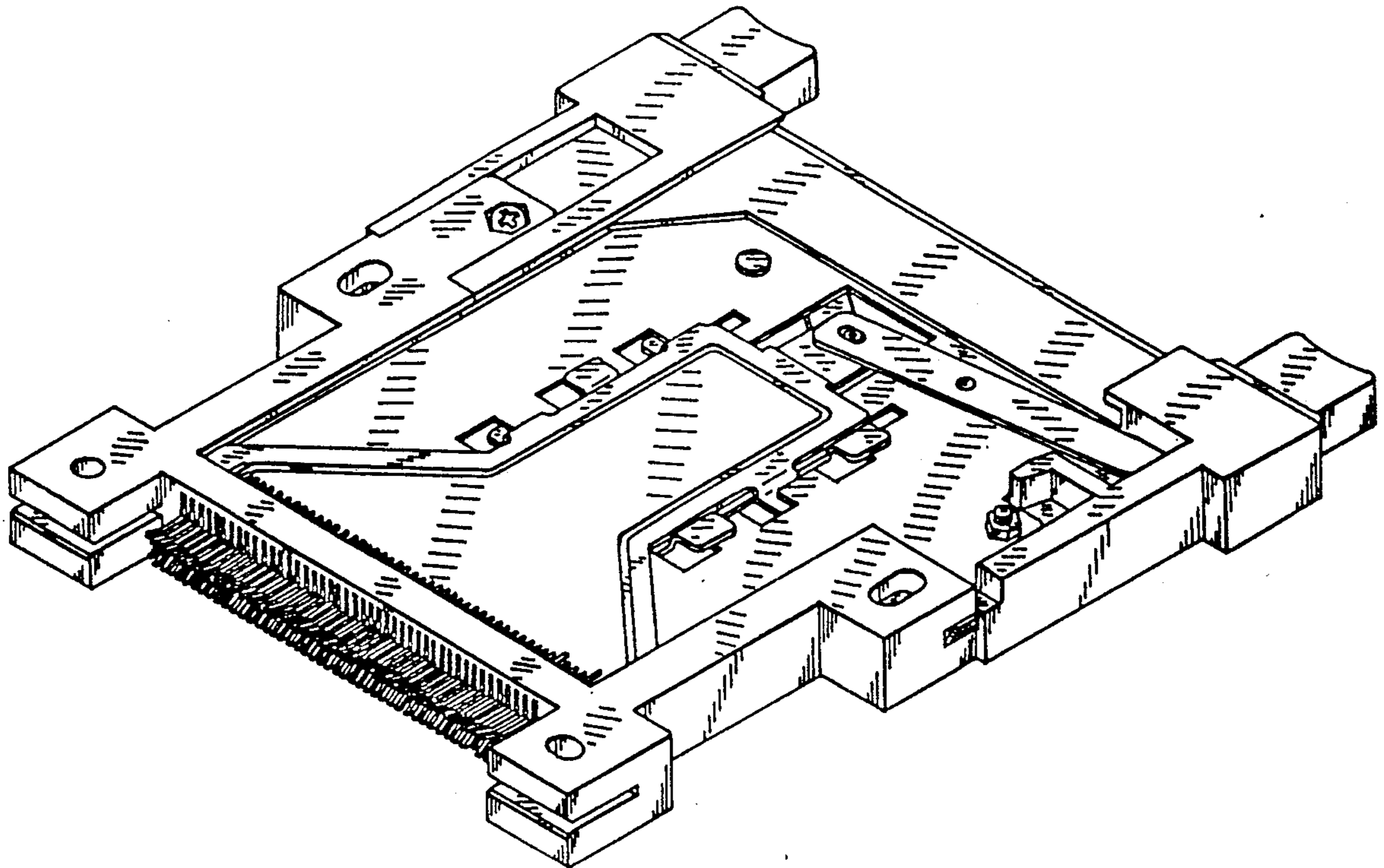
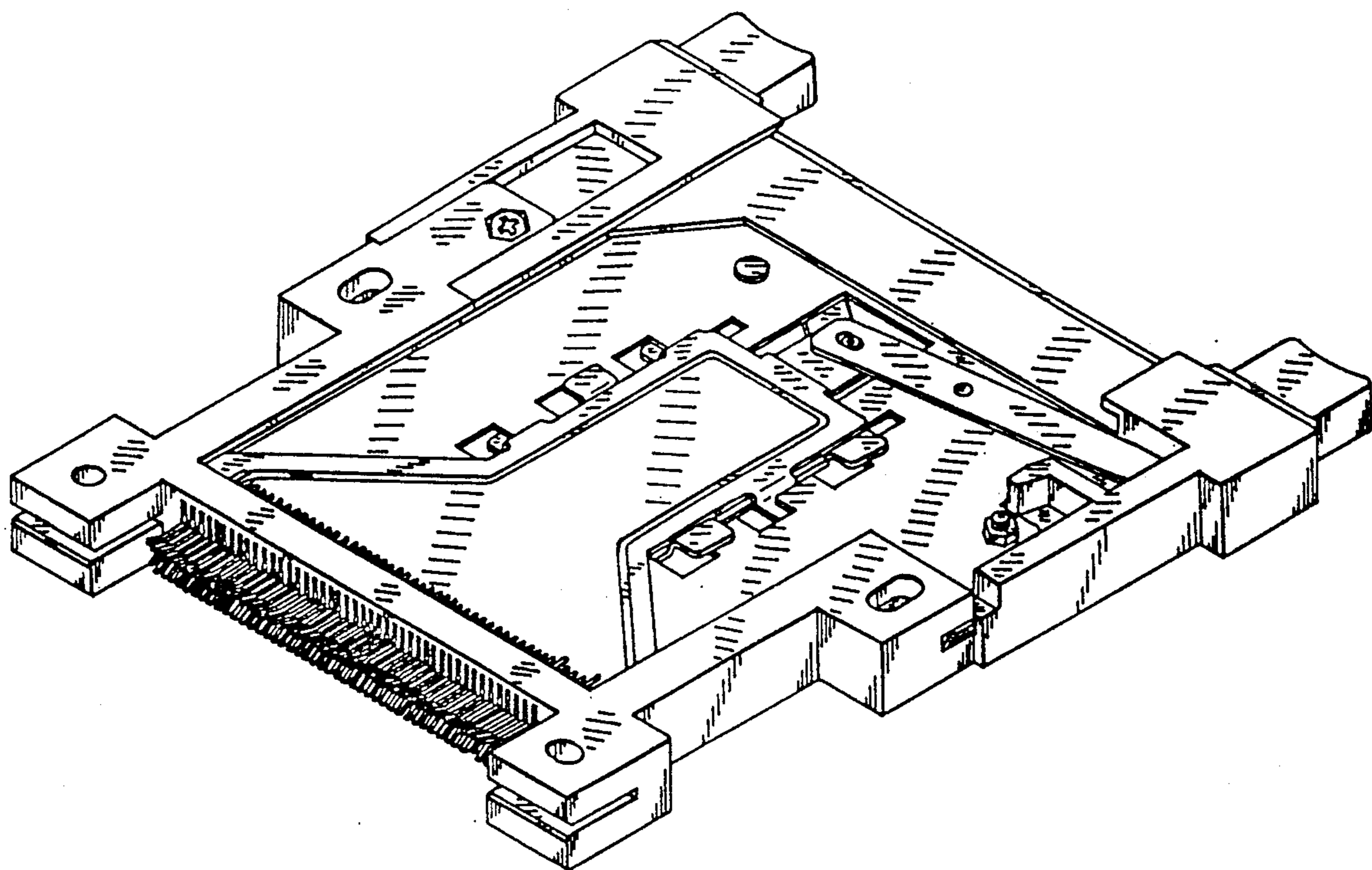


FIG. 1



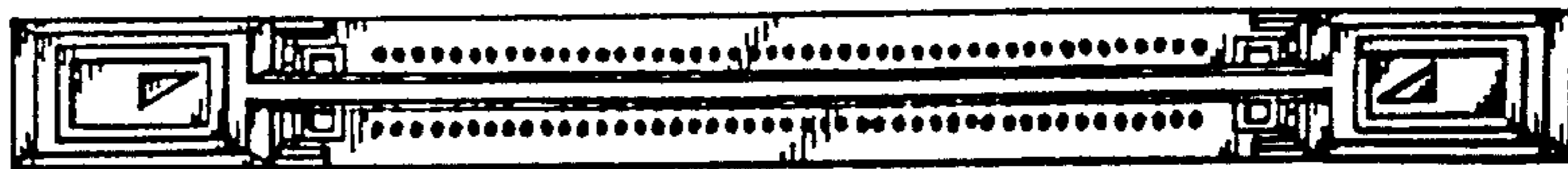


FIG. 2



FIG. 6

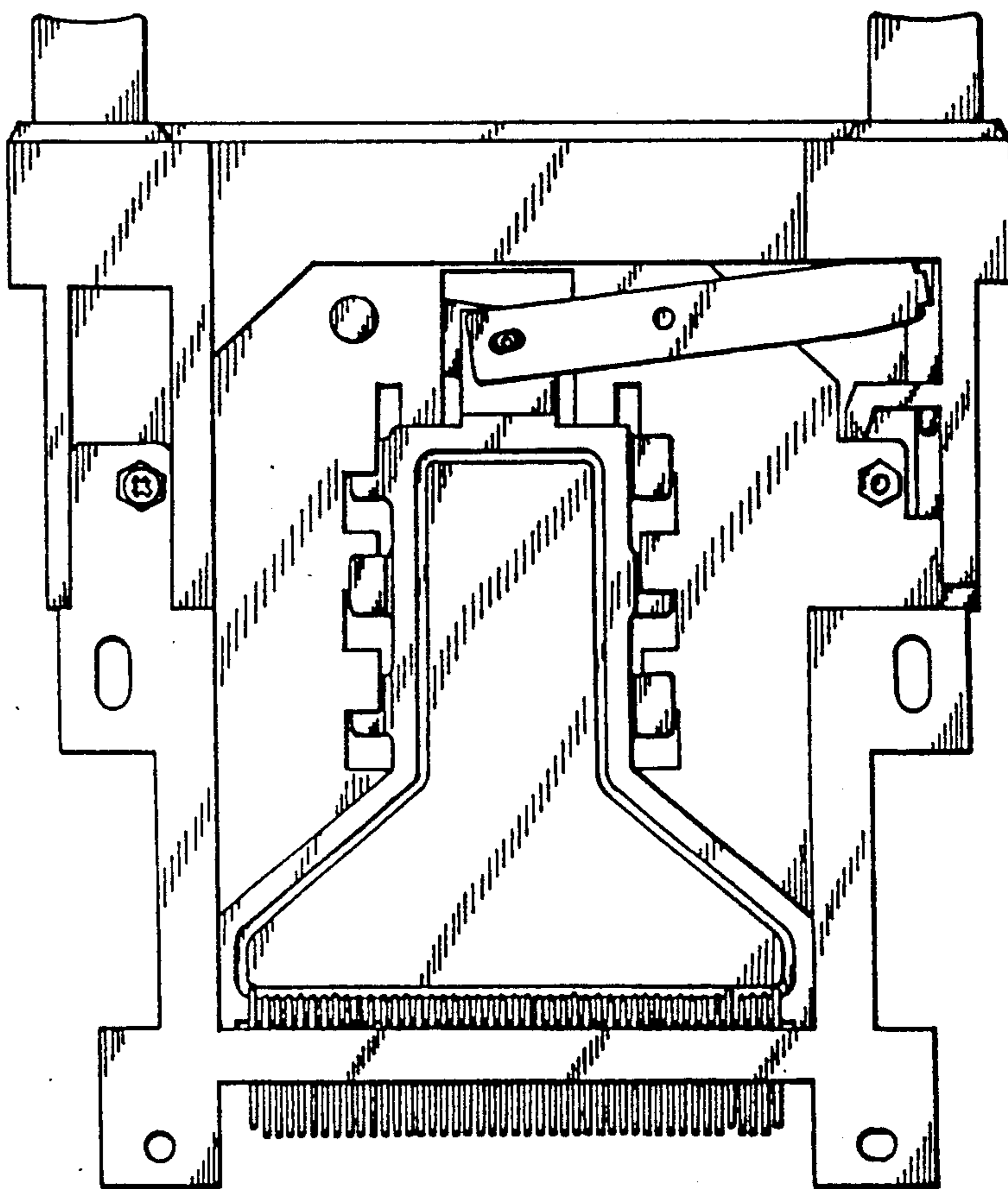


FIG. 4

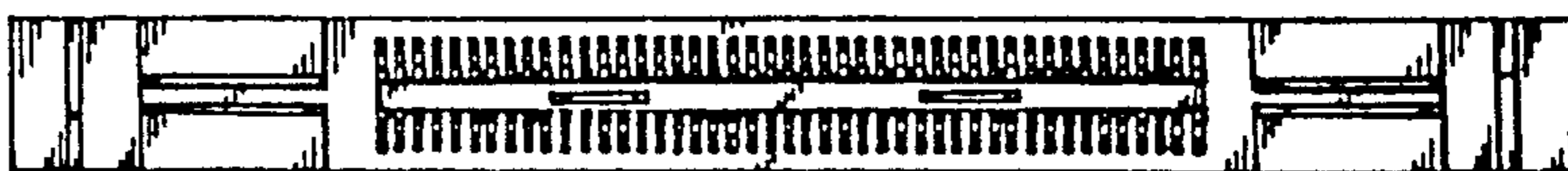


FIG. 3

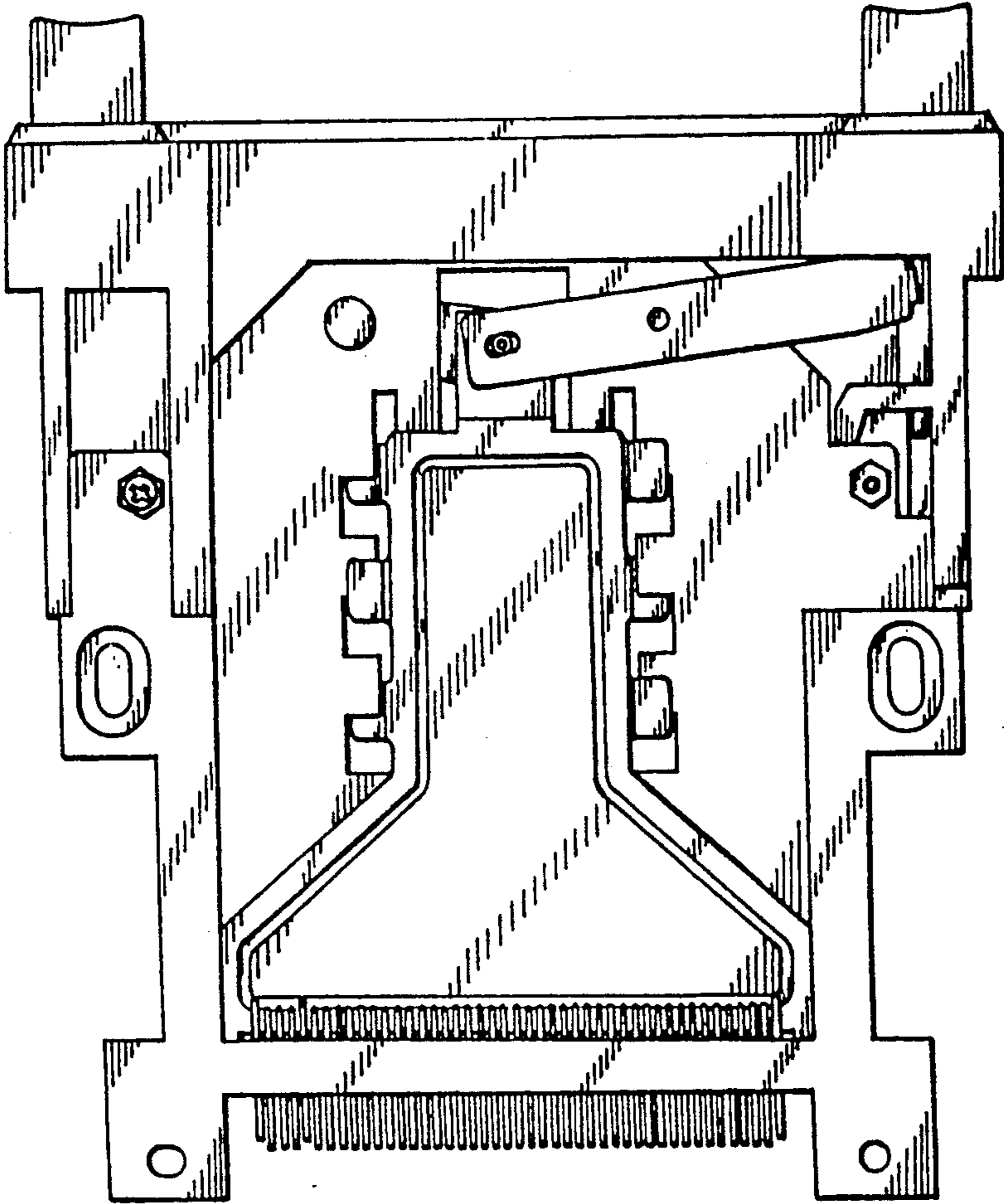


FIG. 5

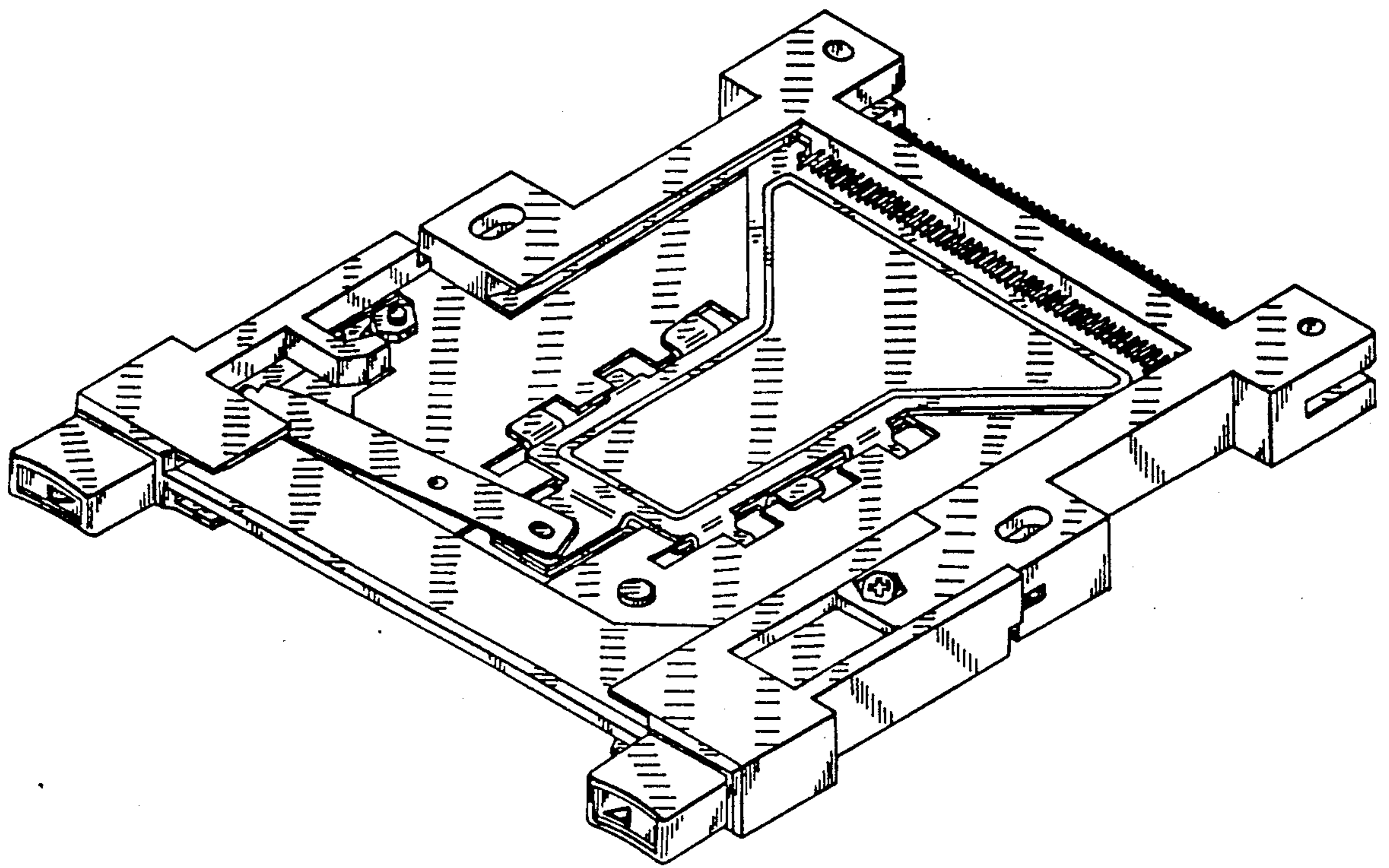


FIG. 7

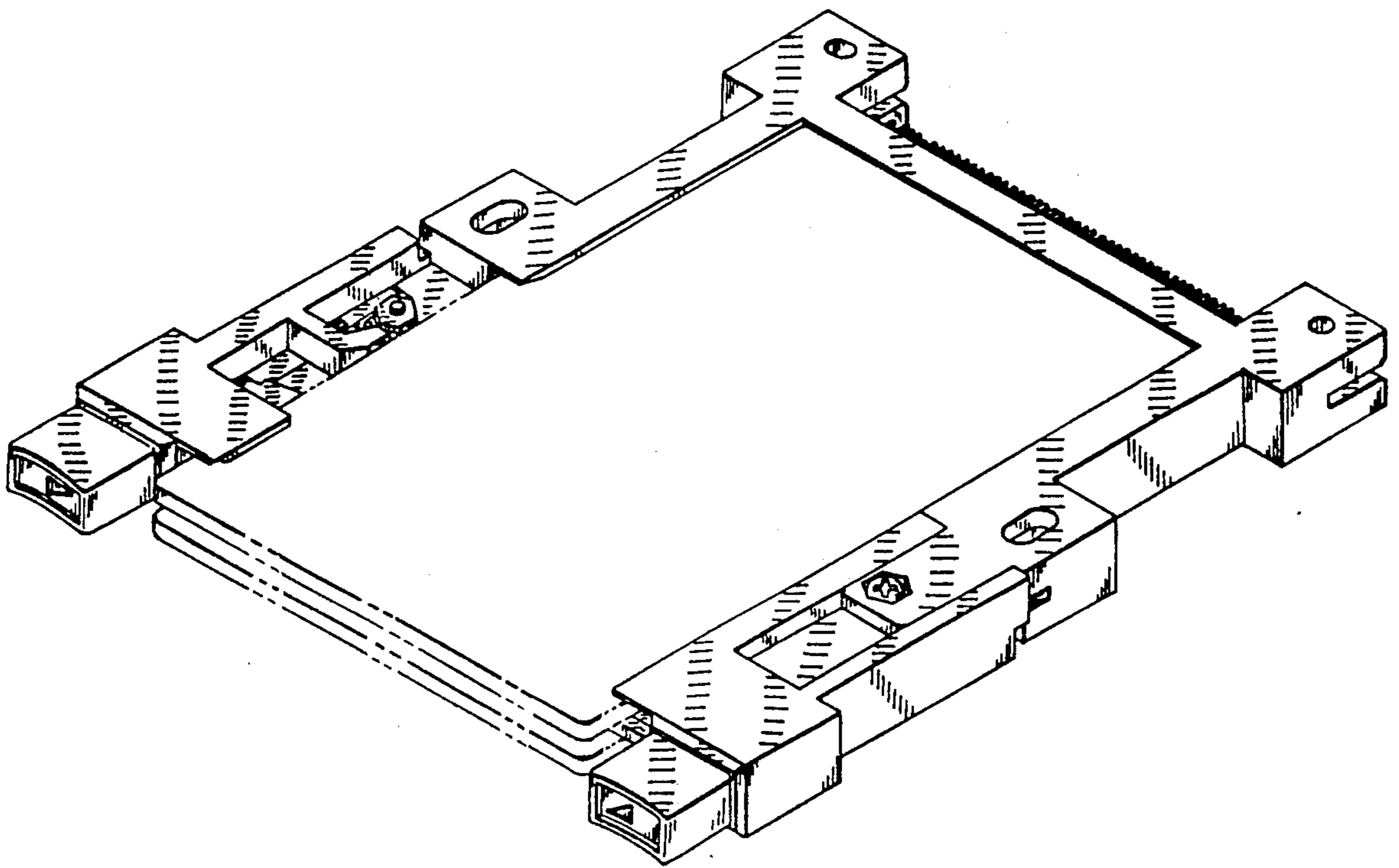


FIG. 8

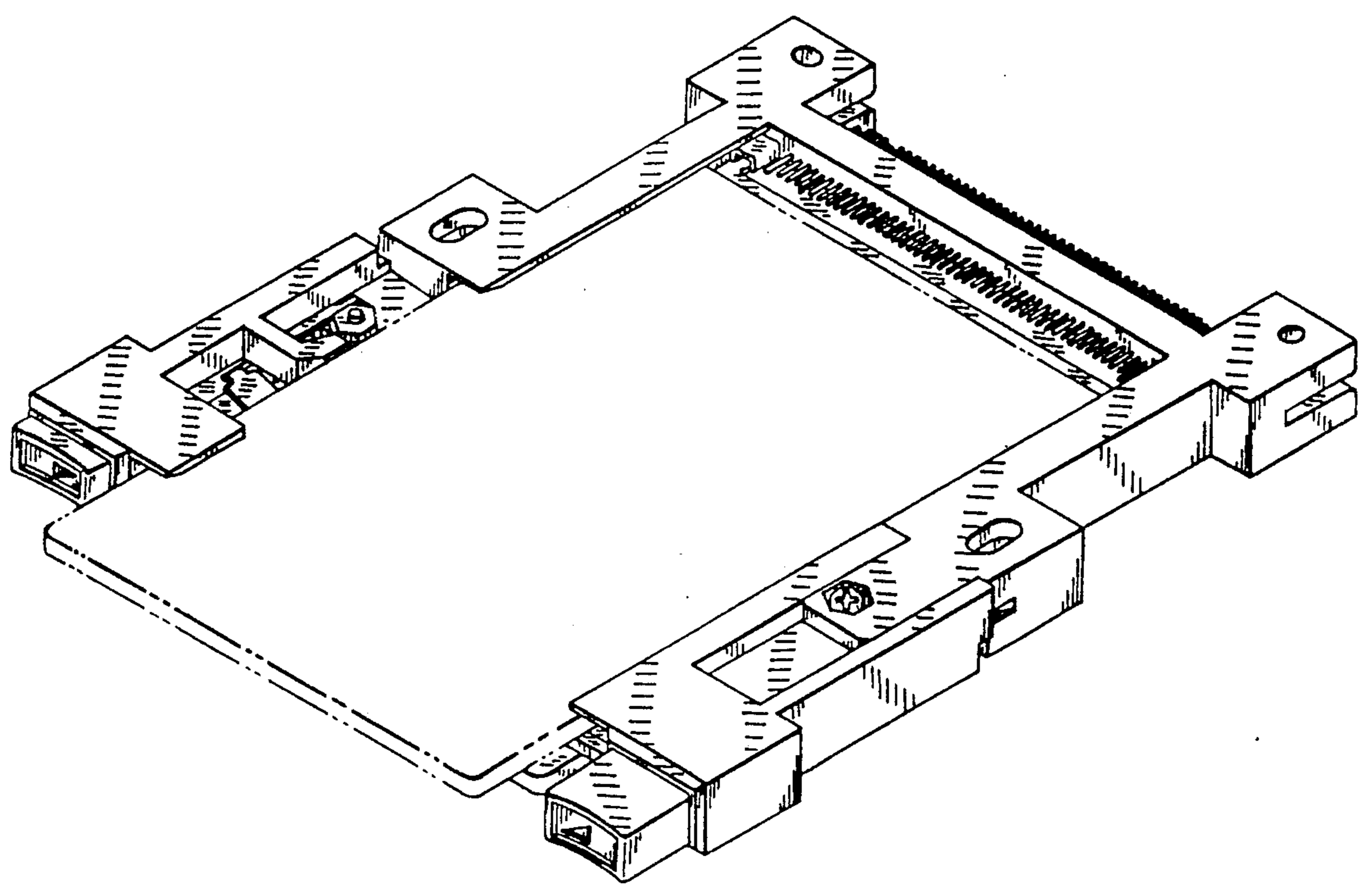


FIG. 9