

United States Patent [19]

Takenouchi et al.

[11] Patent Number: Des. 320,000

[45] Date of Patent: ** Sep. 17, 1991

[54] ELECTRICAL CONNECTOR HOUSING

[75] Inventors: Kenji Takenouchi; Toshihiko Makita; Teruhisa Norizuki, all of Shizuoka, Japan

[73] Assignee: Yazaki Corporation, Tokyo, Japan

[**] Term: 14 Years

[21] Appl. No.: 297,512

[22] Filed: Jan. 17, 1989

[30] Foreign Application Priority Data

Jul. 15, 1988 [JP] Japan 63-28044

[52] U.S. Cl. D13/146

[58] Field of Search D13/133, 146, 147; 439/246-248, 259, 282, 296, 299, 345, 350, 351-353, 357, 358, 374, 529, 533, 575, 586, 587, 592-598, 600, 656, 668, 678, 679, 680, 682, 685, 686, 691, 692, 695, 701, 723, 724, 729

[56] References Cited

U.S. PATENT DOCUMENTS

D. 312,243	11/1990	Yamamoto	D13/147
3,267,410	8/1966	Baer et al.	434/680
4,655,527	4/1987	Vandame	439/350
4,674,814	6/1987	Hoshino et al.	439/586
4,695,112	9/1987	Maston et al.	439/350

Primary Examiner—Susan J. Lucas

Assistant Examiner—J. Sincavage
Attorney, Agent, or Firm—Armstrong, Nikaido, Marmelstein, Kubovcik & Murray

[57] CLAIM

The ornamental design for a electrical connector housing, as shown and described.

DESCRIPTION

FIG. 1 is a top plan view of an electrical connector housing showing our new design; FIG. 2 is a front elevational view thereof; FIG. 3 is a bottom plan view thereof; FIG. 4 is a rear elevational view thereof; FIG. 5 is a right side elevational view thereof, the left side elevational view thereof being a mirror image; FIG. 6 is a cross-sectional view thereof taken along line 6—6 of FIG. 2; FIG. 7 is a cross-sectional view thereof taken along line 7—7 of FIG. 2; FIG. 8 is a cross-sectional view thereof taken along line 8—8 of FIG. 5; FIG. 9 is a cross-sectional view thereof taken along line 9—9 of FIG. 2; FIG. 10 is a cross-sectional view thereof taken along line 10—10 of FIG. 2; FIG. 11 is a top, rear and left side perspective view thereof showing the parts separated for the purpose of a complete disclosure.

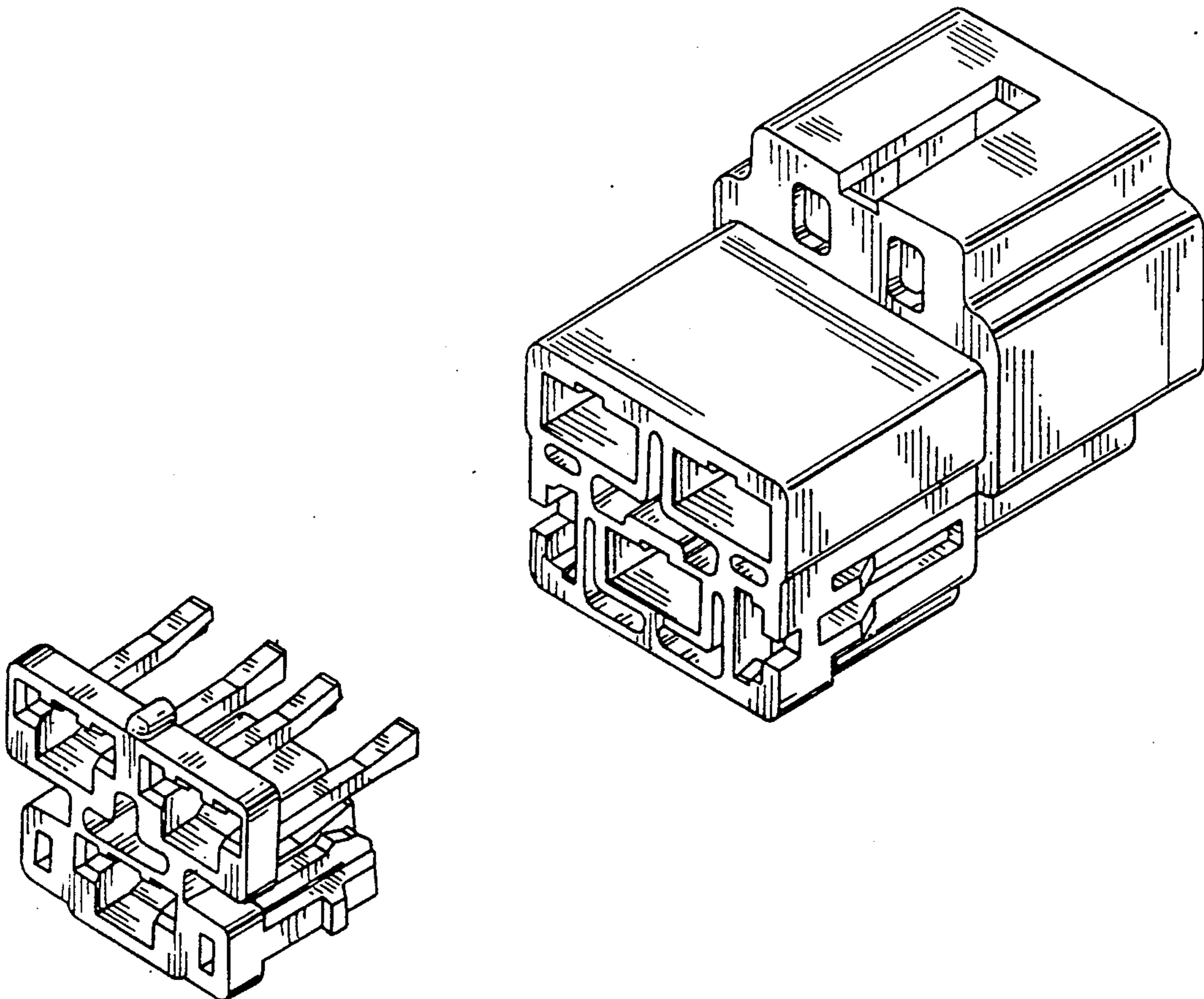


Fig. 1

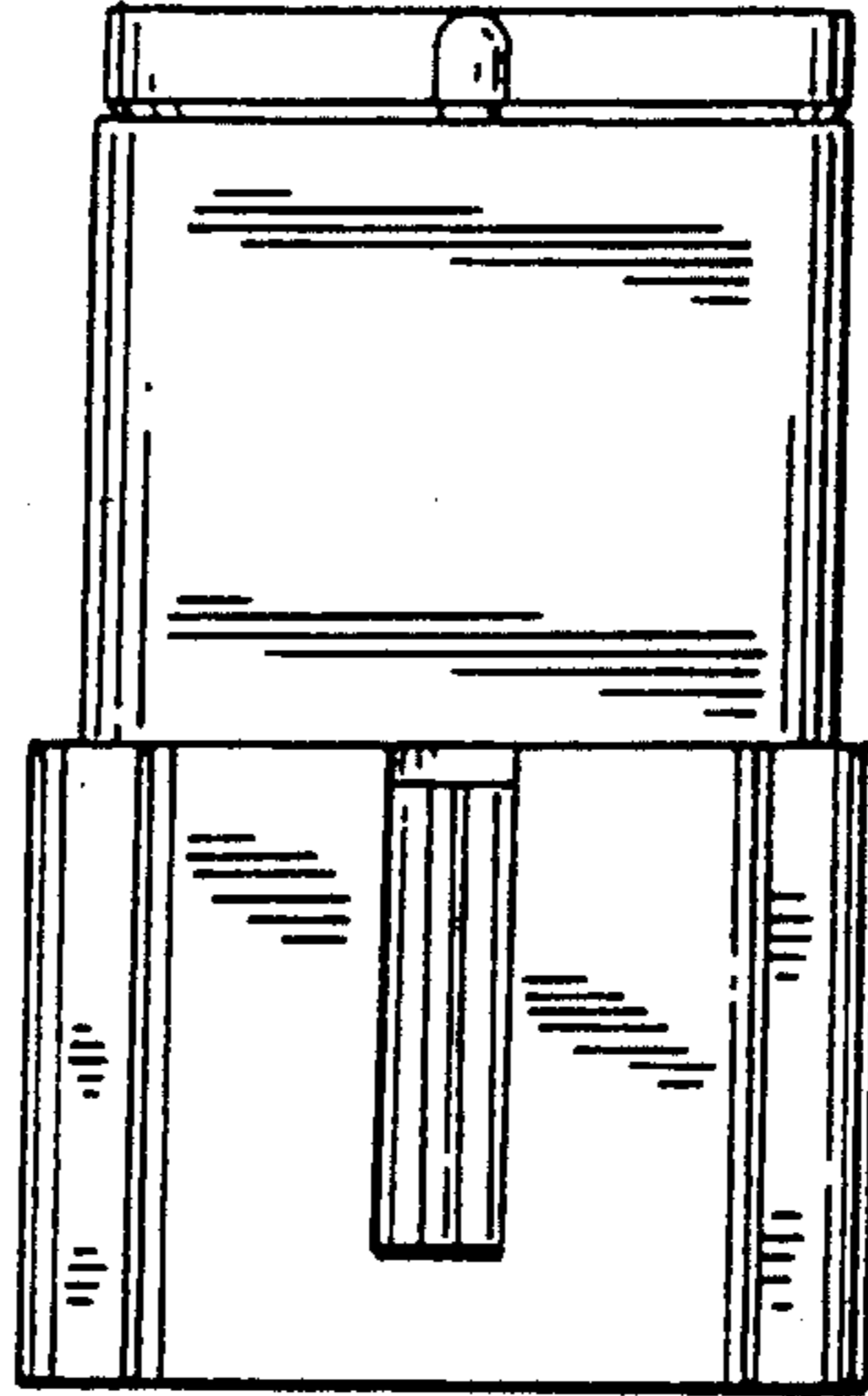


Fig. 2

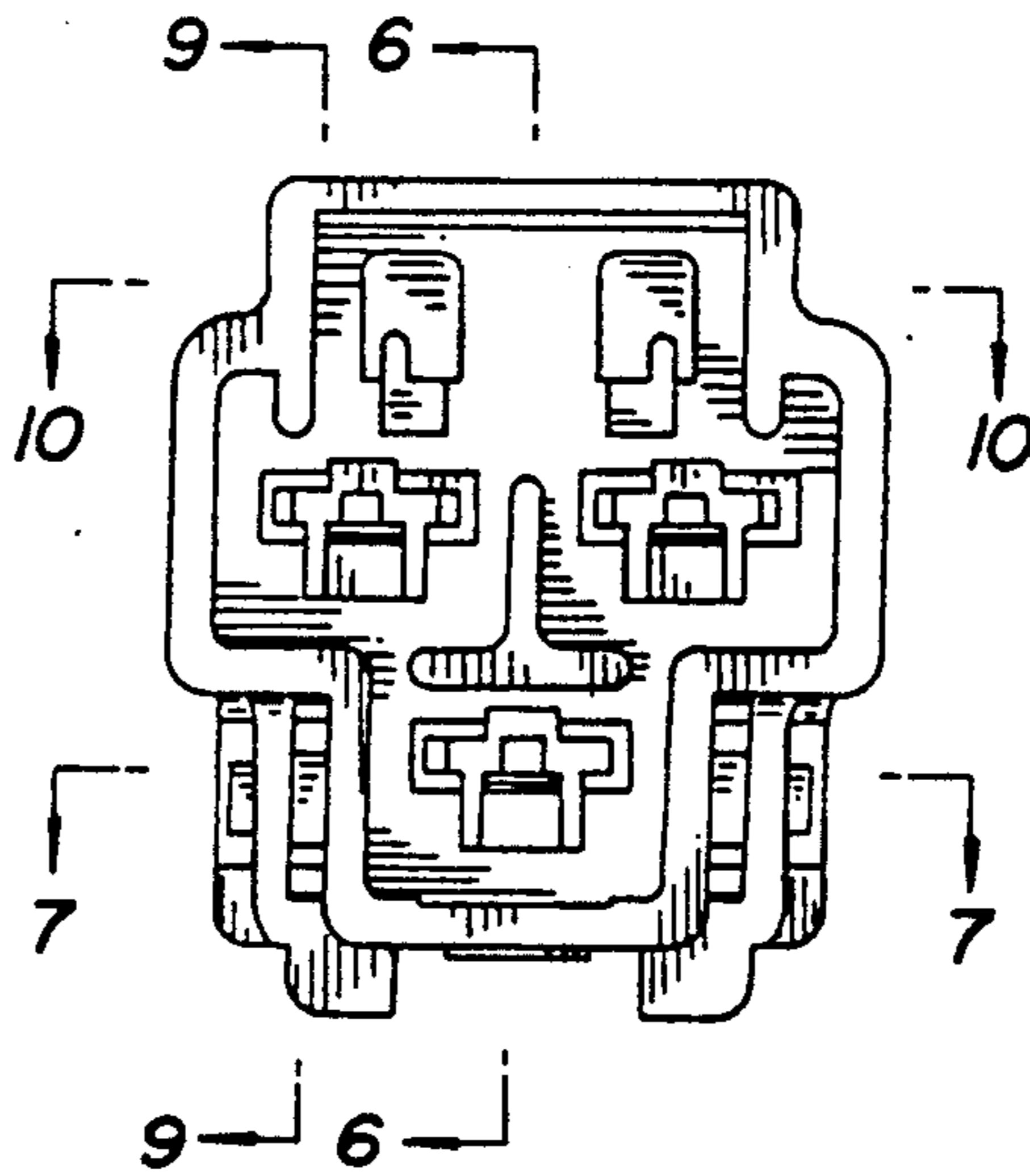


Fig. 3

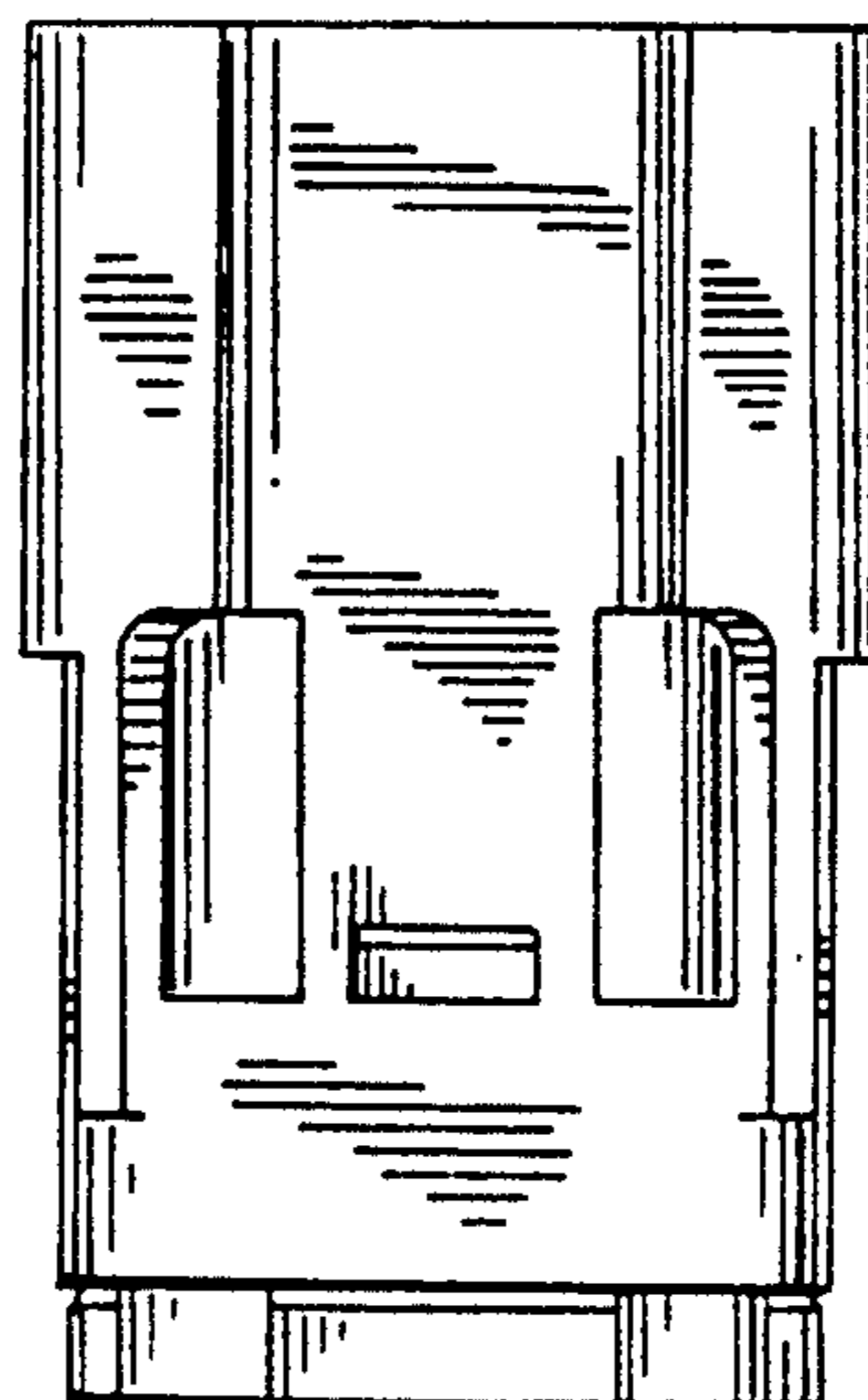


Fig. 4

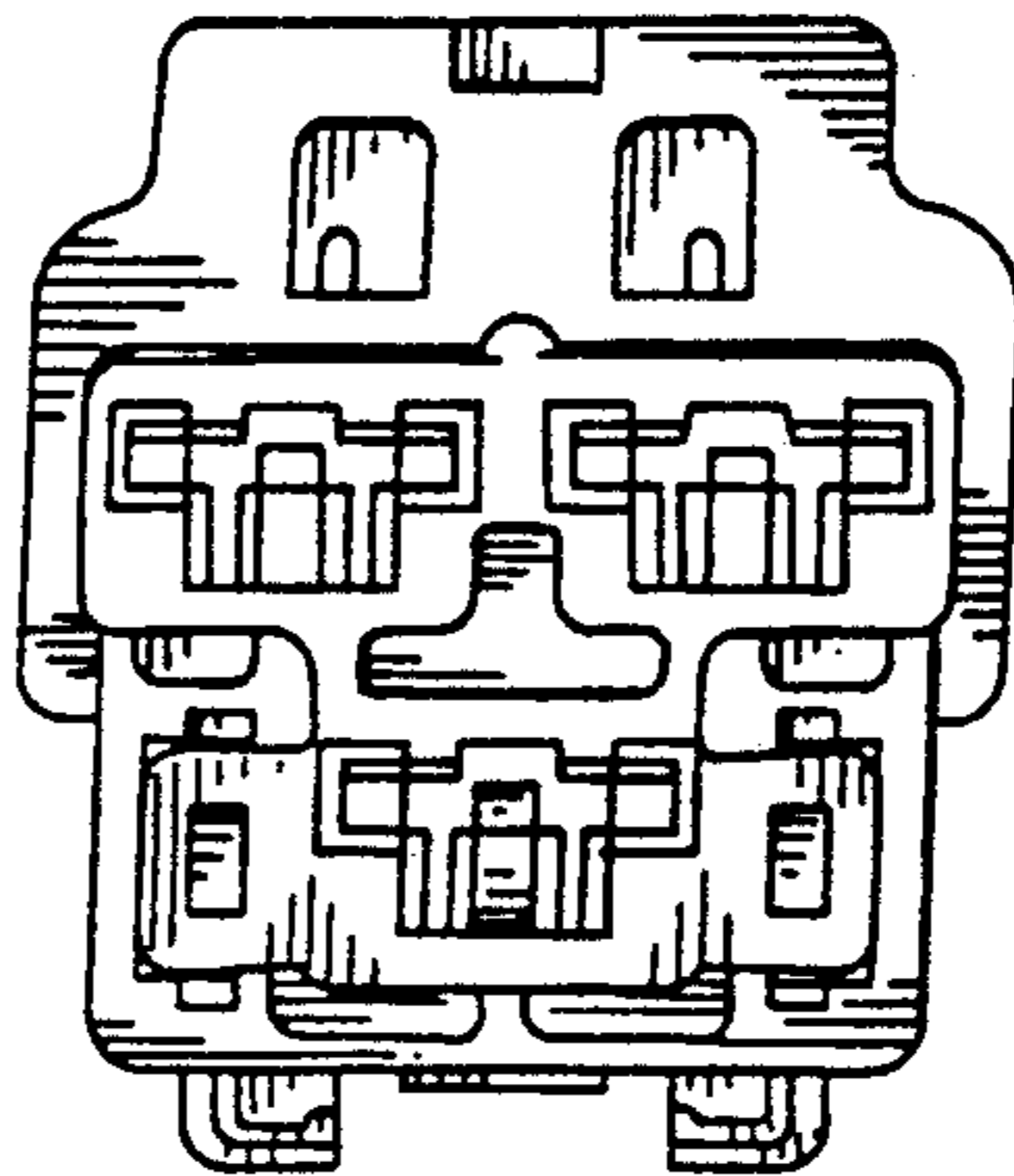


Fig. 5

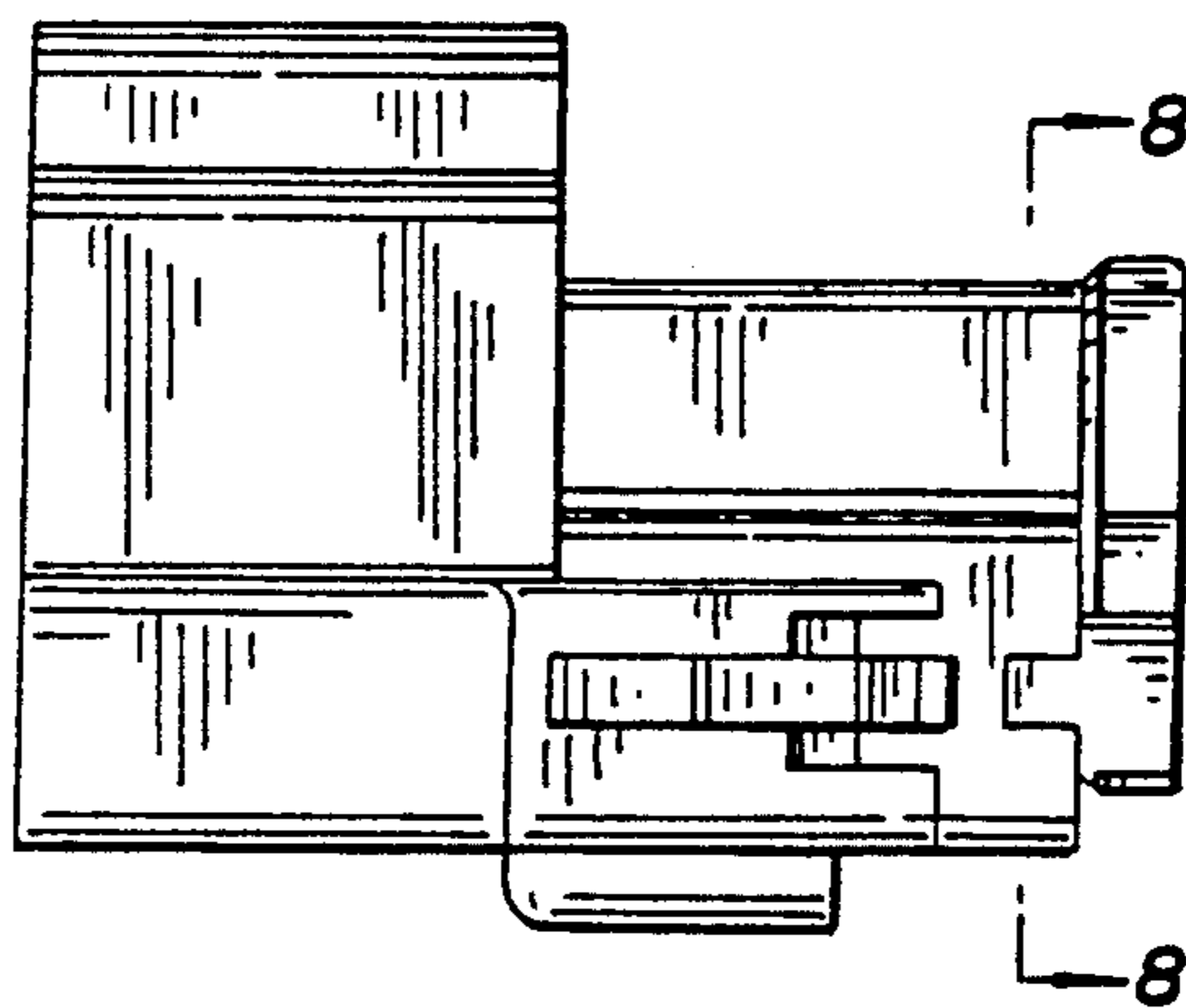


Fig. 6

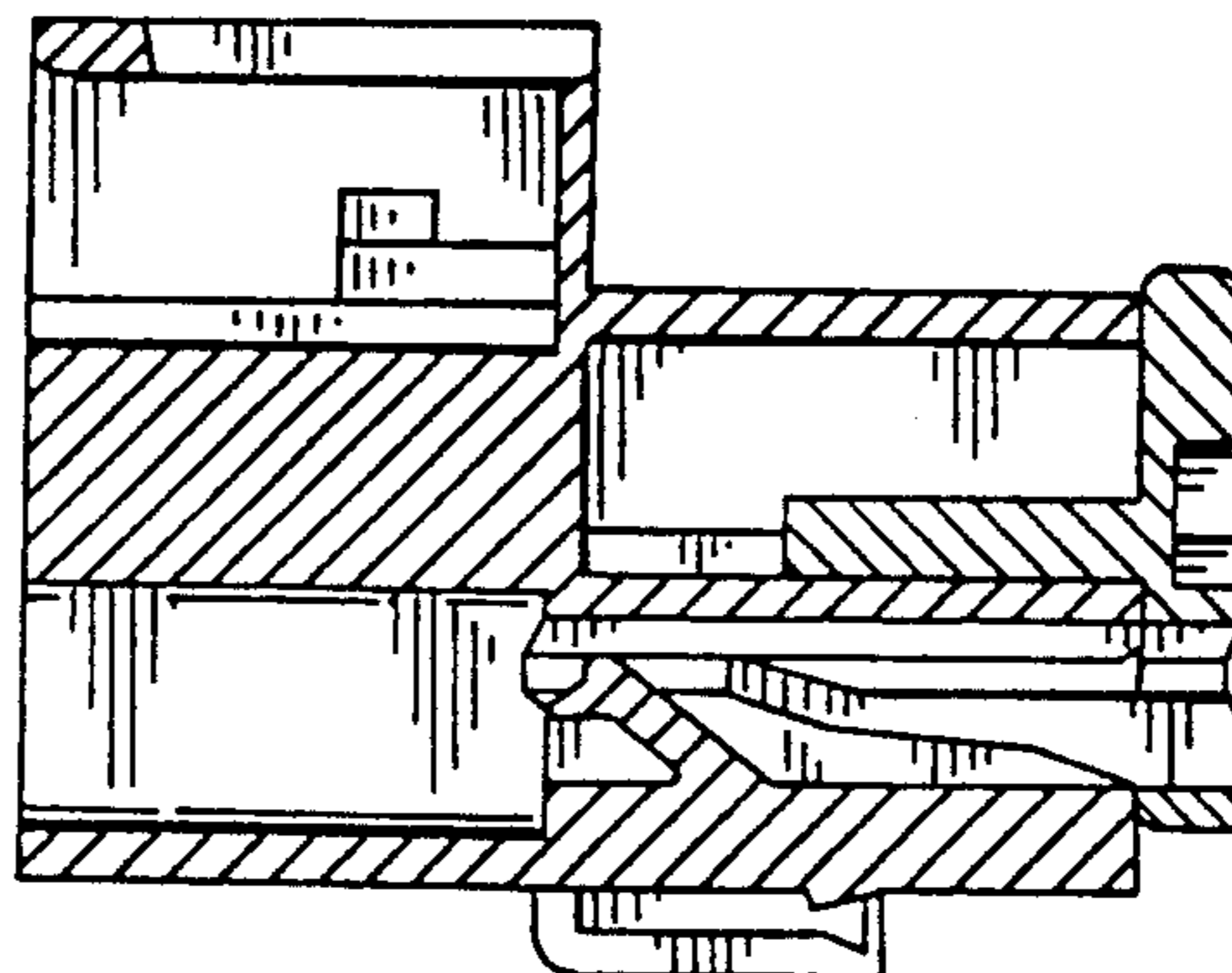


Fig. 7

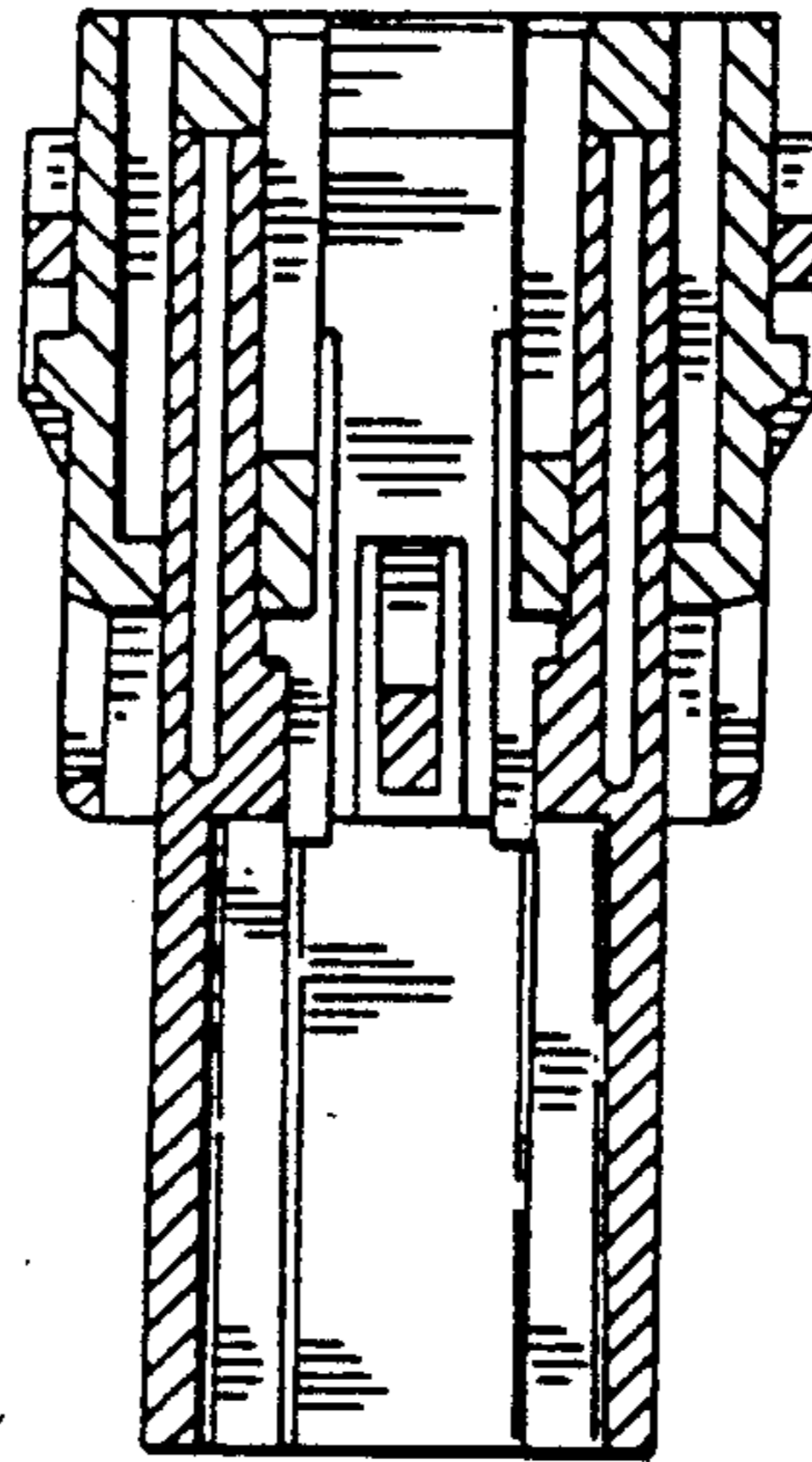


Fig. 8

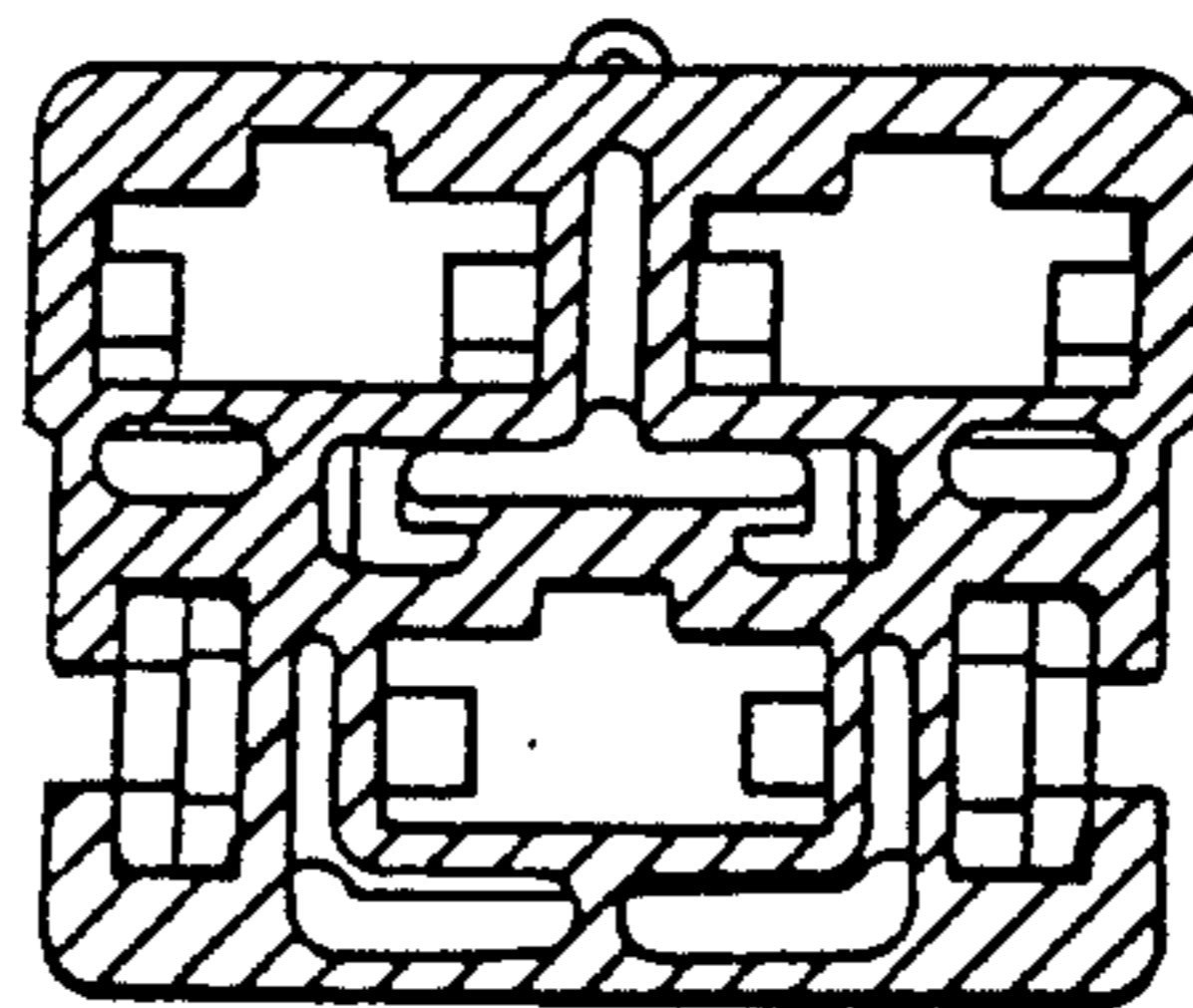


Fig.9

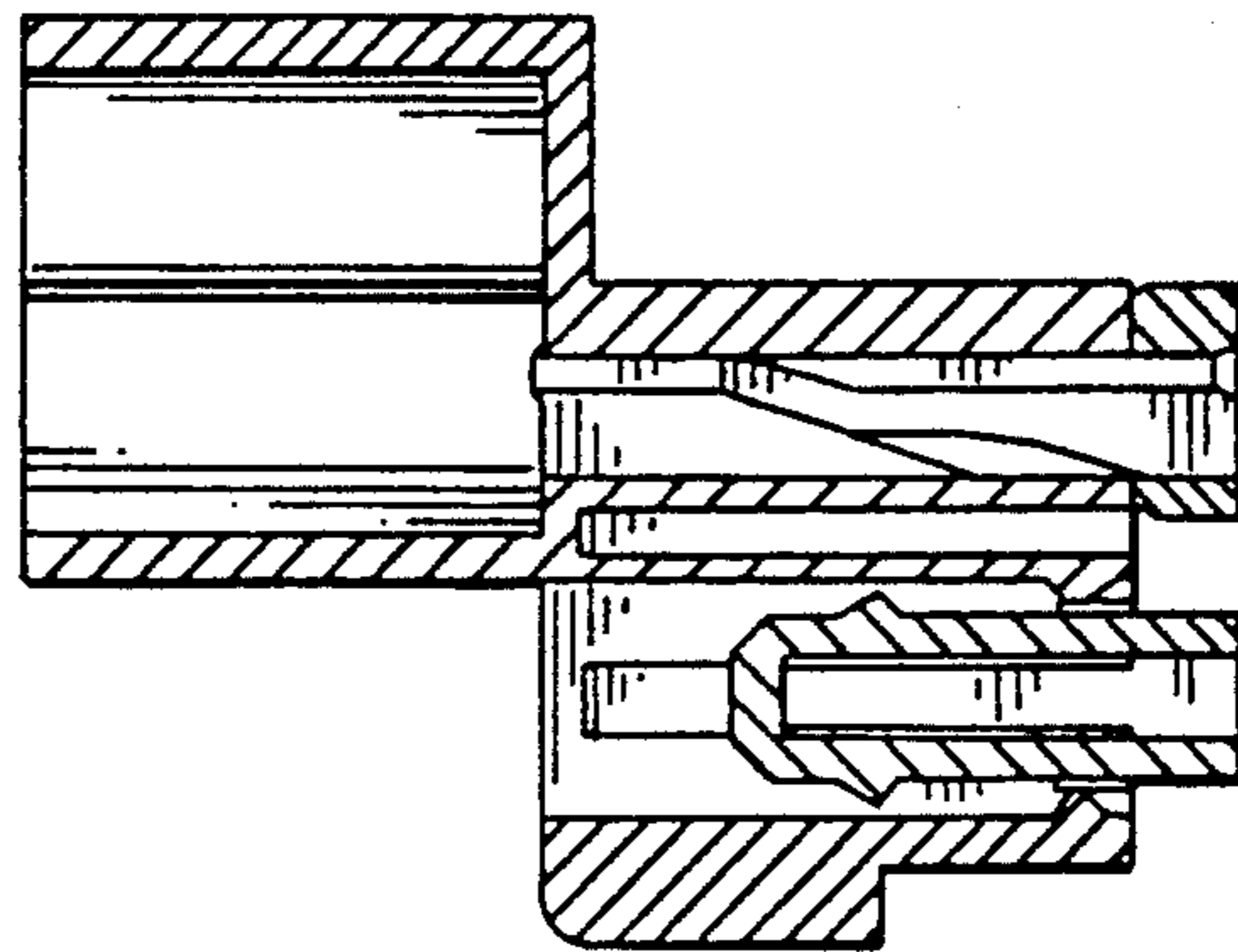
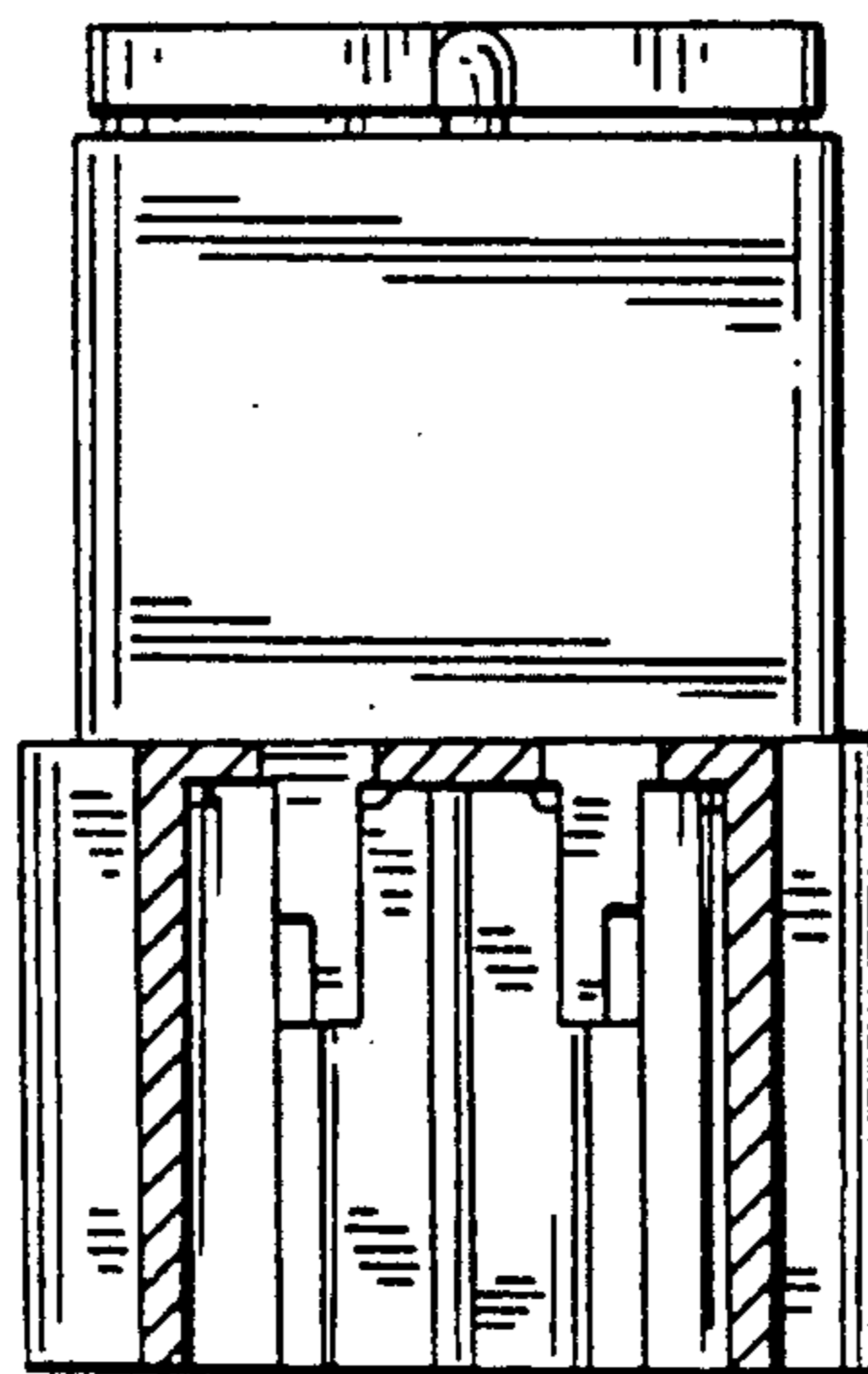


Fig.10



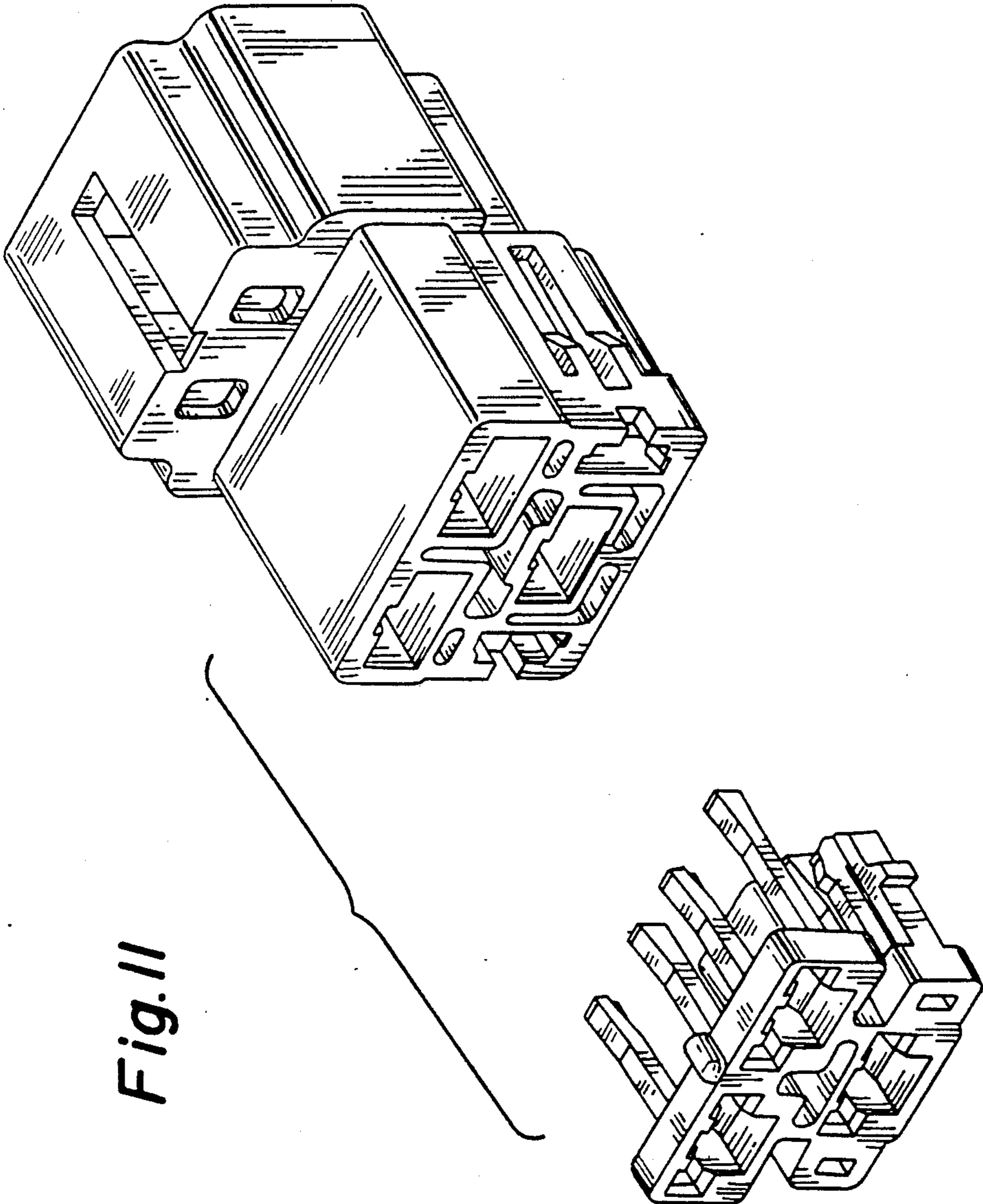


Fig. II