

United States Patent [19]
Ohkura et al.

[11] **Patent Number: Des. 319,999**
 [45] **Date of Patent: ** Sep. 17, 1991**

- [54] **ELECTRICAL CONNECTOR**
- [75] **Inventors: Kenzi Ohkura, Hisai; Sho-Ichi Sugata, Suzuka, both of Japan**
- [73] **Assignee: Sumitomo Wiring Systems, Ltd., Suzuka, Japan**
- [**] **Term: 14 Years**
- [21] **Appl. No.: 142,905**
- [22] **Filed: Jan. 11, 1988**
- [30] **Foreign Application Priority Data**
 Jul. 10, 1987 [JP] Japan 62-28168
- [52] **U.S. Cl. D13/146**
- [58] **Field of Search D13/133, 146; 439/344, 439/353, 357, 660, 682, 685, 686, 687, 695, 696, 712, 713, 350, 600, 701, 748**
- [56] **References Cited**
U.S. PATENT DOCUMENTS
 3,501,736 3/1970 Norris 439/353
 4,655,527 4/1987 Vandame 439/350

- 4,682,839 7/1987 Bryce 439/701 X
 4,690,478 9/1987 Rahrig et al. 439/748 X
 4,772,231 9/1988 Hayes 439/600 X

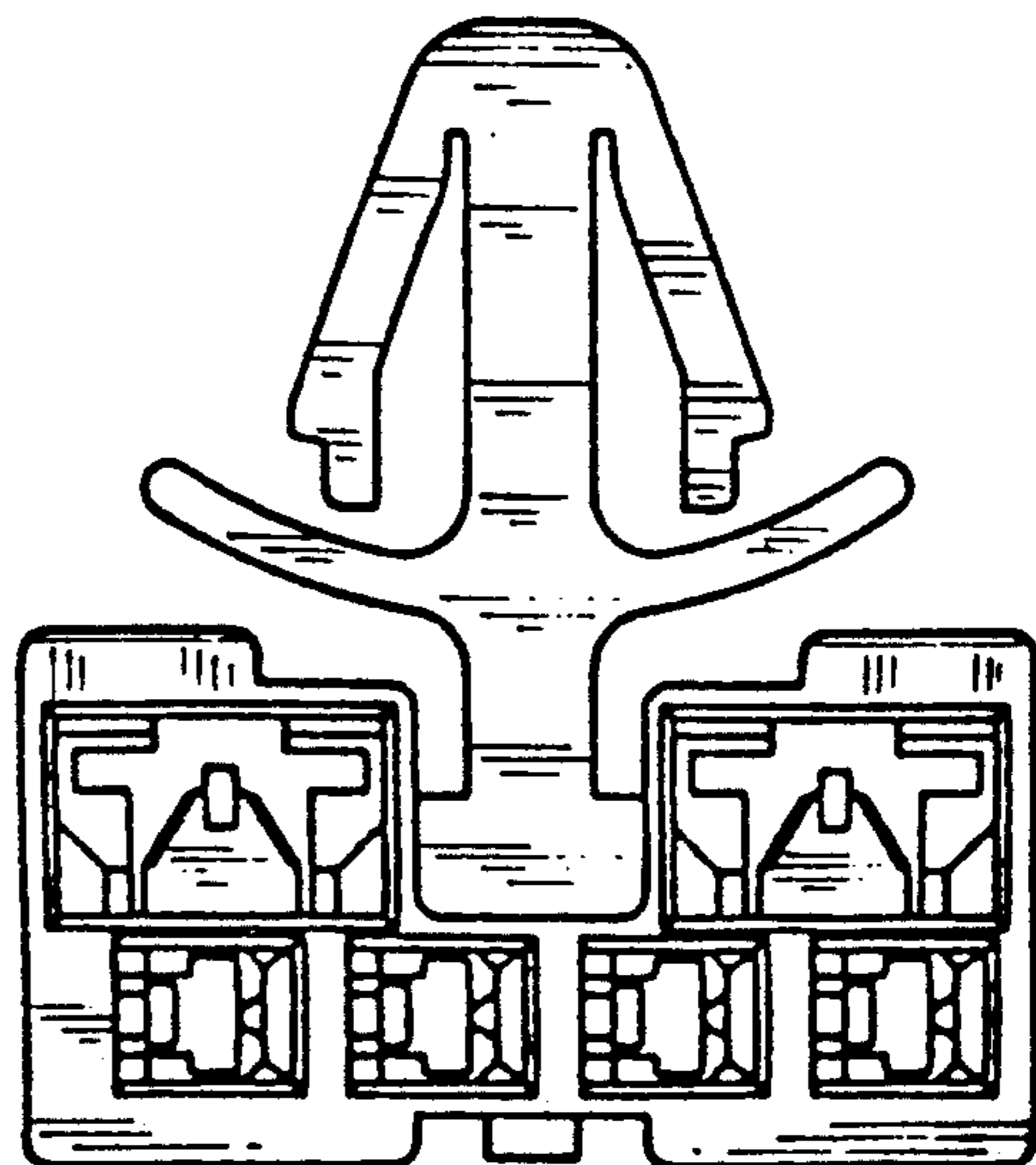
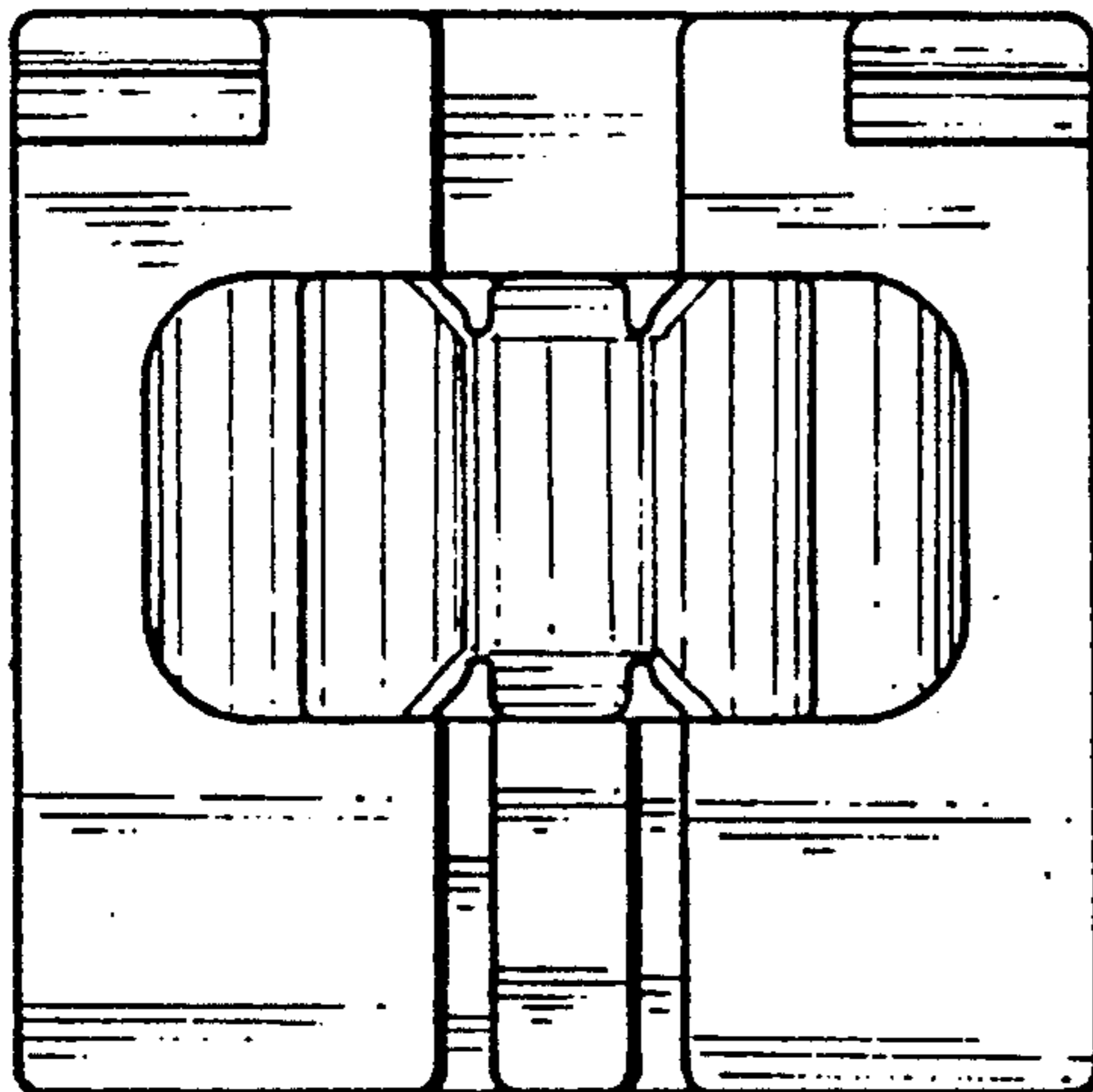
Primary Examiner—Susan J. Lucas
Assistant Examiner—Joel Sincavage
Attorney, Agent, or Firm—Liddy Sullivan Galway Begler & Peroff

[57] **CLAIM**

The ornamental design for an electrical connector, as shown and described.

DESCRIPTION

FIG. 1 is a top plan view of an electrical connector showing our new design;
 FIG. 2 is a rear elevational view thereof;
 FIG. 3 is a bottom plan view thereof;
 FIG. 4 is a front elevational view thereof;
 FIG. 5 is a sectional view taken on line 5—5 of FIG. 4;
 FIG. 6 is a sectional view taken on line 6—6 of FIG. 4;
 FIG. 7 is a sectional view taken on line 7—7 of FIG. 4;
 FIG. 8 is a right side elevational view thereof, the left side elevational view being a mirror image.



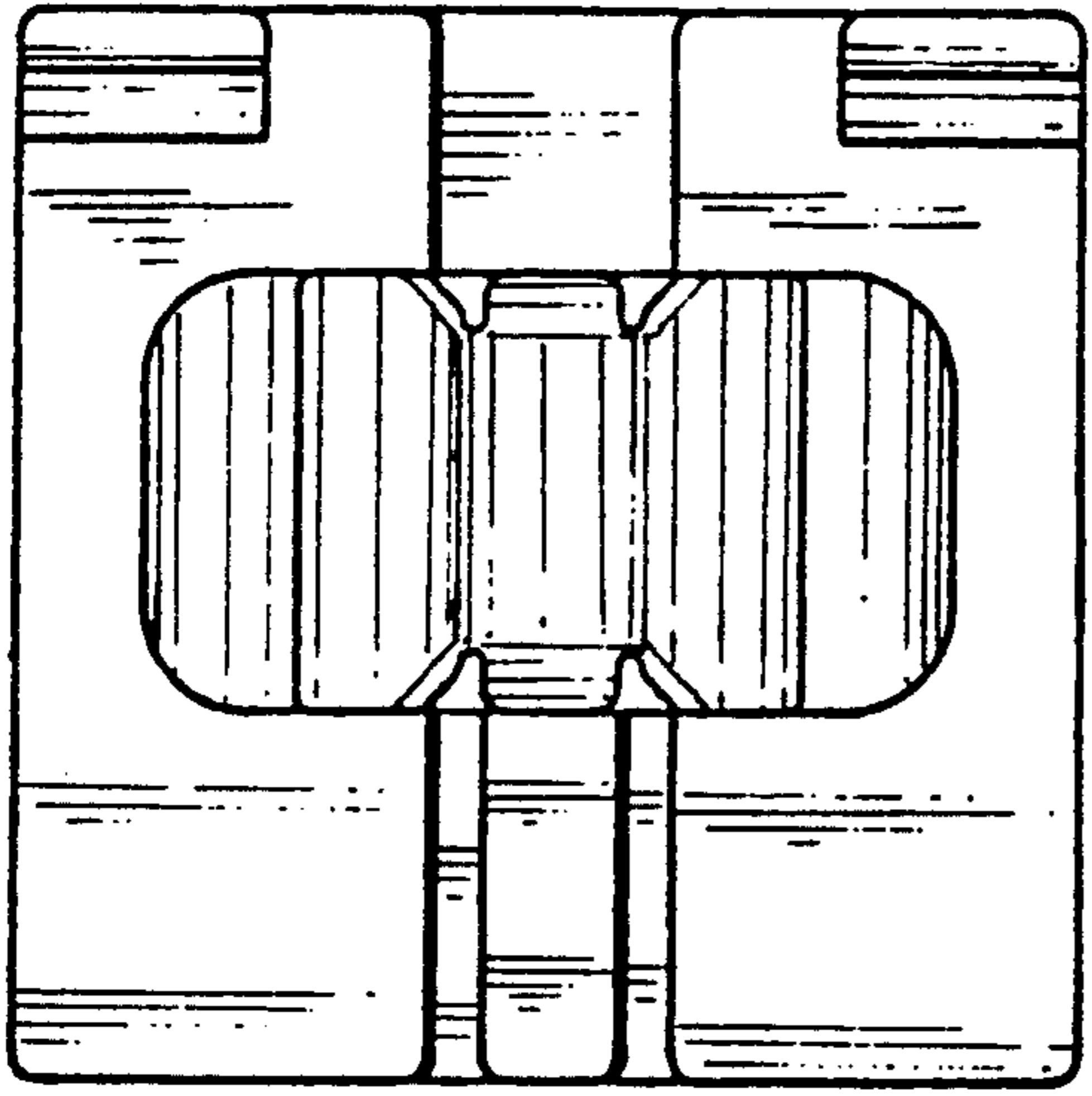


FIG. 1

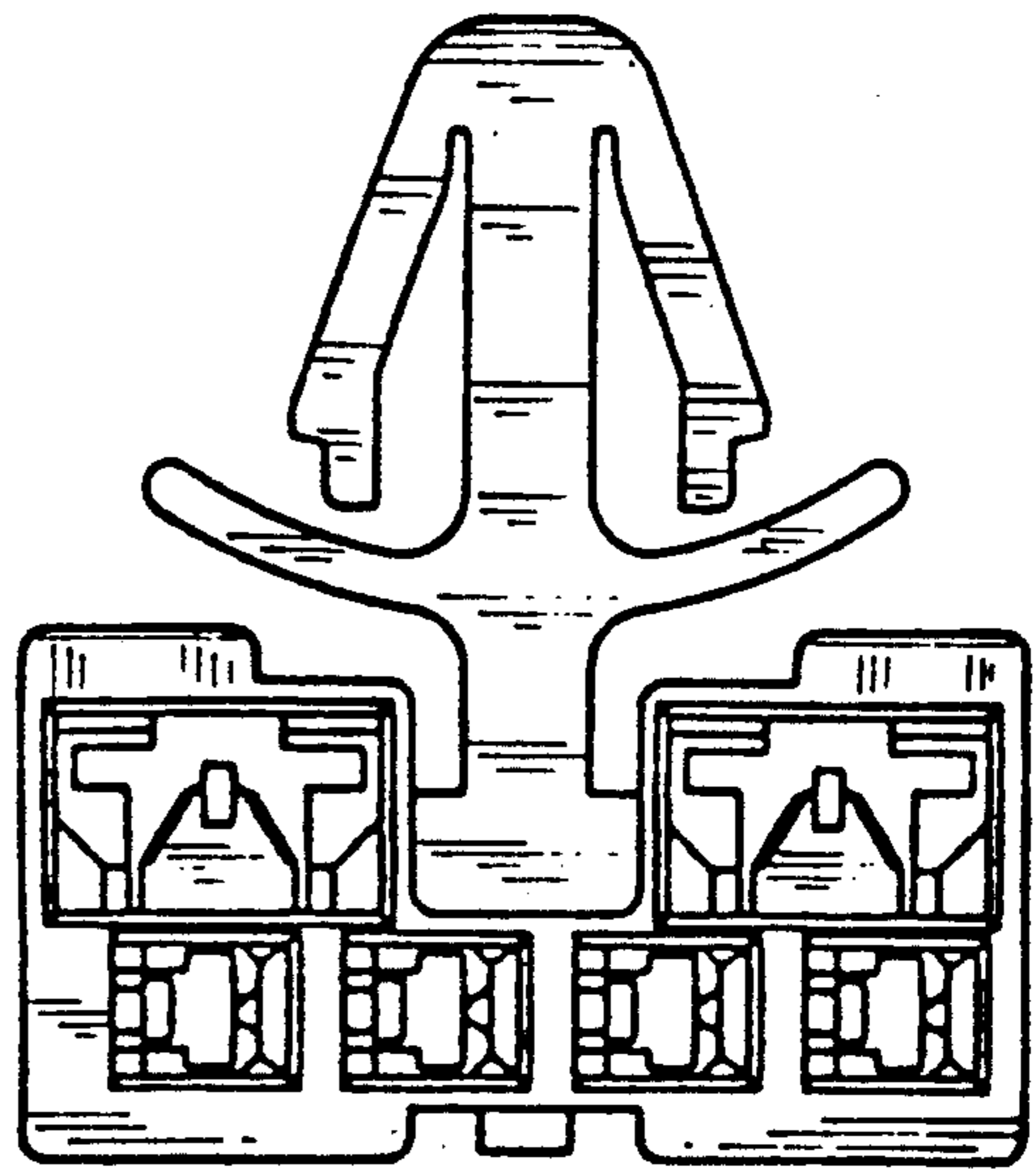


FIG. 2

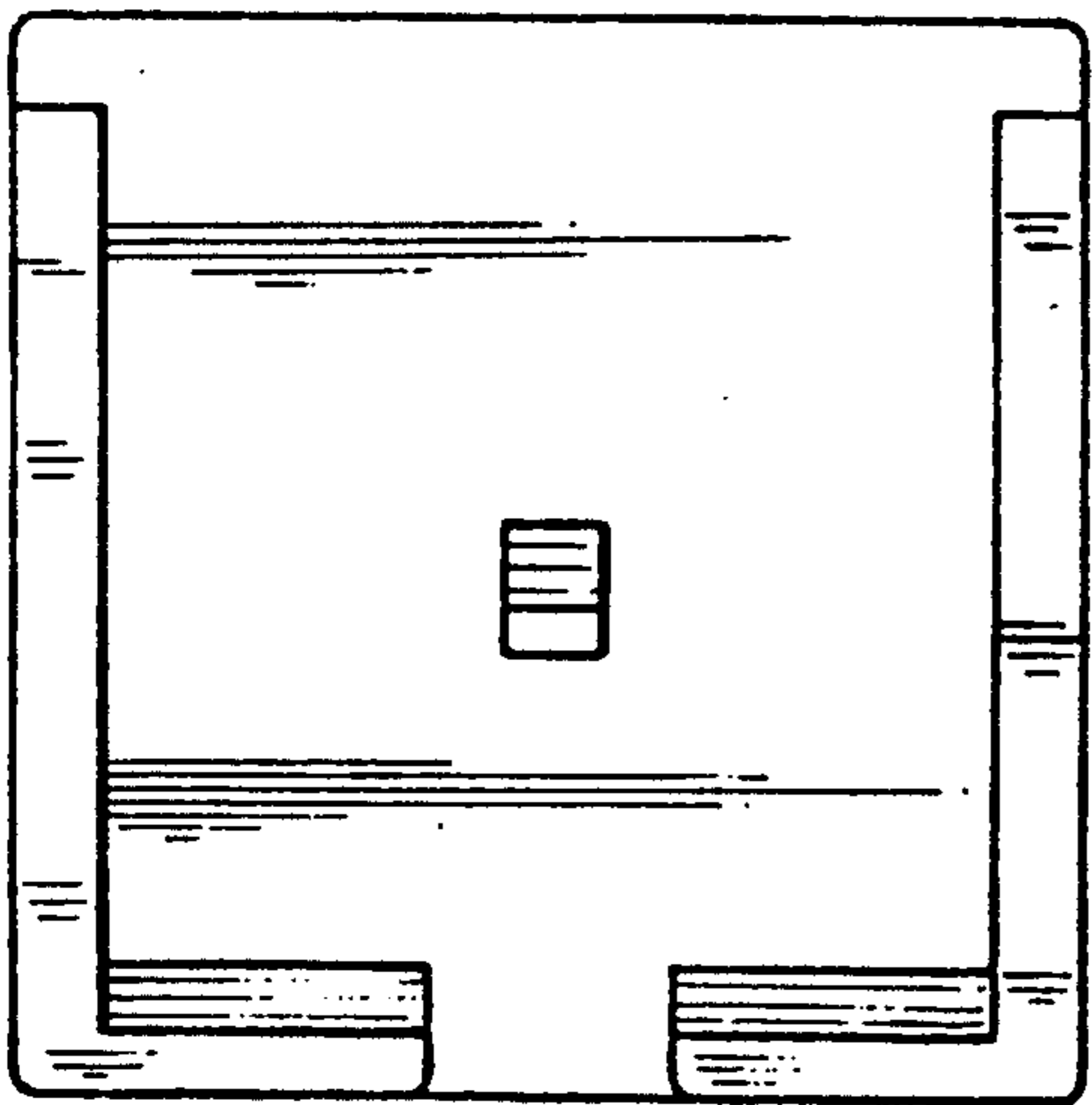


FIG. 3

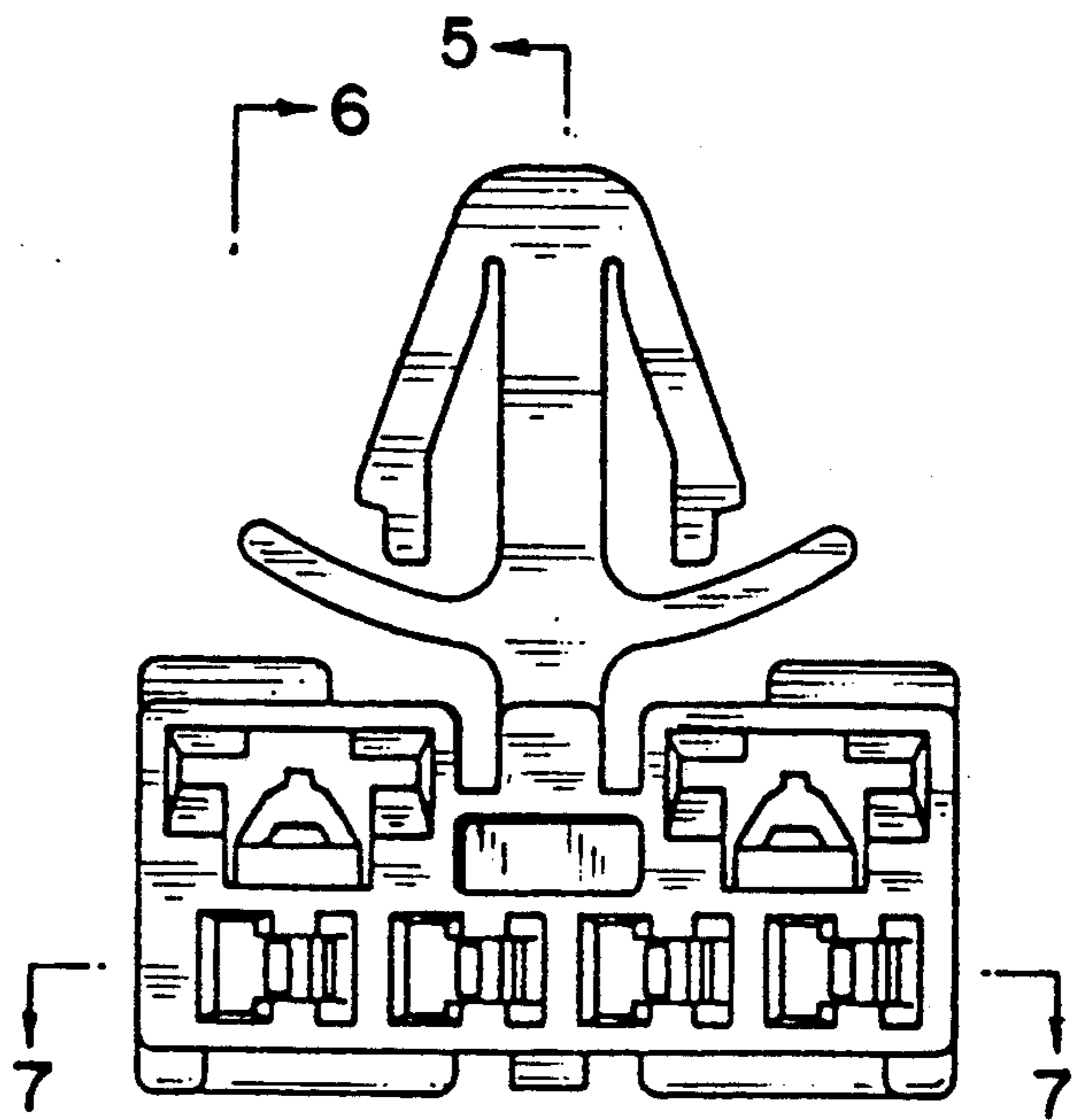


FIG. 4

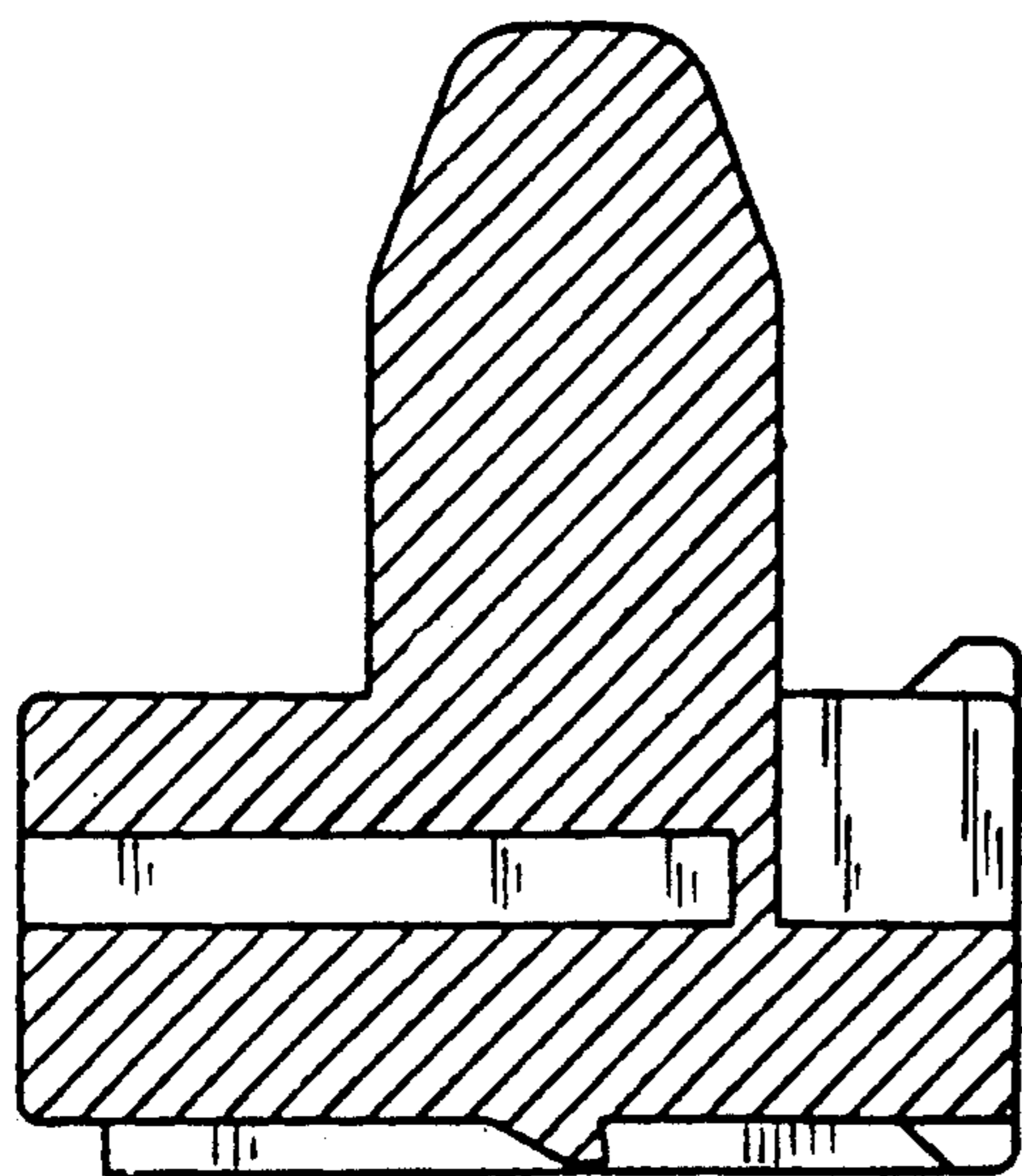


FIG. 5

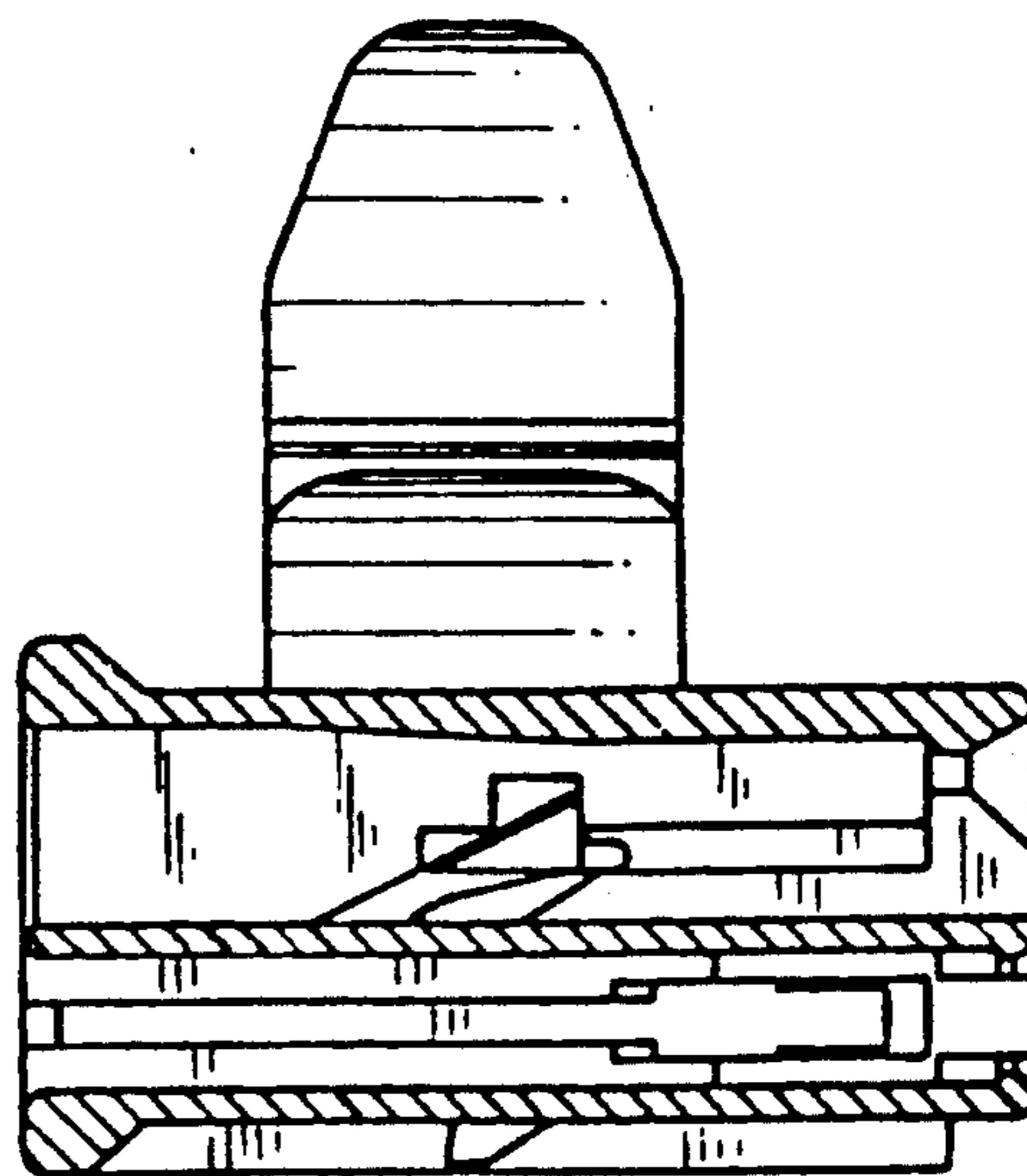


FIG. 6

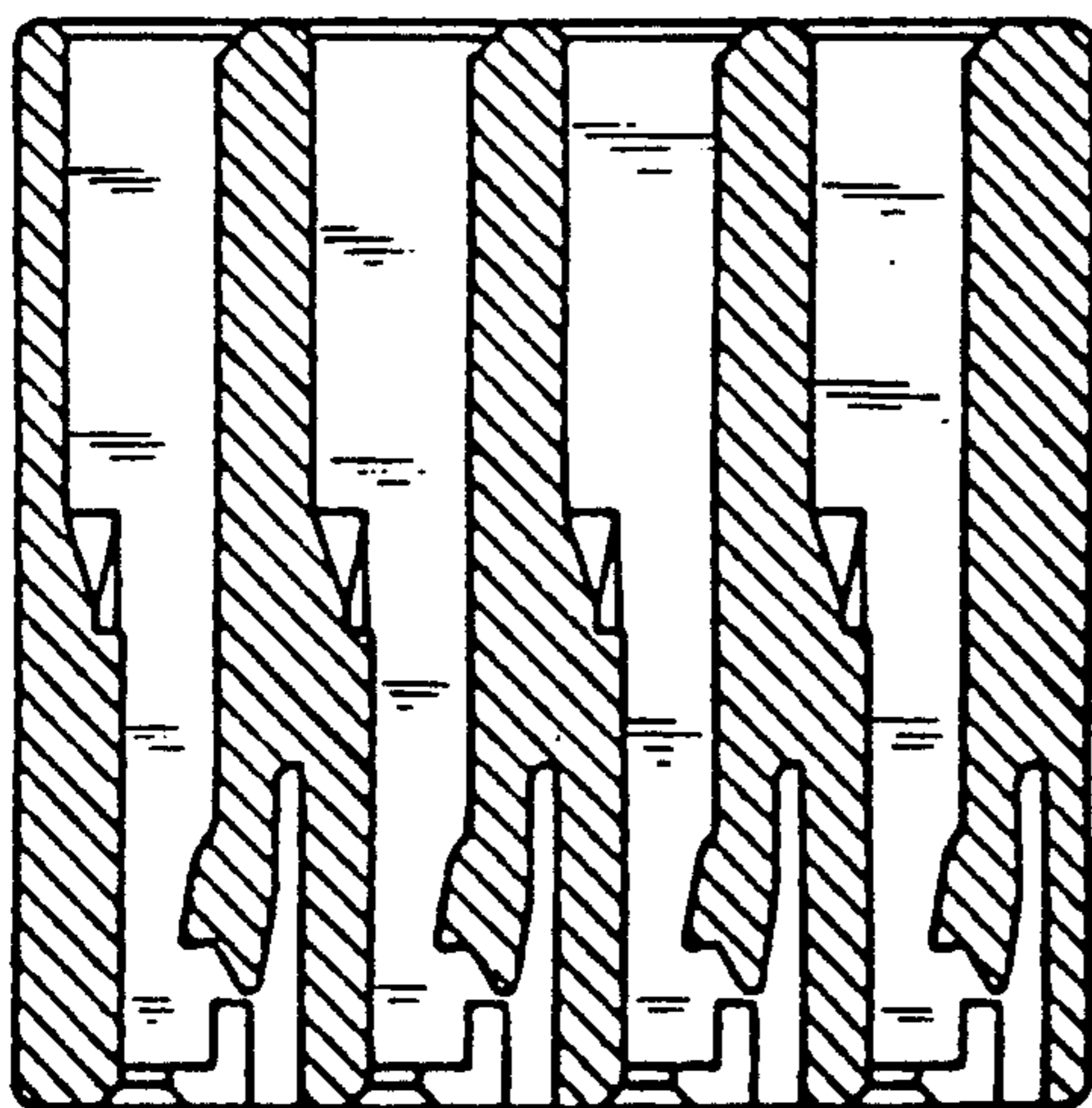


FIG. 7

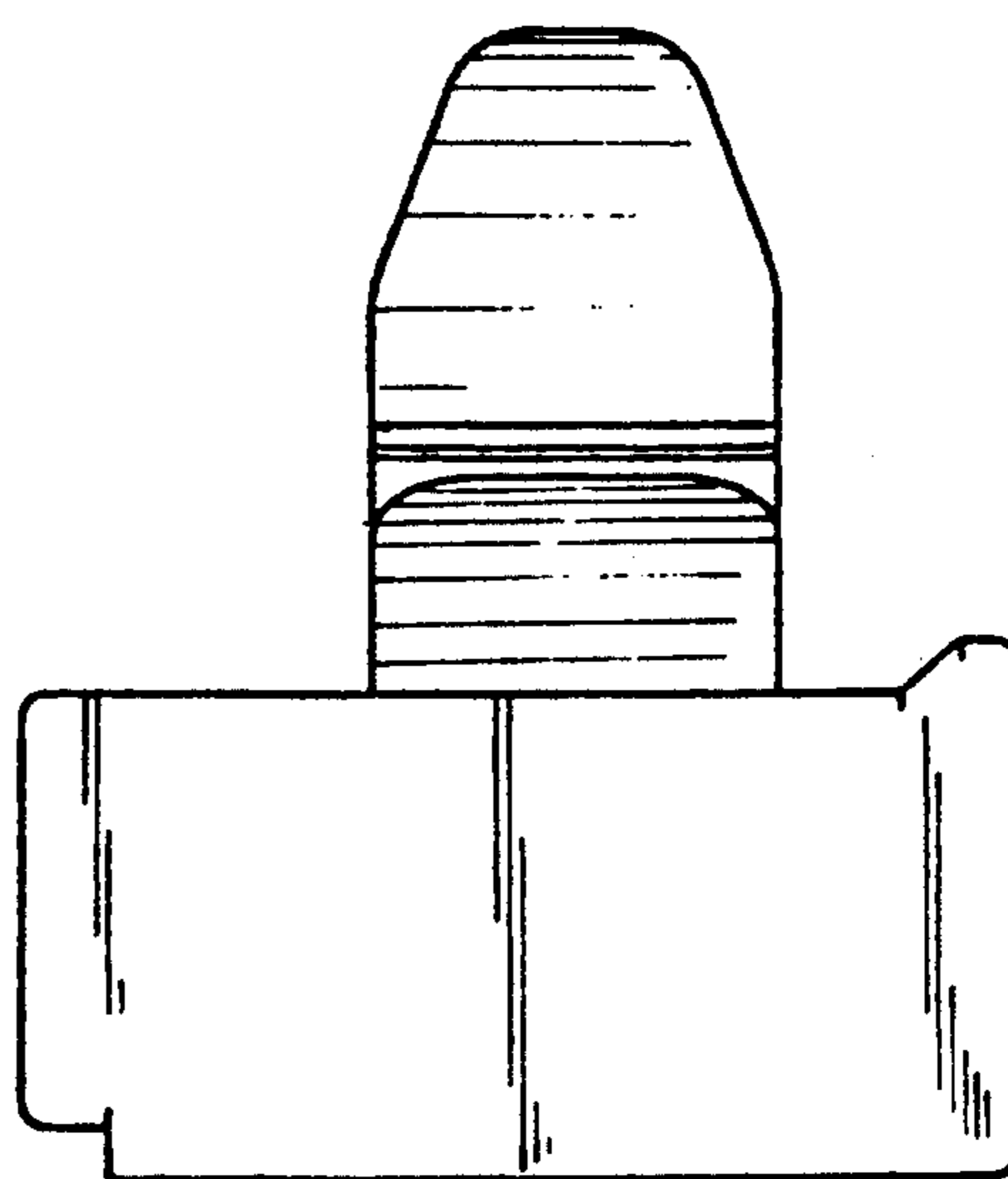


FIG. 8