

[54] HOUSING FOR AN ELECTRICAL CONNECTOR
[75] Inventor: Seiji Kozono, Shizuoka, Japan
[73] Assignee: Yazaki Corporation, Tokyo, Japan
[**] Term: 14 Years
[21] Appl. No.: 388,225
[22] Filed: Aug. 2, 1989

[30] Foreign Application Priority Data
Feb. 8, 1989 [JP] Japan 1-4140
[52] U.S. Cl. D13/133
[58] Field of Search D13/146, 147; 439/147,
439/246, 247, 282, 292, 293, 345, 350, 352, 353,
357, 358, 577, 586, 587, 595, 598, 600, 680, 686,
695, 701, 724

[56] References Cited
U.S. PATENT DOCUMENTS
D. 252,082 6/1979 Voelkert D13/146
3,518,617 6/1970 Bosworth et al. 439/598 X
4,046,452 9/1977 Cassarly 439/701 X

FOREIGN PATENT DOCUMENTS
1196402 11/1985 Canada 439/271

OTHER PUBLICATIONS

Utility Model Publication No. 59-29351. Located in 439-352.

Primary Examiner—Susan J. Lucas
Assistant Examiner—J. Sincavage
Attorney, Agent, or Firm—Sughrue, Mion, Zinn
Macpeak & Seas

[57] CLAIM

The ornamental design for a housing for an electrical connector, as shown and described.

DESCRIPTION

FIG. 1 is a rear, top and left side perspective view for a housing for an electrical connector showing my new design;
FIG. 2 is a front elevational view thereof;
FIG. 3 is a rear elevational view thereof;
FIG. 4 is a left side elevational view thereof, the opposite side being a mirror image thereof;
FIG. 5 is a top plan view thereof;
FIG. 6 is a bottom plan view thereof; and
FIG. 7 is a front top and right perspective view thereof shown on a reduced scale with other components in exploded relationship. The broken line showing of the other components is included for the purpose of illustrating environmental elements only and forms no part of the claimed design.

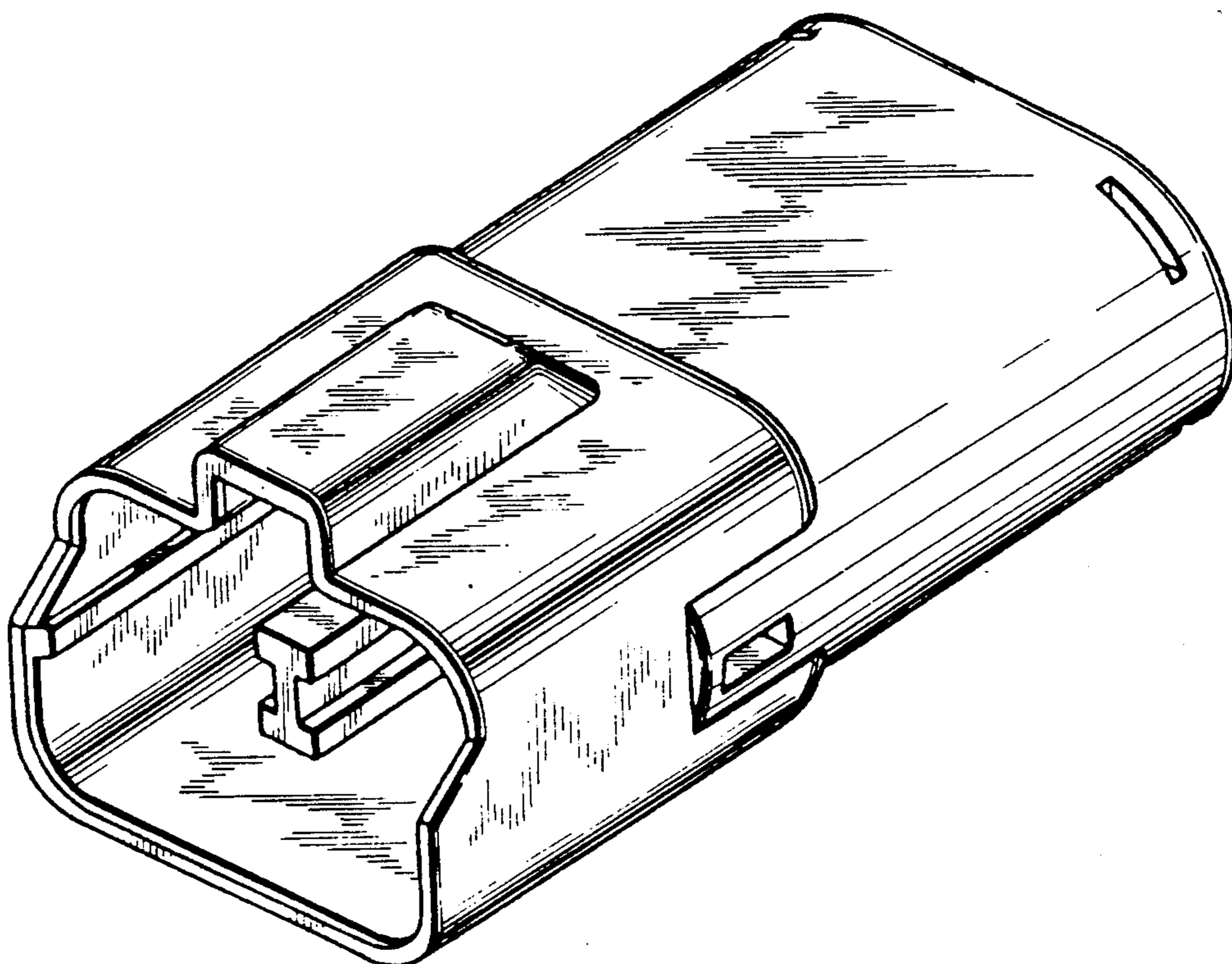


FIG. 1

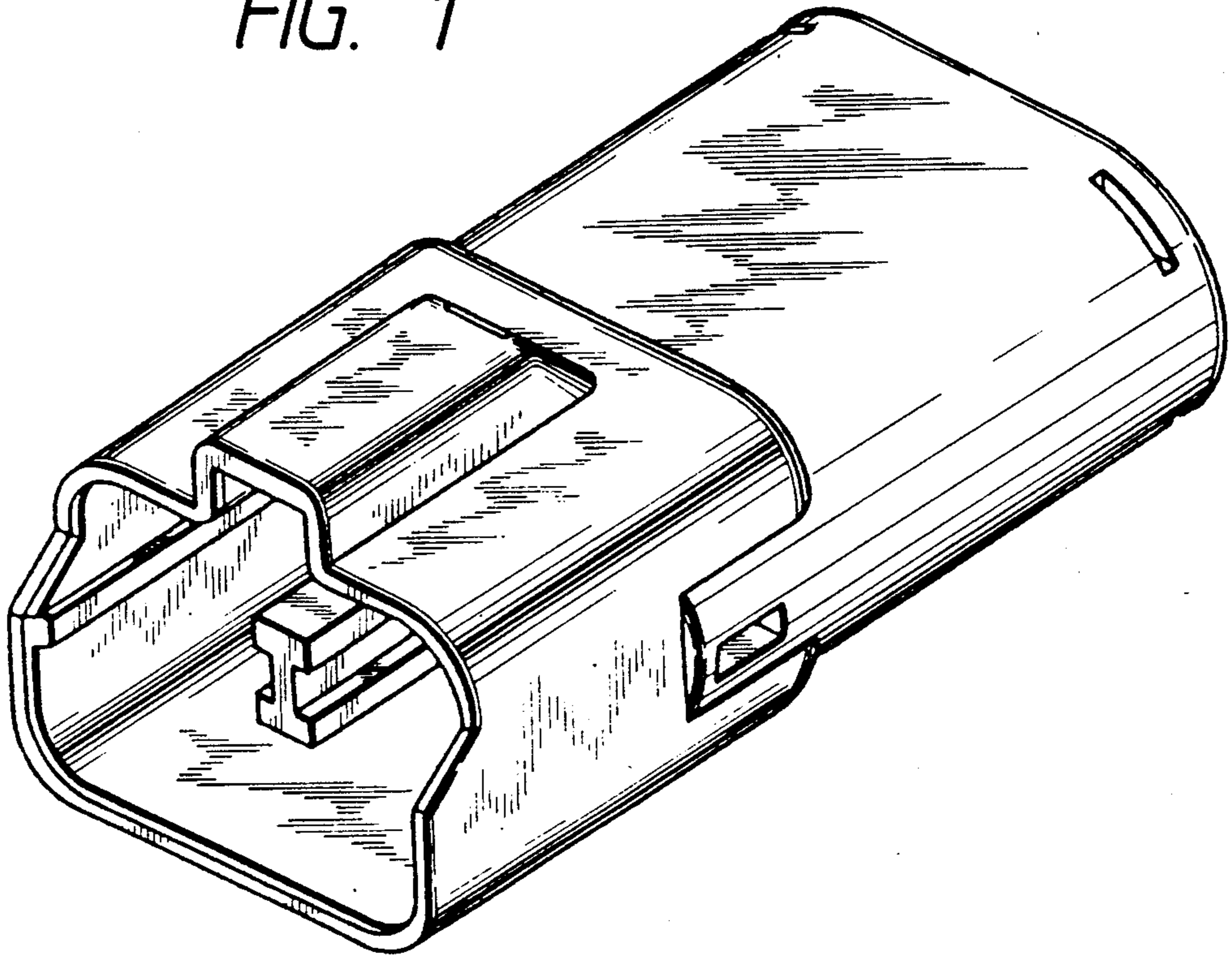


FIG. 2

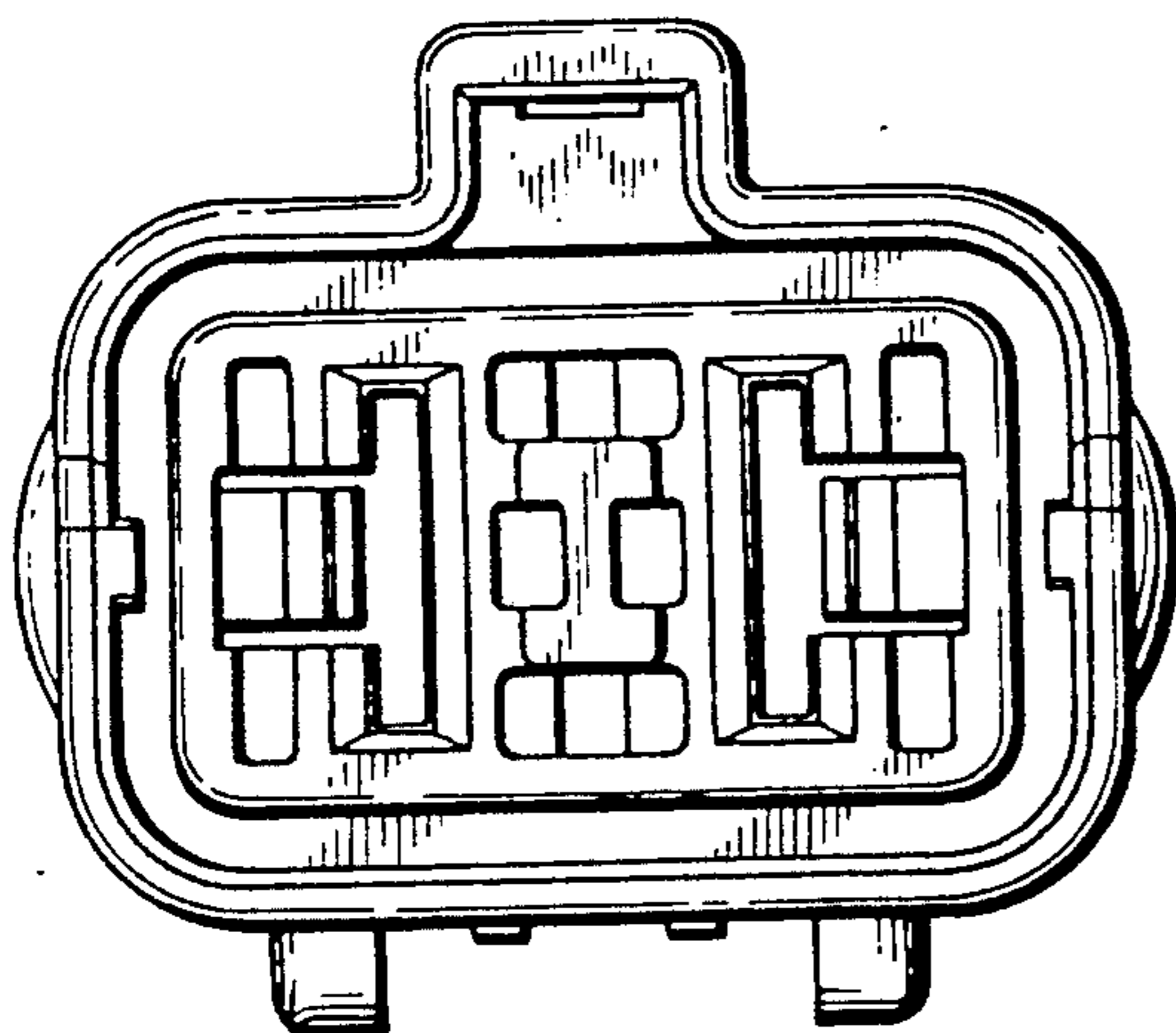


FIG. 3

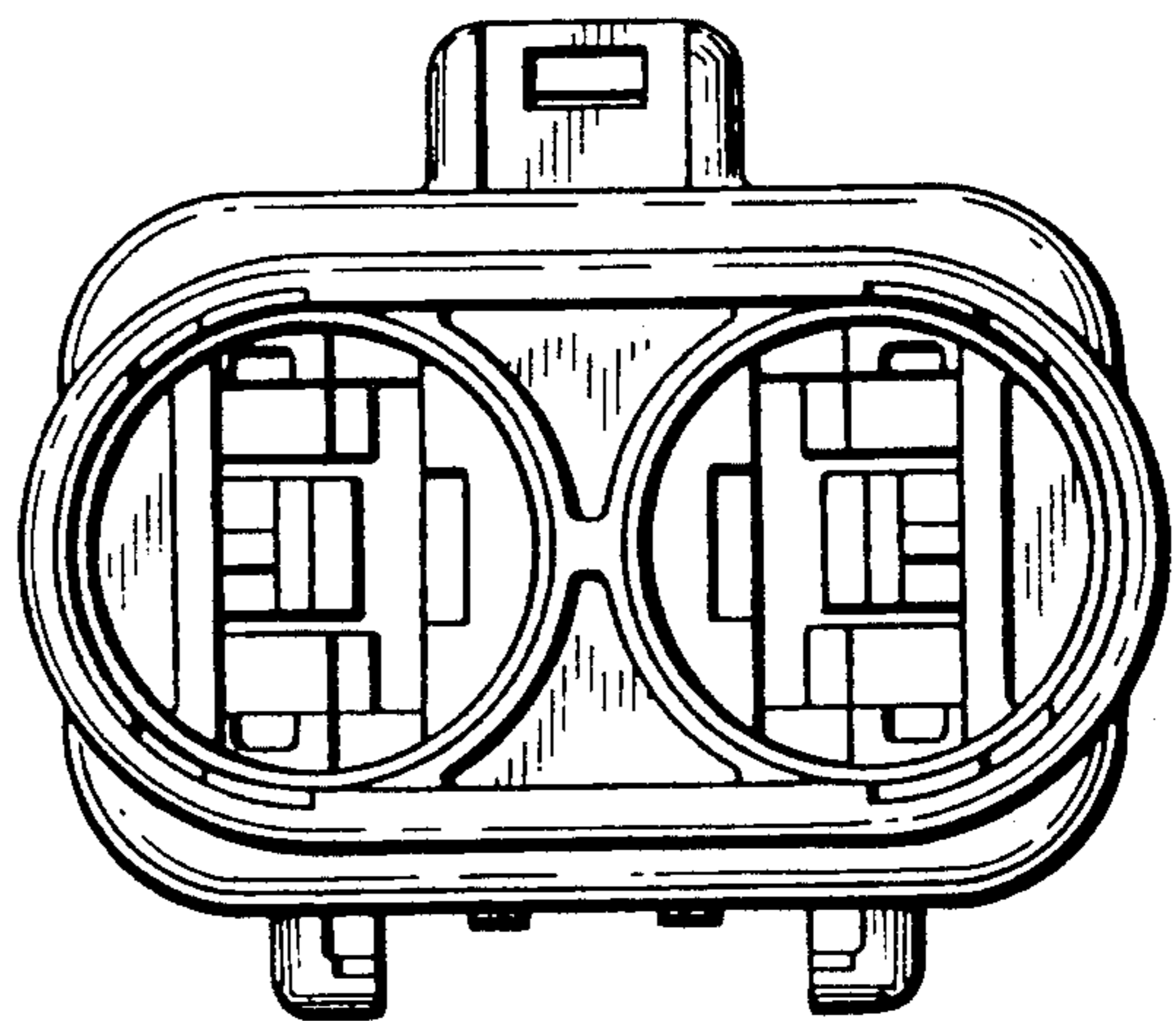


FIG. 4

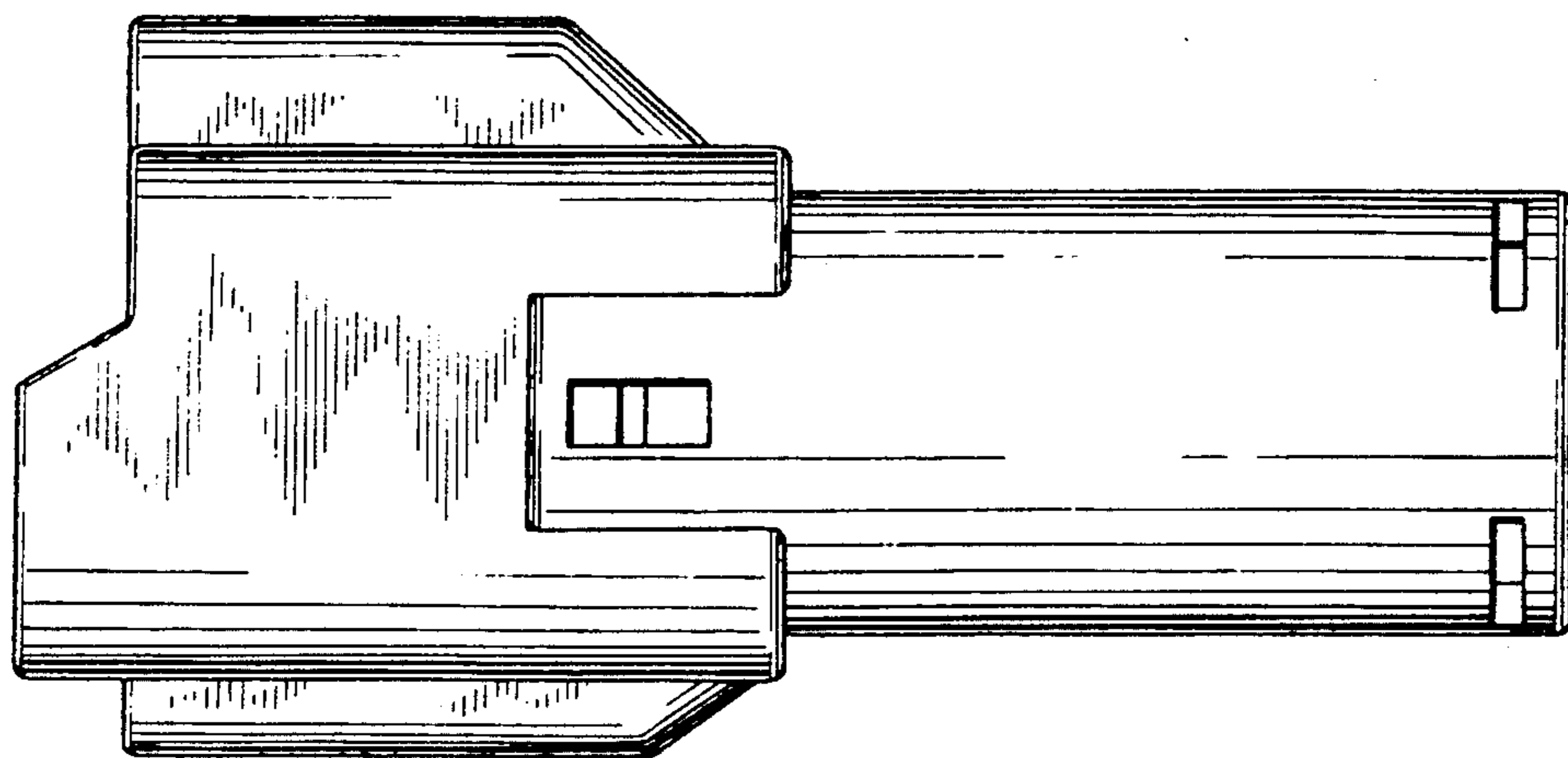


FIG. 5

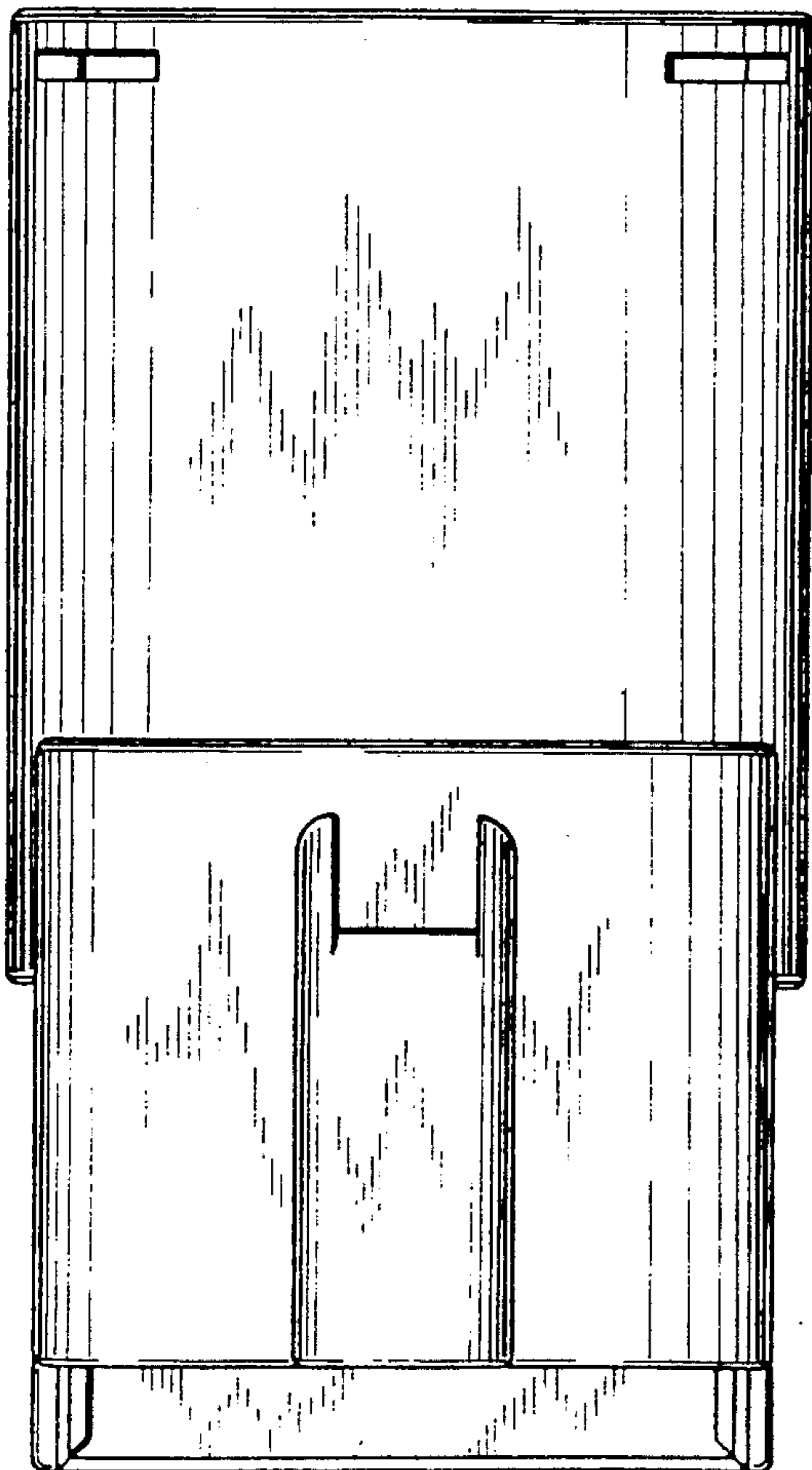
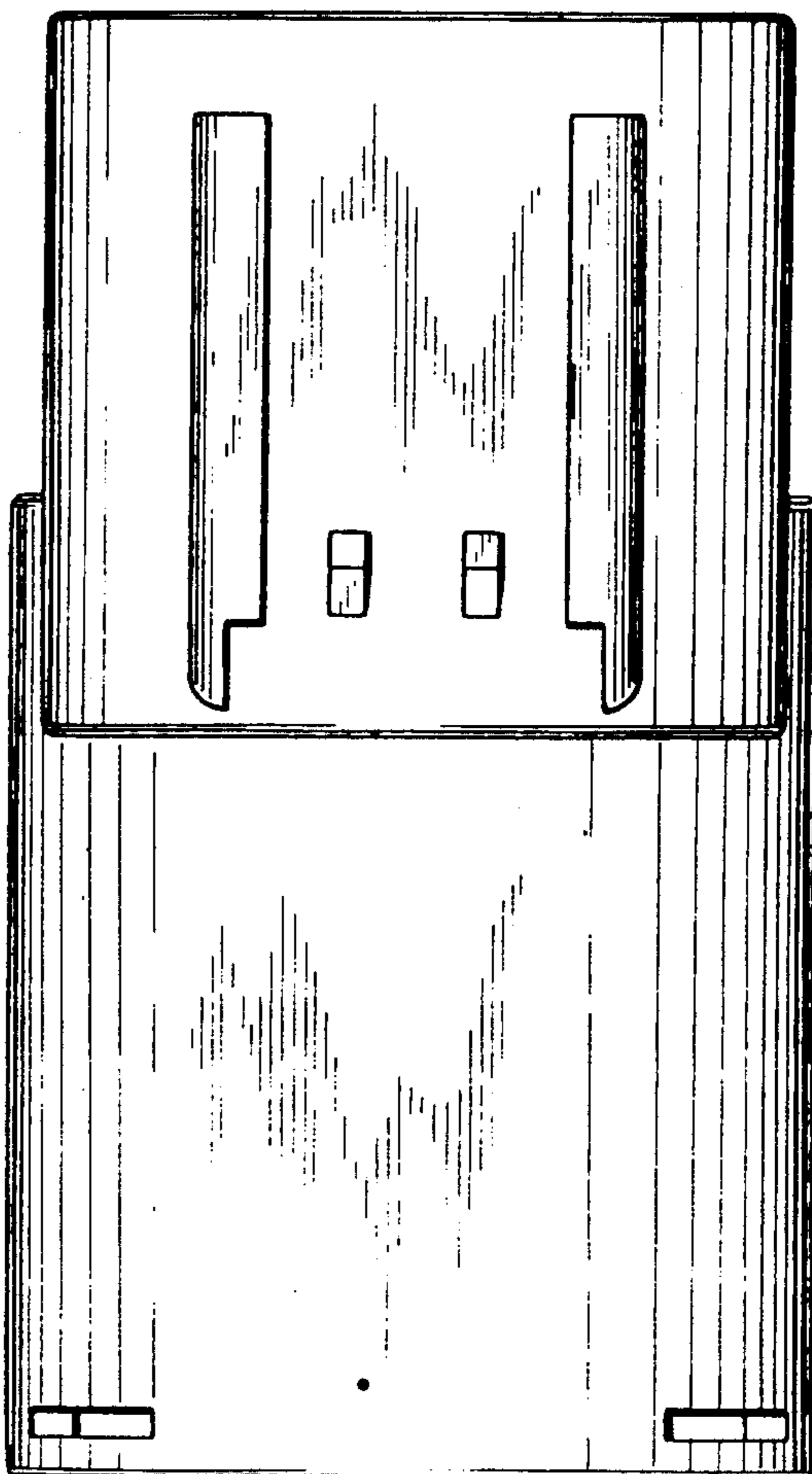


FIG. 6



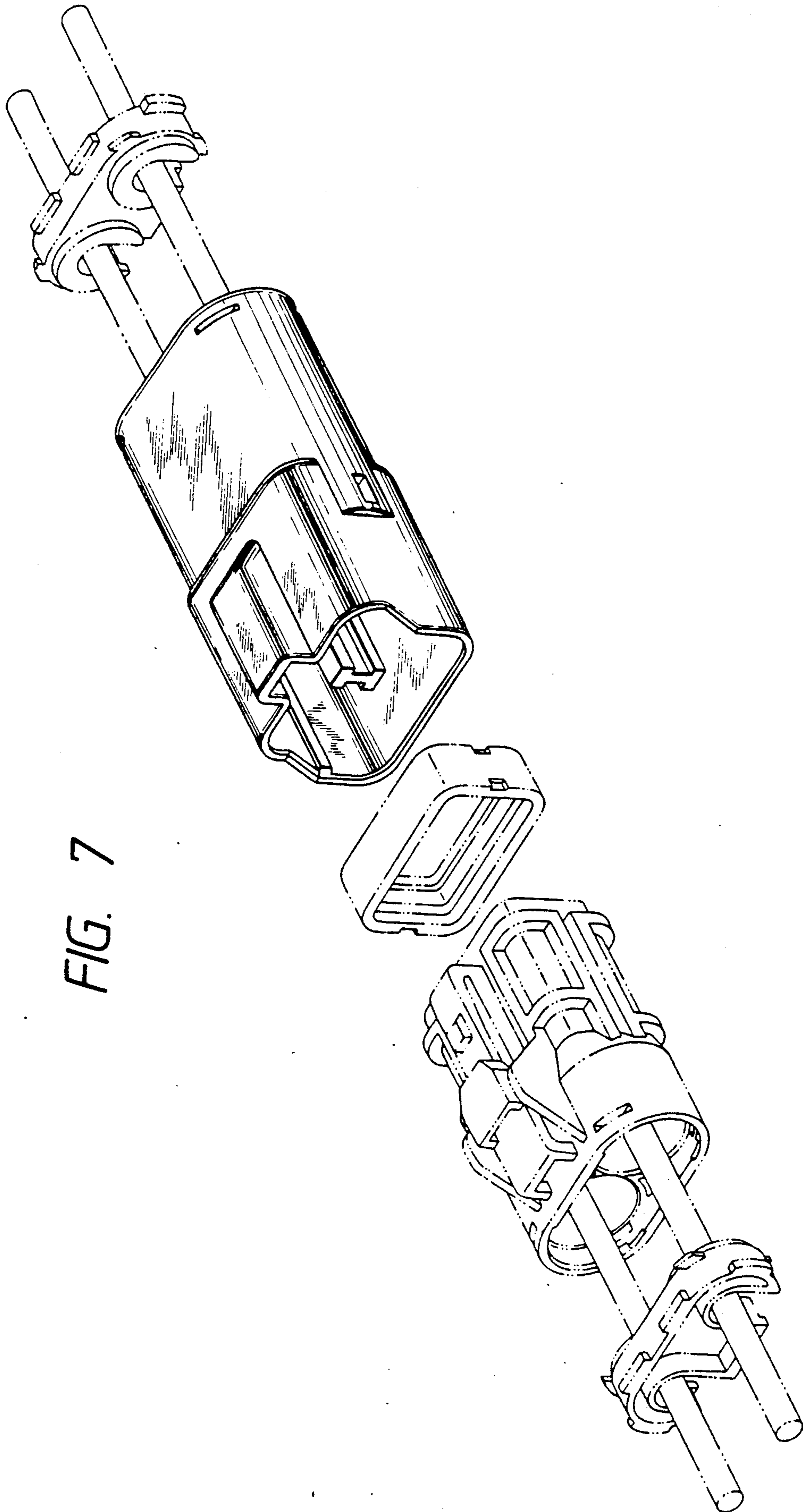


FIG. 7