

# United States Patent [19]

Thompson et al.

[11] Patent Number: **Des. 319,996**

[45] Date of Patent: **\*\* Sep. 17, 1991**

[54] **MOTOR HOME BODY FRONT AND REAR PANEL UNIT EXTERIOR SURFACE**

[75] Inventors: **Wade F. B. Thompson, New York, N.Y.; David Willis, Huntsville, Ohio**

[73] Assignee: **Airstream, Inc., Jackson Center, Ohio**

[\*\*] Term: **14 Years**

[21] Appl. No.: **277,054**

[22] Filed: **Nov. 28, 1988**

[52] U.S. Cl. .... **D12/196; D12/100**

[58] Field of Search ..... **D12/196, 100, 99; 296/194, 195, 196, 197**

[56] **References Cited**

**U.S. PATENT DOCUMENTS**

|            |         |                 |         |
|------------|---------|-----------------|---------|
| D. 175,871 | 10/1955 | Webster         | D12/100 |
| D. 196,103 | 8/1963  | Rogers          | D12/100 |
| D. 196,174 | 9/1963  | Rogers          | D12/100 |
| D. 197,224 | 12/1963 | Peterson        | D12/100 |
| D. 201,011 | 5/1965  | Mortrode        | D12/100 |
| D. 210,012 | 1/1968  | Nerem           | D12/100 |
| D. 214,783 | 7/1969  | Kormann         | D12/100 |
| D. 215,595 | 10/1969 | Birchard et al. | D12/100 |
| D. 216,526 | 2/1970  | Birchard et al. | D12/100 |
| D. 217,143 | 4/1970  | Bourke          | D12/99  |
| D. 218,415 | 8/1970  | Birchard et al. | D12/100 |
| D. 219,012 | 10/1970 | Tarabusi et al. | D12/99  |
| D. 220,616 | 5/1971  | Schwartz        | D12/100 |
| D. 221,422 | 8/1971  | Geldbaugh       | D12/100 |
| D. 221,933 | 9/1971  | McKenney        | D12/99  |
| D. 227,242 | 6/1973  | Hanson          | D12/100 |
| D. 227,757 | 7/1973  | Thorensen       | D12/100 |
| D. 230,019 | 1/1974  | Cox             | D12/100 |
| D. 231,731 | 6/1974  | Deesen et al.   | D12/100 |
| D. 232,083 | 7/1974  | Lano            | D12/100 |
| D. 233,884 | 12/1974 | Stewart         | D12/99  |

|            |         |            |         |
|------------|---------|------------|---------|
| D. 239,101 | 3/1976  | Baer       | D12/100 |
| D. 249,881 | 10/1978 | Ginoulhiac | D12/100 |
| D. 256,573 | 8/1980  | Breinholt  | D12/100 |
| D. 259,190 | 5/1981  | Rowe       | D12/100 |
| D. 262,531 | 1/1982  | Hanson     | D12/99  |

**OTHER PUBLICATIONS**

R.V. Business, Jun. 1988, p. 39, Monitor Motor Home Front Panel.

R.V. Business, Mar. 1988, p. 31, Motor Home Front Panel in the Arco Solar Inc. Brochure.

R.V. Business, Jan. 1988, p. 38, Rockwood Motor Home Front Panel Classic XR.

R.V. Business, Dec. 1987, p. 13, Front Panels of Fleetwood Motor Homes.

*Primary Examiner*—James M. Gandy

*Assistant Examiner*—Melody Brown

*Attorney, Agent, or Firm*—Killworth, Gottman, Hagan & Schaeff

[57] **CLAIM**

The ornamental design for a motor home body front and rear panel unit exterior surface, as shown and described.

**DESCRIPTION**

FIG. 1 is a top, front perspective view of a motor home body front and rear panel unit exterior surface showing our new design, it being understood that broken lines are for illustrative purposes only and form no part of the claimed design;

FIG. 2 is an enlarged front elevation view of the front panel exterior surface thereof;

FIG. 3 is an enlarged left side elevation view thereof;

FIG. 4 is an enlarged right side elevation view thereof;

FIG. 5 is an enlarged perspective view of the rear panel exterior surface thereof; and

FIG. 6 is an elevation view of the rear panel of FIG. 5.

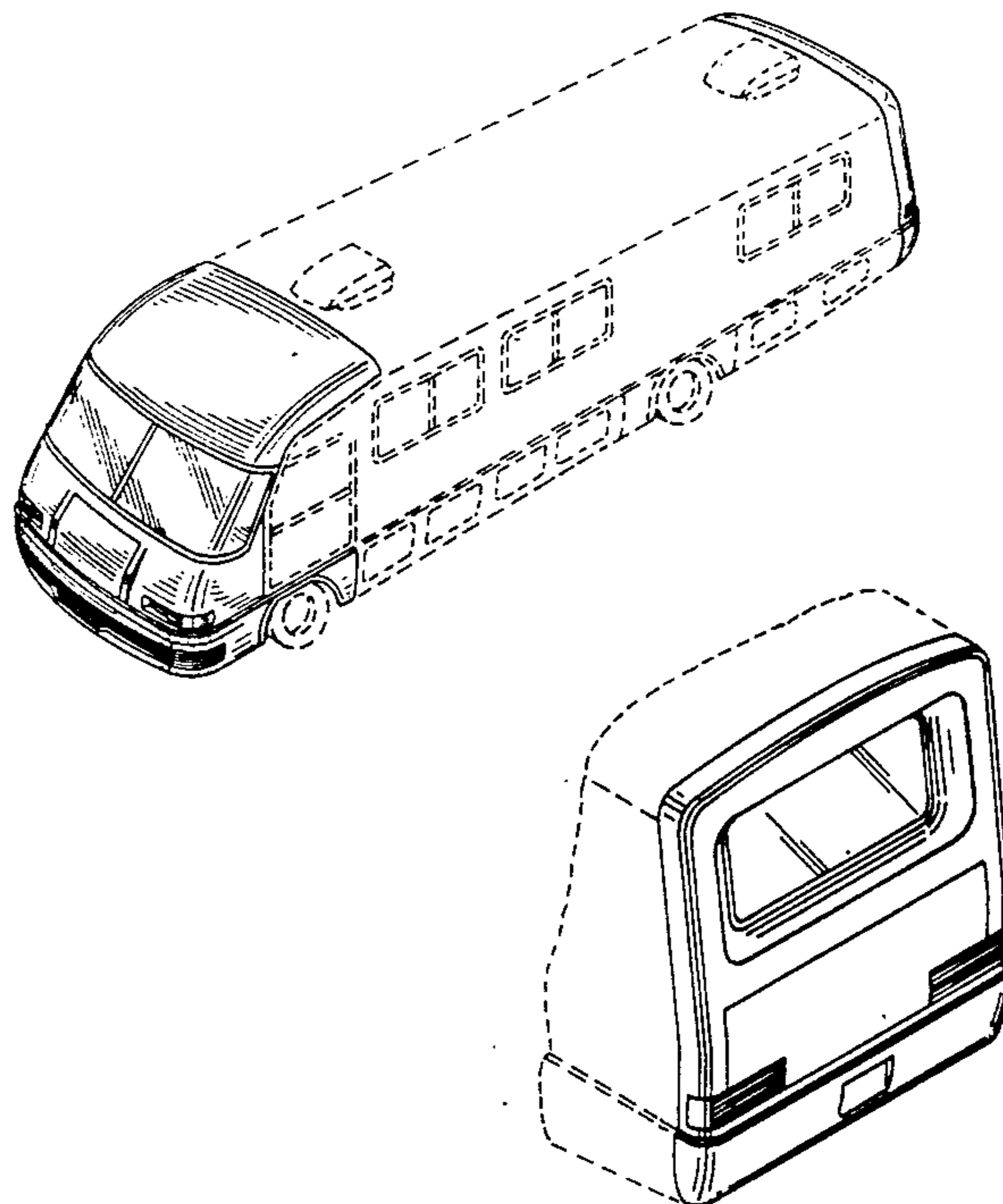


FIG-1

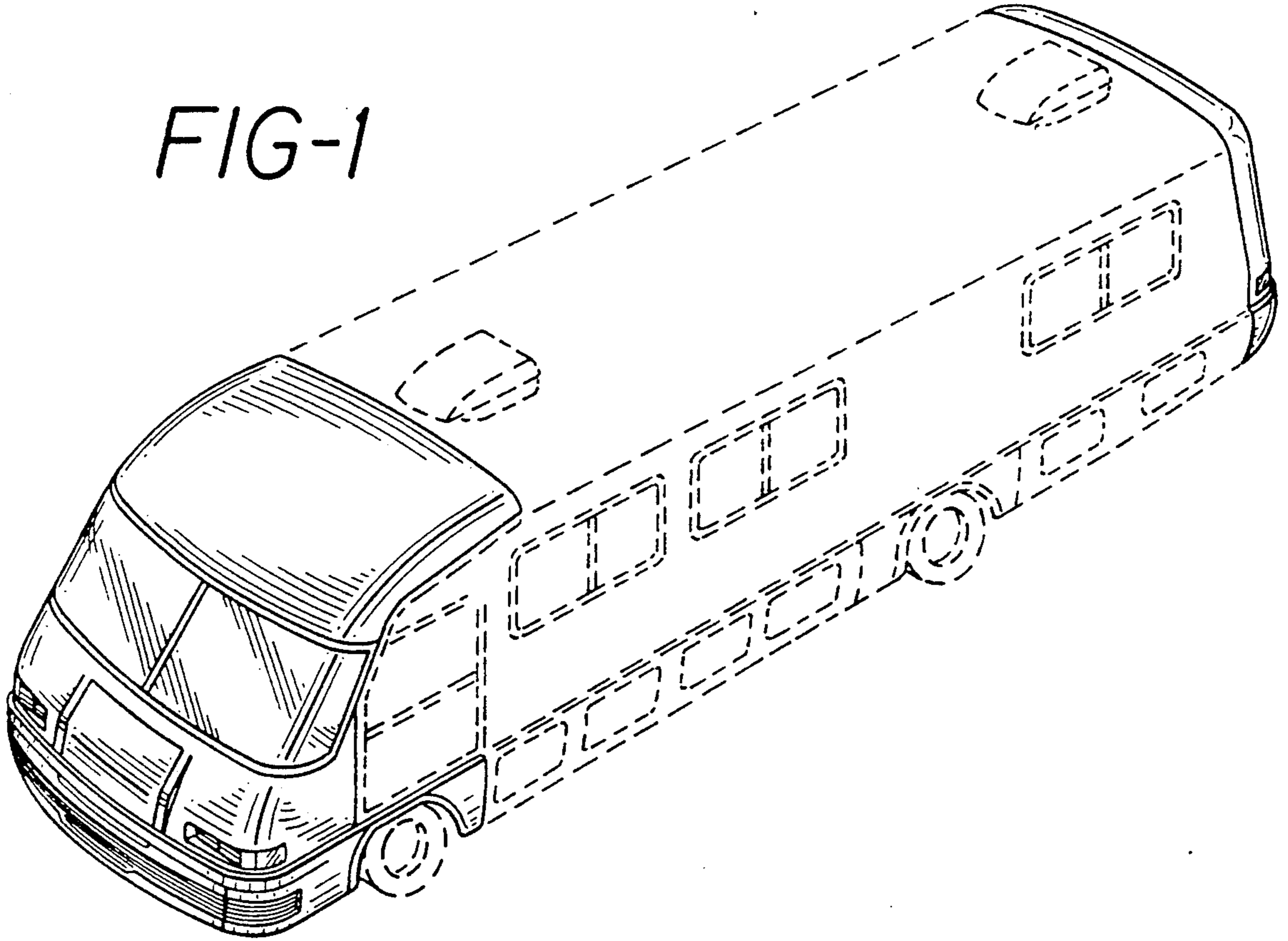


FIG-2

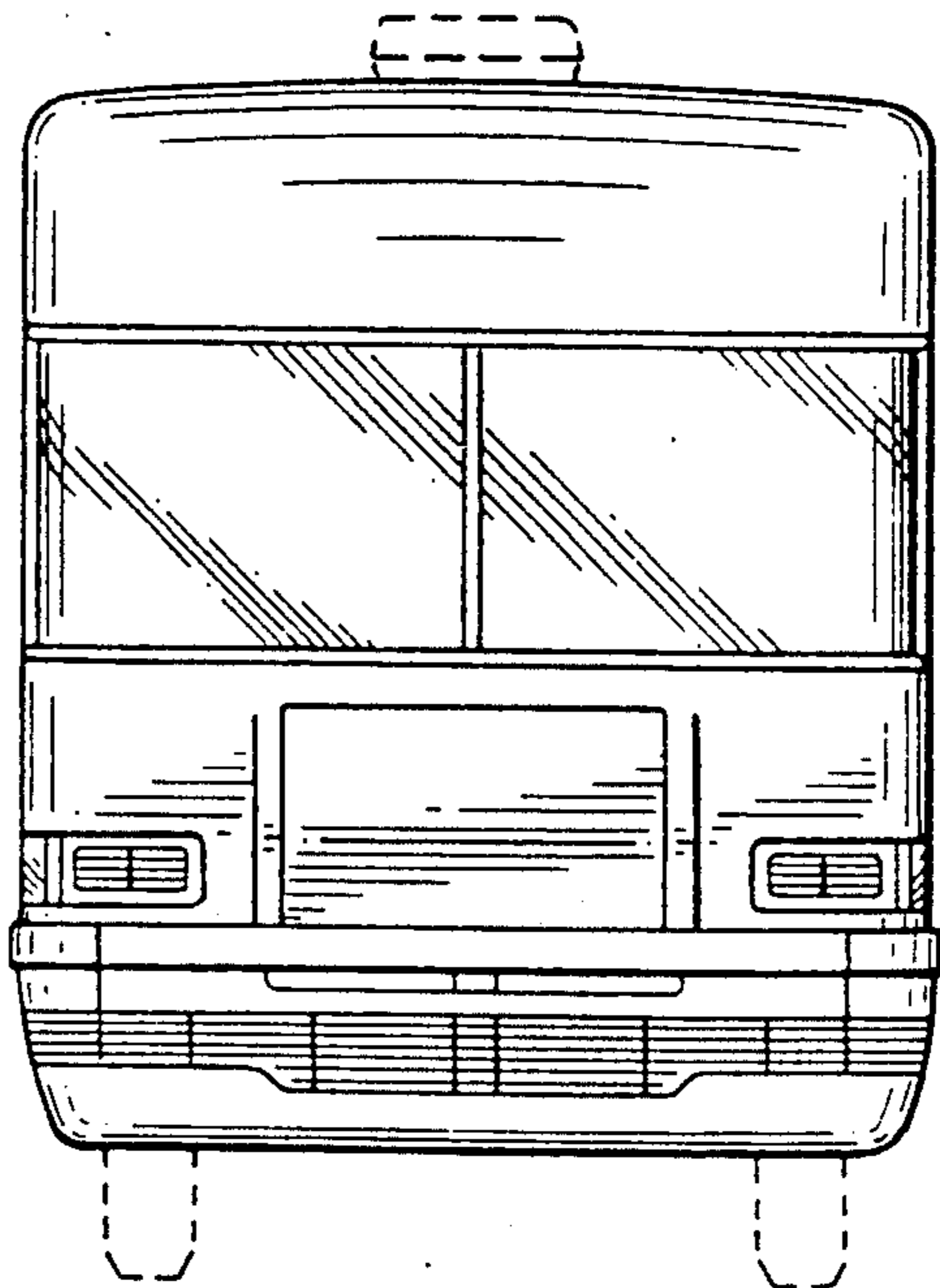


FIG-3

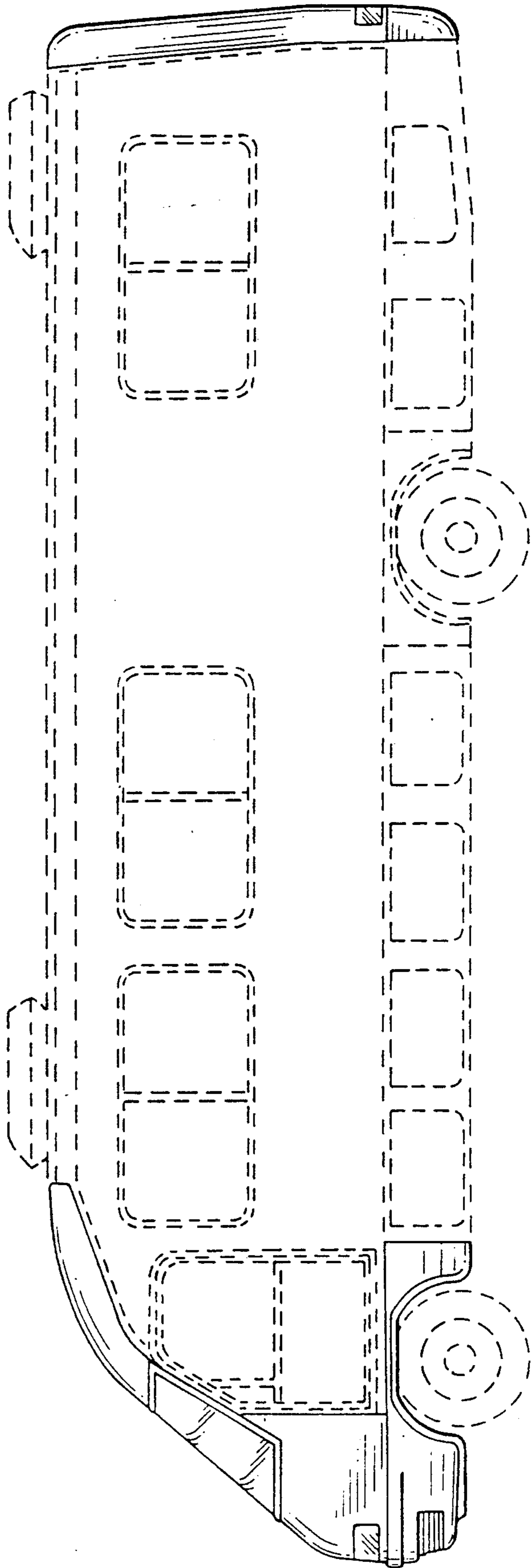
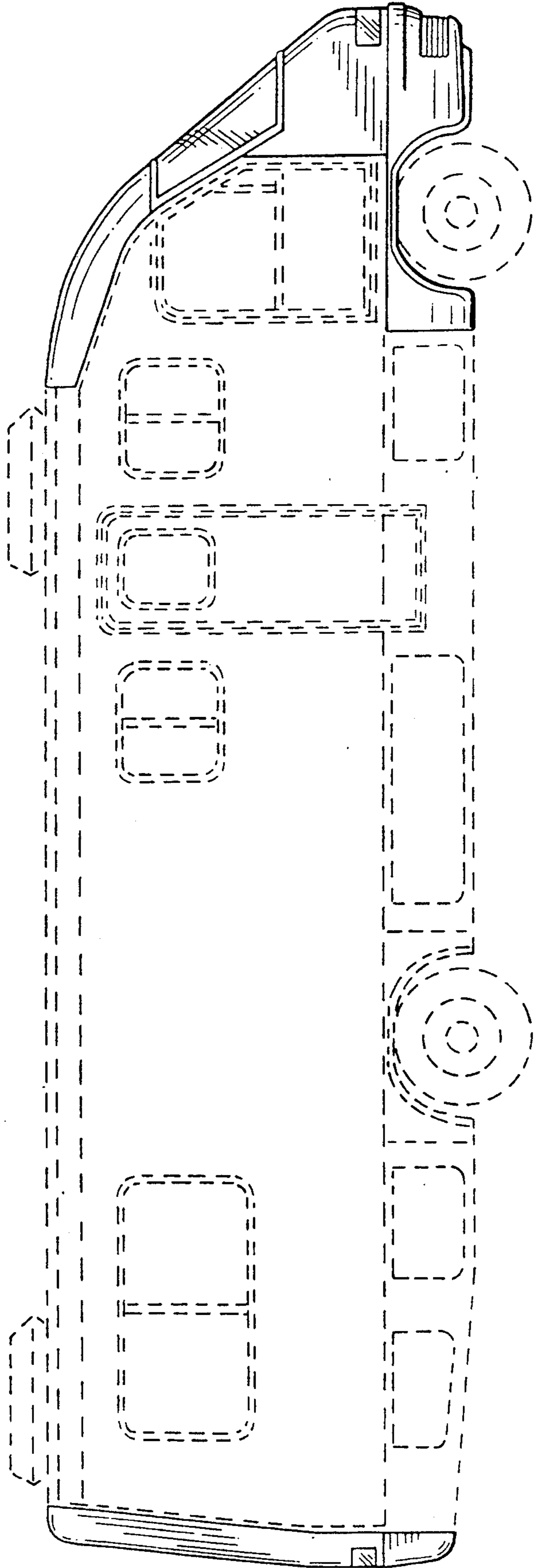


FIG-4



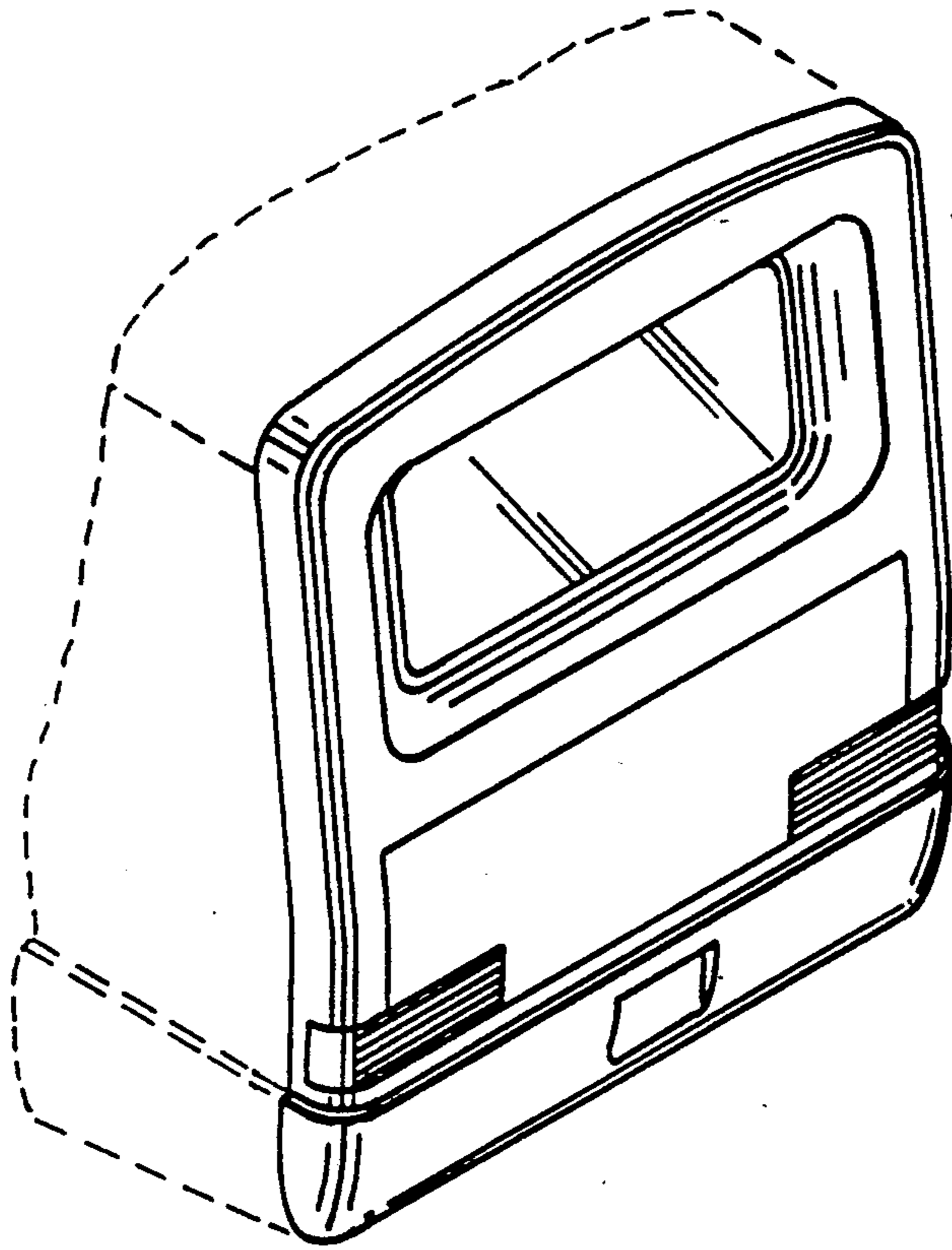


FIG-5

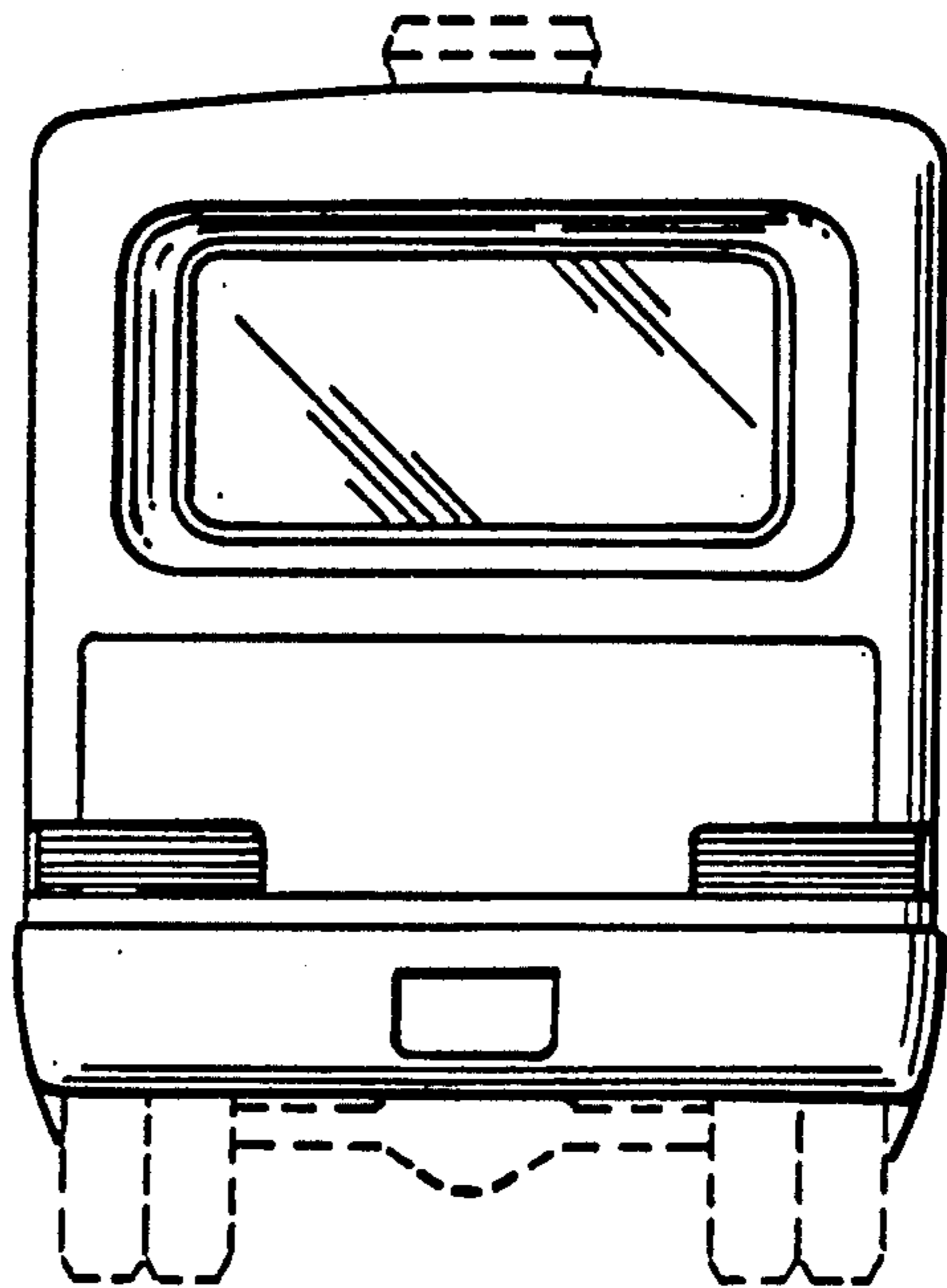


FIG.6