

[54] PAIR OF MOUNTAIN BIKE HANDGUARDS

[75] Inventor: Franco Acerbis, Albino, Italy

[73] Assignee: Acerbis Plastica Italia, Italy

[**] Term: 14 Years

[21] Appl. No.: 322,069

[22] Filed: Mar. 13, 1989

[52] U.S. Cl. D12/114

[58] Field of Search D12/114; 280/288.4; 74/551.8, 551.9; 296/78.1

[56] References Cited

U.S. PATENT DOCUMENTS

3,462,188	8/1969	Edgar	74/551.8
3,665,515	5/1972	Sjostrom, Sr.	296/78.1
4,141,567	2/1979	Scott	D12/114

FOREIGN PATENT DOCUMENTS

0137860	1/1934	Fed. Rep. of Germany	296/78.1
---------	--------	----------------------	----------

OTHER PUBLICATIONS

Cagiva catalog, 1986.

Kawasaki KDX 200, 1986.

Yamaha TT225/350/600 brochure, 1983.

Maier Handguards, 1984-1988.
Acerbis 1989 catalog, 1983-1988.

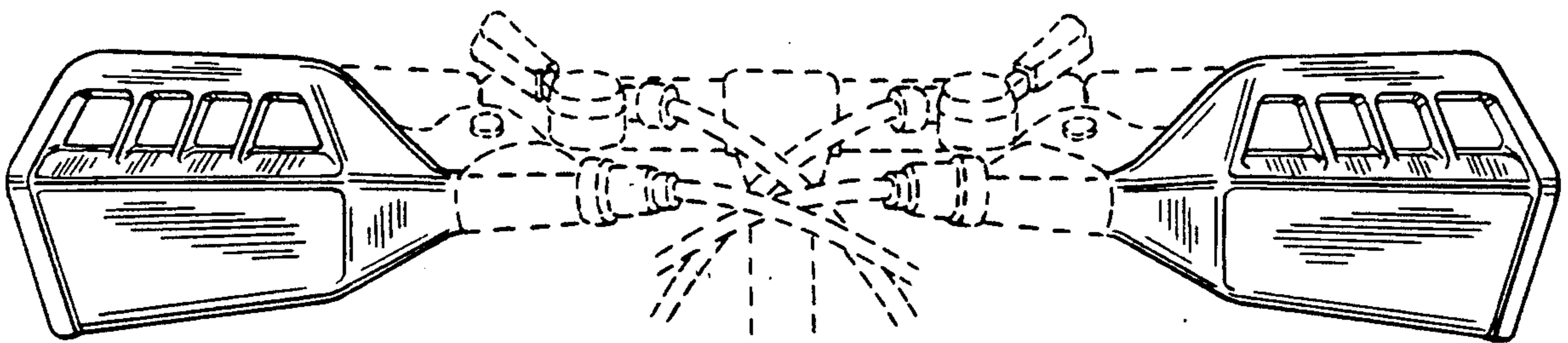
Primary Examiner—James M. Gandy
Assistant Examiner—Melody Brown
Attorney, Agent, or Firm—Brown, Martin, Haller & McClain

[57] CLAIM

The ornamental design for a pair of mountain bike handguards, as shown and described.

DESCRIPTION

FIG. 1 is a front elevational view of a pair of mountain bike handguards showing my new design, it being understood that the broken lines are for illustrative purposes only and form no part of the claimed design; FIG. 2 is an enlarged inner end elevational view of the left handguard thereof; FIG. 3 is an outer end elevational view of FIG. 2; FIG. 4 is a rear elevational view of FIG. 2; FIG. 5 is a bottom plan view of FIG. 2; FIG. 6 is a front elevational view of FIG. 2; and FIG. 7 is a top plan view of FIG. 2. The views of the right handguard corresponding to those of the left handguard shown in FIGS. 2-7 are understood to be the reverse image thereof.



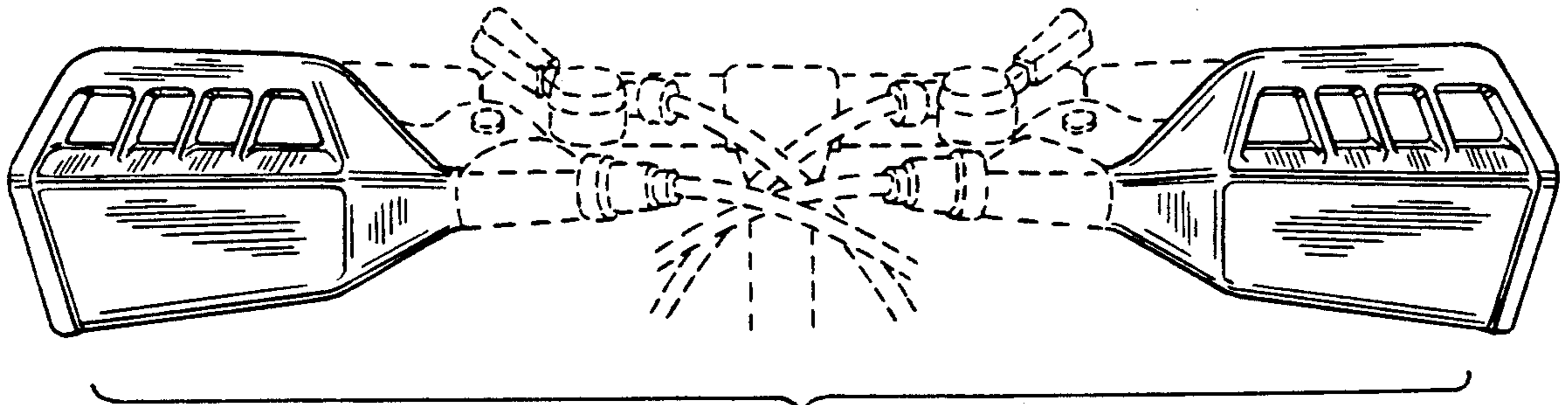


FIG. 1

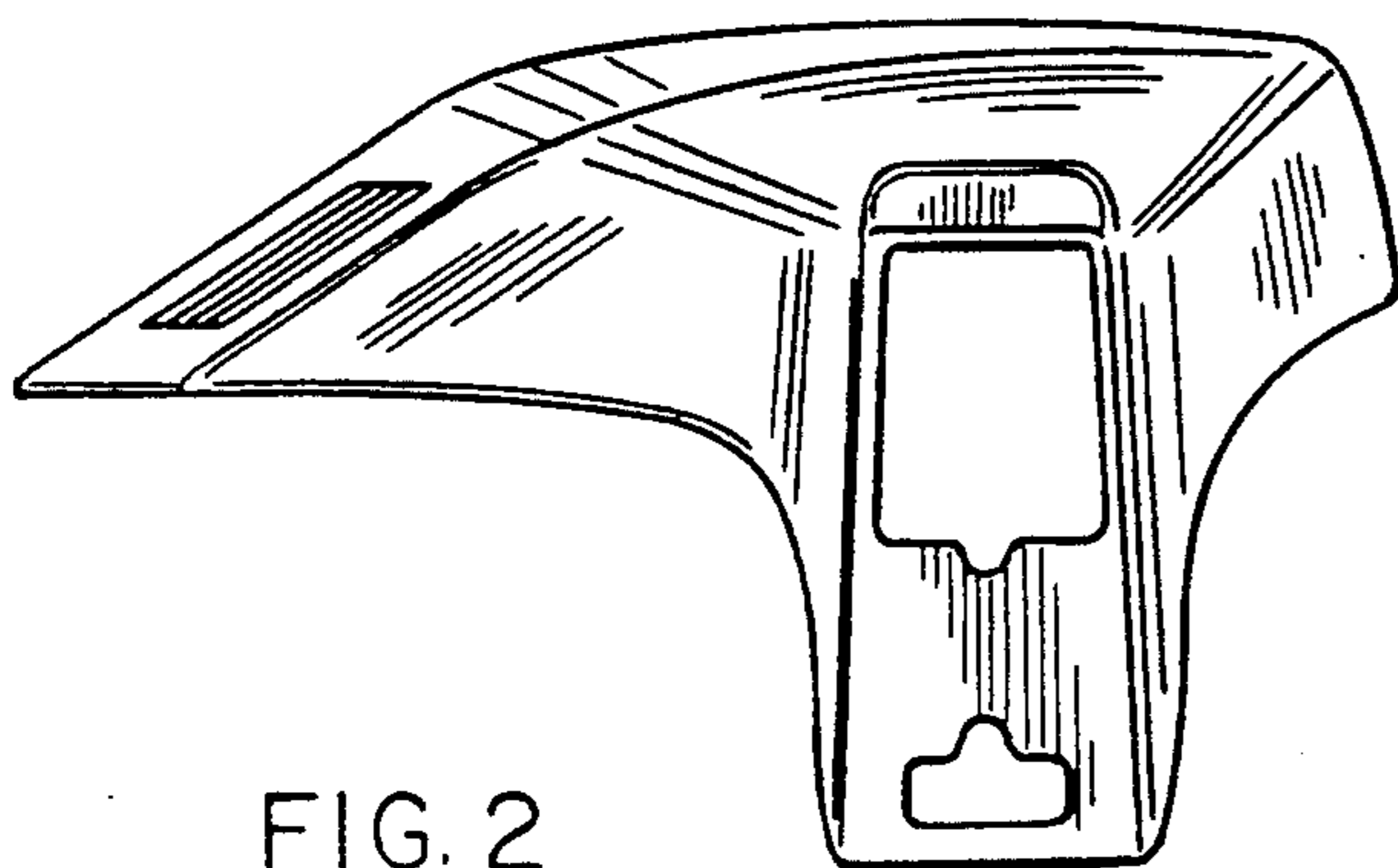


FIG. 2

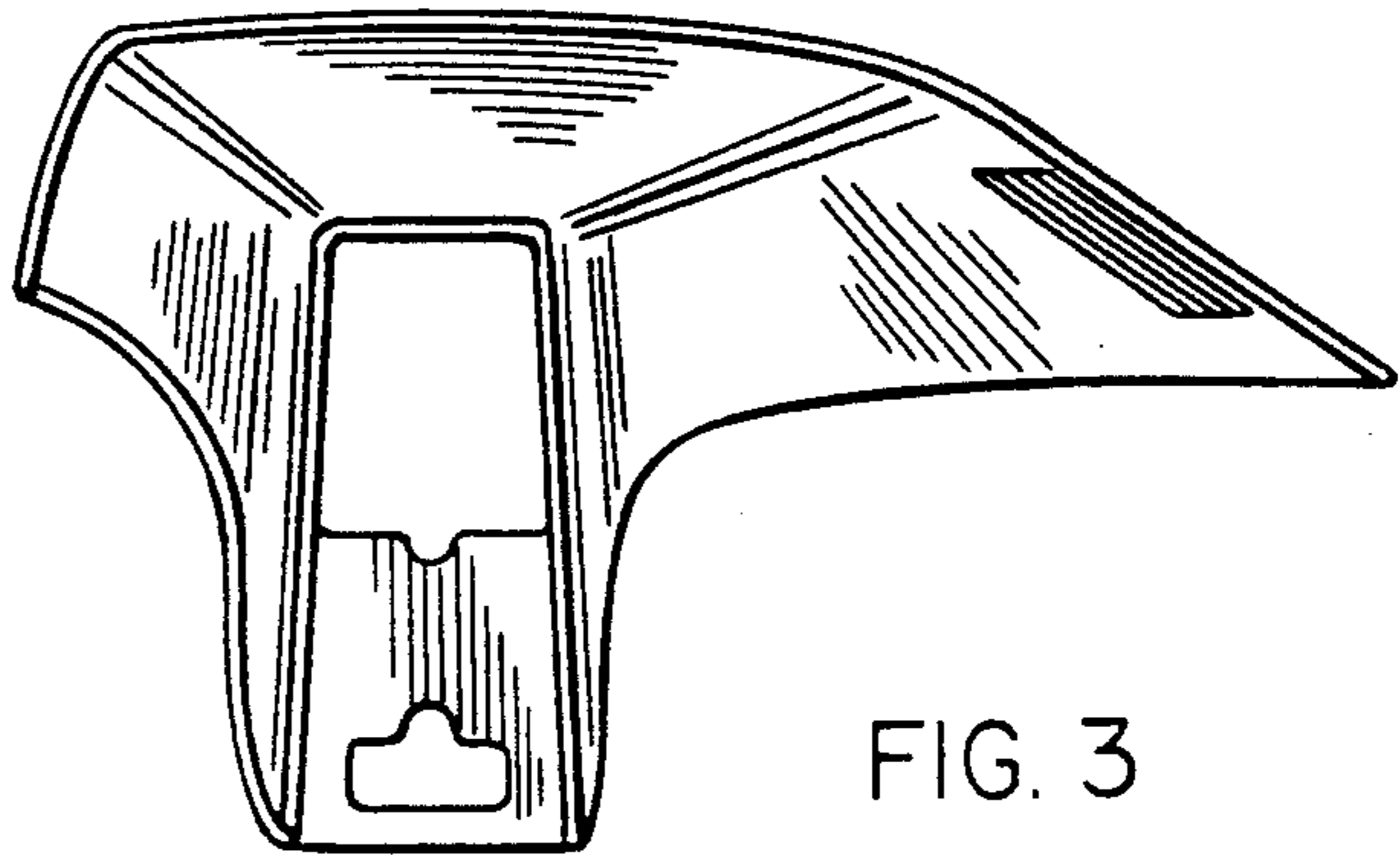


FIG. 3

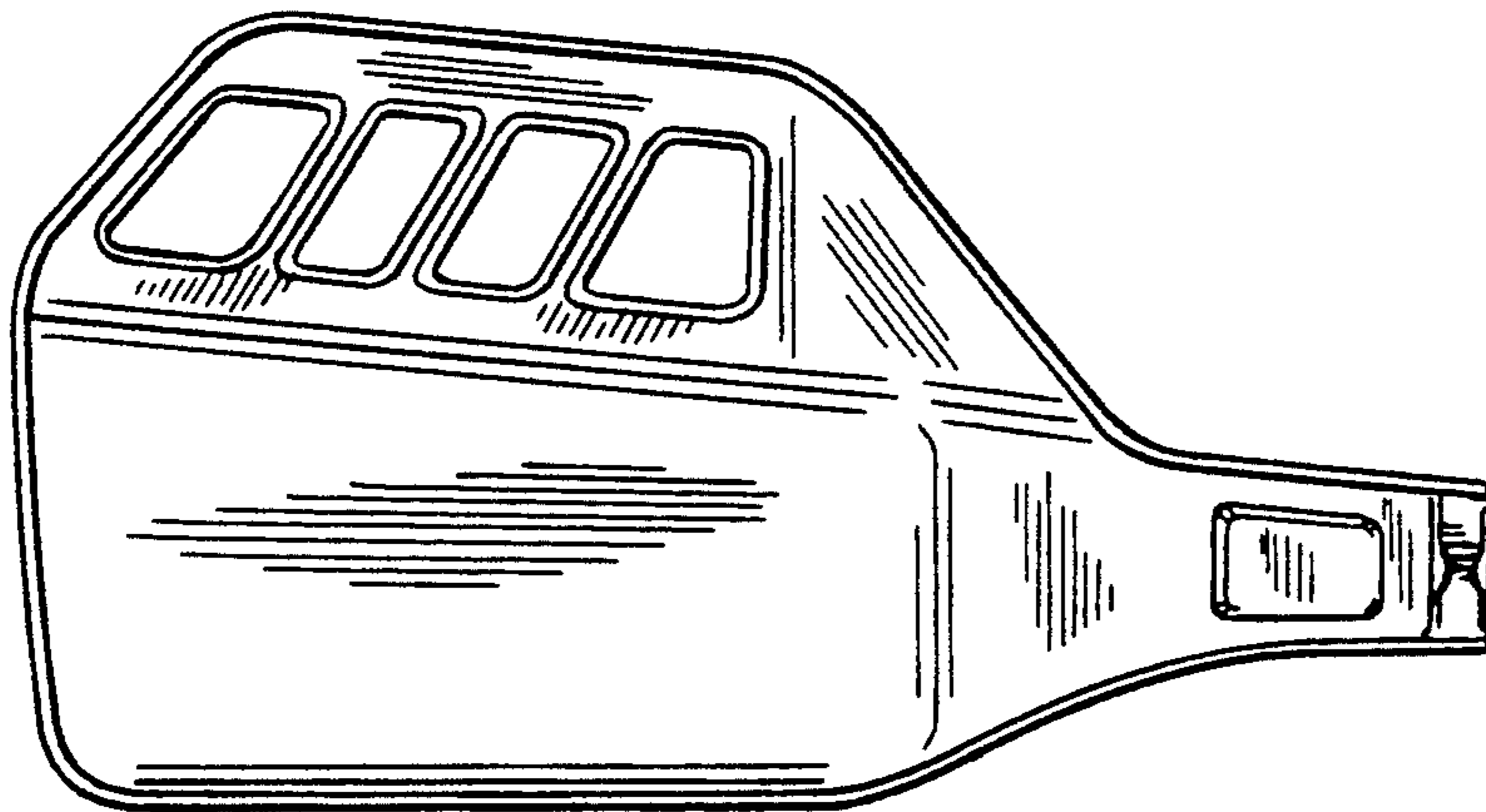


FIG. 4

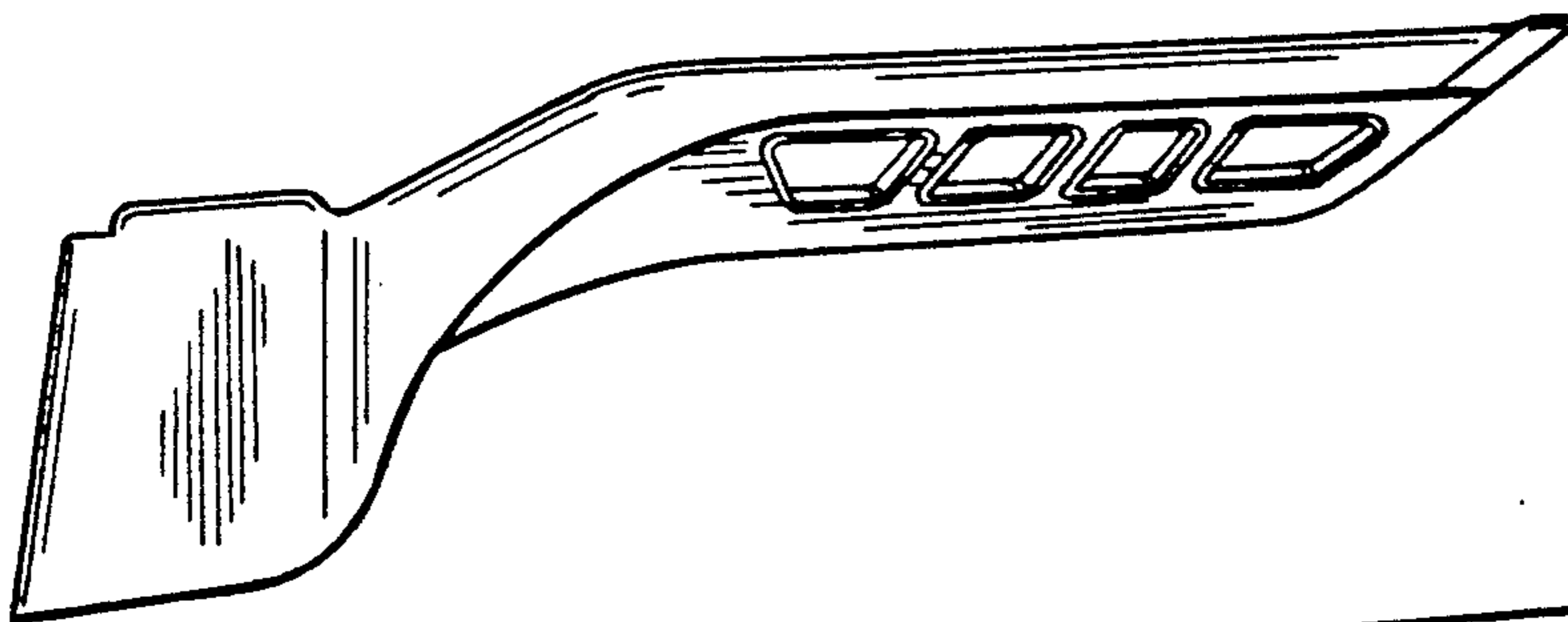


FIG. 5

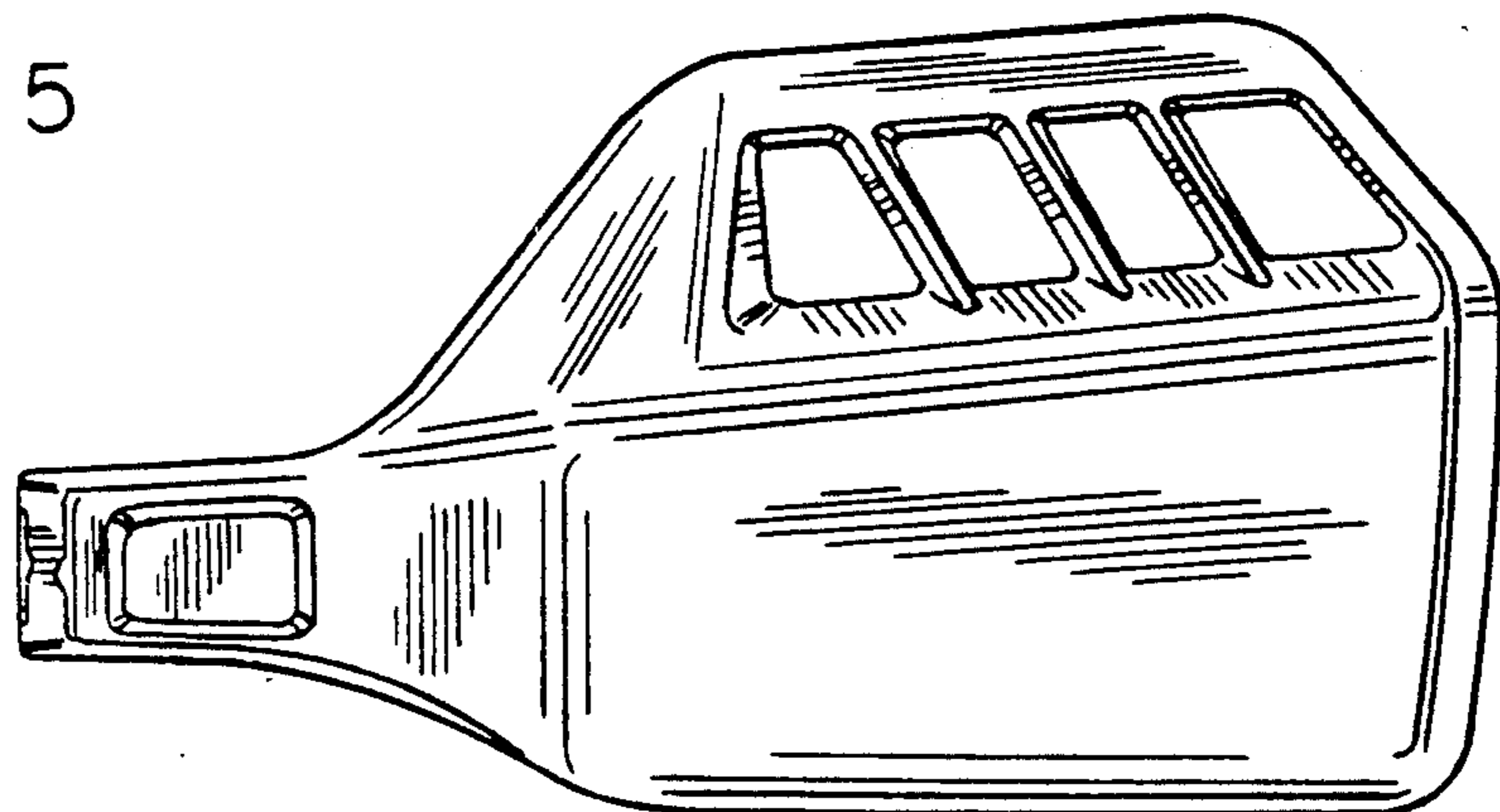


FIG. 6

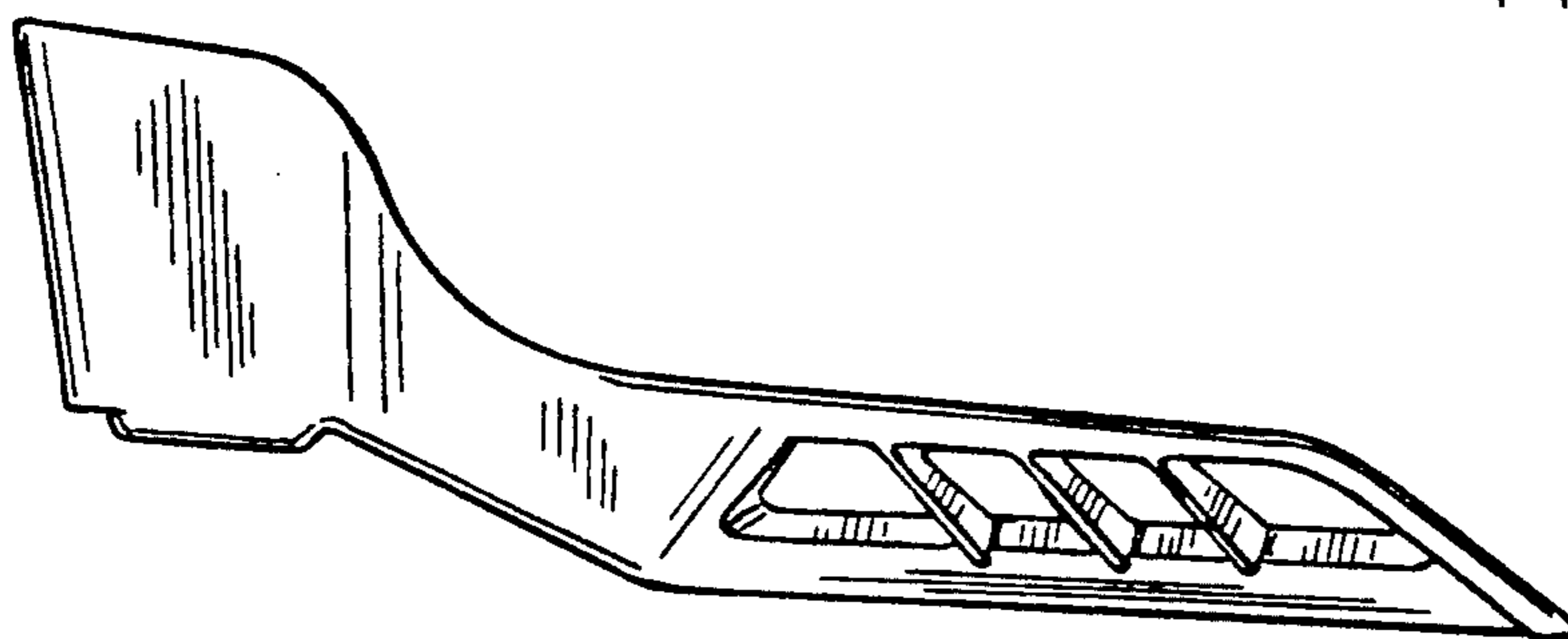


FIG. 7