

[54] FLOWER POT COVER
 [75] Inventor: Donald E. Weder, Highland, Ill.
 [73] Assignee: Highland Supply Corporation,
 Highland, Ill.
 [**] Term: 14 Years
 [21] Appl. No.: 357,103
 [22] Filed: May 25, 1989

Related U.S. Application Data

[63] Continuation-in-part of Ser. No. 108,316, Oct. 13, 1987,
 Pat. No. Des. 316,838, which is a continuation-in-part
 of Ser. No. 613,053, May 22, 1984, Pat. No. Des.
 293,224.
 [52] U.S. Cl. D11/164; D11/143
 [58] Field of Search D11/143, 149, 152, 153,
 D11/155, 156, 164; 47/66, 72; 206/423;
 215/100.5; 229/4.5, 922; 248/27.8; 428/35.1,
 542.6

References Cited

U.S. PATENT DOCUMENTS

[56] D. 209,788 11/1878 Affel .
 D. 254,659 4/1980 Karotseris D11/143
 D. 287,950 1/1987 Weder et al. D11/143
 D. 289,024 3/1987 Vaughn D11/164
 D. 289,982 5/1987 Weder et al. D11/164
 D. 292,182 10/1987 Weder et al. D11/164
 D. 292,183 10/1987 Weder et al. D11/164
 D. 292,184 10/1987 Weder et al. D11/164
 D. 292,185 10/1987 Weder et al. D11/164
 D. 292,186 10/1987 Weder et al. D11/164
 D. 292,187 10/1987 Weder et al. D11/164
 D. 292,188 10/1987 Weder et al. D11/164
 D. 292,189 10/1987 Weder et al. D11/164
 D. 292,190 10/1987 Weder et al. D11/164
 D. 292,191 10/1987 Weder et al. D11/164
 D. 292,561 11/1987 Weder et al. D11/164
 D. 292,562 11/1987 Weder et al. D11/164
 D. 292,563 11/1987 Weder et al. D11/164
 D. 293,222 12/1987 Weder et al. D11/164
 D. 293,223 12/1987 Weder et al. D11/164
 D. 293,304 12/1987 Weder et al. D11/164
 D. 293,305 12/1987 Weder et al. D11/164
 D. 293,306 12/1987 Weder et al. D11/164
 D. 293,307 12/1987 Weder et al. D11/164

D. 293,308 12/1987 Weder et al. D11/164
 D. 293,774 1/1988 Weder et al. D11/164
 D. 293,775 1/1988 Weder et al. D11/164
 D. 296,535 7/1988 Weder et al. D11/149
 D. 297,422 8/1988 Weder et al. D11/164
 D. 298,017 10/1988 Weder et al. D11/164
 D. 301,565 6/1989 Weder D11/152
 D. 302,139 7/1989 Weder D11/153
 D. 302,253 7/1989 Weder D11/153
 D. 302,254 7/1989 Weder D11/153
 D. 302,404 7/1989 Weder D11/153
 D. 302,405 7/1989 Weder D11/155
 D. 302,406 7/1989 Weder D11/155
 D. 302,407 7/1989 Weder D11/155
 D. 303,775 10/1989 Weder D11/155
 1,069,675 8/1913 Claussen .
 1,446,563 2/1923 Hughes .
 1,520,647 12/1924 Hennegan .
 1,868,853 7/1932 Sievers .
 1,924,926 8/1933 Gray 65/53
 2,302,259 11/1942 Rothfuss 41/10
 2,355,559 8/1944 Renner 229/8
 2,482,981 9/1949 Kamrass 41/13
 2,967,652 1/1961 Canfield et al. 229/5.5
 3,022,605 2/1962 Reynolds 47/58
 3,271,922 9/1966 Wallerstein et al. 53/3
 3,488,022 1/1970 Vitorri 248/152
 3,542,616 11/1970 Cain et al. 156/224
 3,962,503 6/1976 Crawford 428/40
 4,043,077 8/1977 Stonehocker 47/66
 4,118,890 10/1978 Shore 47/28 R
 4,170,618 10/1979 Adams 264/101
 4,216,620 8/1980 Weder et al. 47/72
 4,300,312 11/1981 Weder et al. 47/72
 4,413,725 11/1983 Bruno et al. 206/45.33
 4,508,223 4/1985 Catrambone 206/423
 4,733,521 3/1988 Weder et al. 53/580
 4,773,182 9/1988 Weder et al. 47/72
 4,795,601 1/1989 Cheng 264/138
 4,835,834 6/1989 Weder 29/525

FOREIGN PATENT DOCUMENTS

560532 4/1975 Switzerland .

OTHER PUBLICATIONS

Exhibit A. Curtis Wagner Co., Inc., Houston, TX,
 shows thick, stiff shiny read plastic pot cover with large
 scalloped border. (Photograph) Date unknown.
 Exhibit B. Jacobson Pot Cover Company of Scranton,
 PA, advertising literature. Date of first use unknown.

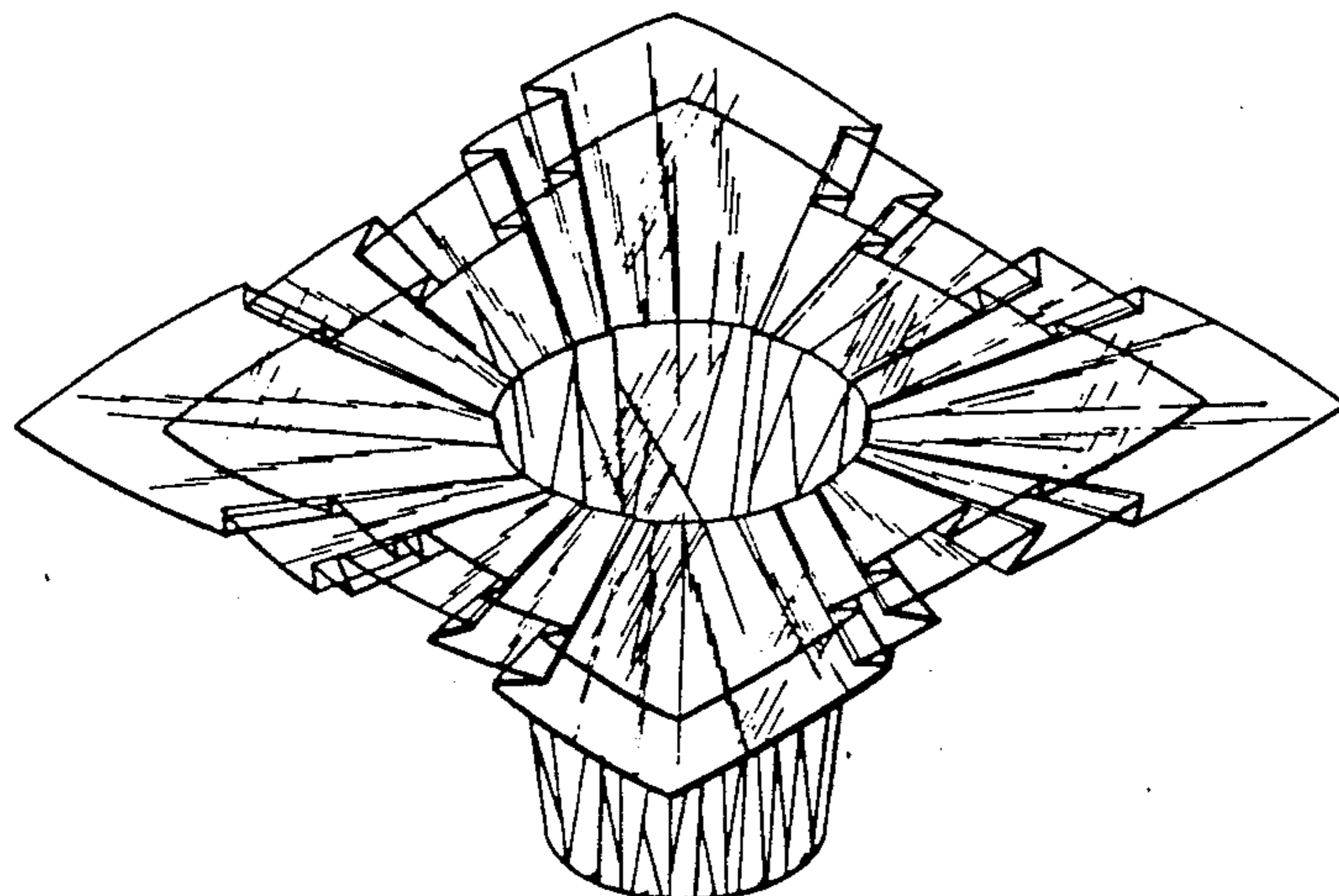


Exhibit C. Photograph of pot cover, manufacturer unknown, date unknown.

Exhibit D. Photocopy of photo of pot cover ("Platform Pot Dresser"), made by John Raisen Corp., San Francisco, CA. Date of first use unknown.

Exhibit E. Photograph of 2-part pot cover system made by Floral Decor, subsidiary of John Henry Co., Lansing MI. date unknown.

Exhibit F. Photo of pot cover made by a Holland company (K.P.I.). Date of first public use believed to be late 1984.

Exhibit G. "The Glass of Frederick Carder", copyright 1971 by P. V. Gardner, showing various styles of glass basket-like vases or containers.

Exhibit H. "Speed Cover®", brochure, published in 1983 by Applicants, showing various pot covers.

Exhibit I. "Speed Cover®", brochure, published in 1983 by Applicants, showing various pot covers.

Exhibit J. Item published in 1936 by Gellman Bros., Minneapolis, MN. Shows an assortment of paper hats.

Exhibit K. Photo of various other flower pot wrapping,

sold in rolls or sheets and used in the floral industry for years.

Exhibit L. Photo of pot cover made of woven straw--like material. date unknown.

Exhibit M. Photo of basket-type pot cover used in the floral industry. date unknown.

Exhibit N. "Speed Cover®", brochure, published in 1984 by Applicants, showing various pot covers.

Primary Examiner—B. J. Bullock

Attorney, Agent, or Firm—Dunlap, Coddington, Peterson & Lee

[57]

CLAIM

The ornamental design for a flower pot cover, as shown and described.

DESCRIPTION

FIG. 1 is a perspective view of a flower pot cover showing my new design;

FIG. 2 is a reduced top plan view thereof;

FIG. 3 is a reduced bottom plan view thereof;

FIG. 4 is a reduced side elevational view thereof, all sides being identical.

The flower pot cover has no substantial thickness.

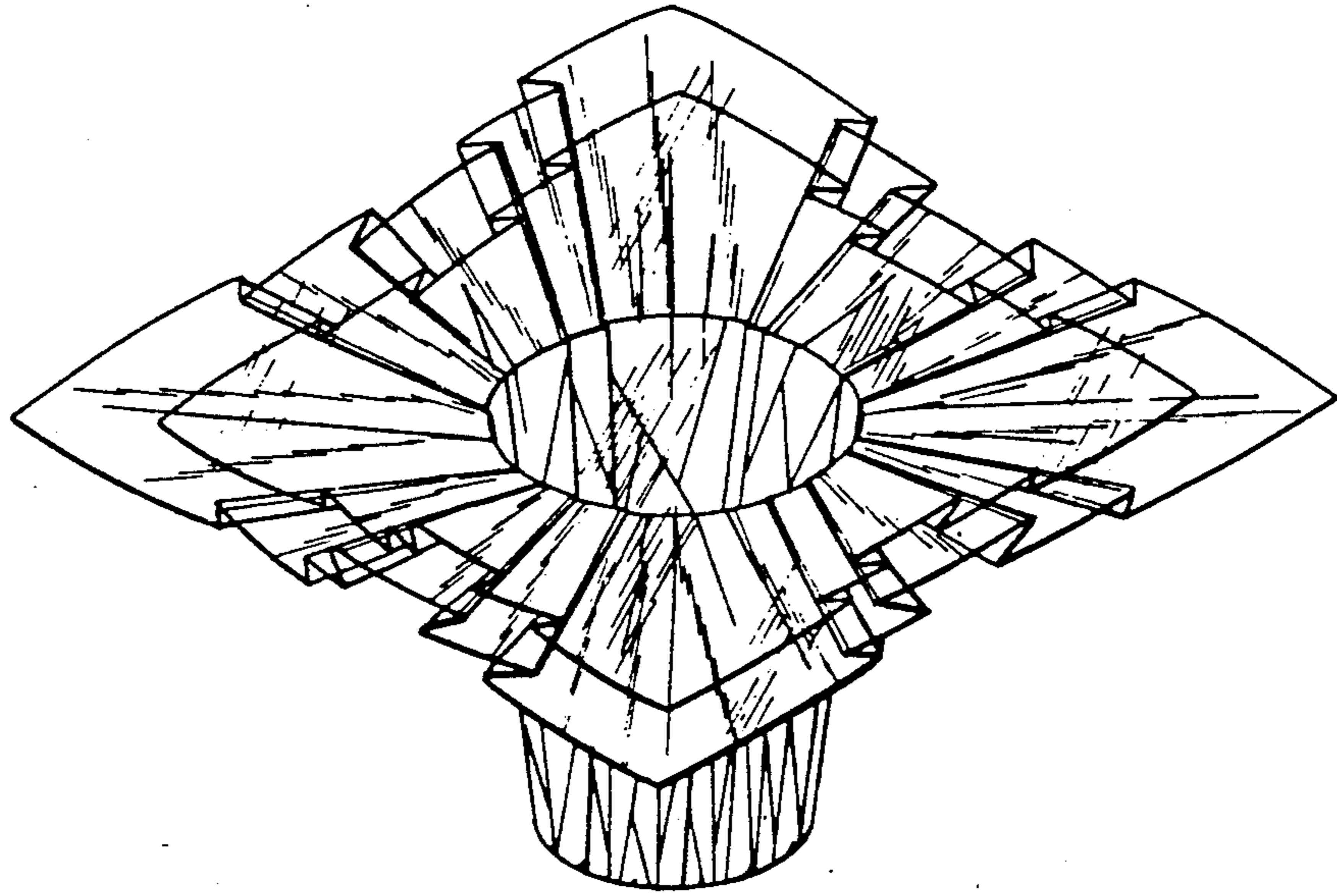


FIG. 1

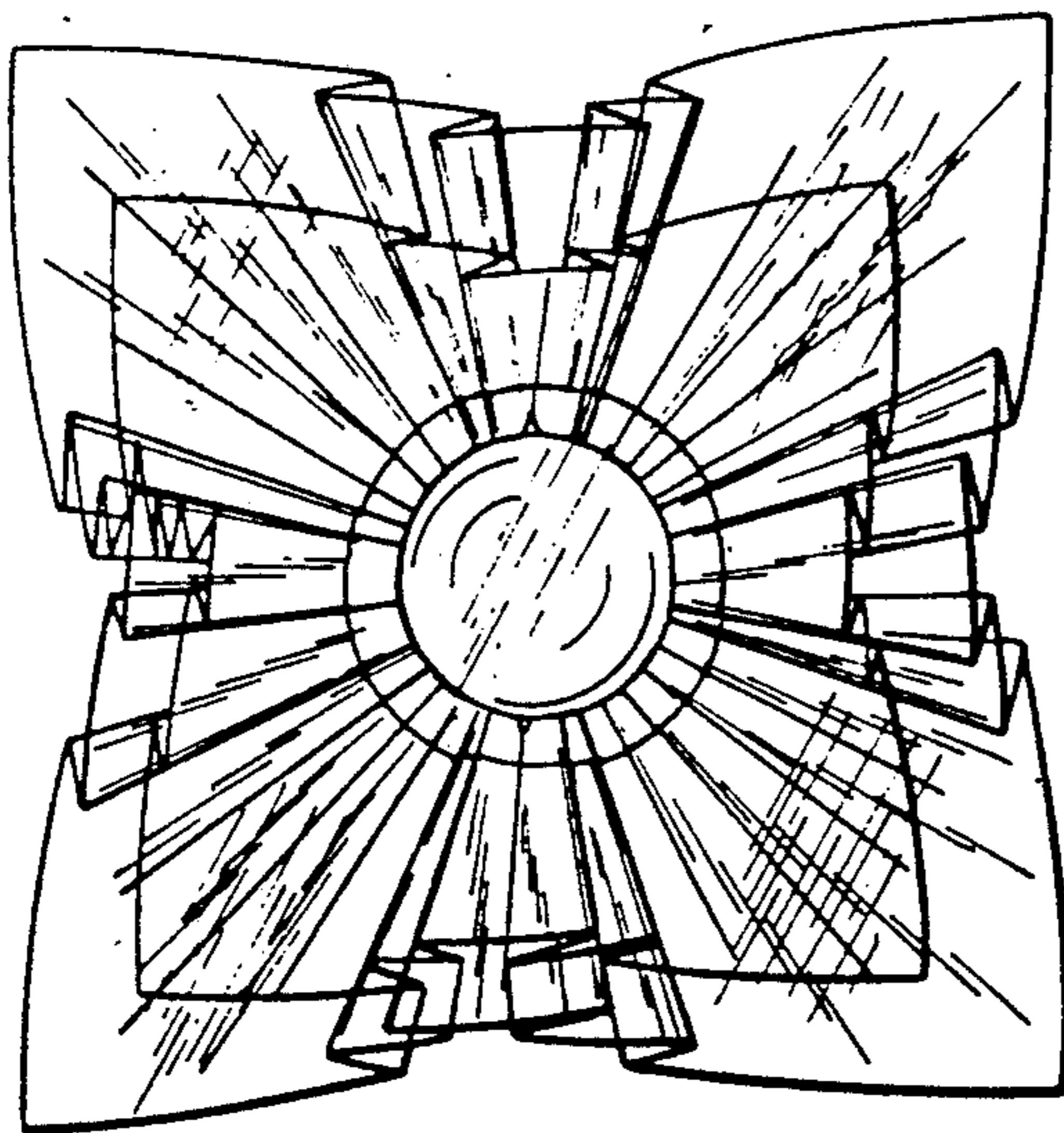


FIG. 2

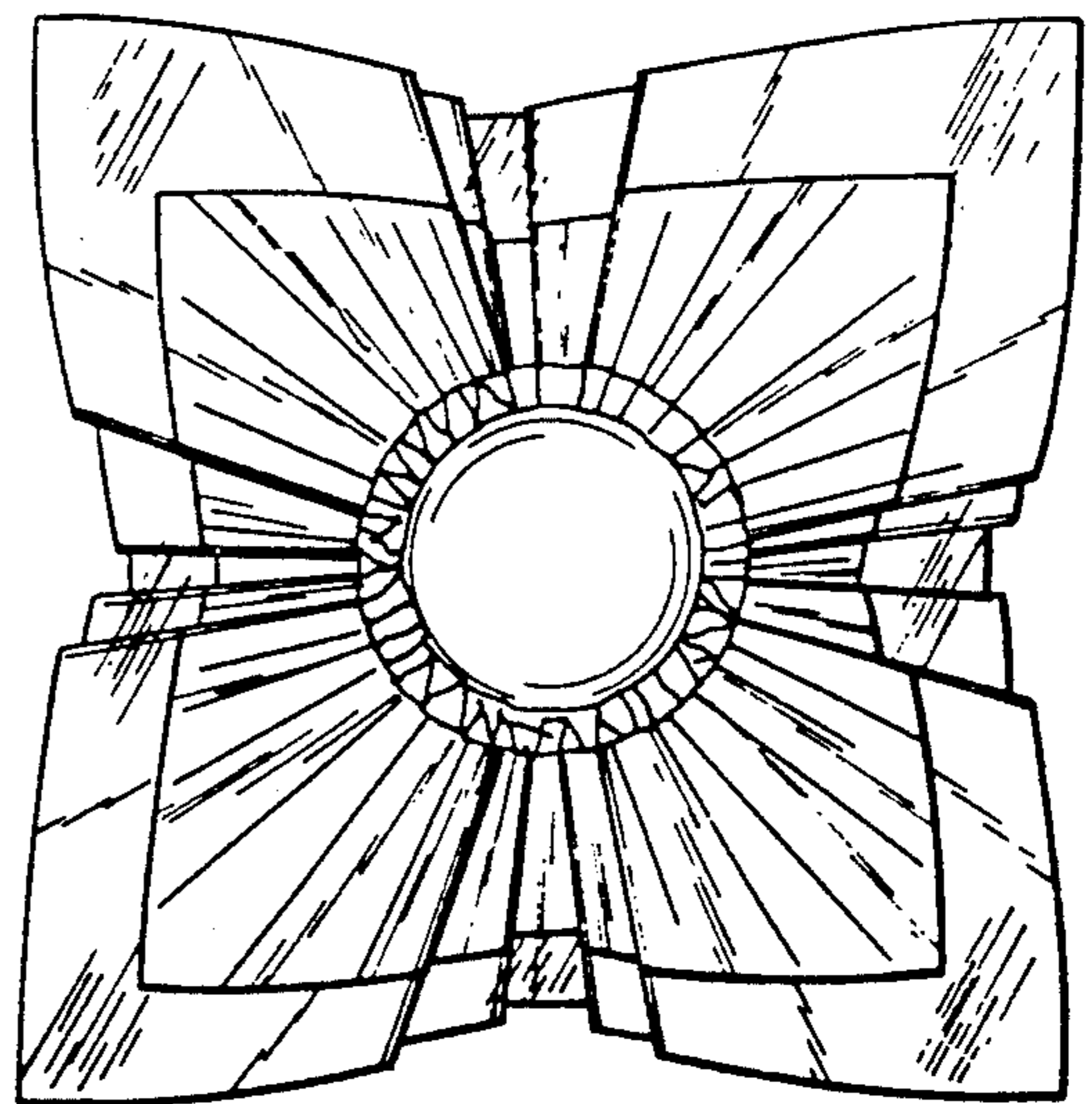


FIG. 3

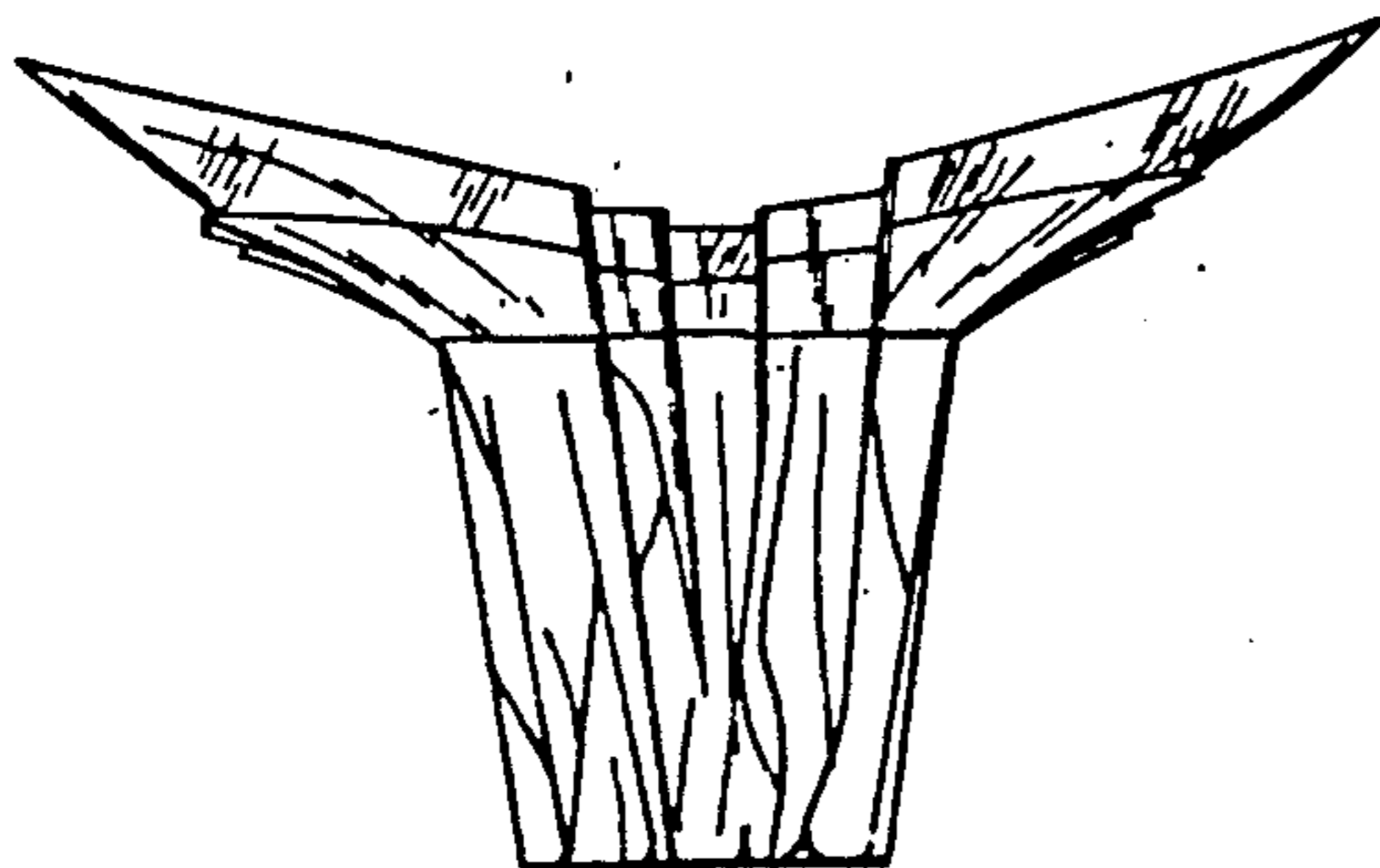


FIG. 4