

[54] CLOCK FACE

[76] Inventors: Donald A. Peacock, 26 Skylark La., Stony Brook, N.Y. 11790; Daniel T. McBryde, 1208 Oakwood Dr., Colonial Heights, Va. 23834

[**] Term: 14 Years

[21] Appl. No.: 218,121

[22] Filed: Jul. 13, 1988

[52] U.S. Cl. D10/125

[58] Field of Search D10/1-40, D10/122-132; 368/223, 228, 232, 238, 276-277, 280-282, 285

[56] References Cited

U.S. PATENT DOCUMENTS

- D. 90,327 5/1933 Lux .
- D. 117,896 12/1939 Bruce D10/28
- D. 131,208 1/1942 Kauffman .
- D. 192,640 4/1962 Florian .
- D. 208,801 10/1967 McLeod .
- D. 221,243 7/1971 Guth .
- D. 233,027 10/1974 Friedel .
- D. 260,379 8/1981 Tkac .

- D. 260,499 9/1981 Cheshaek .
- D. 263,812 4/1982 Fuerneisen D10/15
- D. 294,236 2/1988 Mattes .
- D. 309,437 7/1990 Ng D10/18
- 4,310,908 1/1982 Fuerneisen 368/277 X

OTHER PUBLICATIONS

Advertisement—"The Weekend Shopper", Insight, Jun. 27, 1988.

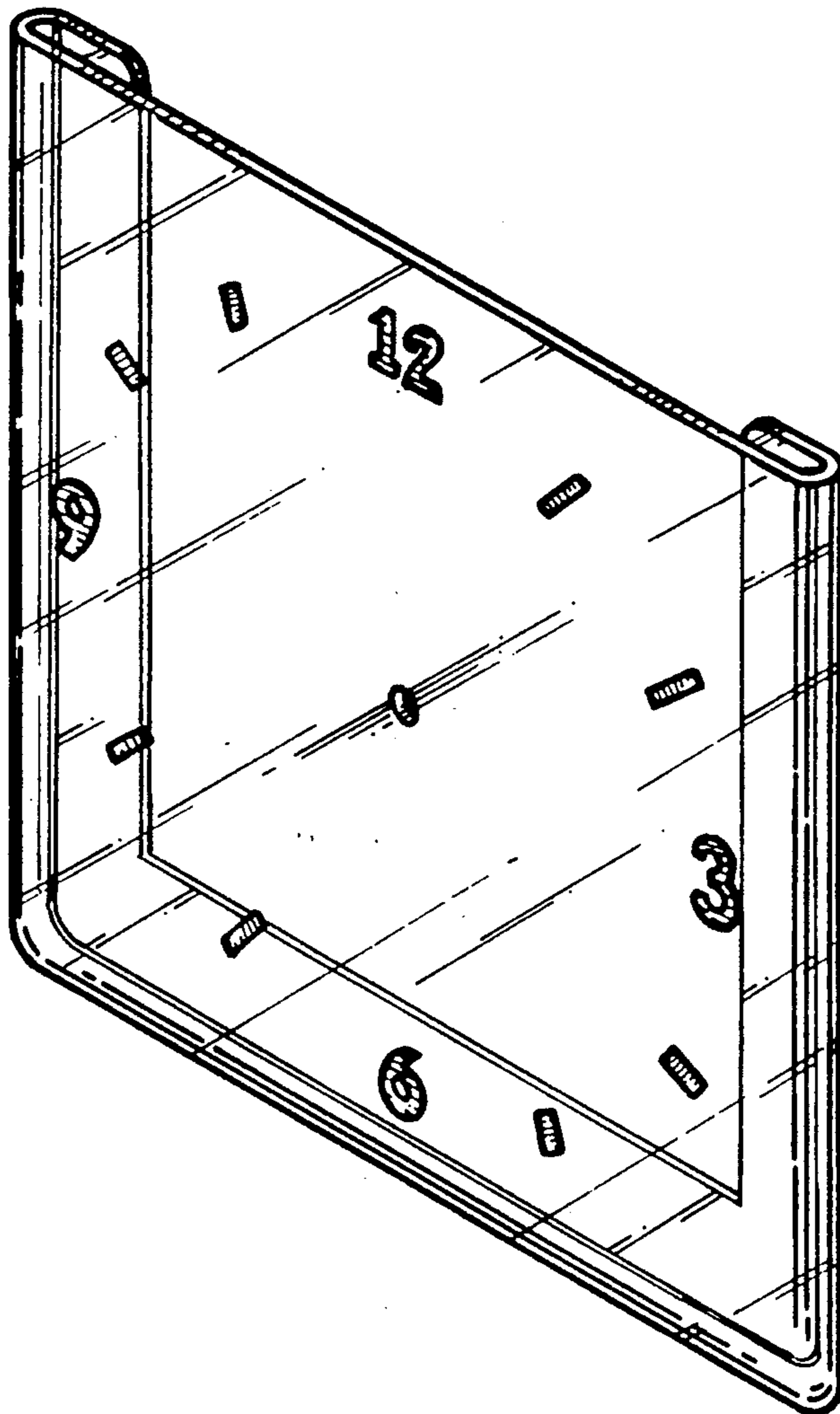
Primary Examiner—Nelson C. Holtje
Attorney, Agent, or Firm—Oliff & Berridge

[57] CLAIM

The ornamental design for clock face, as shown and described.

DESCRIPTION

FIG. 1 is a top and right front perspective view of a clock face showing my new design; FIG. 2 is a typical side elevational view thereof; FIG. 3 is a rear elevational view thereof; and FIG. 4 is a rear elevational view of another embodiment of my new design of FIGS. 1-3, the broken-line showing being for environmental purposes only and forming no part of the claimed design.



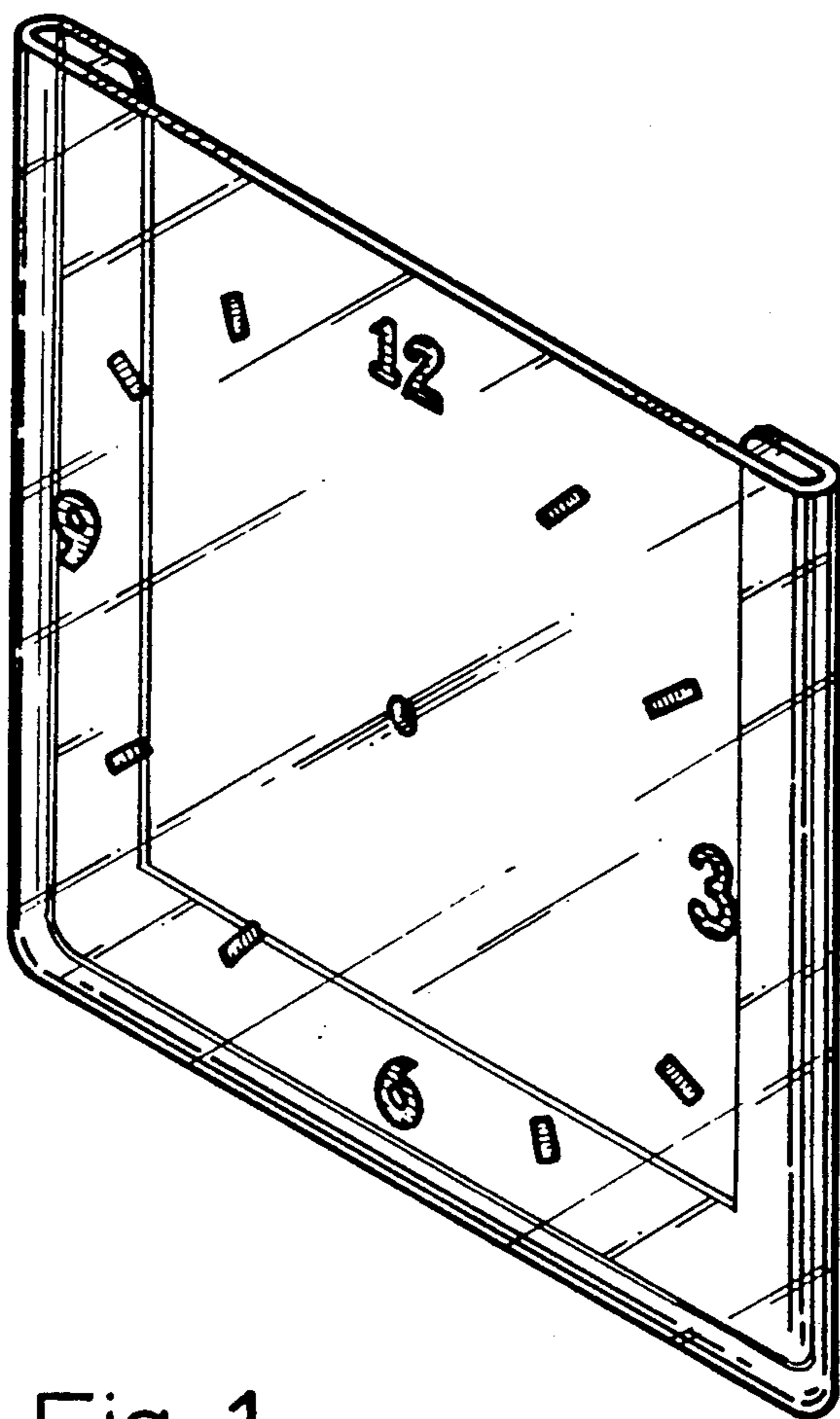


Fig. 1



Fig. 2

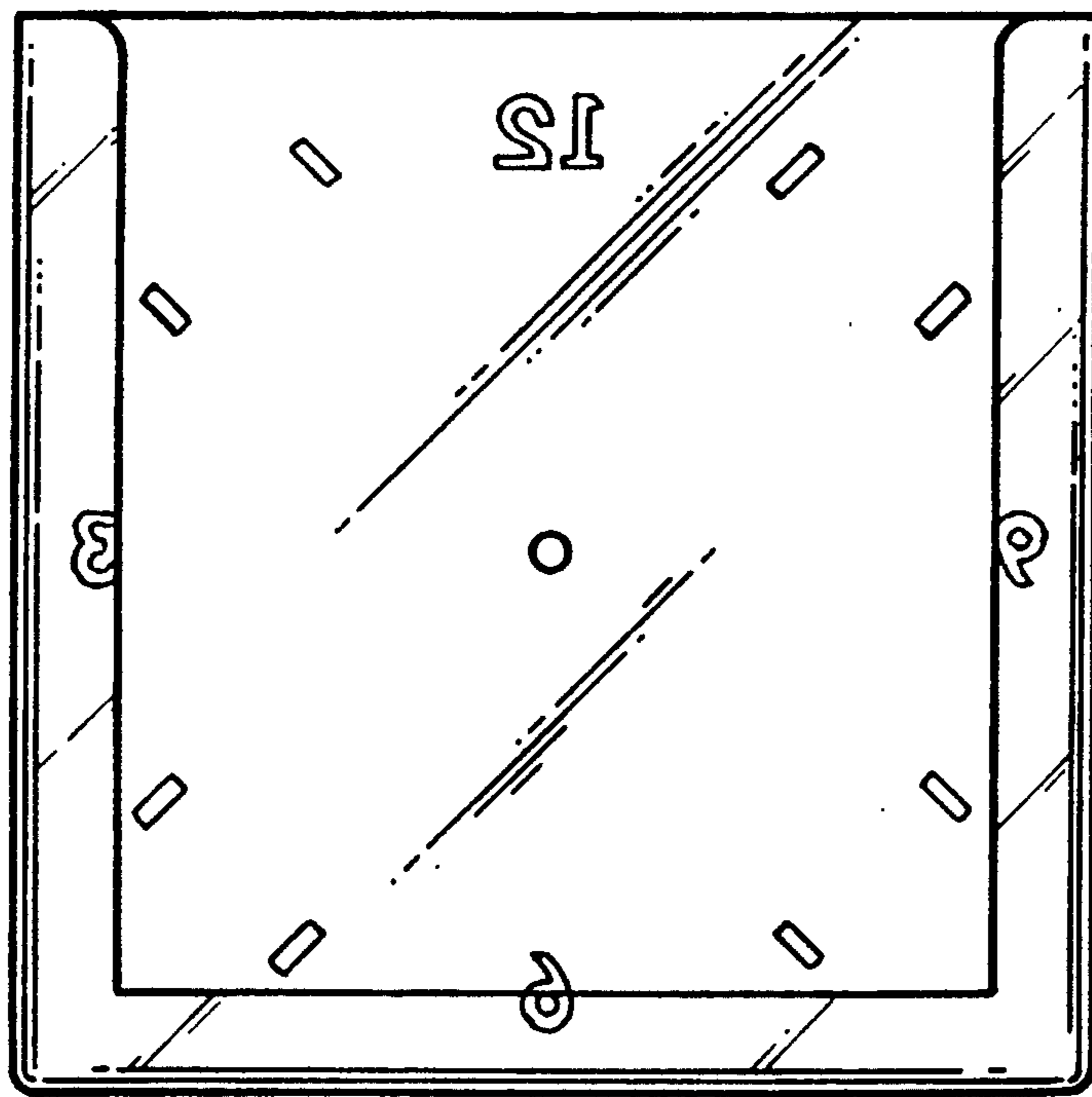


Fig. 3

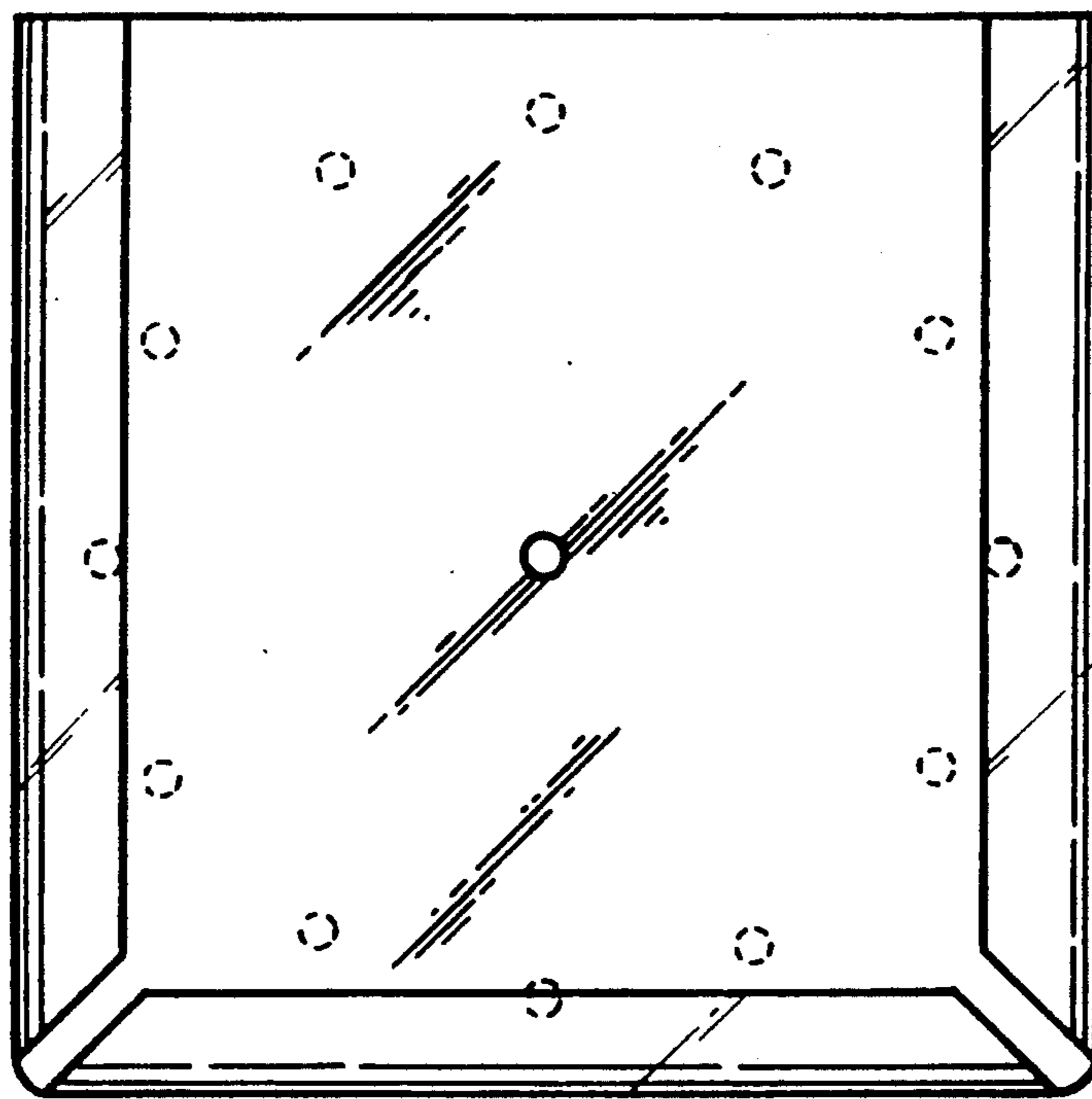


Fig. 4