

United States Patent [19]

Ueno

[11] Patent Number: **Des. 319,987**

[45] Date of Patent: **** Sep. 17, 1991**

[54] **PORTABLE ENGINE DIAGNOSTIC TESTER**

[75] Inventor: **Hiroyuki Ueno, Oomiya, Japan**

[73] Assignee: **Fuji Jukogyo Kabushiki Kaisha, Tokyo, Japan**

[**] Term: **14 Years**

[21] Appl. No.: **320,752**

[22] Filed: **Mar. 6, 1989**

[30] **Foreign Application Priority Data**

Sep. 9, 1988 [JP] Japan 63-35758

[52] U.S. Cl. **D10/78**

[58] Field of Search **D10/46, 75, 78;**
D14/100, 107, 114; 73/116, 117.2, 117.3;
324/378, 379-401, 158 MG; 340/425.5, 515;
364/424.03, 424.04, 551.01, 570

[56] **References Cited**

U.S. PATENT DOCUMENTS

D. 201,767 7/1965 Huntsman D10/46
D. 204,936 5/1966 Morrison D10/78
D. 241,726 10/1976 D'Antonio D10/46
D. 260,617 9/1981 Lawson, II et al. D10/75 X
D. 268,172 3/1983 Chirkov et al. D10/78
D. 276,028 10/1984 Crotty et al. D10/75
D. 299,439 1/1989 Farguhar et al. D10/75
3,099,817 7/1963 Kendall 364/424.04 X

4,113,980 9/1978 Bell 73/117.2 X
4,207,611 6/1980 Gordon 364/424.03 X
4,943,238 7/1990 Gregorio 73/117.3 X
4,975,847 12/1990 Abe et al. 364/424.03

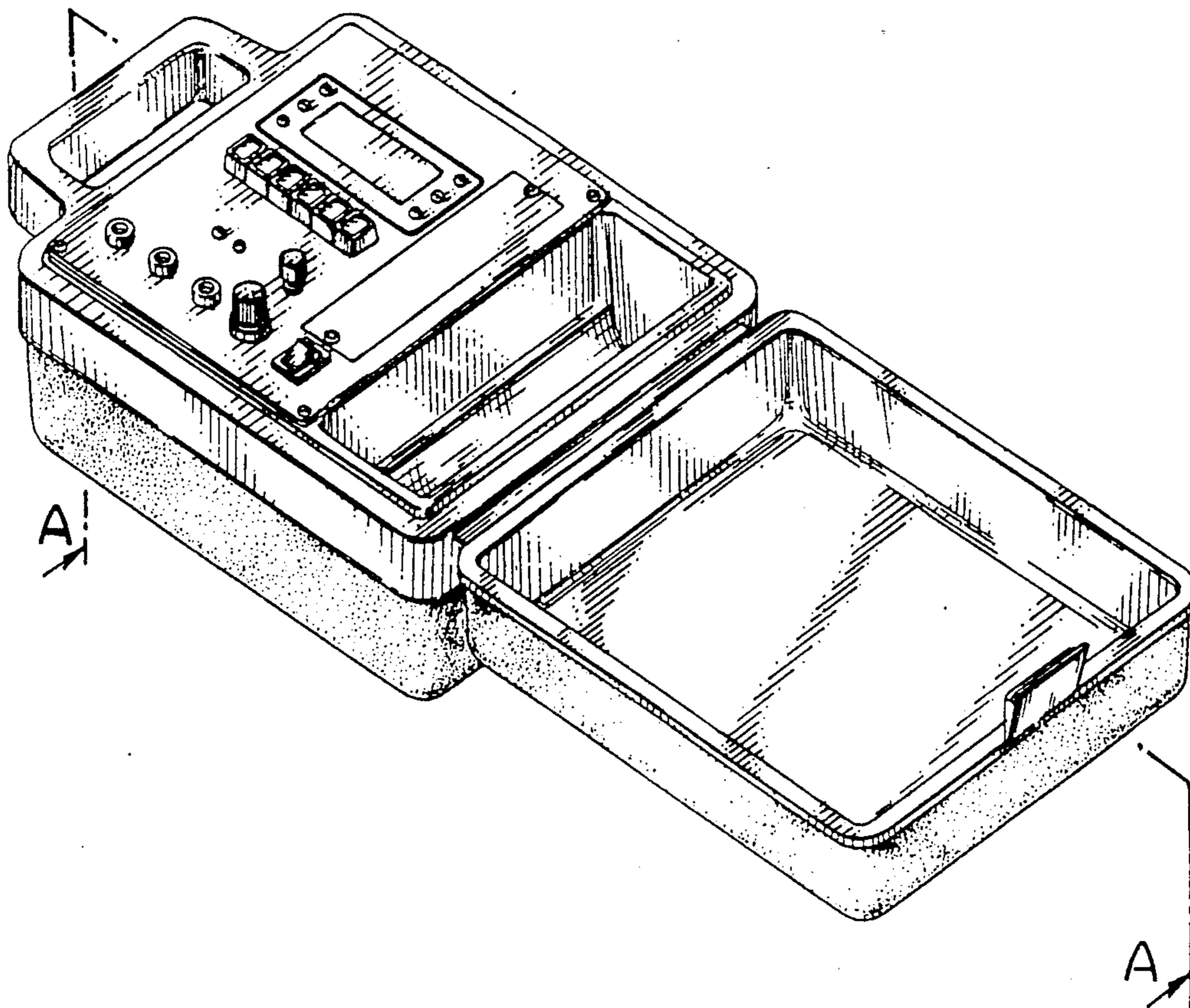
Primary Examiner—Nelson C. Holtje
Assistant Examiner—Antoine D. Davis
Attorney, Agent, or Firm—Martin A. Farber

[57] **CLAIM**

The ornamental design for a portable engine diagnostic tester, as shown.

DESCRIPTION

FIG. 1 is a top, rear and left side perspective view of a portable engine diagnostic tester showing my new design, with the cover in an open position;
FIG. 2 is a top, front and right side perspective view, with the cover in an closed position;
FIG. 3 is a top plan view;
FIG. 4 is a bottom plan view;
FIG. 5 is a front elevational view;
FIG. 6 is a rear elevational view;
FIG. 7 is a right side elevational view;
FIG. 8 is a left side elevational view;
FIG. 9 is a cross-sectional view taken along line A—A of FIG. 1; and
FIG. 10 is a cross-sectional view taken along line B—B of FIG. 2 thereof, with the cover in a closed position.
The cover shown in FIGS. 3-9 is in an closed position.



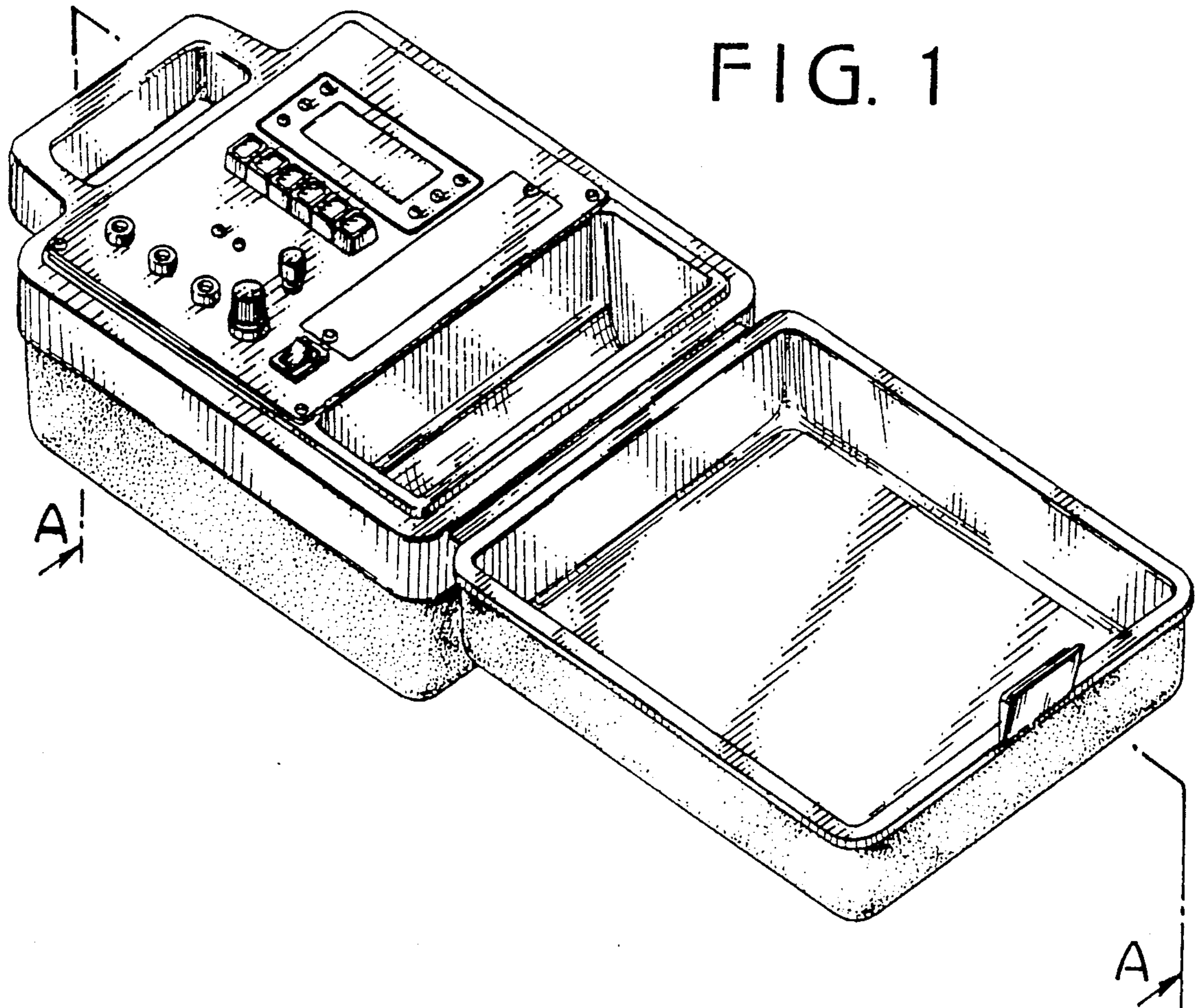
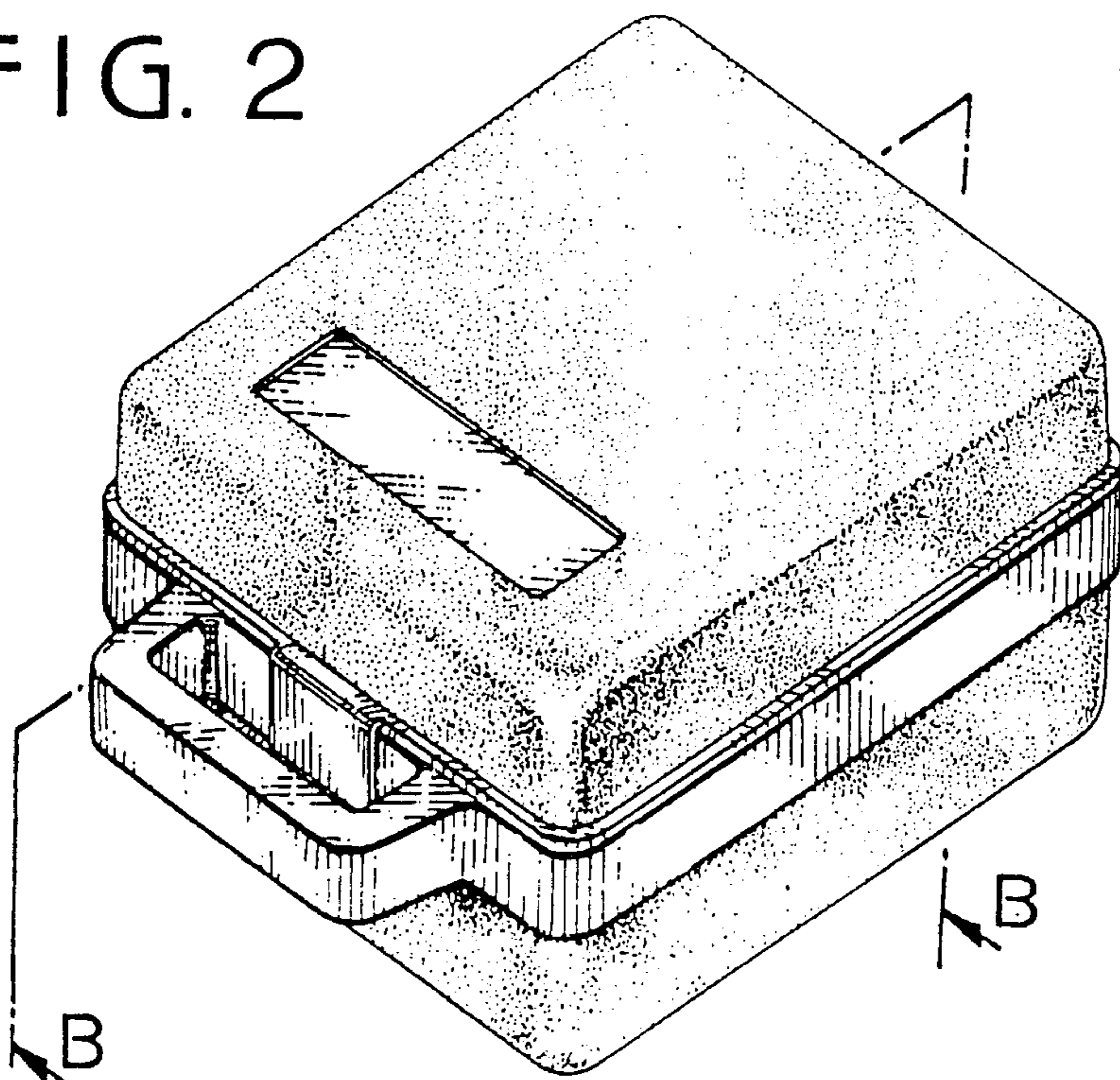


FIG. 2



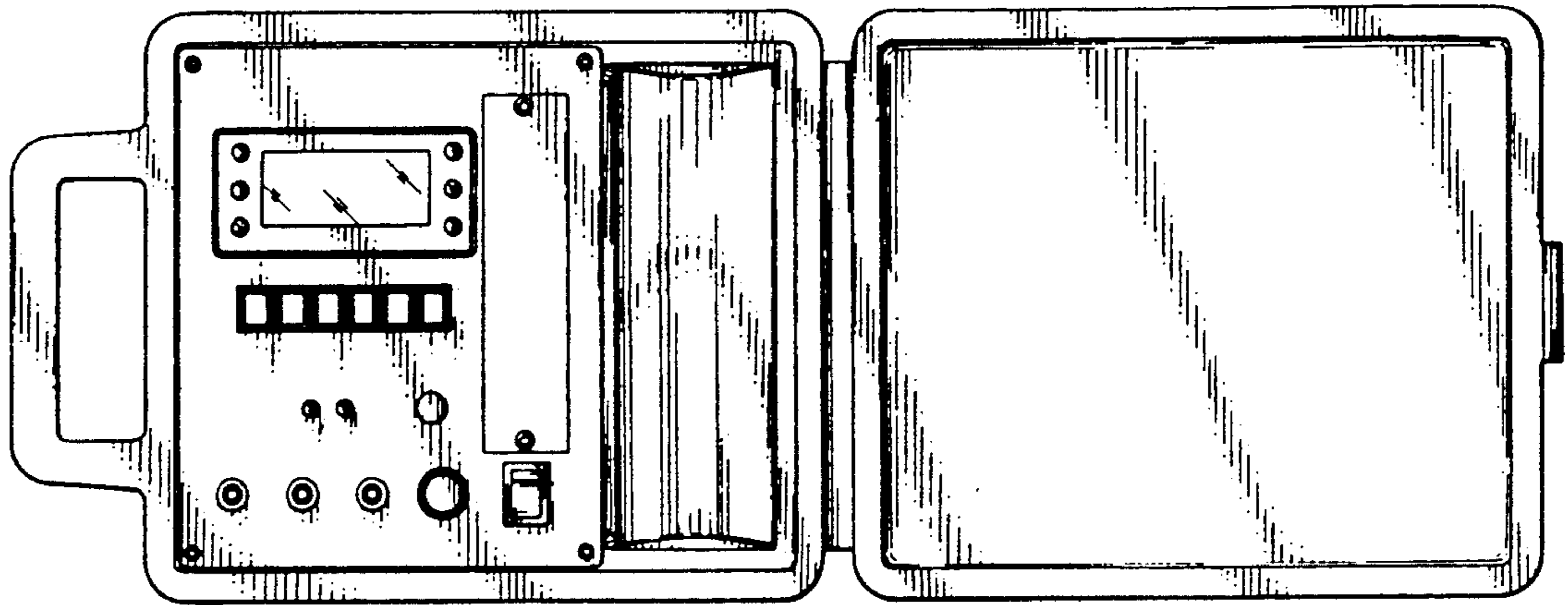


FIG. 3

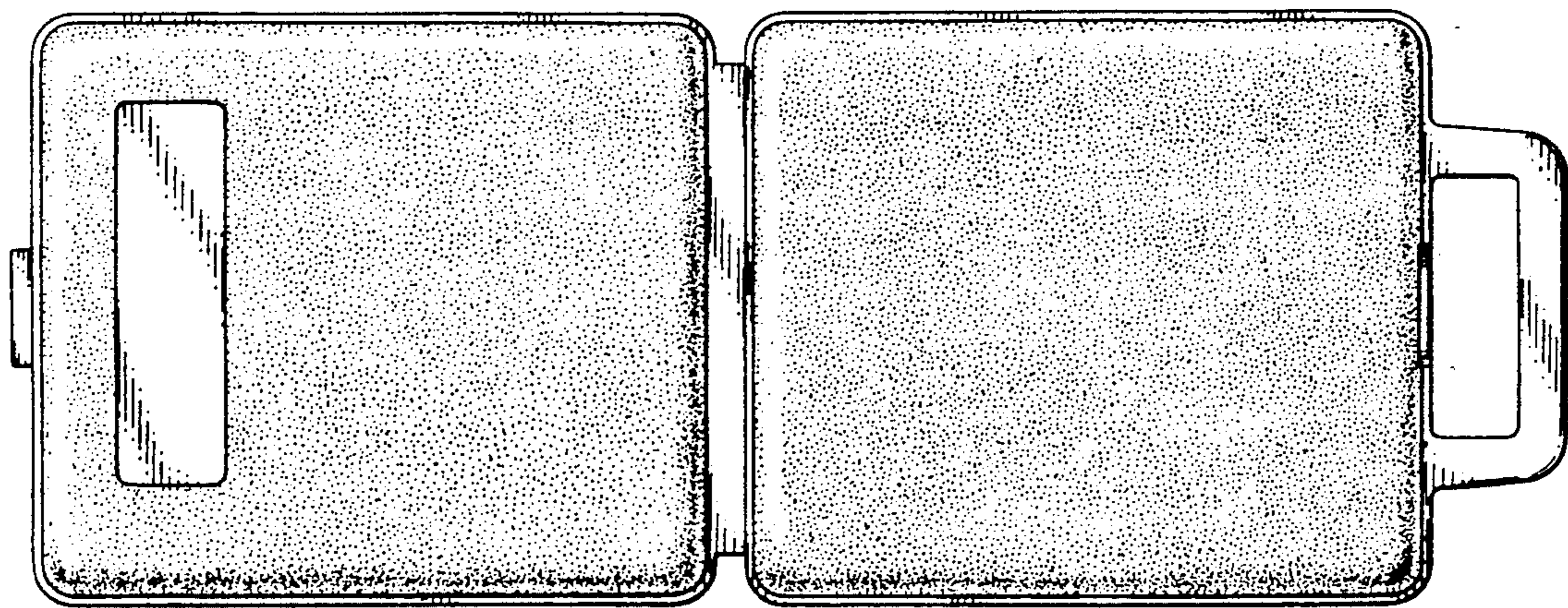


FIG. 4

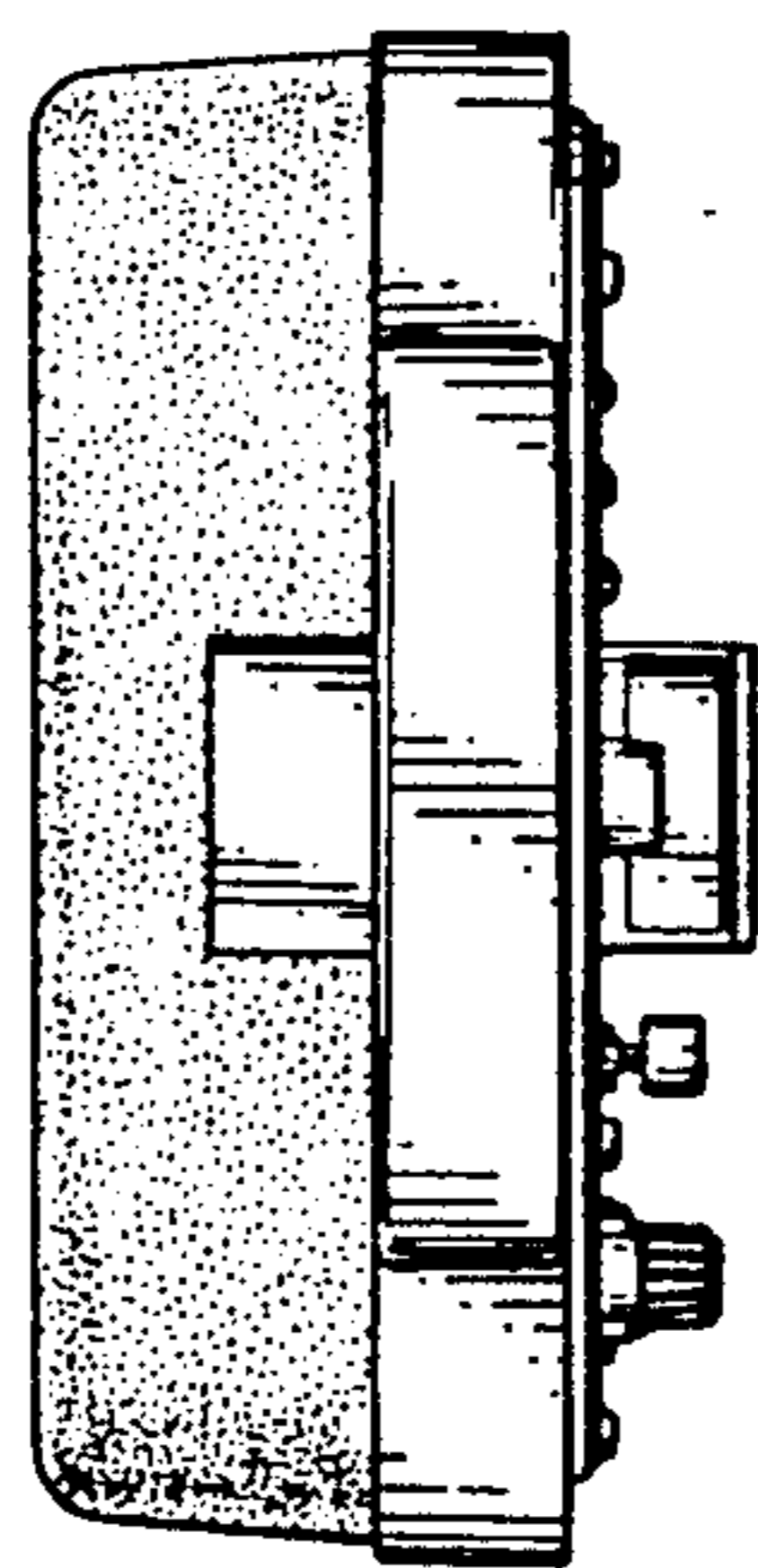


FIG. 5

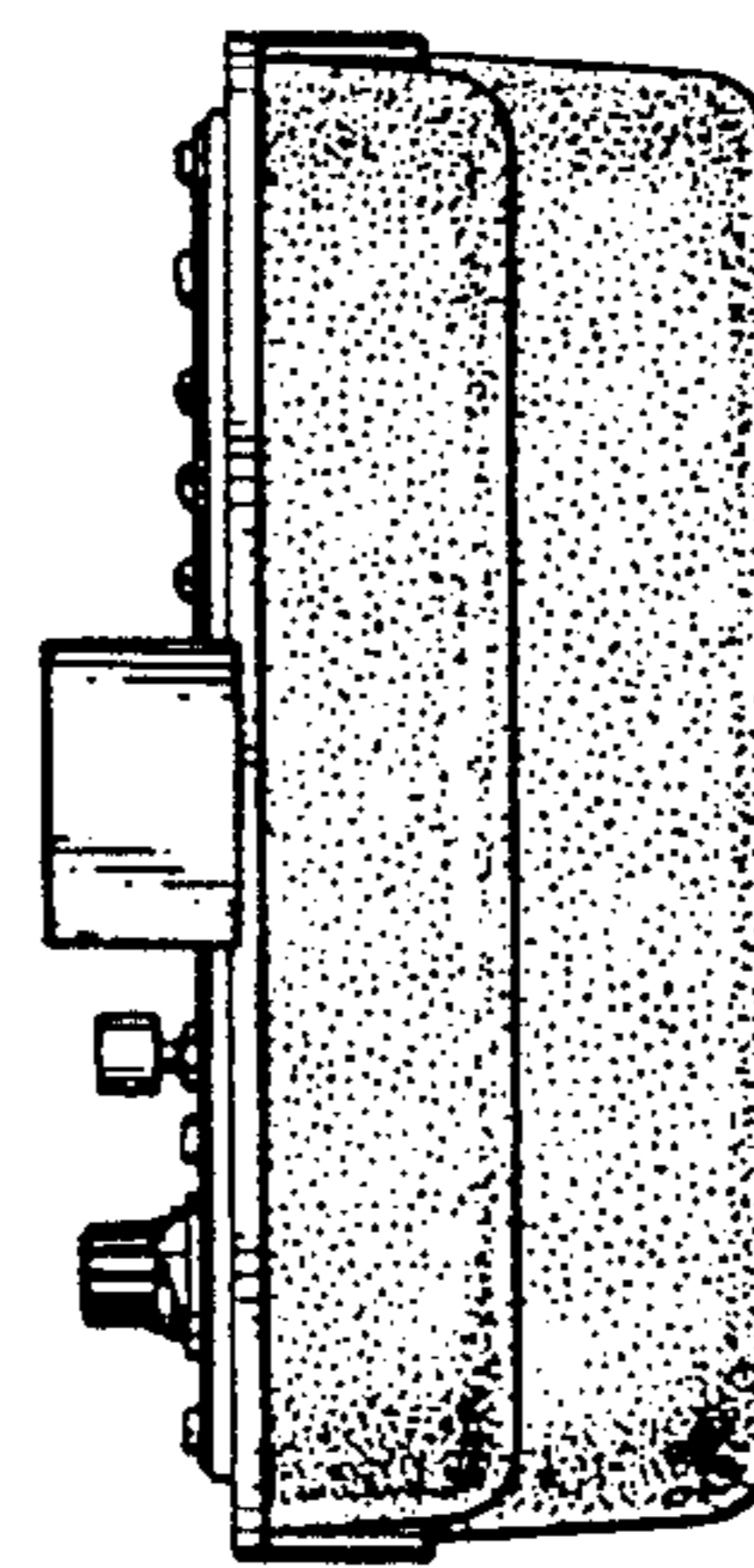


FIG. 6

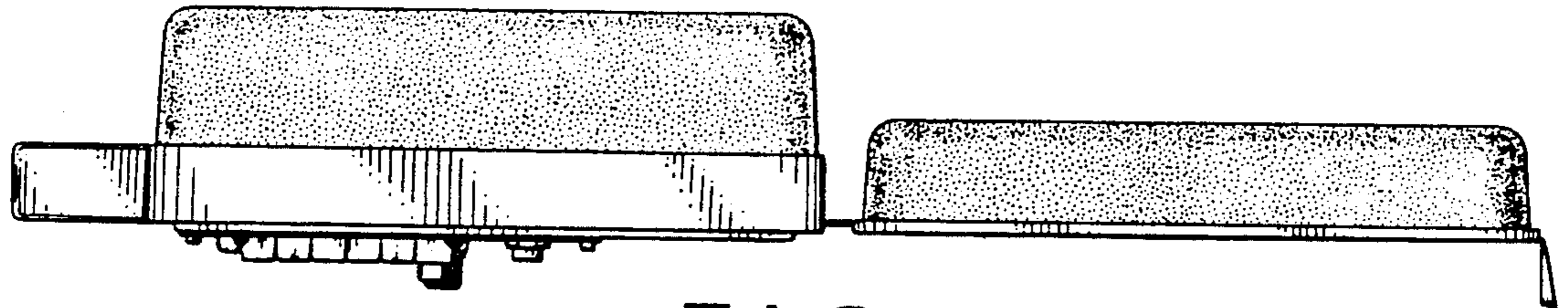


FIG. 7

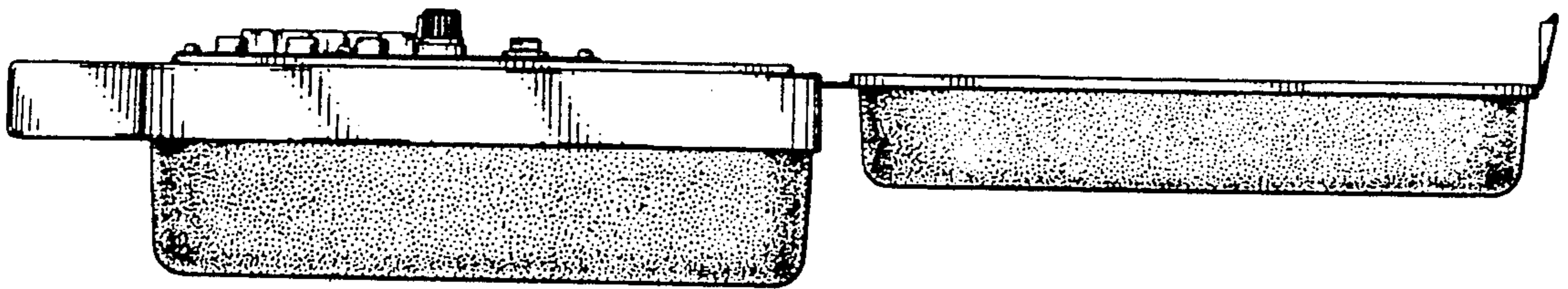


FIG. 8

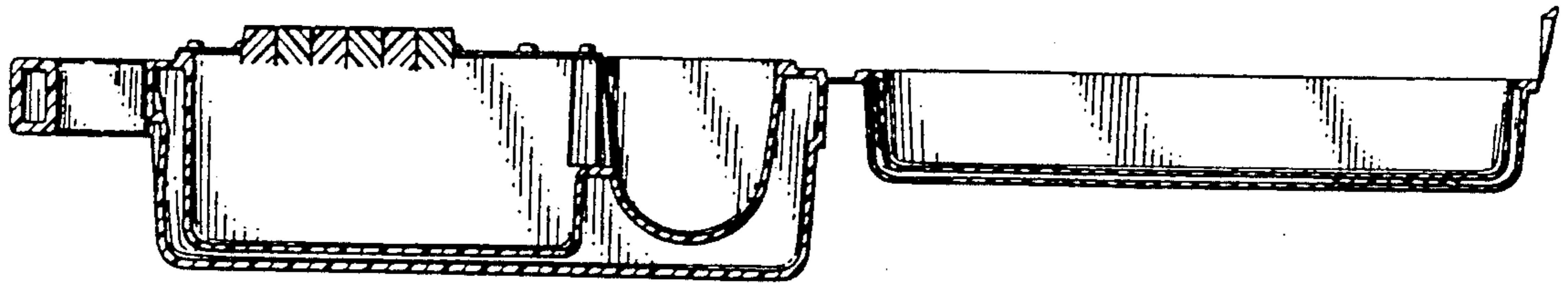


FIG. 9

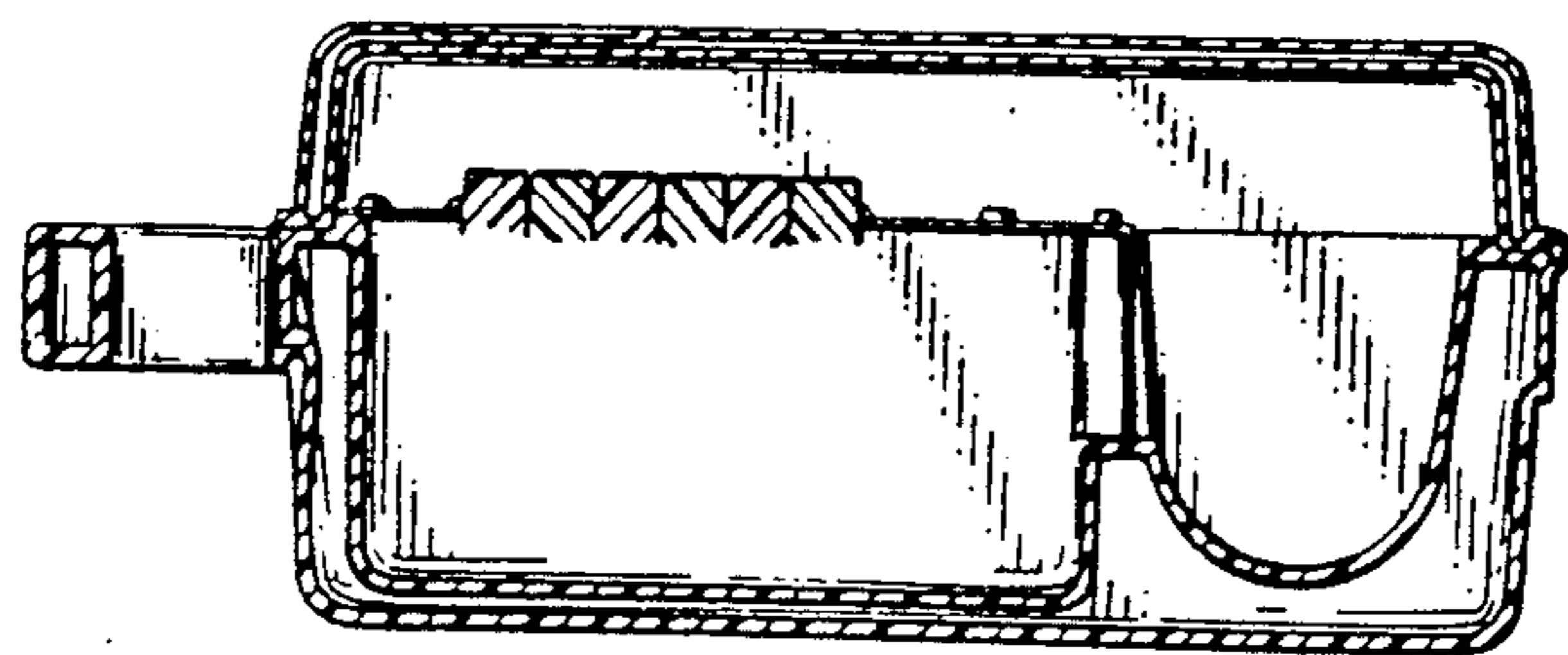


FIG. 10