

[54] HEIGHT FINDER FOR A SURVEYING INSTRUMENT SUPPORT

1,654,164 12/1927 Eldridge 33/755 X
3,808,692 5/1974 Gartner D10/72 X
3,824,695 7/1974 McClay, Jr. 33/759

[76] Inventor: Edgar E. Dudley, 5352 First Ave. North, Birmingham, Ala. 35212

Primary Examiner—Nelson C. Holtje
Assistant Examiner—Antoine D. Davis
Attorney, Agent, or Firm—Phillips & Beumer

[**] Term: 14 Years

[21] Appl. No.: 358,845

[57] CLAIM

[22] Filed: May 30, 1989

The ornamental design for a height finder for a surveying instrument support, as shown and described.

Related U.S. Application Data

DESCRIPTION

[63] Continuation-in-part of Ser. No. 889,010, Jul. 24, 1986, Pat. No. Des. 302,251, and Ser. No. 279,283, Dec. 5, 1988, Pat. No. 4,888,881.

FIG. 1 is a top, front and left side perspective view of a height finder for a surveying instrument support showing my new design, the dotted line showing of a tri-brach is environmental only and forms no part of the claimed design;

[52] U.S. Cl. D10/74

[58] Field of Search D10/61, 62, 63, 64, D10/65, 70, 71, 72, 74; 33/291, 292, 293, 299, 757, 755, 759, 760, 770

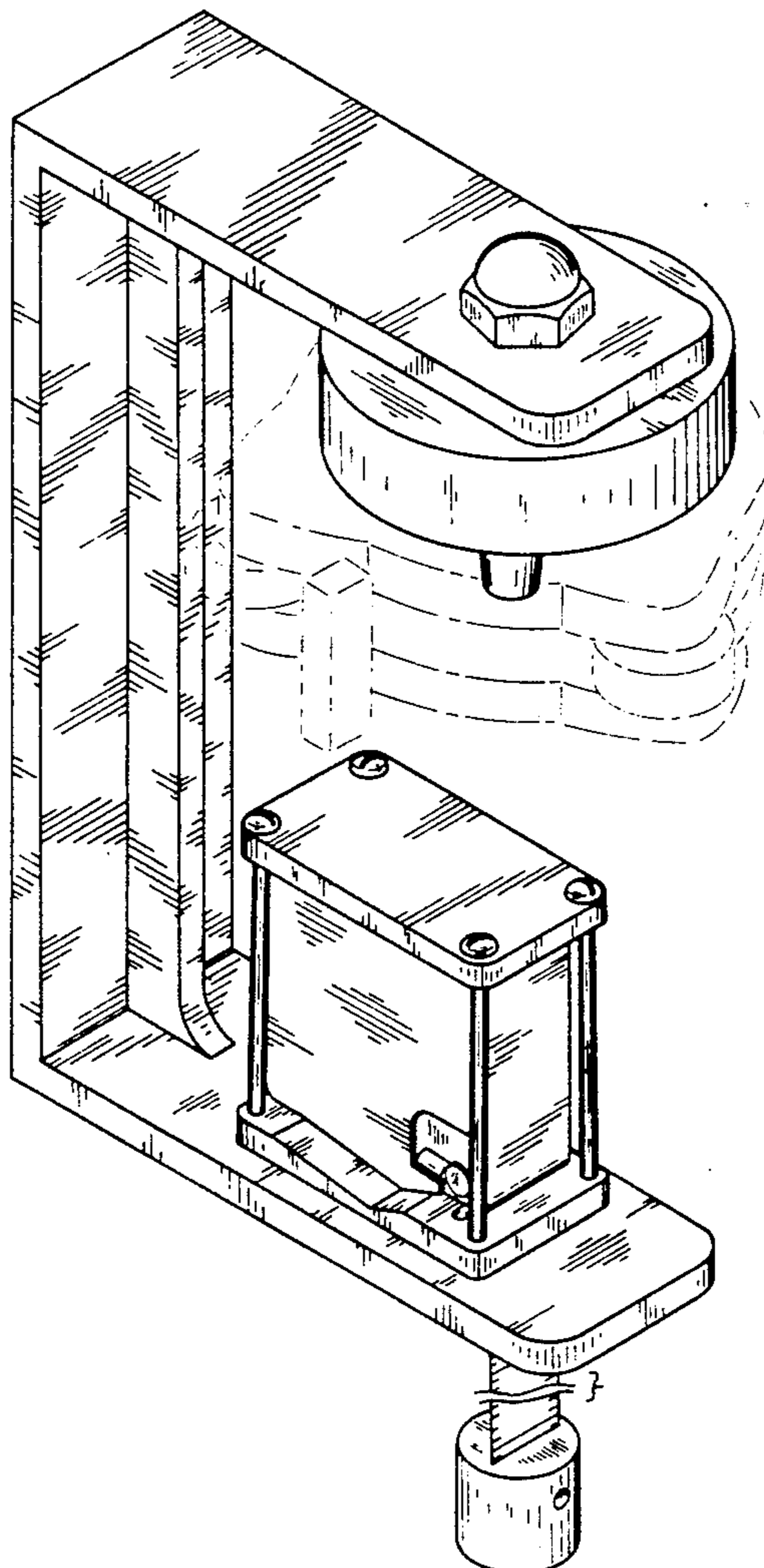
FIG. 2 is a top, front and right side perspective view; FIG. 3 is a top, rear and left side perspective view; FIG. 4 is a rear and bottom plan perspective view; FIG. 5 is a left side elevational view; and FIG. 6 is a sectional view taken along line 6—6 of FIG. 5 thereof.

[56] References Cited

U.S. PATENT DOCUMENTS

D. 255,104 5/1980 Haidek D10/74
D. 302,251 7/1989 Dudley D10/70 X

The broken line showings of FIG. 1 are environmental only and form no part of the claimed design.



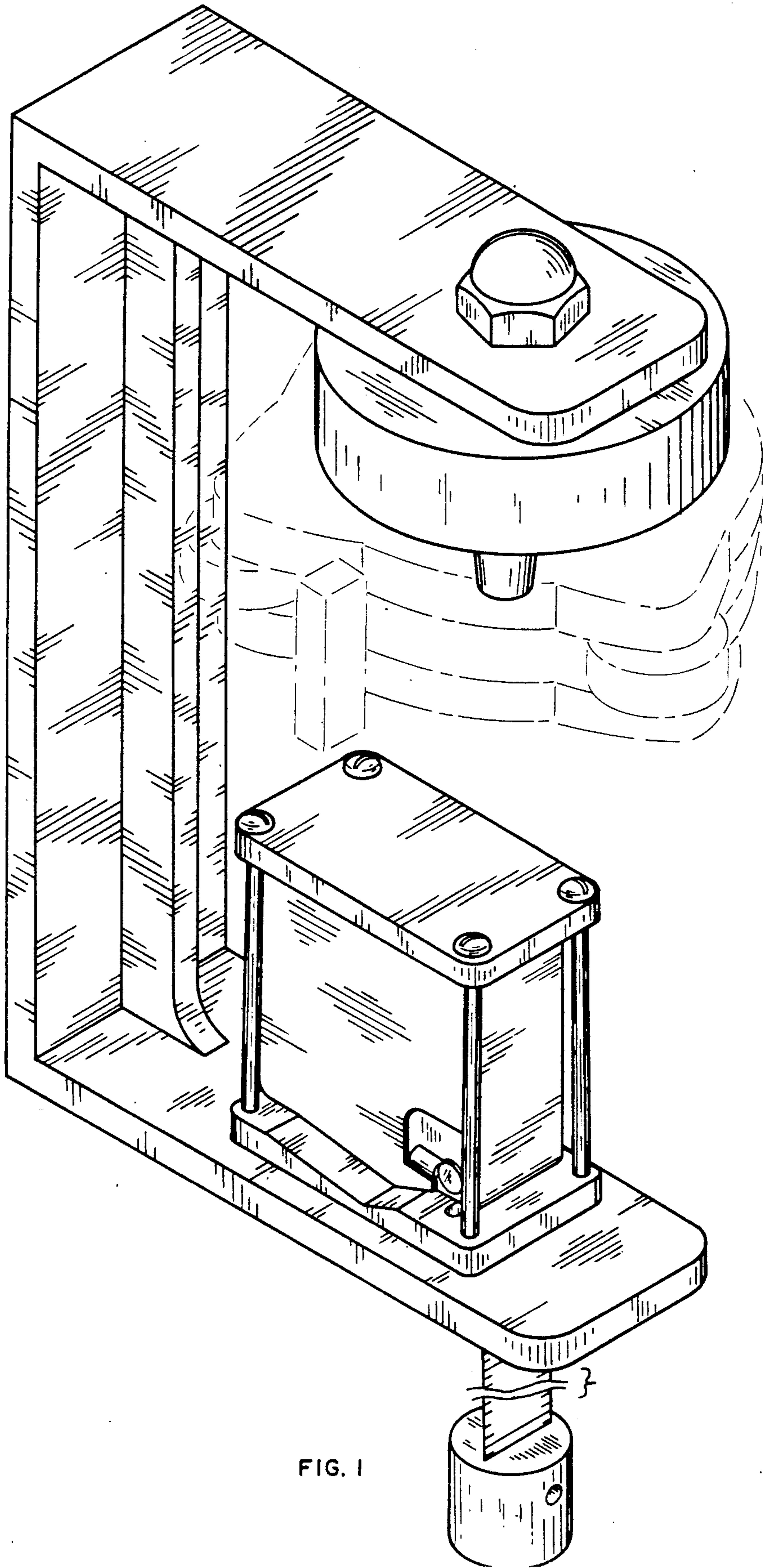


FIG. 1

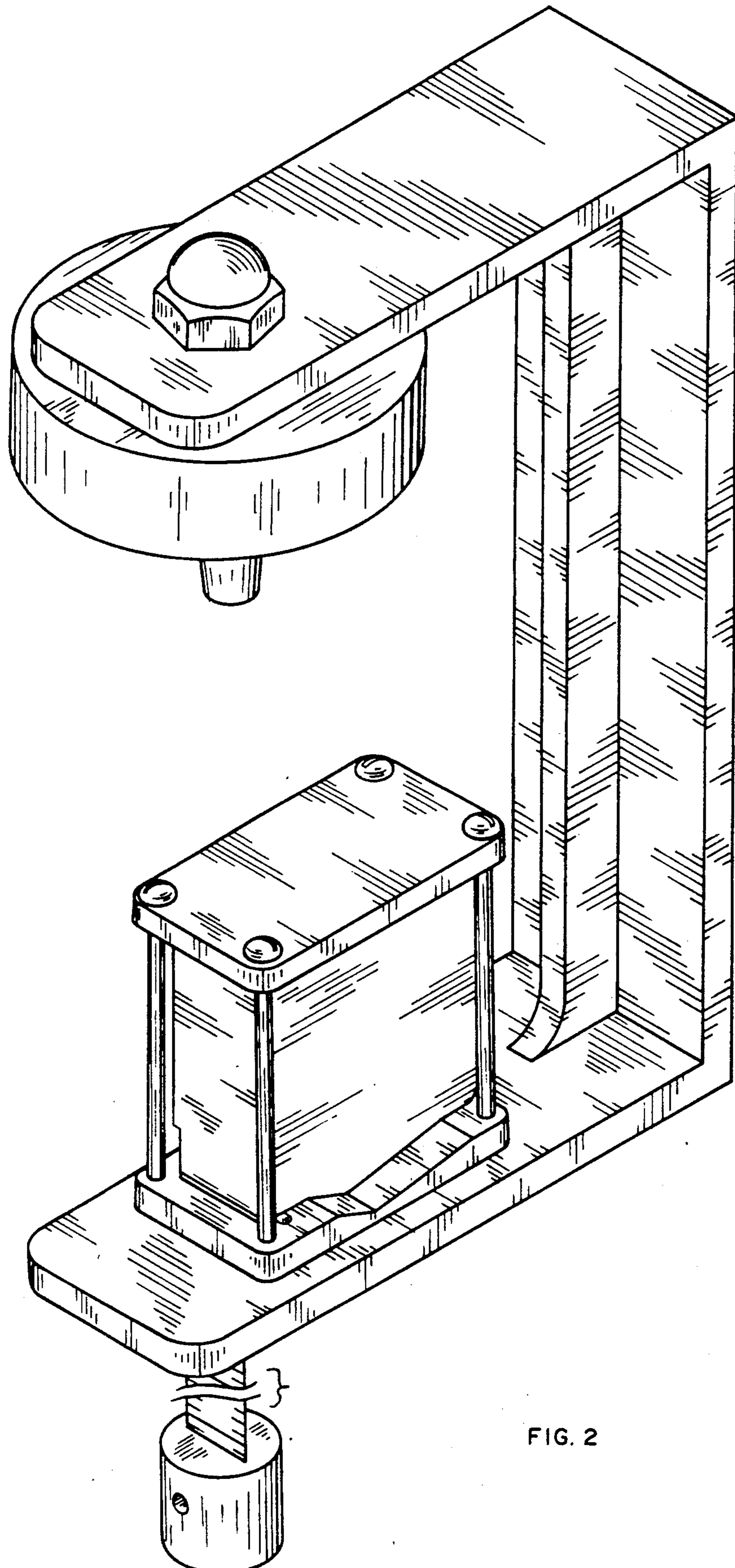


FIG. 2

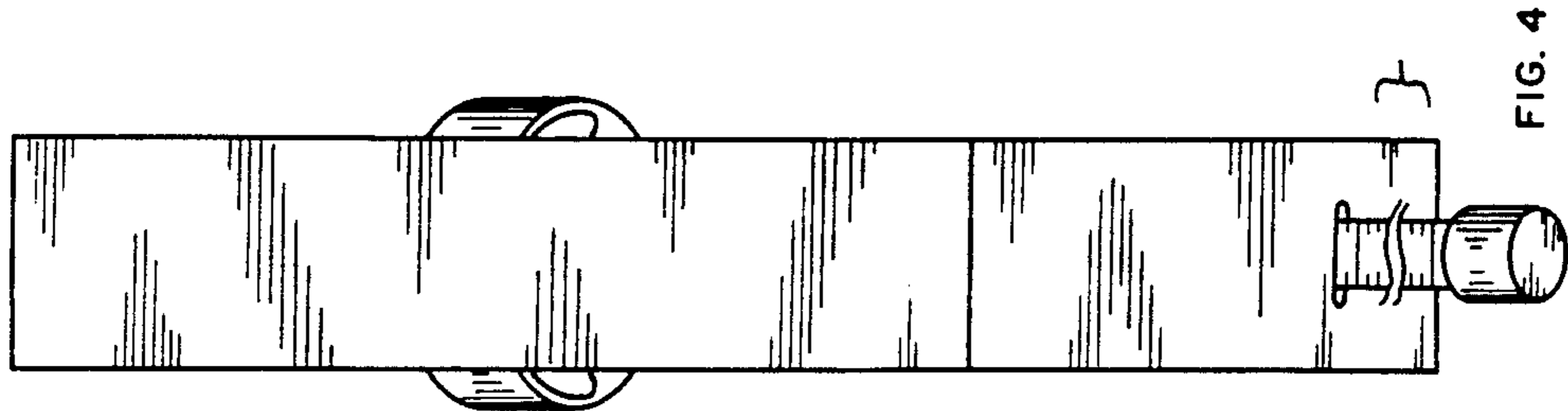


FIG. 4

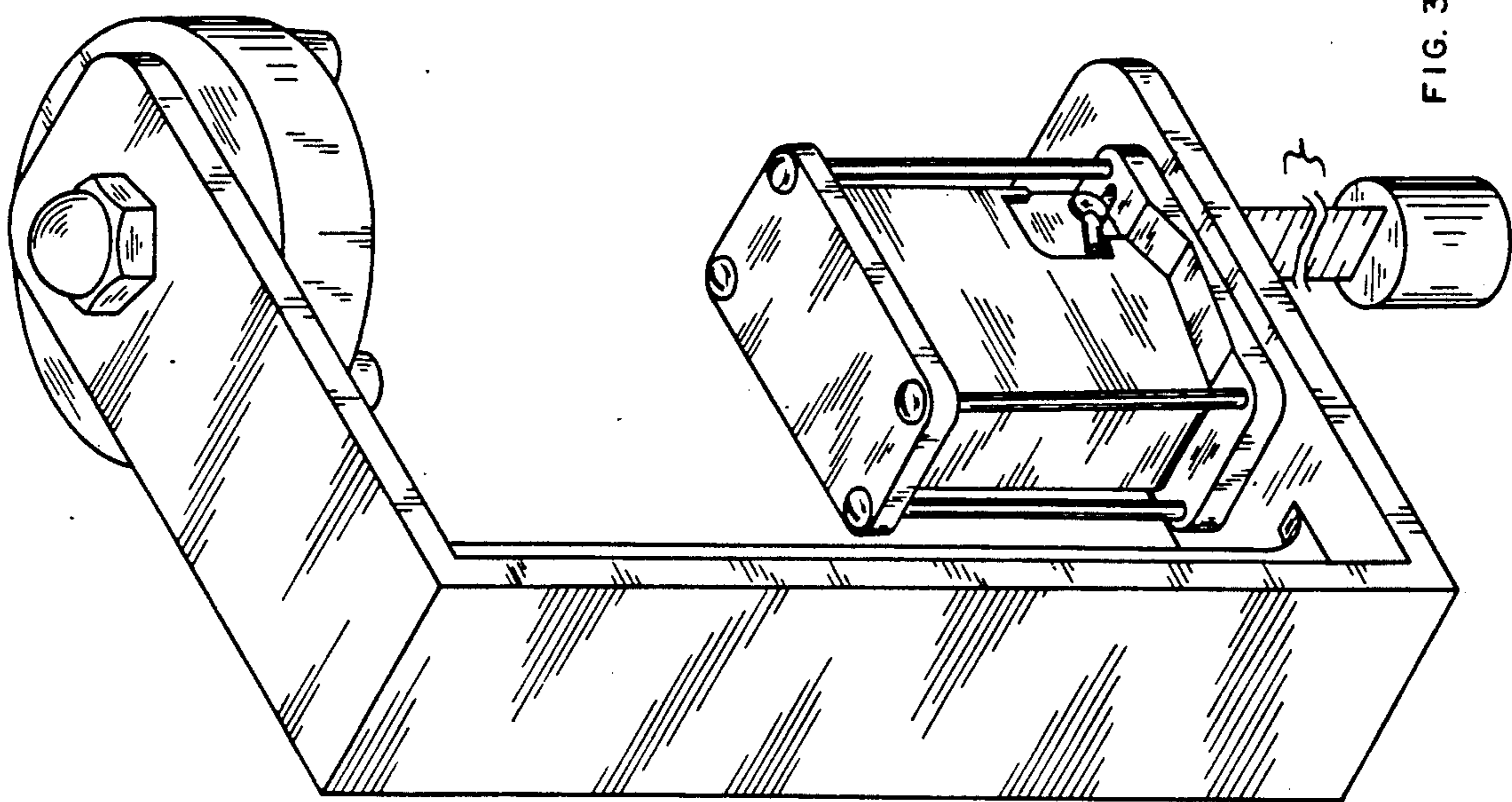


FIG. 3

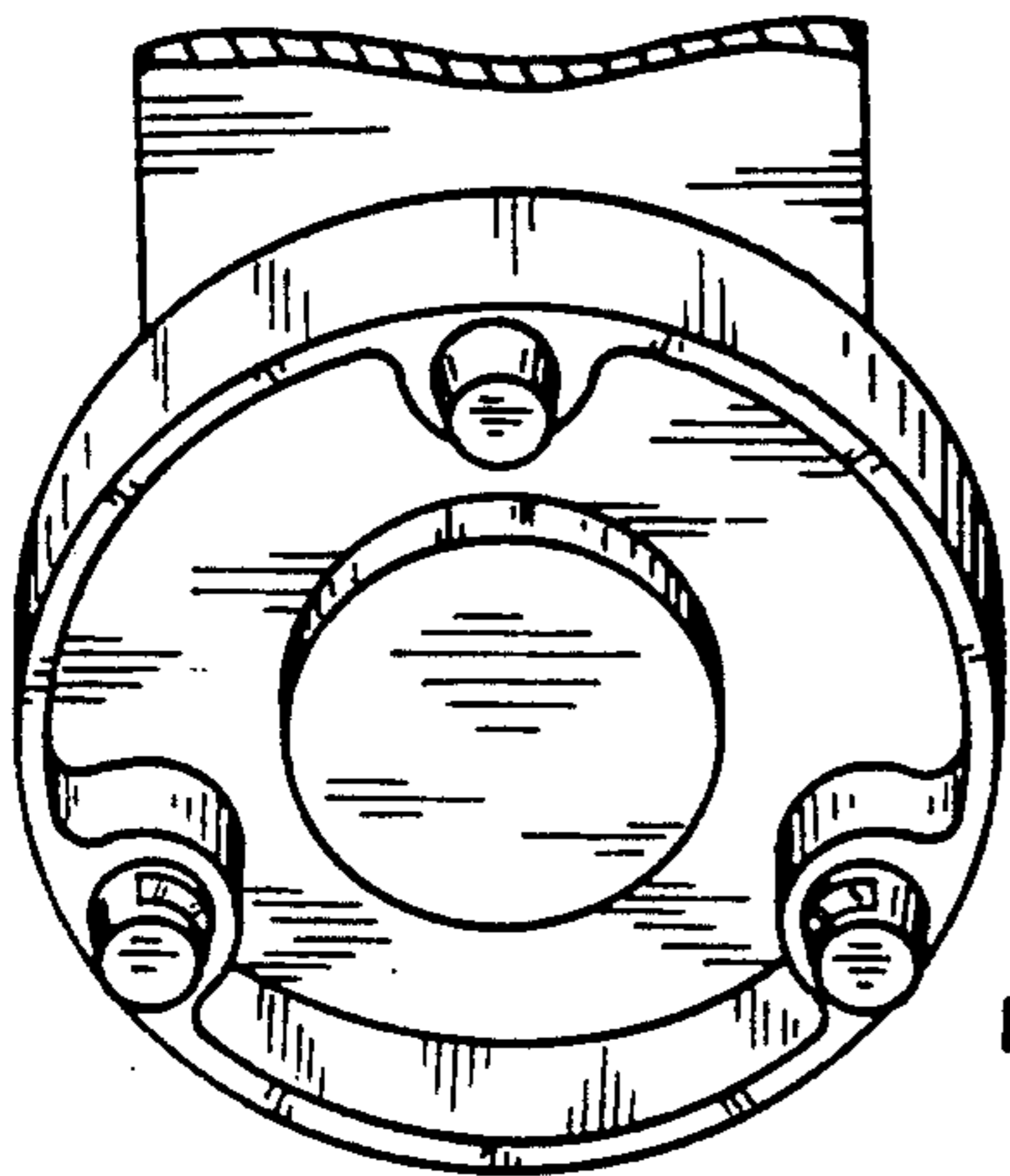
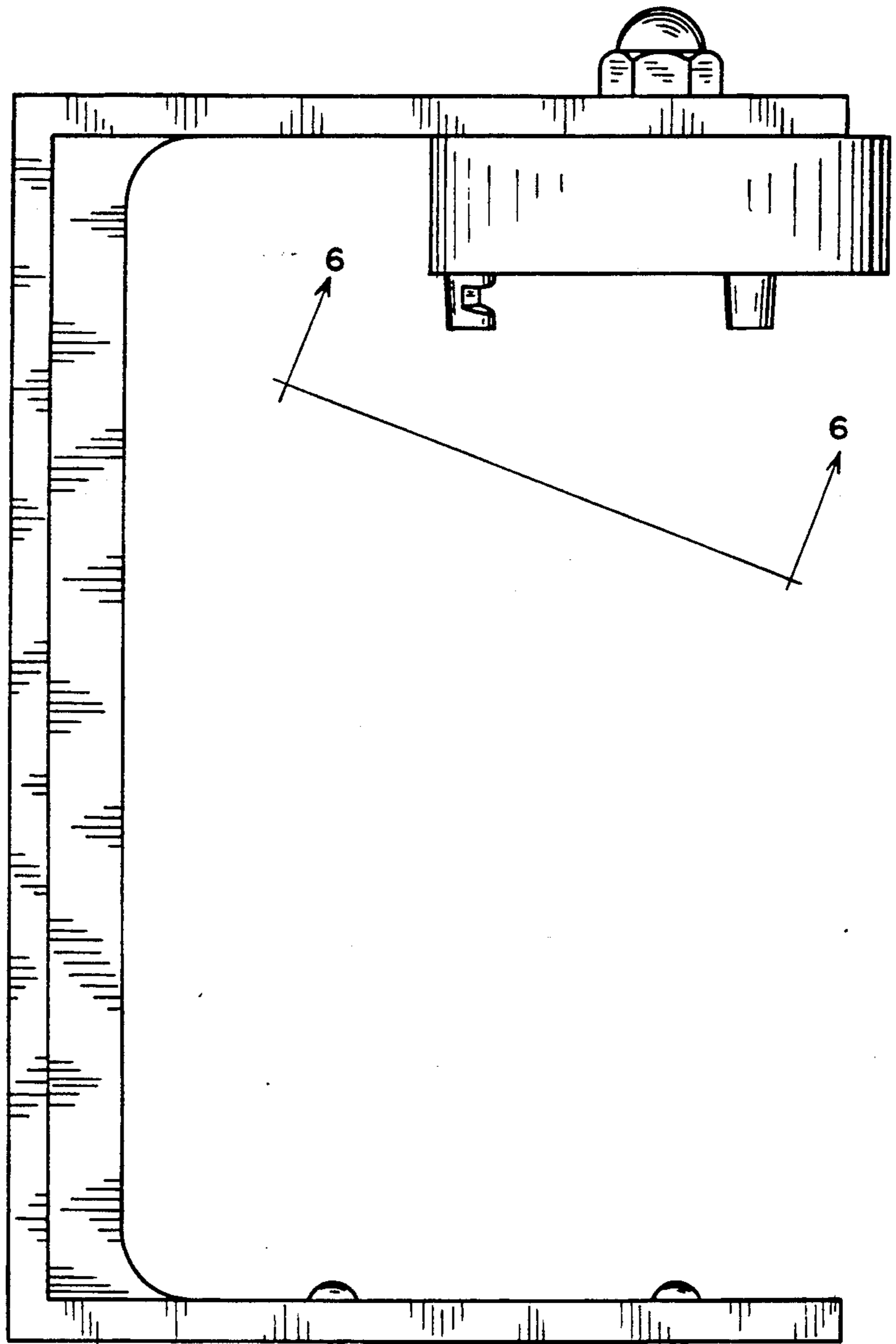


FIG. 6

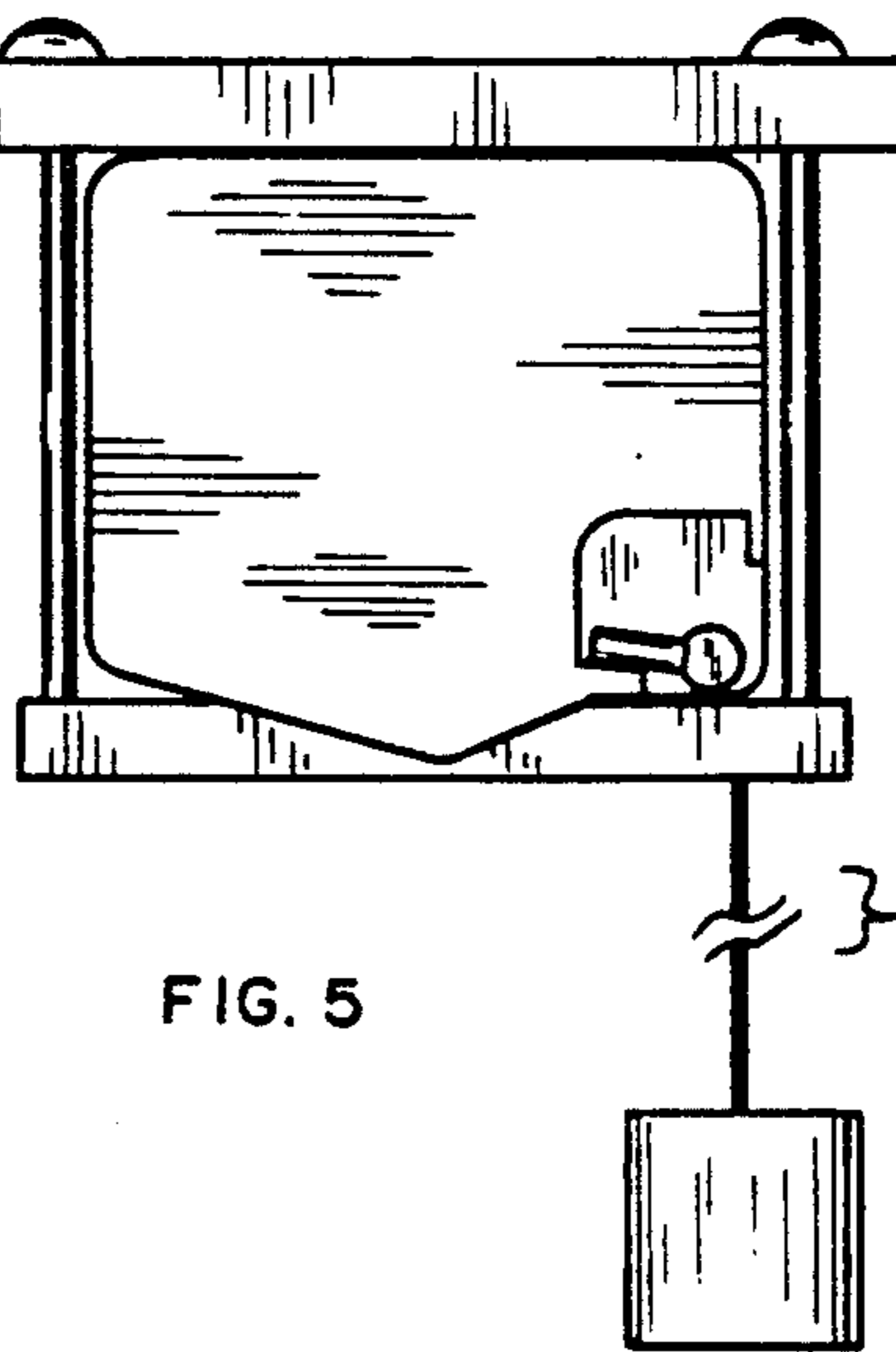


FIG. 5