

[54] **REMOVABLE LID**

[75] **Inventor: Walter A. Matthews, Rothesay, Canada**

[73] **Assignee: Irving Oil Limited, New Brunswick, Canada**

[\*\*] **Term: 14 Years**

[21] **Appl. No.: 498,382**

[22] **Filed: Mar. 26, 1990**

[30] **Foreign Application Priority Data**

Sep. 27, 1989 [CA] Canada ..... 27-09-89-3

[52] **U.S. Cl. .... D9/447; D9/435; D9/449; D34/39**

[58] **Field of Search ..... D9/434, 435, 446, 447, D9/449; D34/39; 215/200, 211, 214, 235, 236, 237, 240, 250, 260, 263, 273; 220/254, 288, 334, 367, 90.2-90.6, 94 R; 222/566, 567, 570, 575**

[56] **References Cited**

**U.S. PATENT DOCUMENTS**

D. 162,903	4/1951	Trautvetta .....	D34/39
D. 181,131	10/1957	Crosio .....	D34/39
D. 229,892	1/1974	Dubois et al. ....	D34/39
D. 239,505	4/1976	Ward .....	D34/39
D. 249,466	9/1978	Parrish, Sr. ....	D34/39

D. 295,108	4/1988	Pryztulla .....	D34/39
D. 314,514	2/1991	Ten Eyck et al. ....	D9/447
1,746,332	2/1930	Barroll .....	222/540
2,032,931	3/1936	Gibbs .....	215/260
2,130,678	9/1938	Cisco .....	206/508
2,545,178	3/1951	Vaughn .....	206/508
2,597,593	5/1952	Neuner .....	22/94 R
2,624,486	1/1953	Lee .	
2,823,826	2/1958	Moore .	
3,927,790	12/1975	Chase et al. .	
3,972,450	8/1976	Walters .	
4,201,306	5/1980	Dubois et al. .	
4,412,629	11/1983	Dart et al. ....	220/254
4,753,362	6/1988	Galer .	
4,779,754	10/1988	Ten Eyck et al. .	
4,836,404	6/1989	Coy .....	220/90.4
4,949,884	8/1990	Dahl .....	222/570

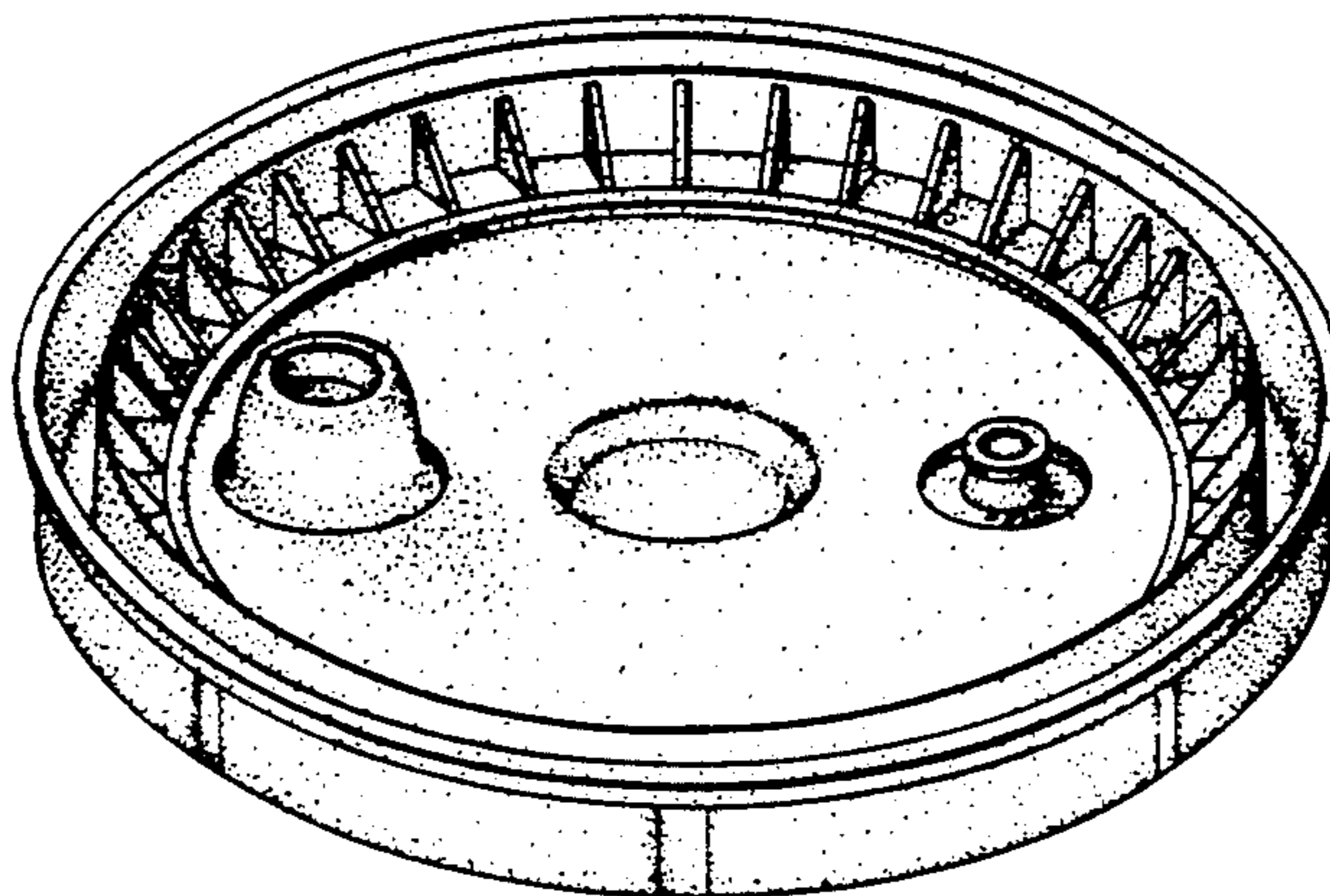
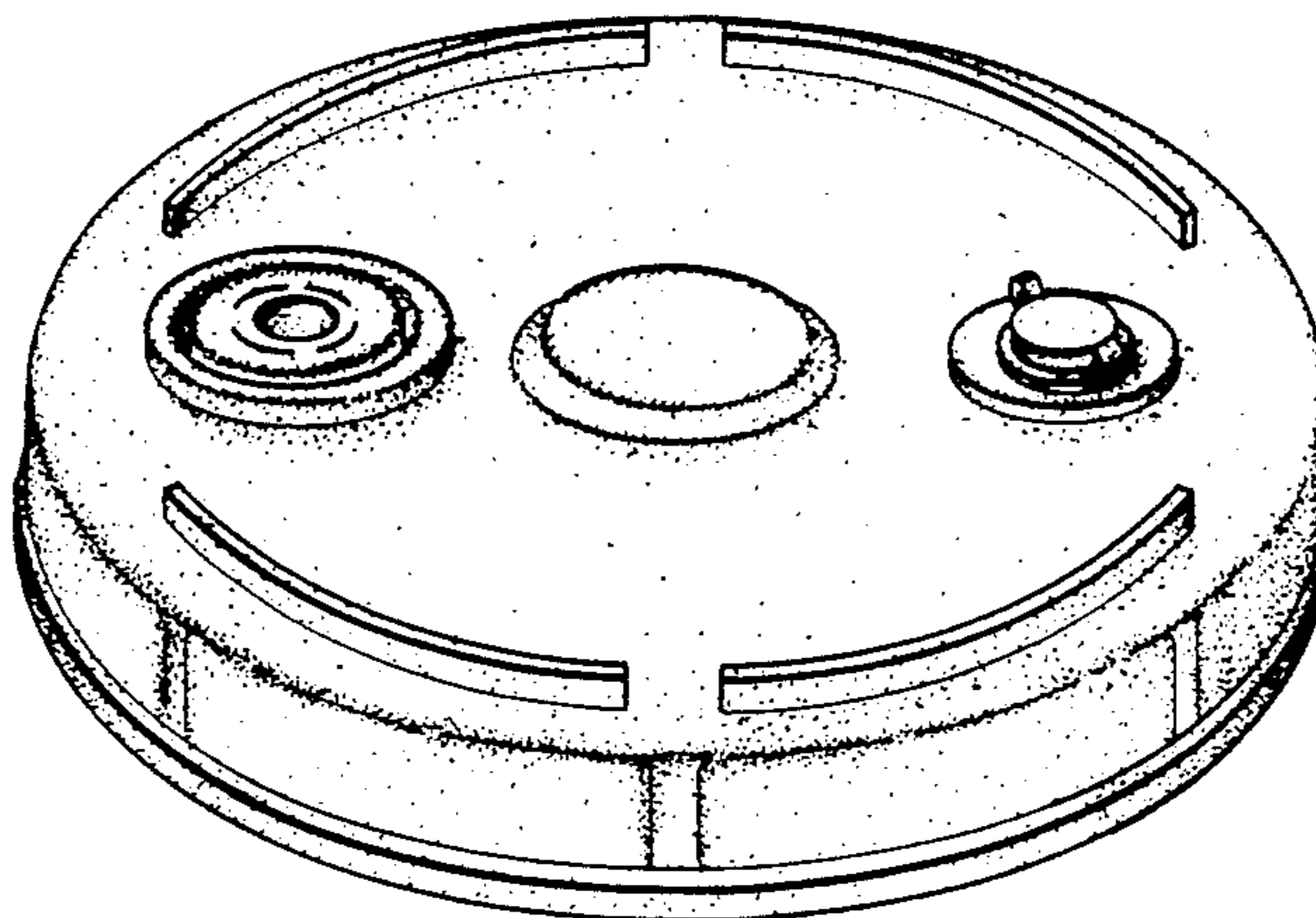
*Primary Examiner*—B. J. Bullock  
*Assistant Examiner*—Dominic Simone  
*Attorney, Agent, or Firm*—Mason, Fenwick & Lawrence

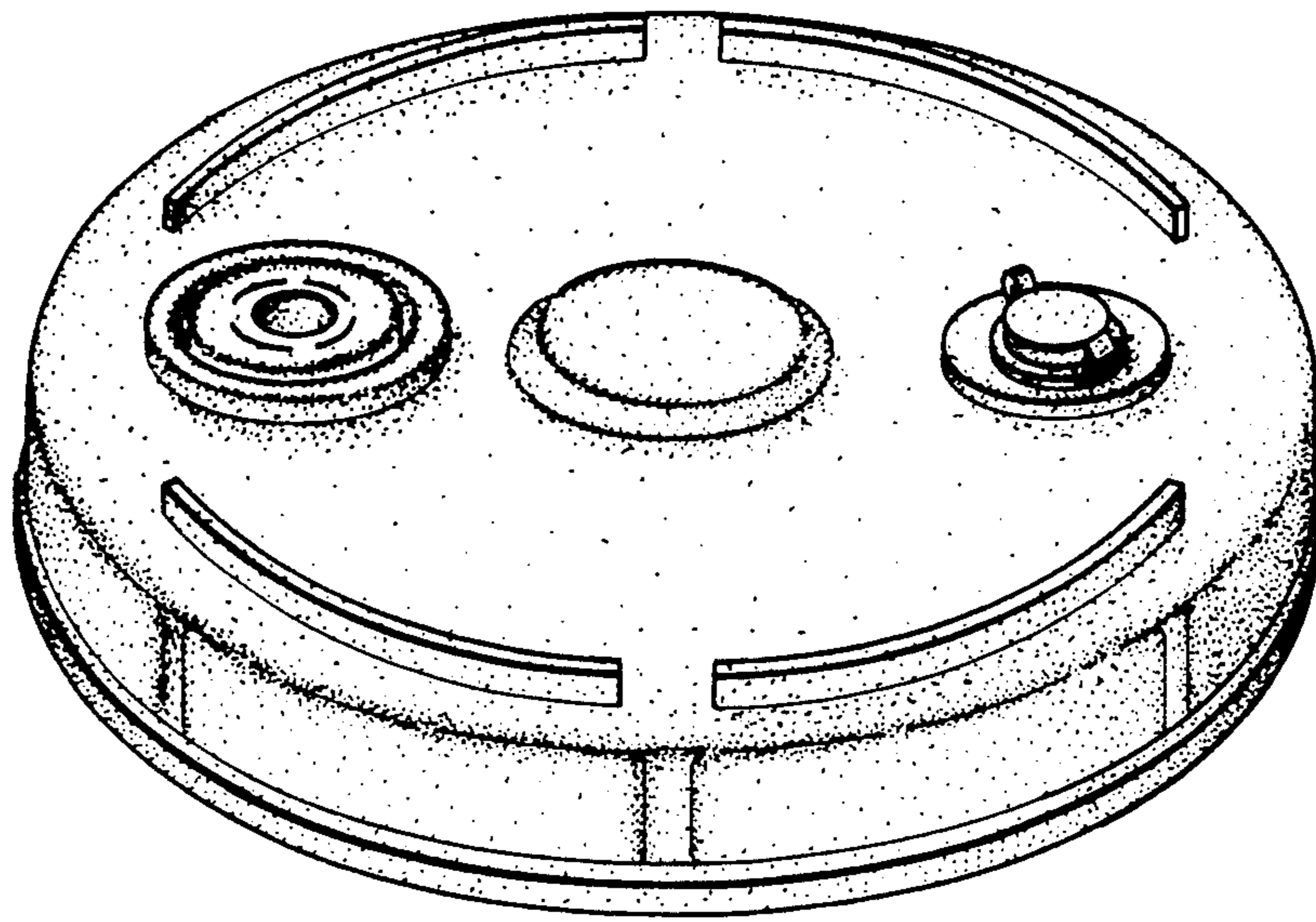
[57] **CLAIM**

The ornamental design for a removable lid, as shown and described.

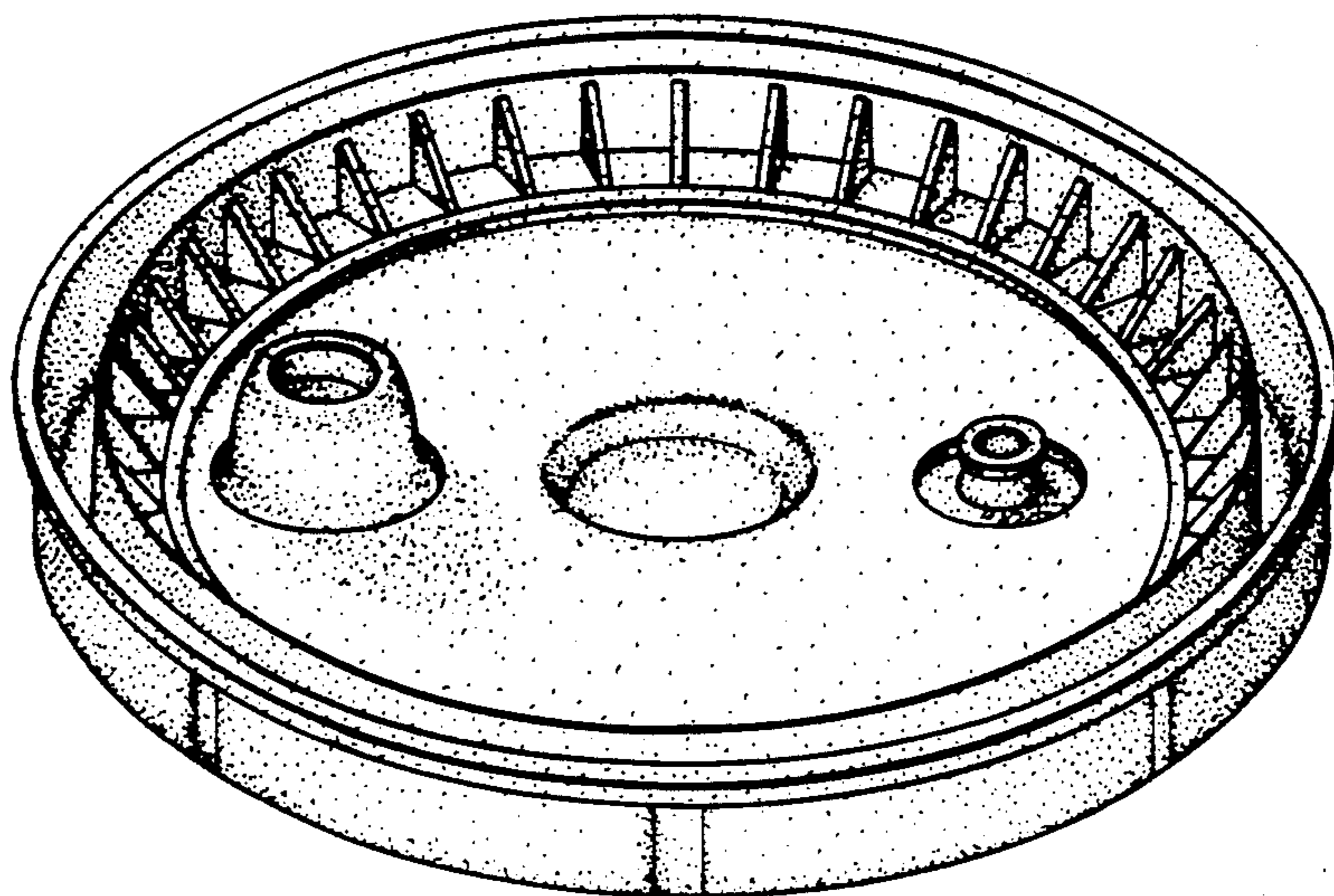
**DESCRIPTION**

FIG. 1 is a top front perspective view of a removable lid showing my new design;  
 FIG. 2 is an inverted rear perspective view thereof.





*FIG. 1*



*FIG. 2*