

[54] BEVERAGE CAN CLOSURE

[76] Inventor: **Danny W. Garner**, 6219 Old Lebanon Rd., Campbellsville, Ky. 42718

[**] Term: **14 Years**

[21] Appl. No.: **210,288**

[22] Filed: **Jun. 22, 1988**

[52] U.S. Cl. **D9/447; D9/435; D9/454**

[58] Field of Search **D9/435, 447, 454, 450; 206/523, 584; 215/235-243, 295, 303, 304, 306, 355, 356, 363; 220/90.2-90.6, 96, 335, 338, 339, 379, 375, 306, 254, 85 SP, 288, 291; 222/542, 566, 567, 569, 570, 571, 534, 556**

D. 293,083 12/1987 Gloor D9/447
 2,948,453 8/1960 Drown 220/90.4
 3,104,039 9/1963 Dike D9/450
 4,934,547 6/1990 Mayes et al. 215/306

Primary Examiner—B. J. Bullock
Assistant Examiner—Dominic Simone
Attorney, Agent, or Firm—Leon Gilden

[57] CLAIM

The ornamental design for a beverage can closure, as shown and described.

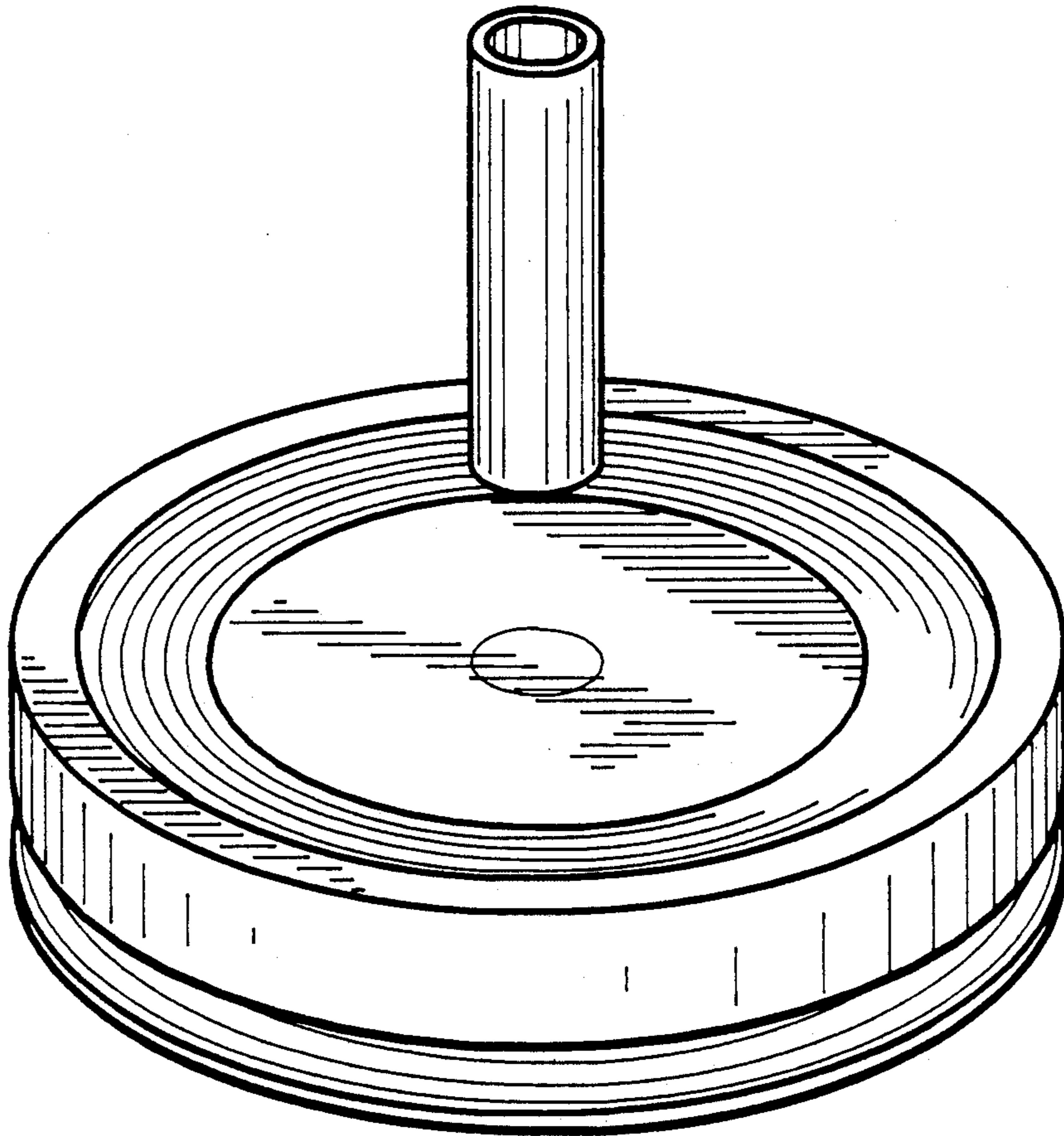
DESCRIPTION

FIG. 1 is a front elevational view of a beverage can closure showing my new design;
 FIG. 2 is a rear elevational view thereof;
 FIG. 3 is a left side elevational view thereof;
 FIG. 4 is a right side elevational view thereof;
 FIG. 5 is a top plan view thereof;
 FIG. 6 is a bottom plan view thereof; and,
 FIG. 7 is a perspective view thereof.

[56] **References Cited**

U.S. PATENT DOCUMENTS

D. 217,133 4/1970 O'Neill D9/447
 D. 281,581 12/1985 MacEwen D9/435



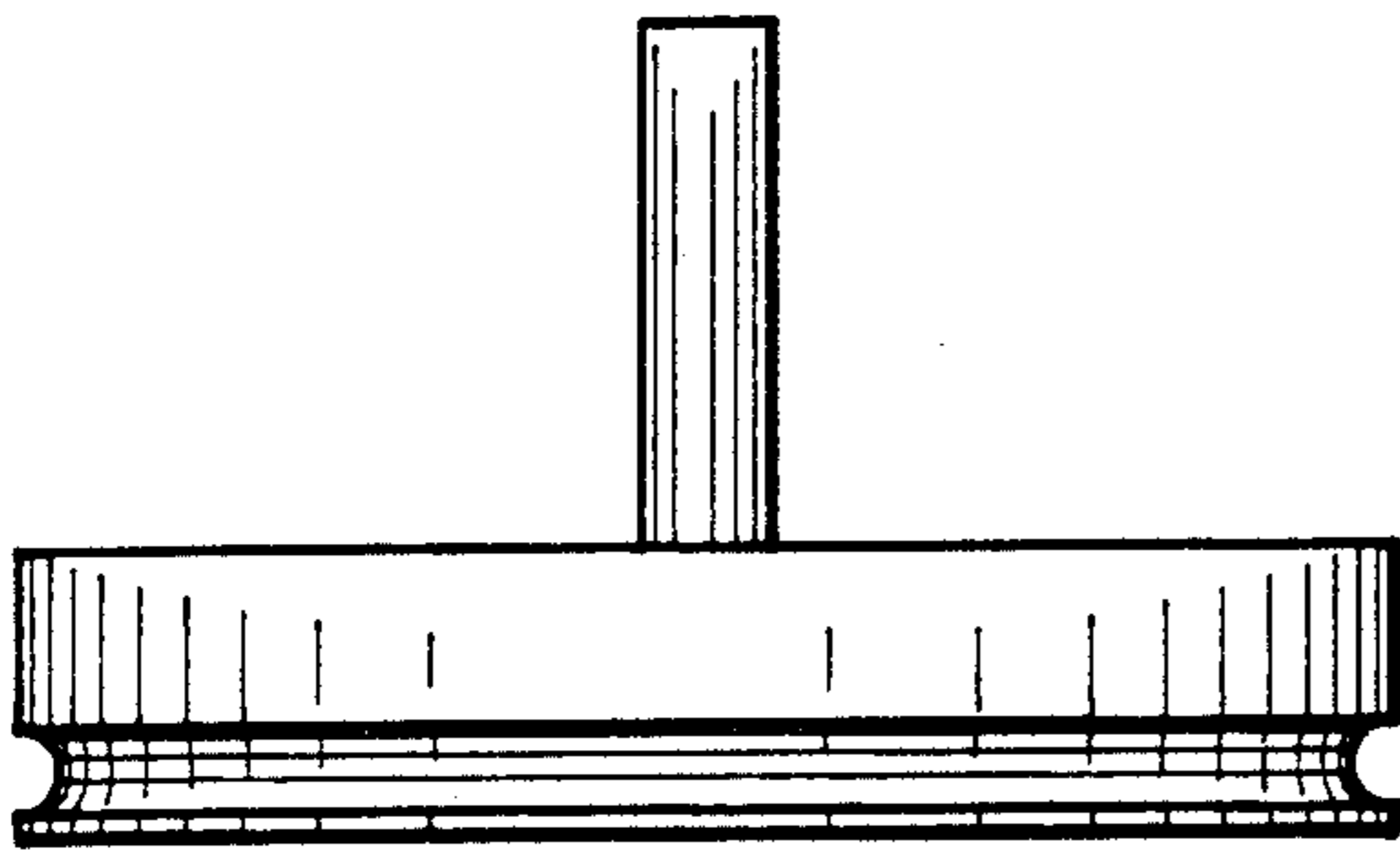


Fig. 1

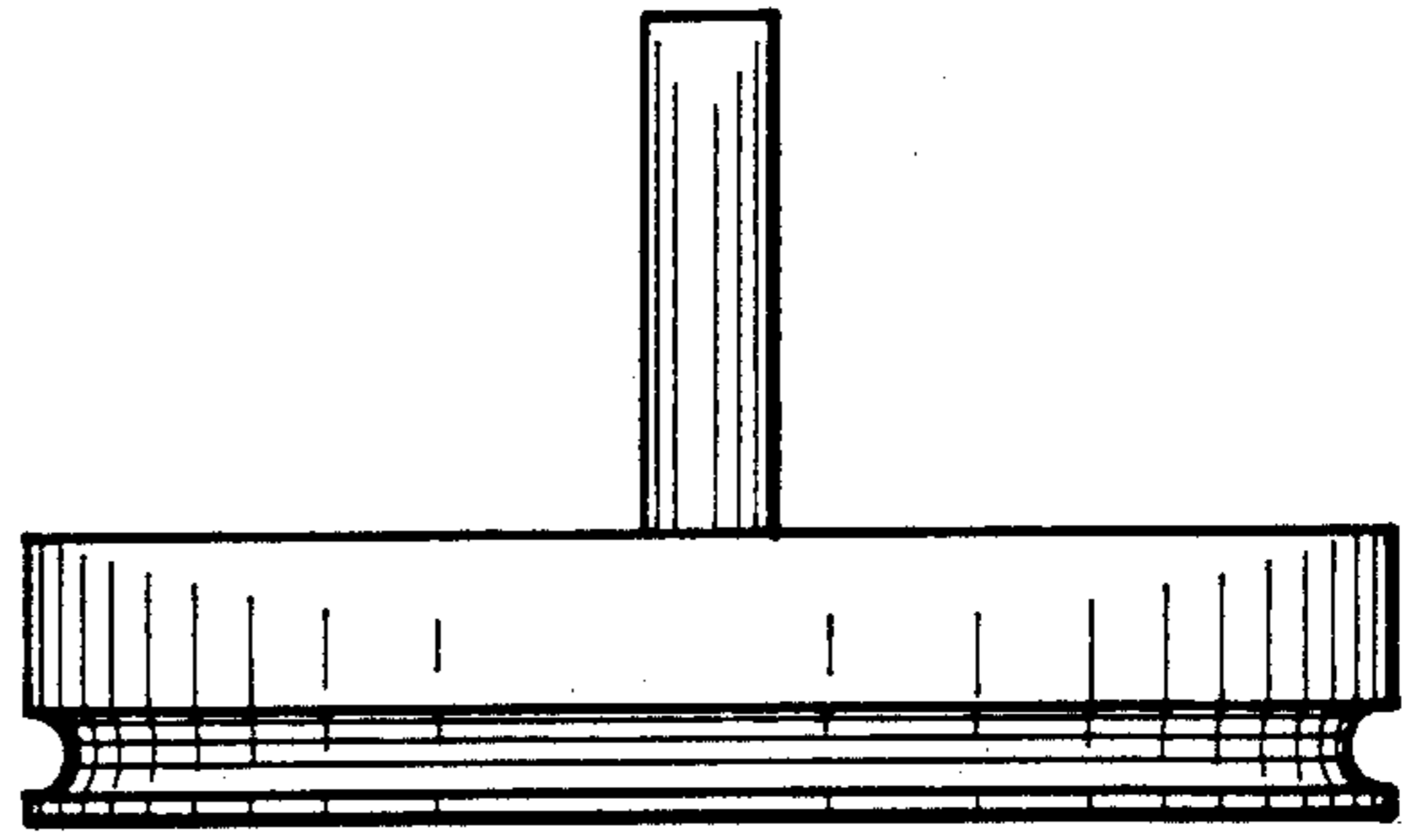


Fig. 2

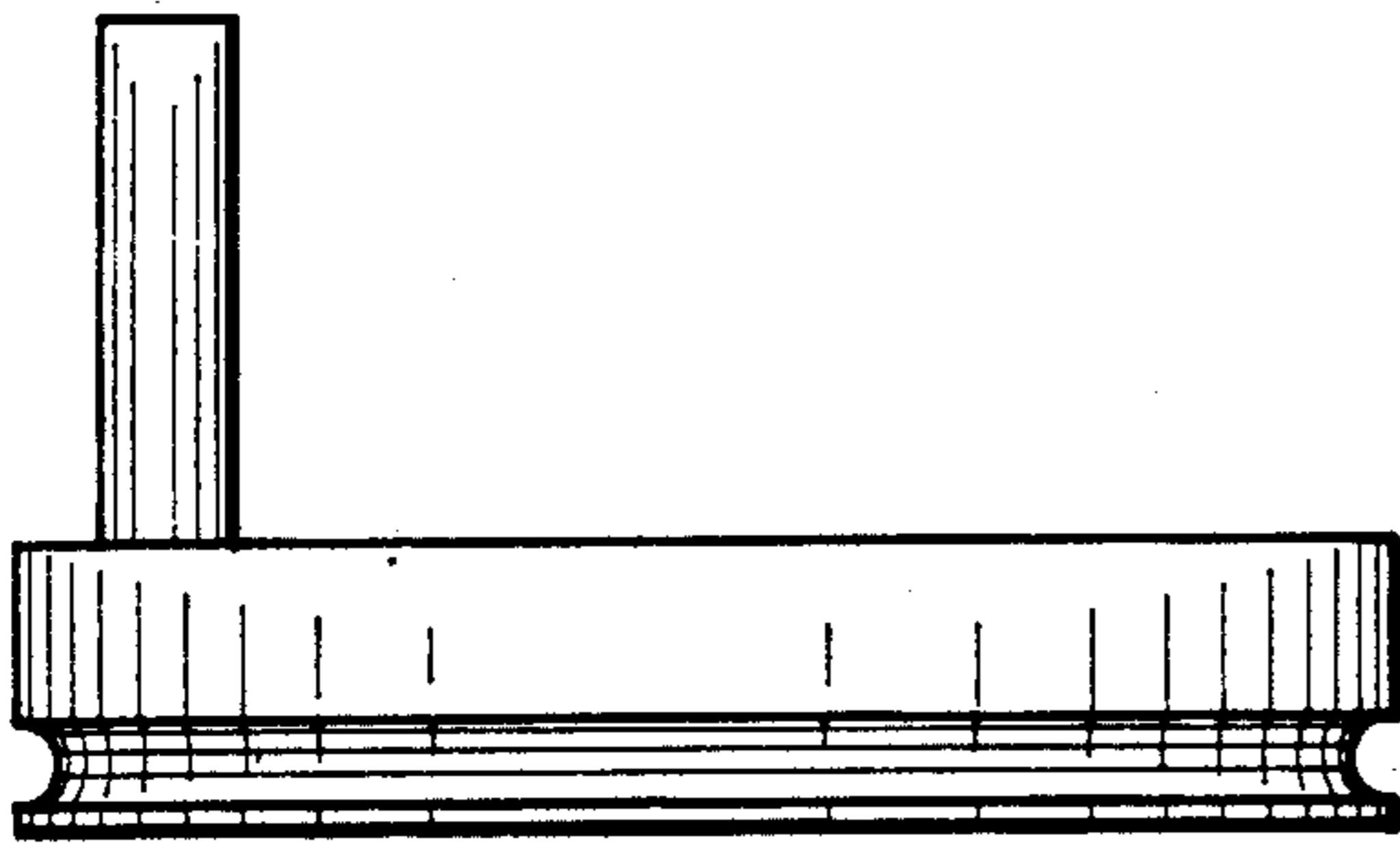


Fig. 3

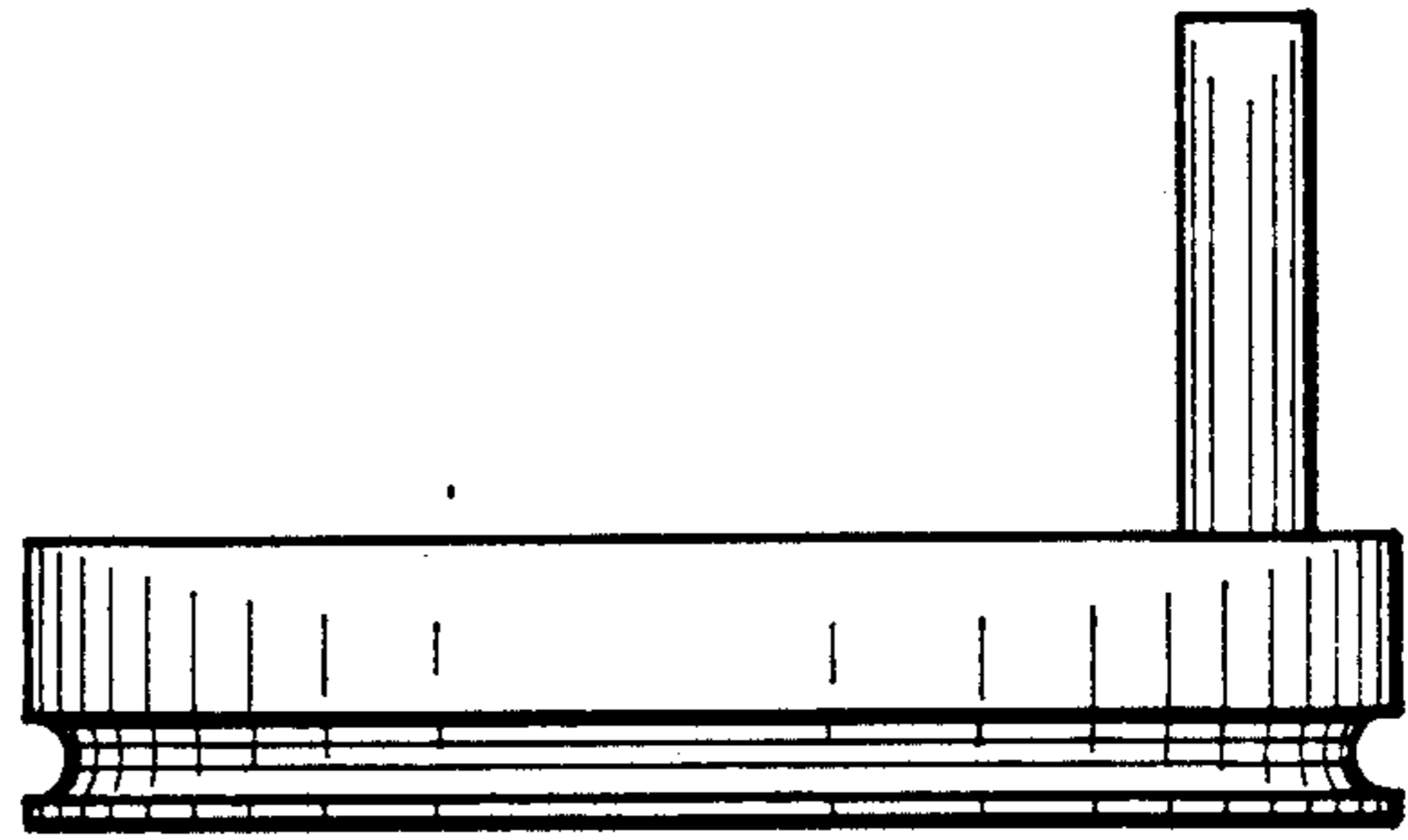


Fig. 4

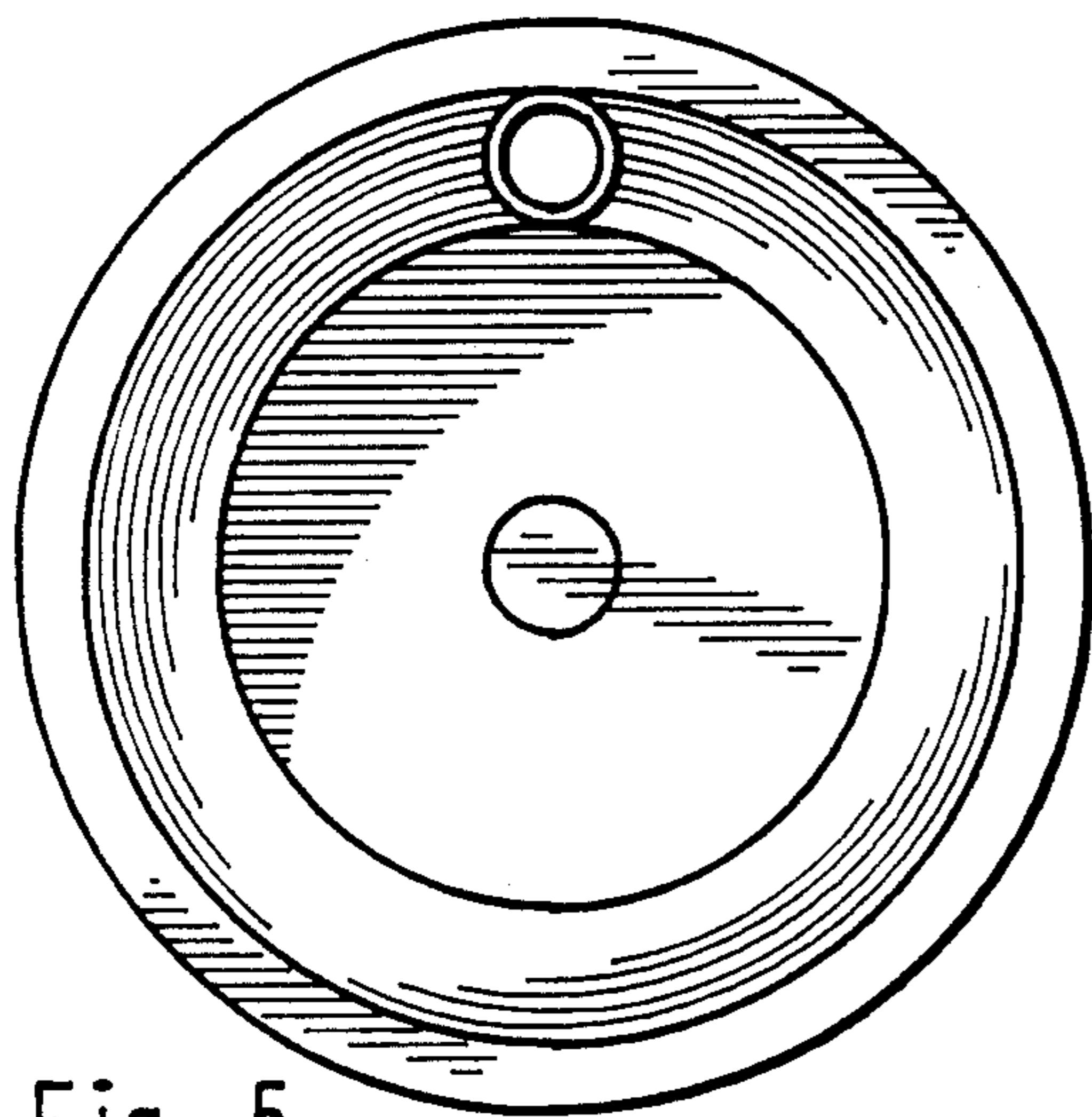


Fig. 5

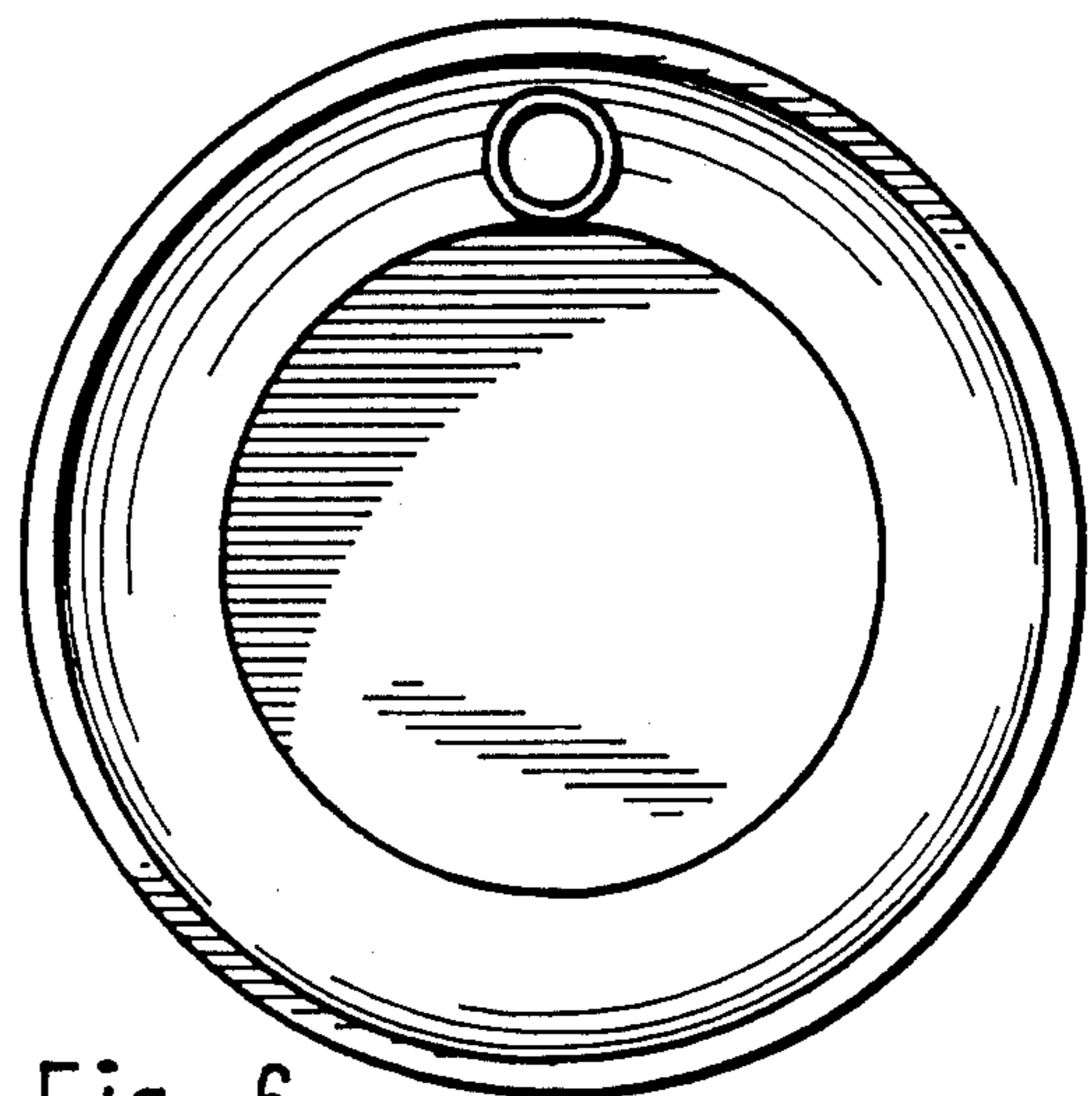


Fig. 6

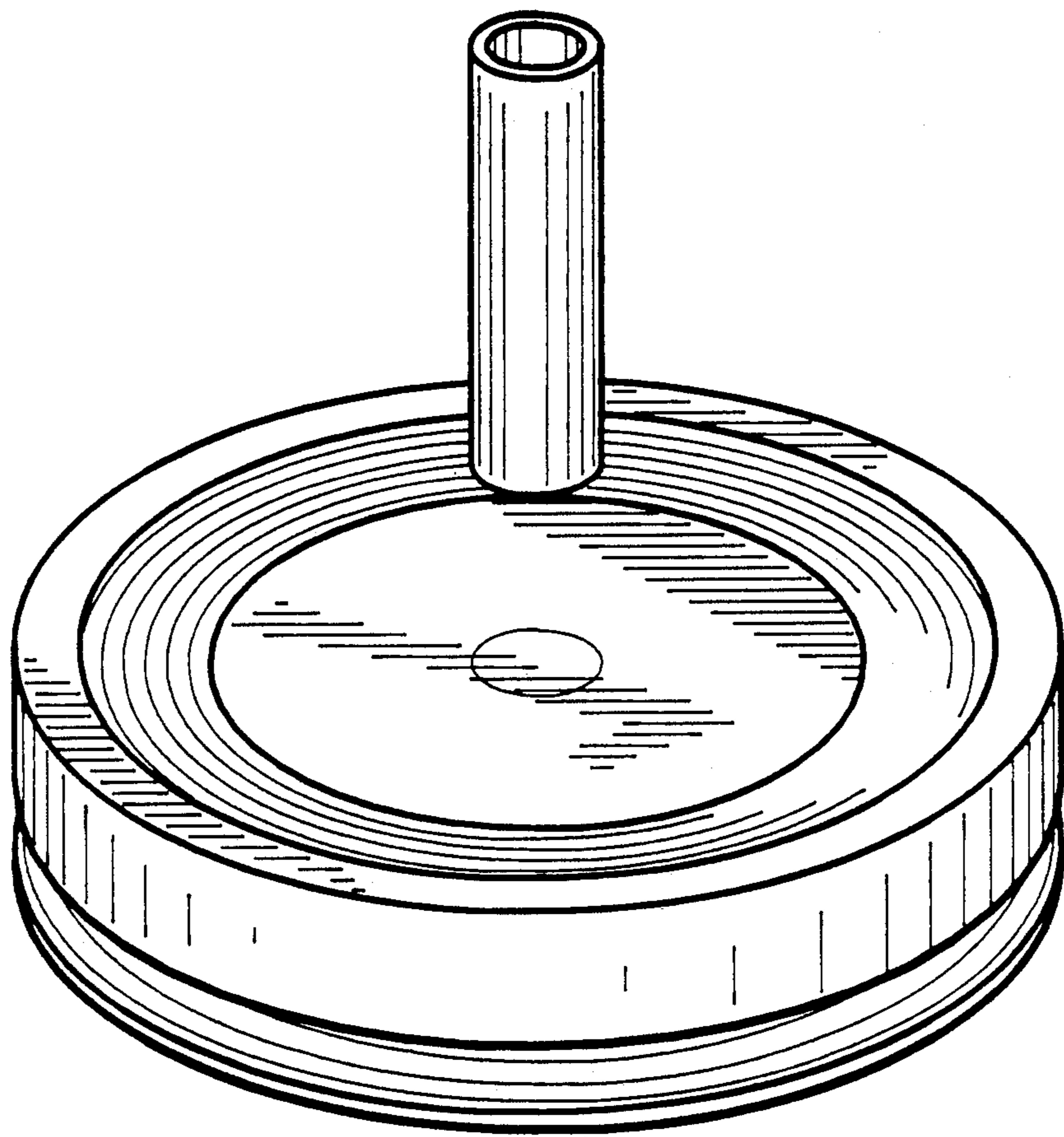


Fig. 7