

[54] HANDLE FOR A DOOR

[75] Inventors: Eric Britz, Wernersville; Wayne E. Baker, Mohnton, both of Pa.

[73] Assignee: Baldwin Hardware Corporation, Reading, Pa.

[**] Term: 14 Years

[21] Appl. No.: 436,387

[22] Filed: Nov. 13, 1989

[52] U.S. Cl. D8/308

[58] Field of Search D8/300, 301, 307, 308, D8/302; 16/110 R, 111 R; 74/519, 523

[56] References Cited

U.S. PATENT DOCUMENTS

D. 300,202 3/1989 Halsted et al. D8/302

OTHER PUBLICATIONS

Paul Associates Cat.; p. 48; Lever 670 (left center).
Paul Associates Cat.; p. 51; Lever 1095 (left center).
Paul Associates Cat.; p. 51; Lever 537 (right center).
Assa 1986 Cat.; ©1986; p. 12; Lever 646 (2nd from top, 2nd col.).

Primary Examiner—B. J. Bullock

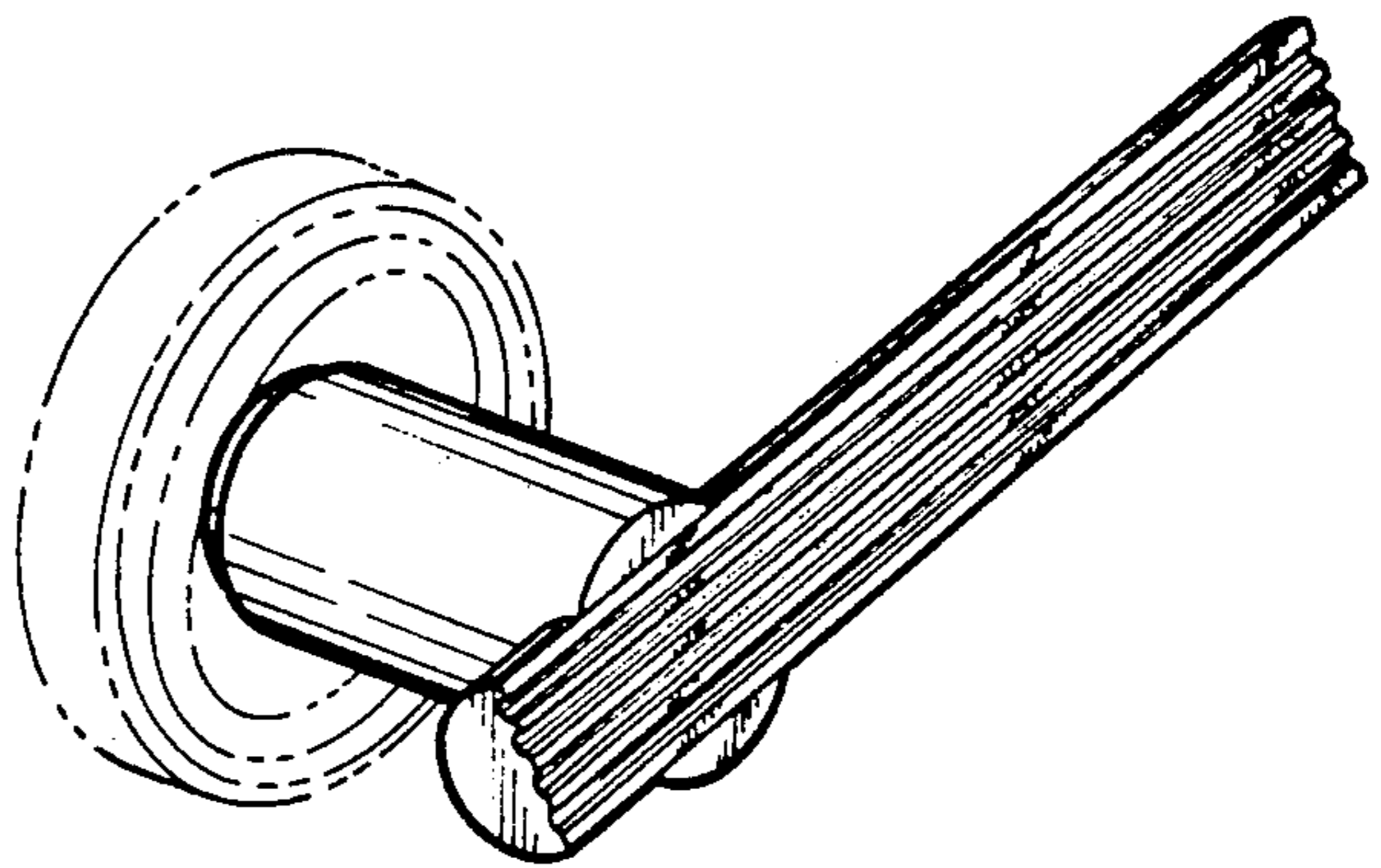
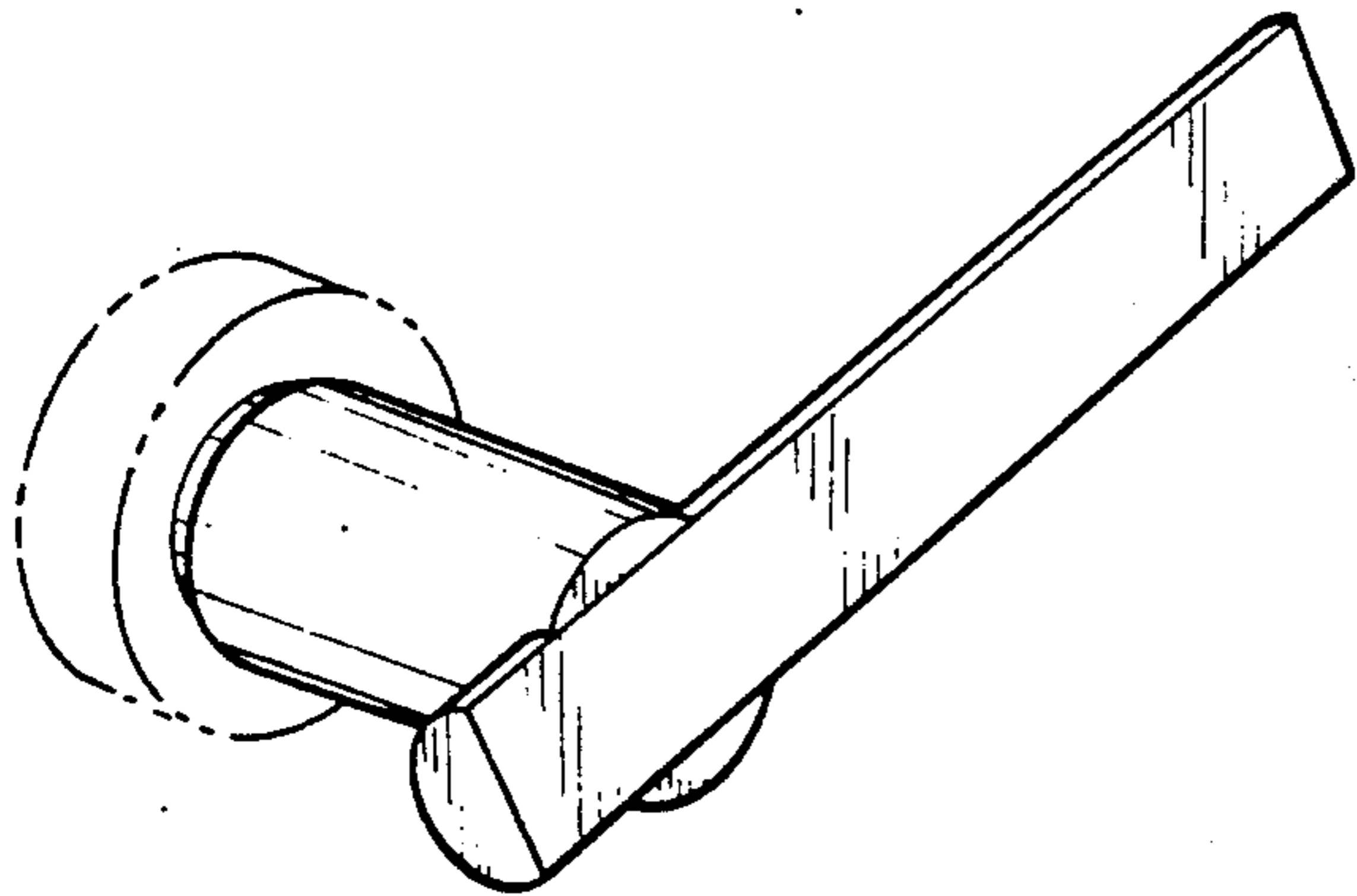
Attorney, Agent, or Firm—Myron B. Kapustij; Edgar A. Zarins; Malcolm L. Sutherland

[57] CLAIM

The ornamental design for a handle for a door, as shown and described.

DESCRIPTION

FIG. 1 is a perspective view of a handle for a door showing our new design;
FIG. 2 is a front elevational view thereof;
FIG. 3 is a top plan view thereof;
FIG. 4 is a bottom plan view thereof;
FIG. 5 is a right side elevational view thereof, the left side being a mirror image;
FIG. 6 is a rear elevational view thereof;
FIG. 7 is perspective view of a second embodiment of the design of FIG. 1;
FIG. 8 is a front elevational view of FIG. 7;
FIG. 9 is a top plan view of FIG. 7;
FIG. 10 is a bottom plan view of FIG. 7;
FIG. 11 is a right side elevational view of FIG. 7, the left side being a mirror image;
FIG. 12 is a rear elevational view of FIG. 7.
The broken lines showing a rose plate for a handle in FIGS. 1 and 7 are for purposes of illustration only and form no part of the claimed design.



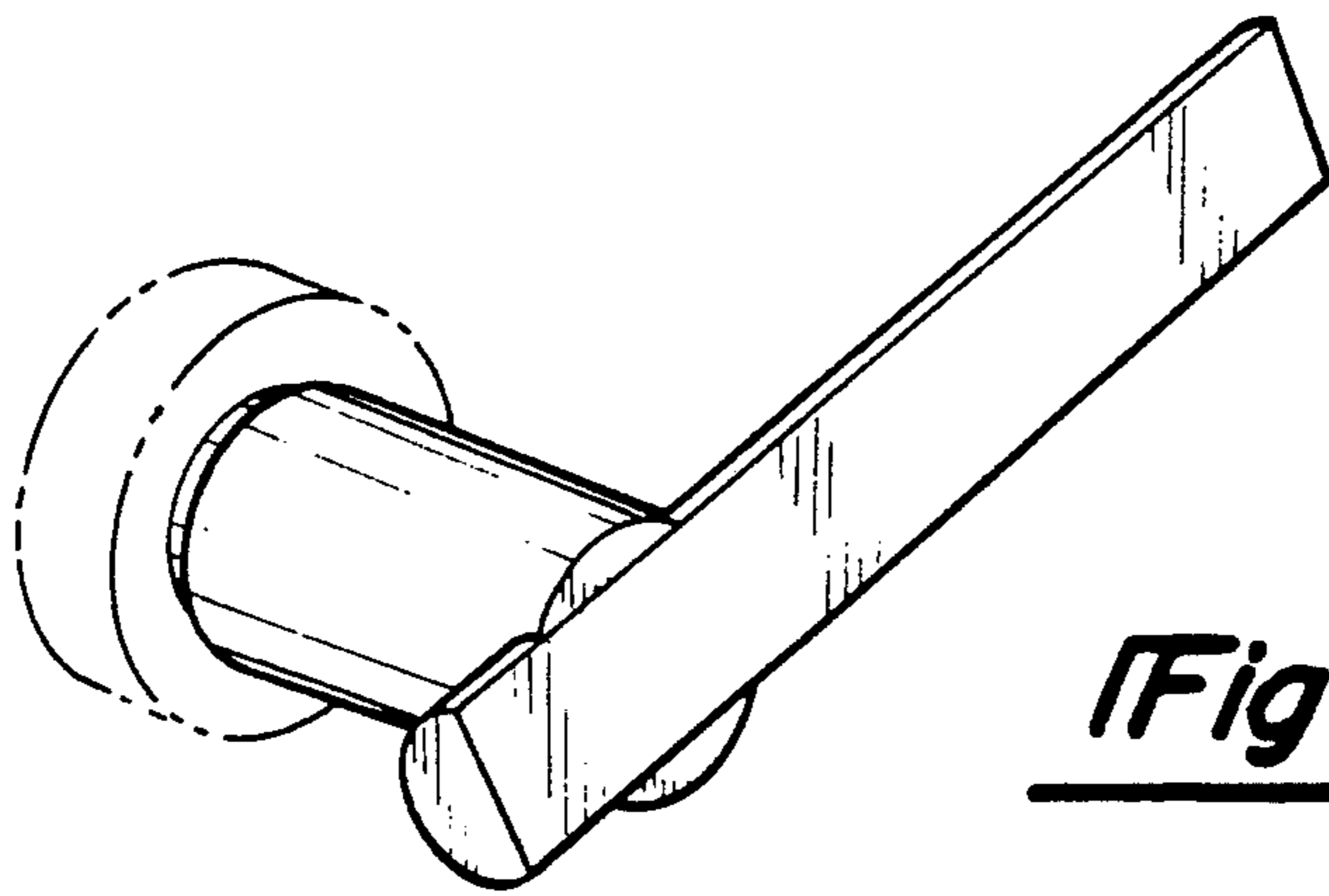


Fig-1

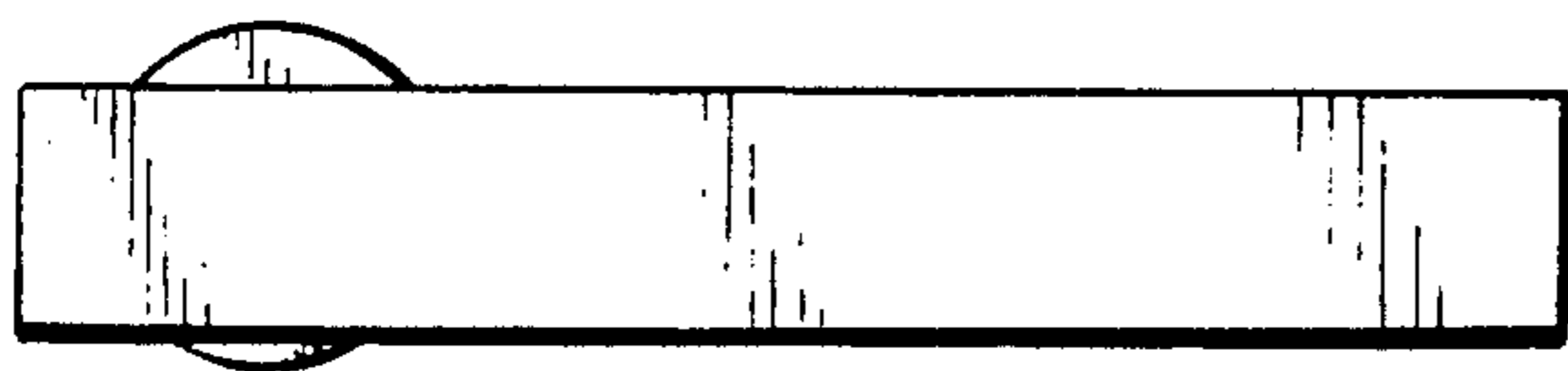


Fig-2

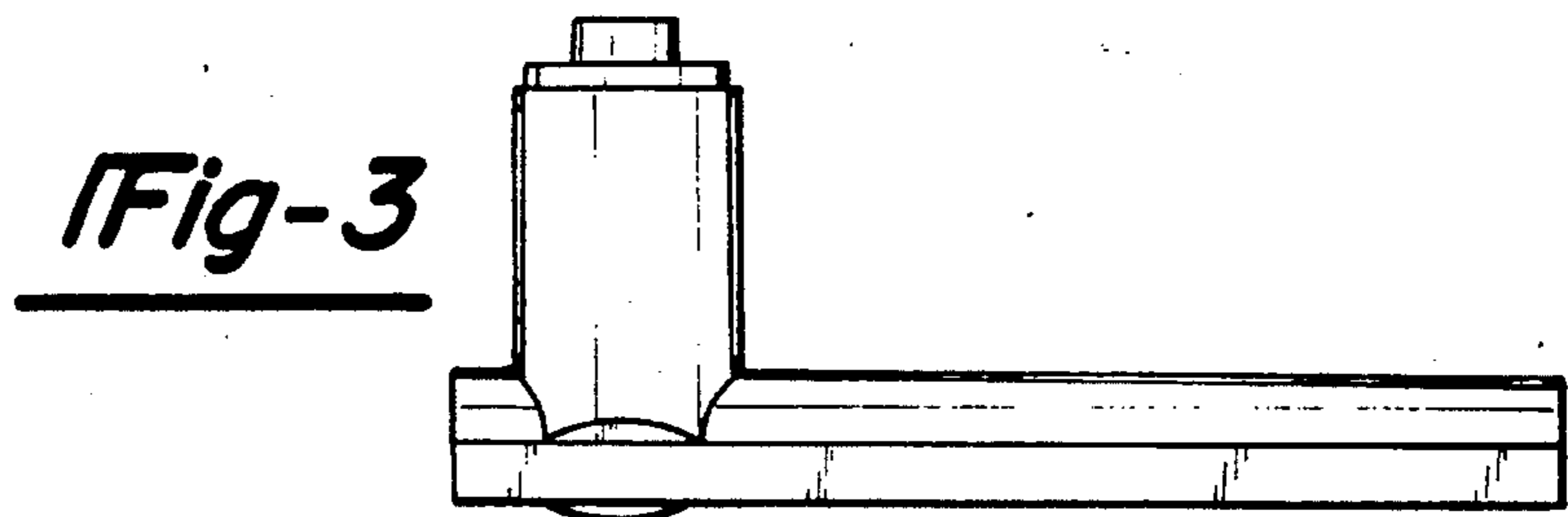


Fig-3

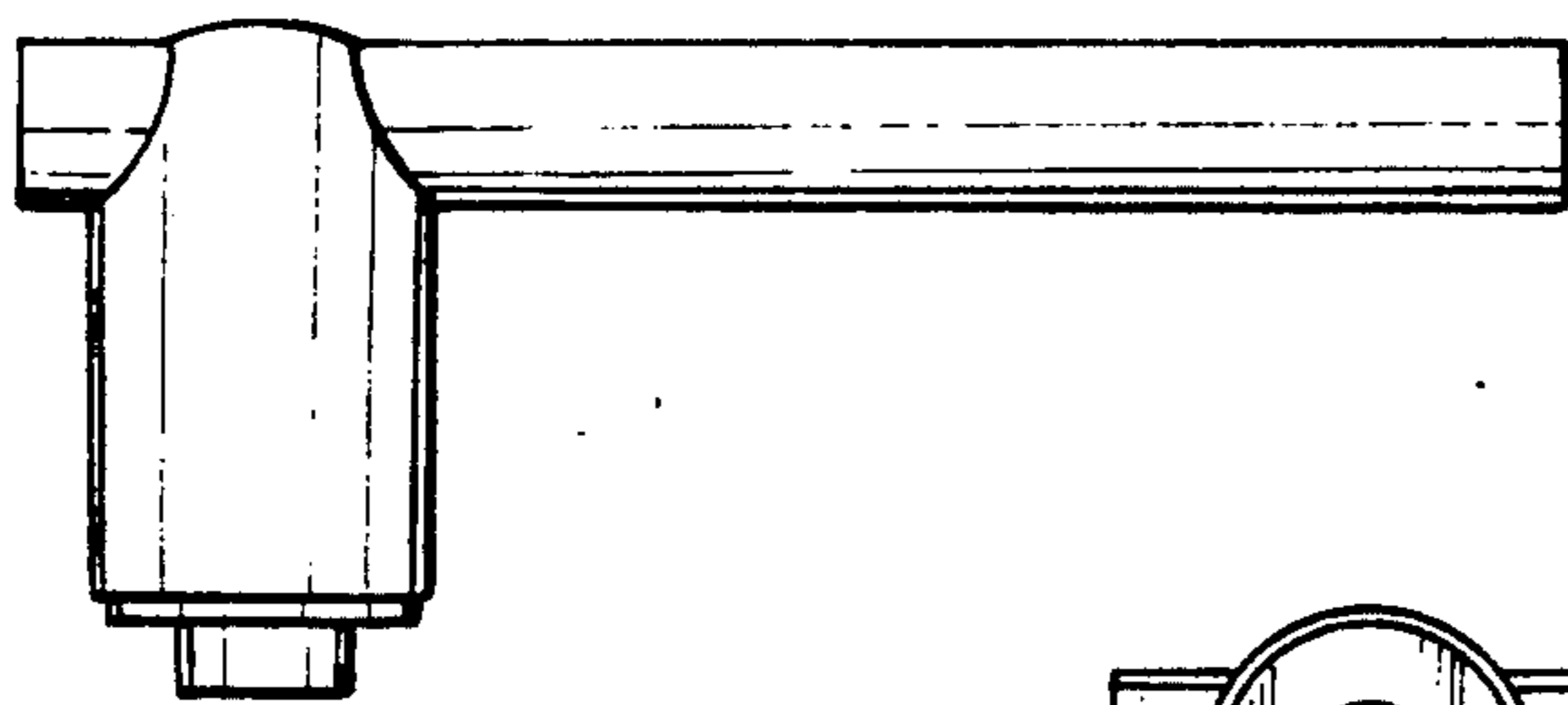


Fig-4

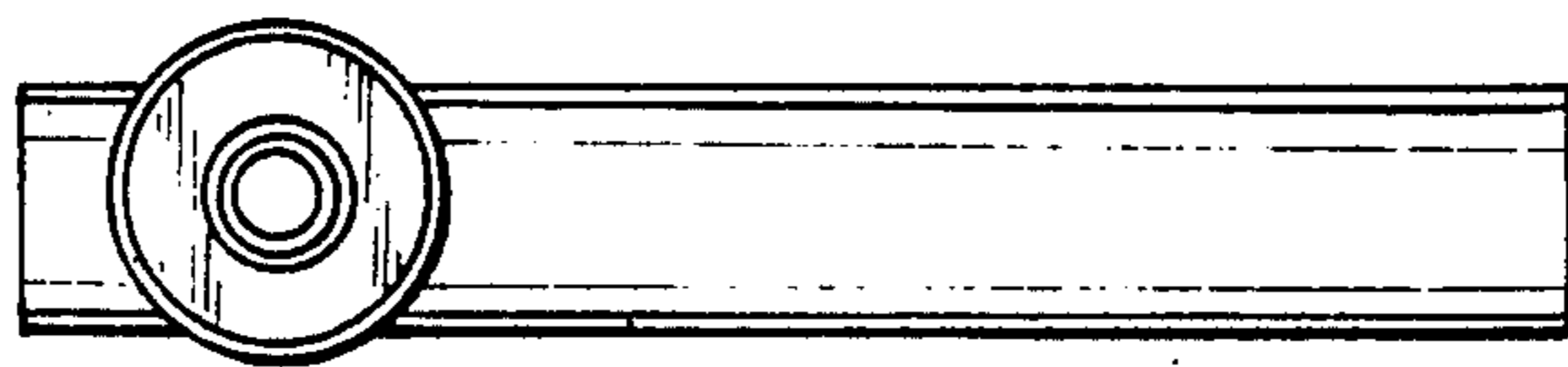


Fig-6

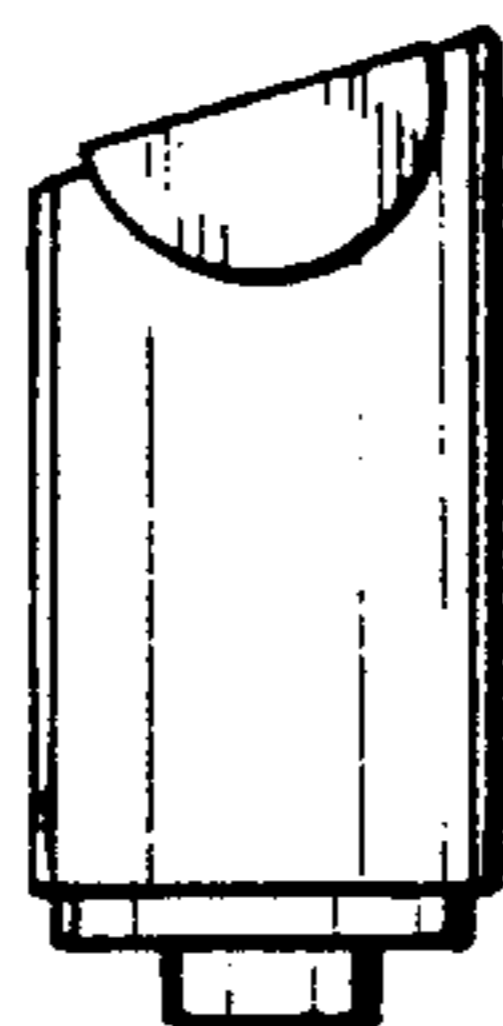


Fig-5

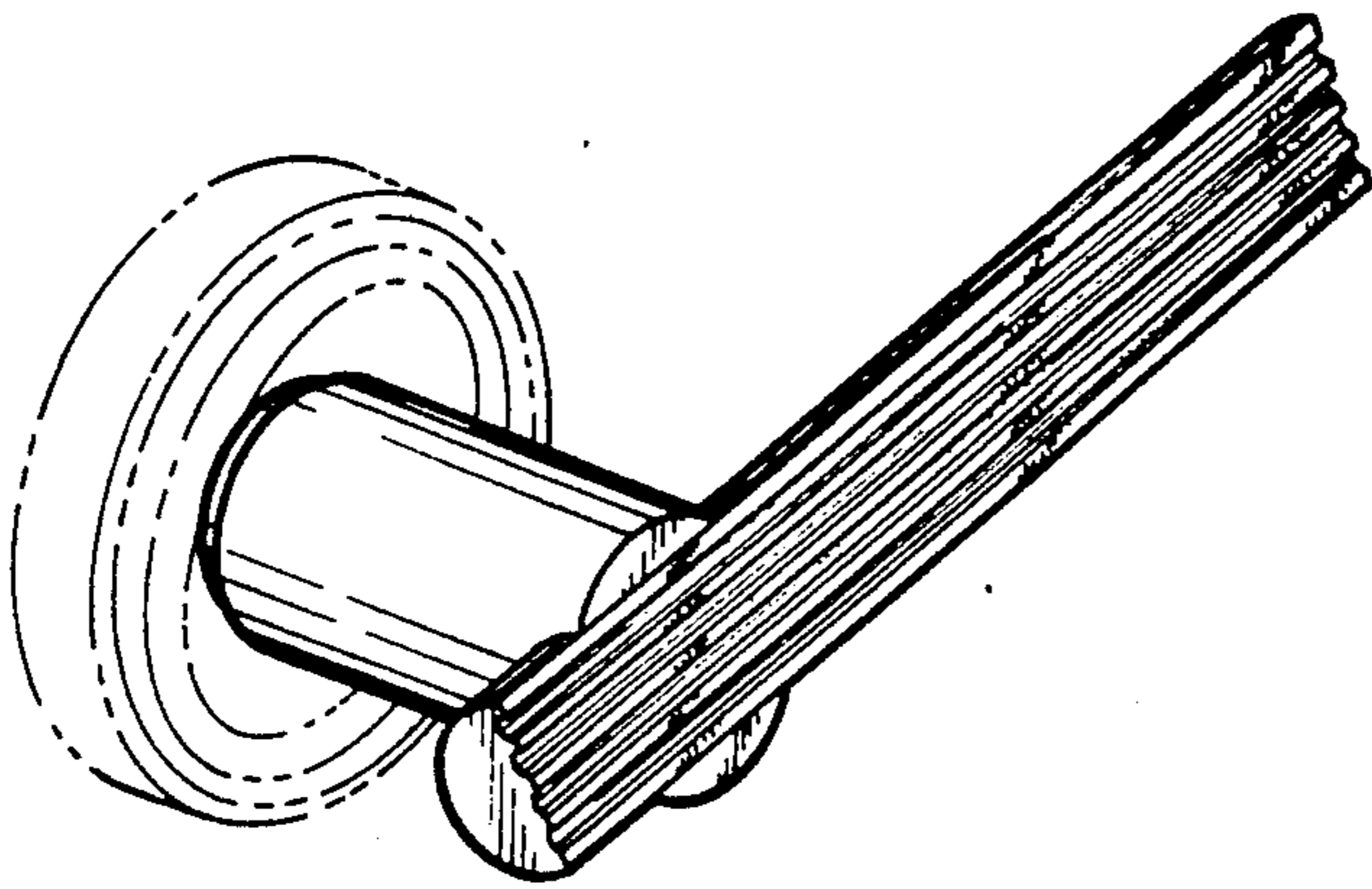


Fig-7

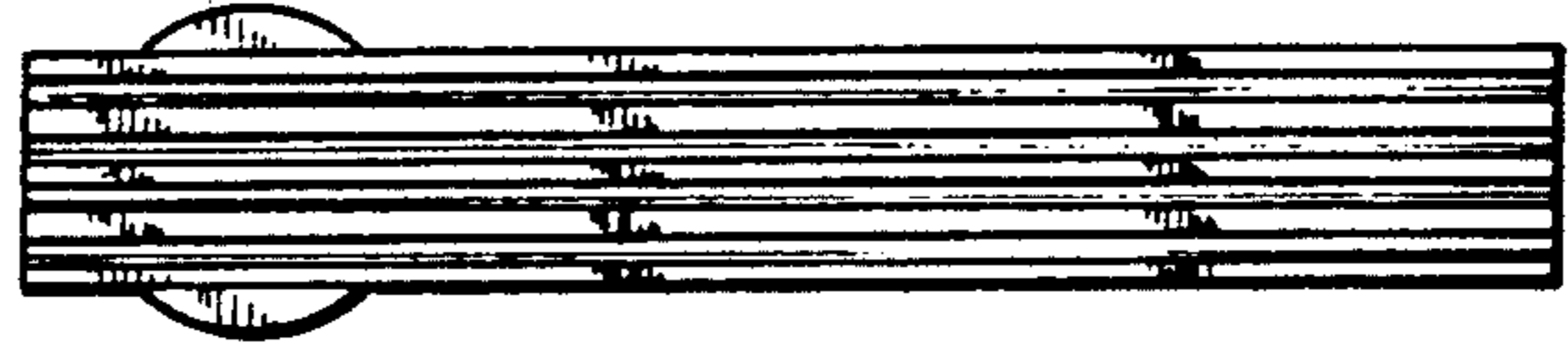


Fig-8

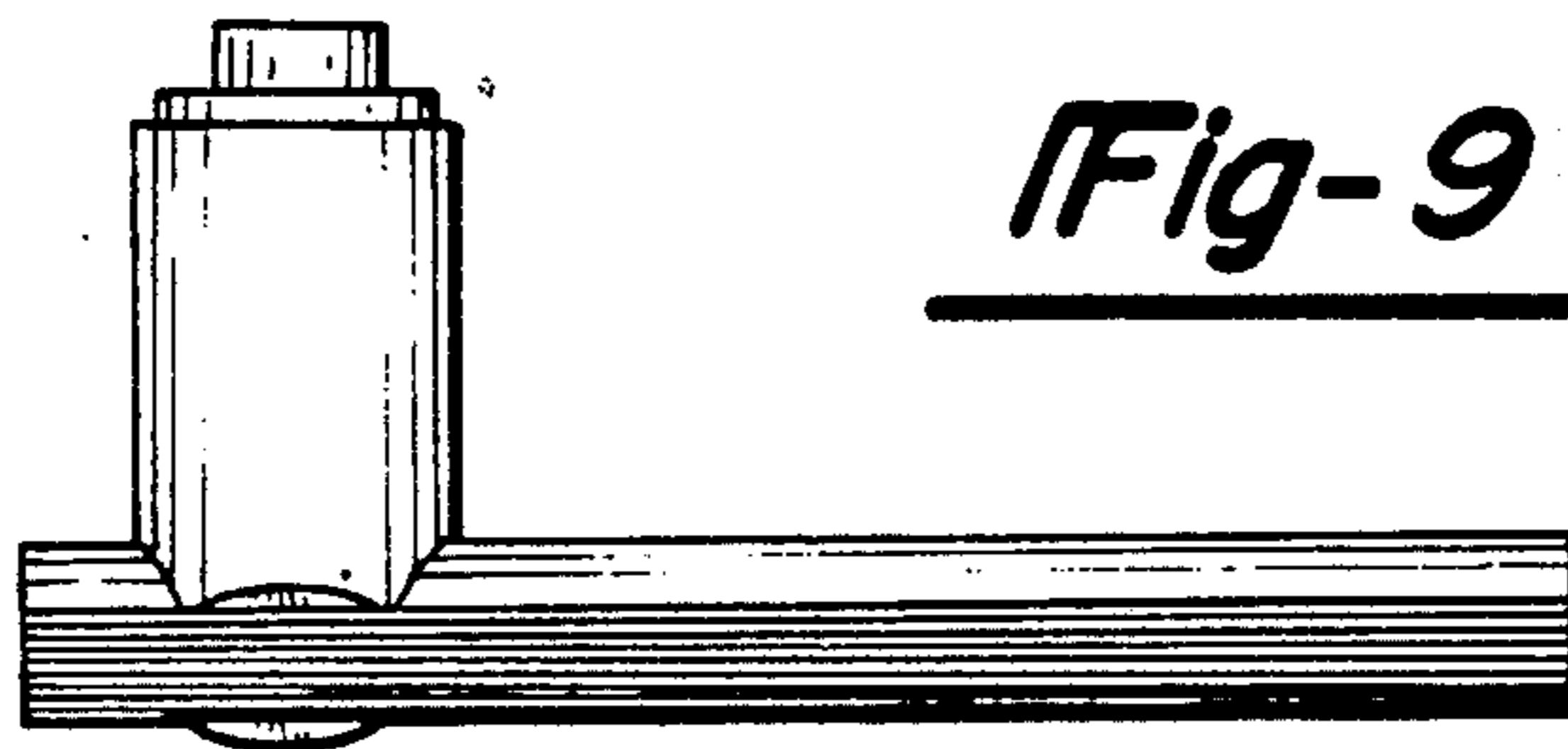


Fig-9

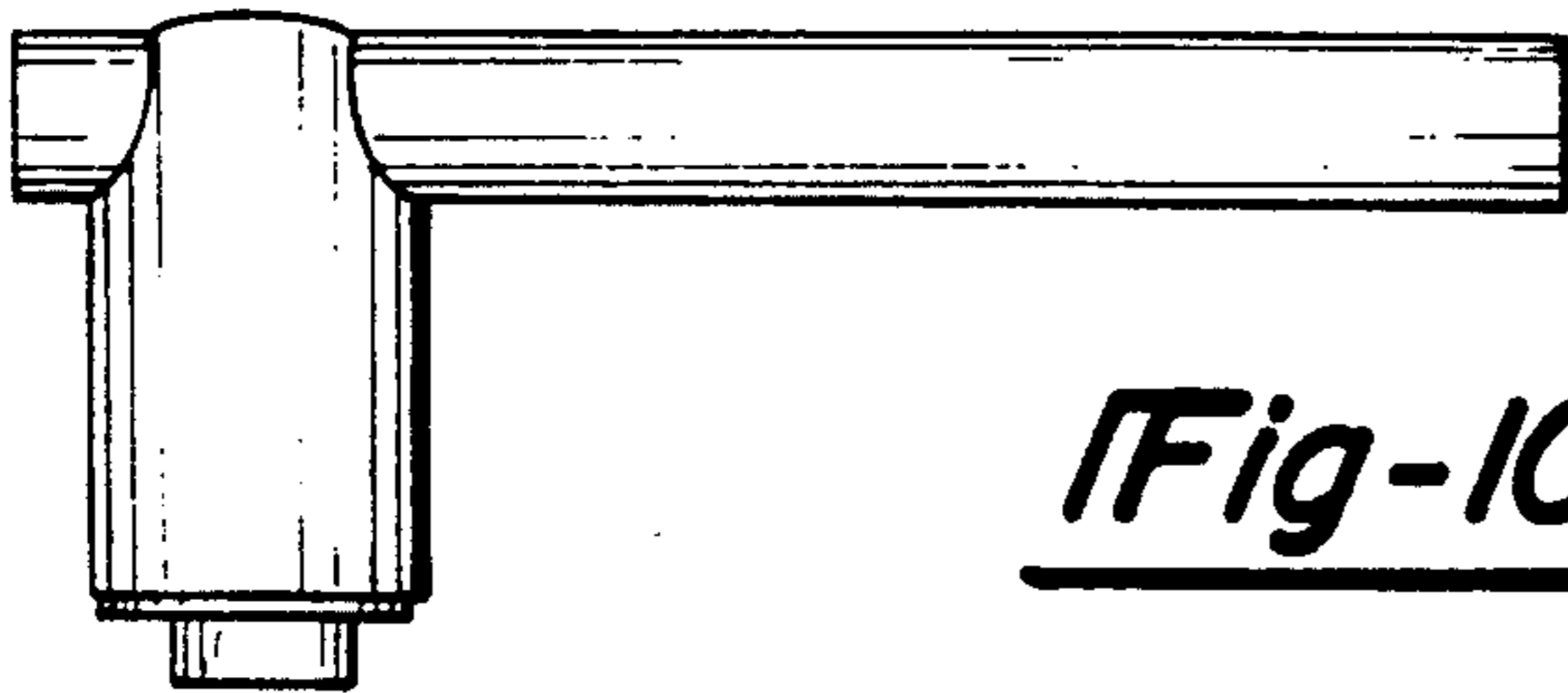


Fig-10

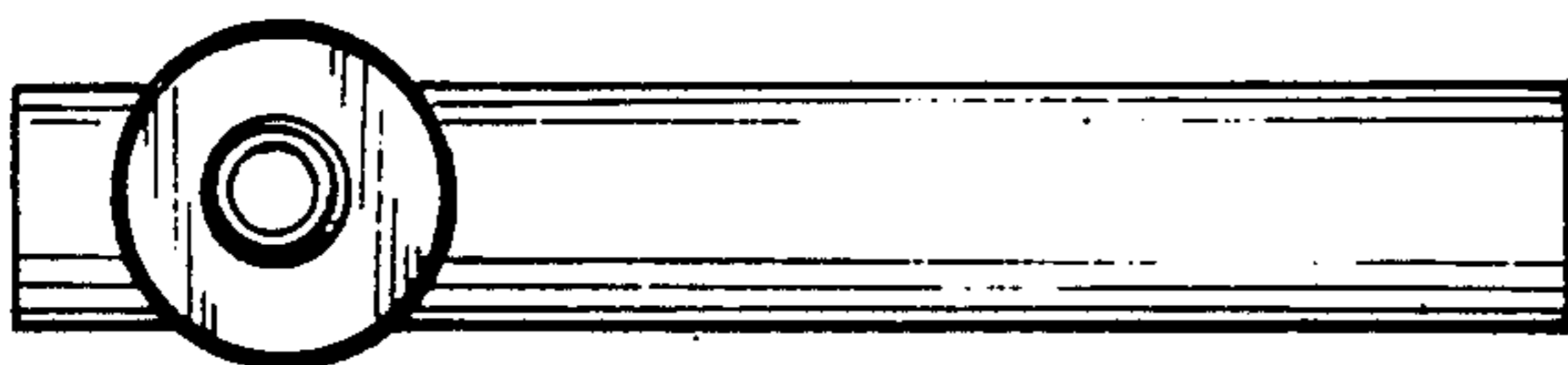


Fig-12

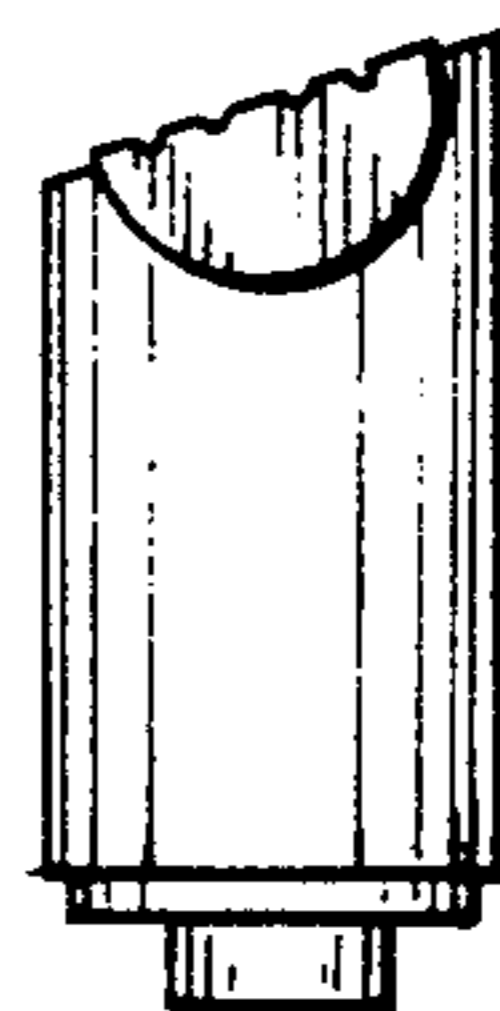


Fig-11