

United States Patent [19]
Cousins

[11] **Patent Number: Des. 319,962**
[45] **Date of Patent: ** Sep. 17, 1991**

[54] **LUGGAGE HANDLE**
[75] **Inventor: Michael A. Cousins, New York, N.Y.**
[73] **Assignee: Tumi Imports, Middlesex, N.J.**
[**] **Term: 14 Years**
[21] **Appl. No.: 236,775**
[22] **Filed: Aug. 26, 1988**
[52] **U.S. Cl. D8/306; D8/319**
[58] **Field of Search D8/306, 317; 16/125, 16/126; 190/39, 115, 116, 117; D3/72, 76, 77**

2,483,307 9/1949 Wheary, Jr. D8/306
4,059,867 11/1977 Adamis 16/125

Primary Examiner—B. J. Bullock
Attorney, Agent, or Firm—Lerner, David, Littenberg, Krumholz & Mentlik

[57] **CLAIM**

The ornamental design for a luggage handle, as shown.

DESCRIPTION

FIG. 1 is a perspective view of a luggage handle, showing my new design;
FIG. 2 is a reduced front elevational view thereof, the rear being identical;
FIG. 3 is a reduced side elevational view thereof, both sides being identical;
FIG. 4 is a reduced top plan view thereof;
FIG. 5 is a reduced bottom plan view thereof.

[56] **References Cited**
U.S. PATENT DOCUMENTS

D. 146,836 5/1947 Stevens D8/306
D. 220,819 5/1971 Laurita D8/306
D. 239,158 3/1976 Bush D8/306

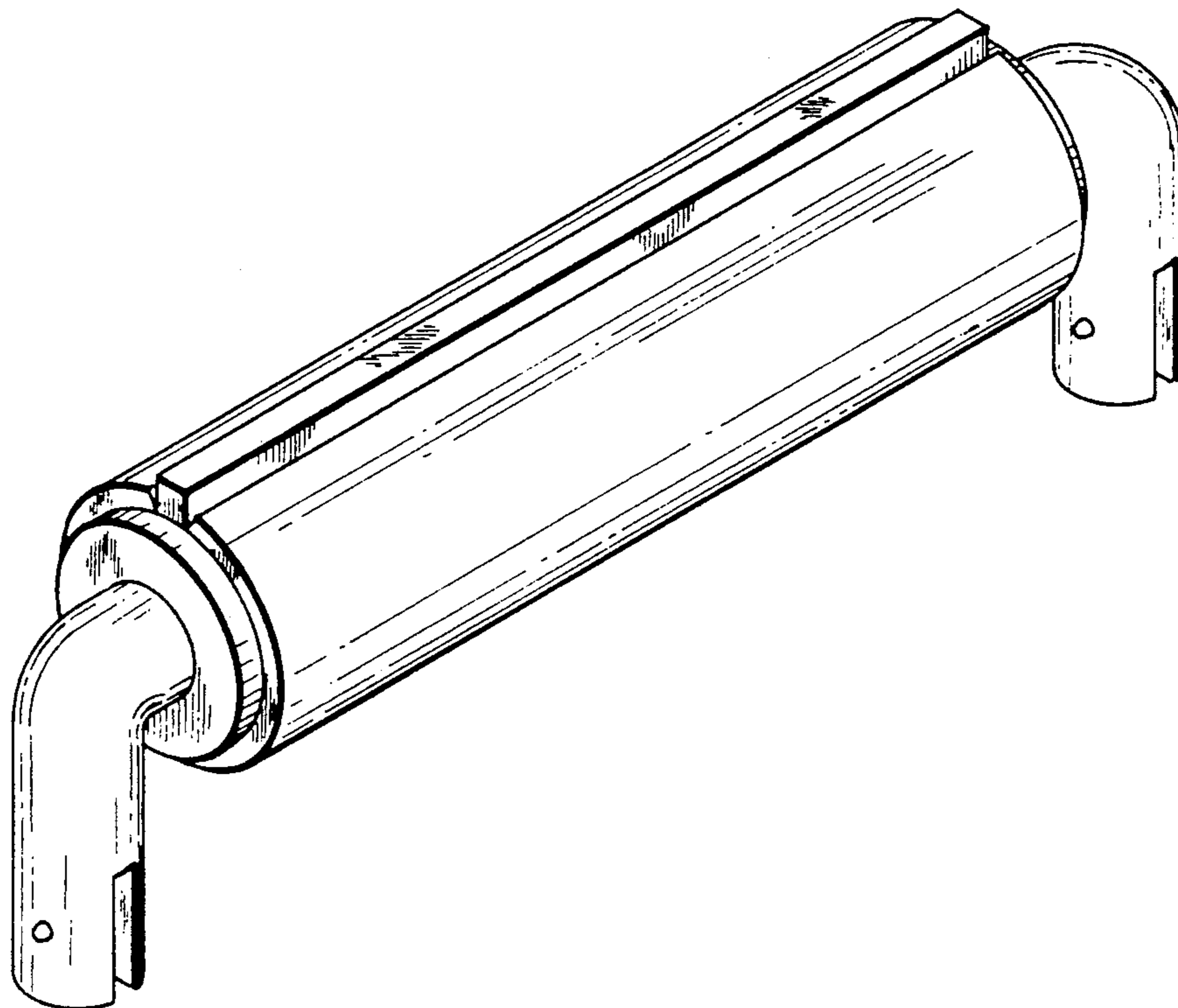


FIG. 1

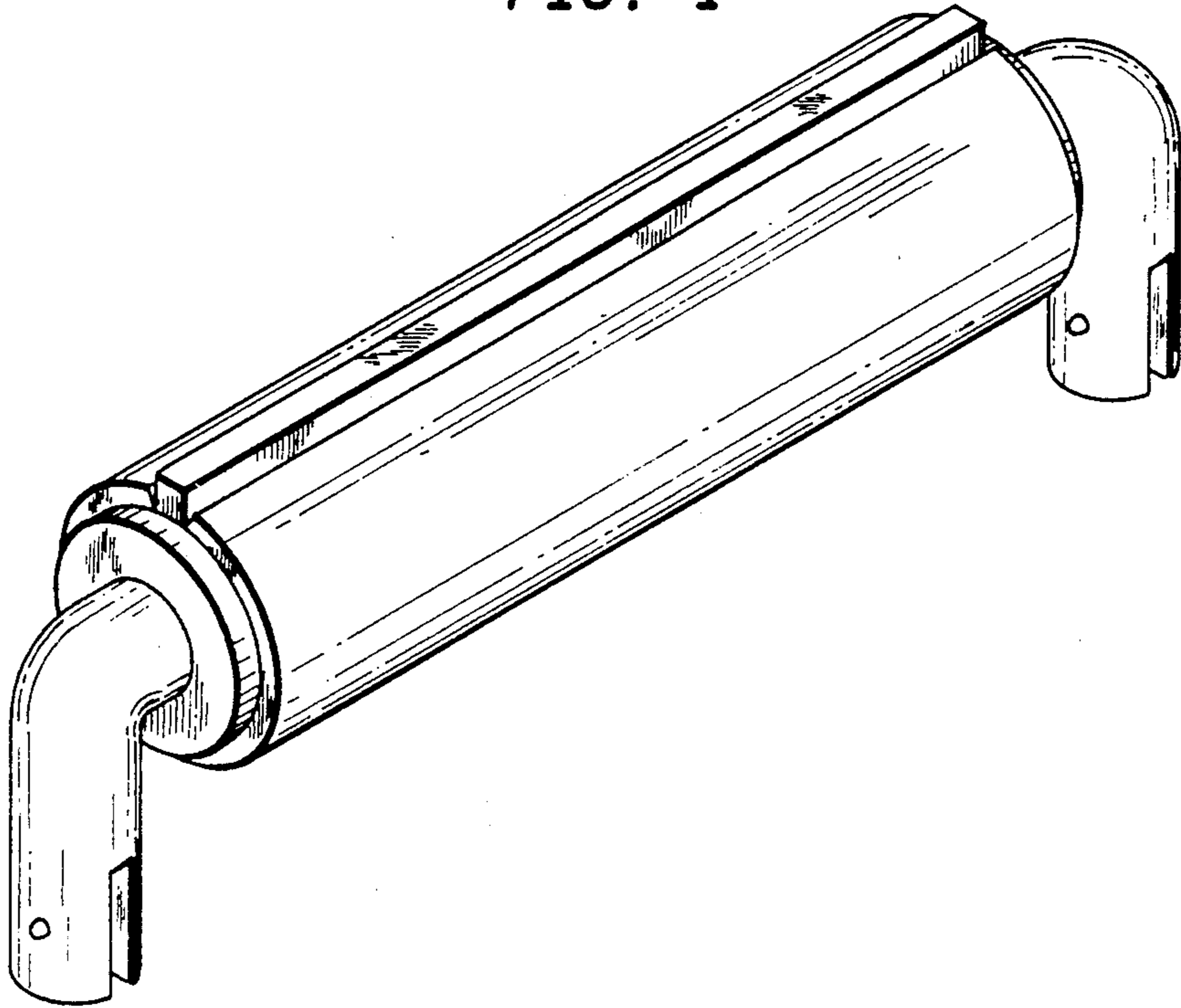


FIG. 2

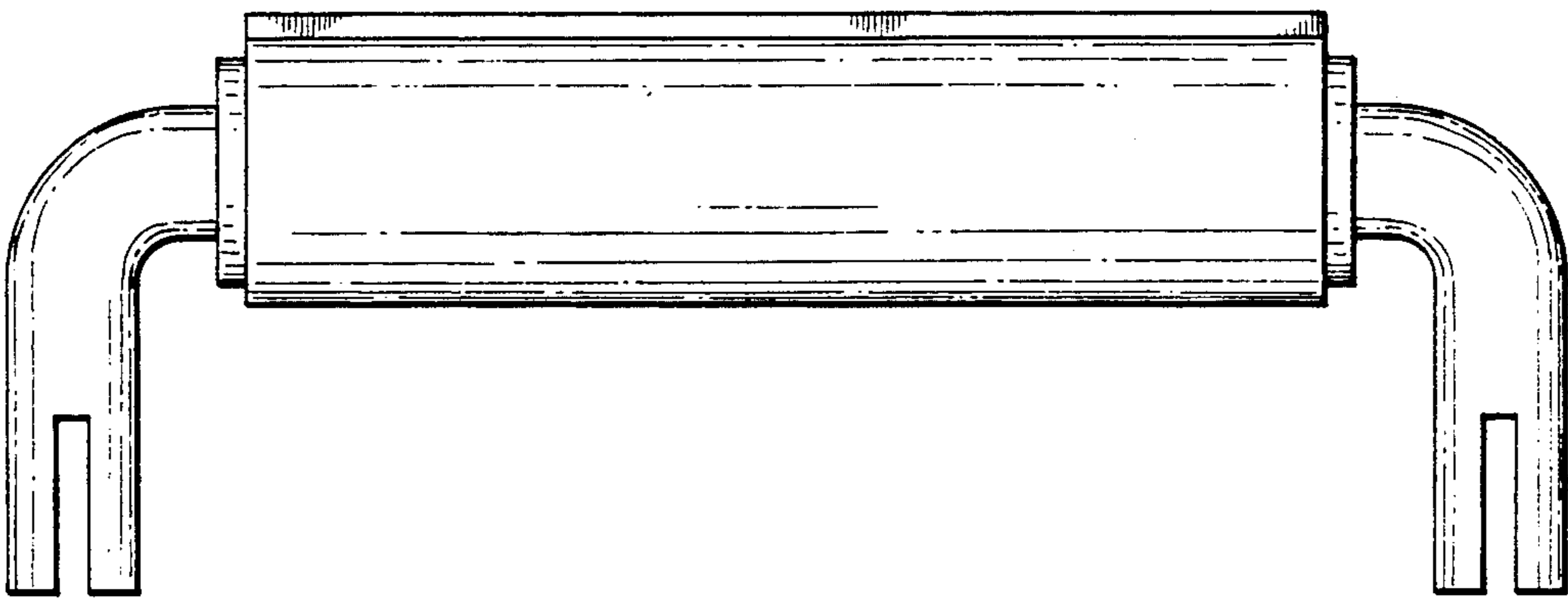


FIG. 3

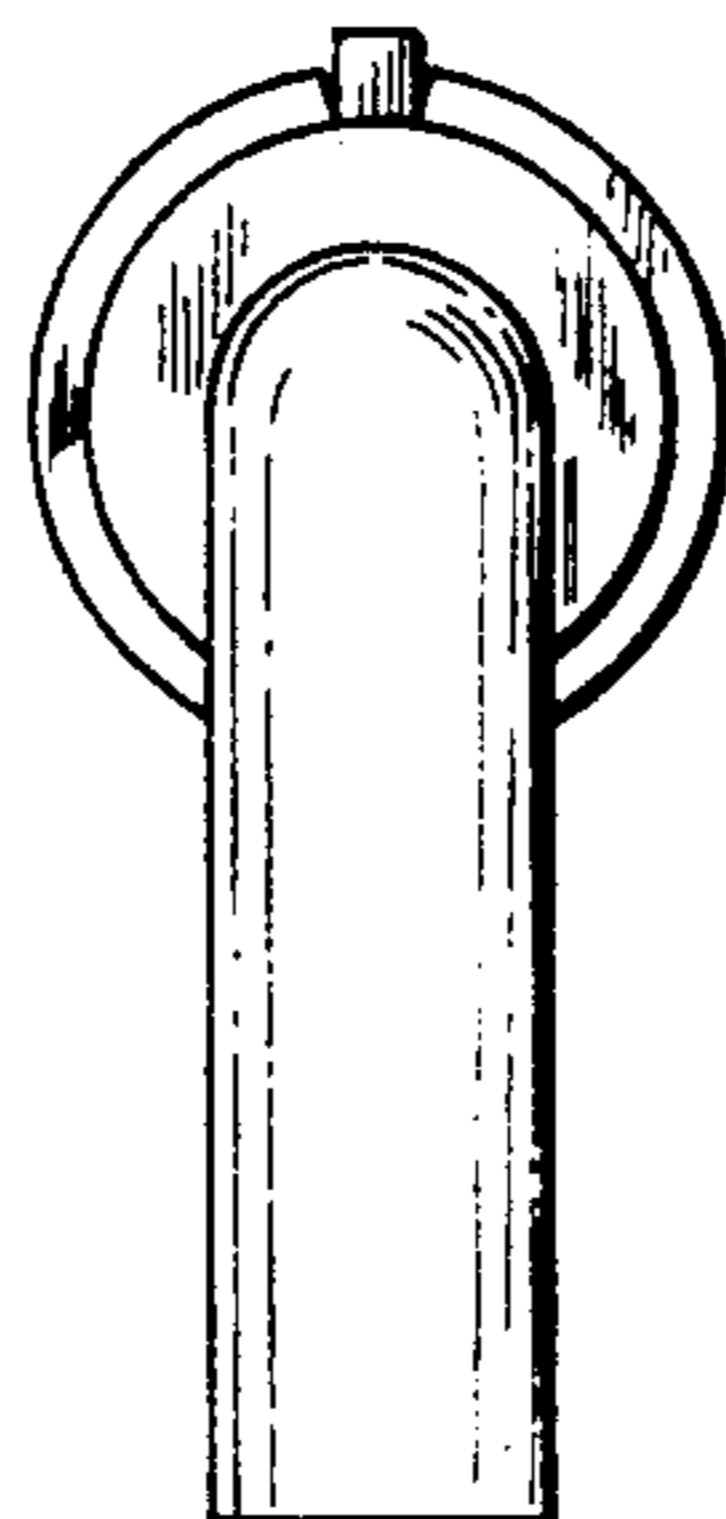


FIG. 4

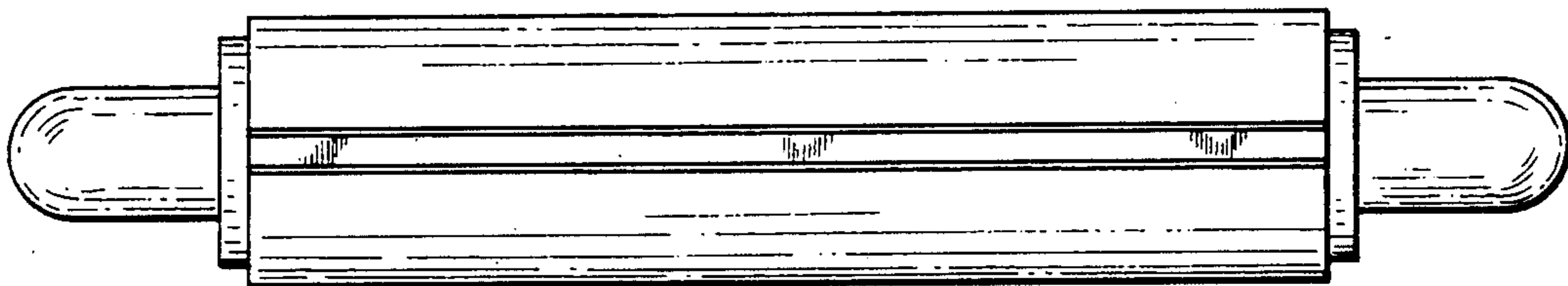


FIG. 5

