

[54] HAND-HELD TOOL

[75] Inventor: Alf K. Johansson, Kalmar, Sweden

[73] Assignee: Atlas Copco Berema Aktiebolag, Nacka, Sweden

[**] Term: 14 Years

[21] Appl. No.: 257,414

[22] Filed: Oct. 13, 1988

[30] Foreign Application Priority Data

Apr. 22, 1988 [SE] Sweden 880999

[52] U.S. Cl. D8/61

[58] Field of Search D8/61, 69, 70; D15/10, D15/147, 199; 125/40, 41; 173/122, 117, 170, 134, 57.14, 57.11, 57.13

[56] References Cited

U.S. PATENT DOCUMENTS

D. 242,427 11/1976 Wilsgaard D8/67

D. 272,710	2/1984	Antonick et al.	D8/67
D. 301,967	7/1989	Sakamoto	D8/67
D. 303,973	10/1989	Kiyooka et al.	D15/10
3,718,193	2/1973	Wanner	173/122
4,673,042	6/1987	Steiner	173/134

Primary Examiner—Nelson C. Holtje
Assistant Examiner—J. H. Musgrove
Attorney, Agent, or Firm—Frishauf, Holtz, Goodman & Woodward

[57] CLAIM

The ornamental design for a hand-held tool, as shown.

DESCRIPTION

FIG. 1 is a left-front side perspective view of a hand-held tool showing my new design; FIG. 2 is a front elevational view; FIG. 3 is a left side elevational view; FIG. 4 is a rear elevational view; FIG. 5 is a right side elevational view; FIG. 6 is a top plan view; and FIG. 7 is a bottom plan view.

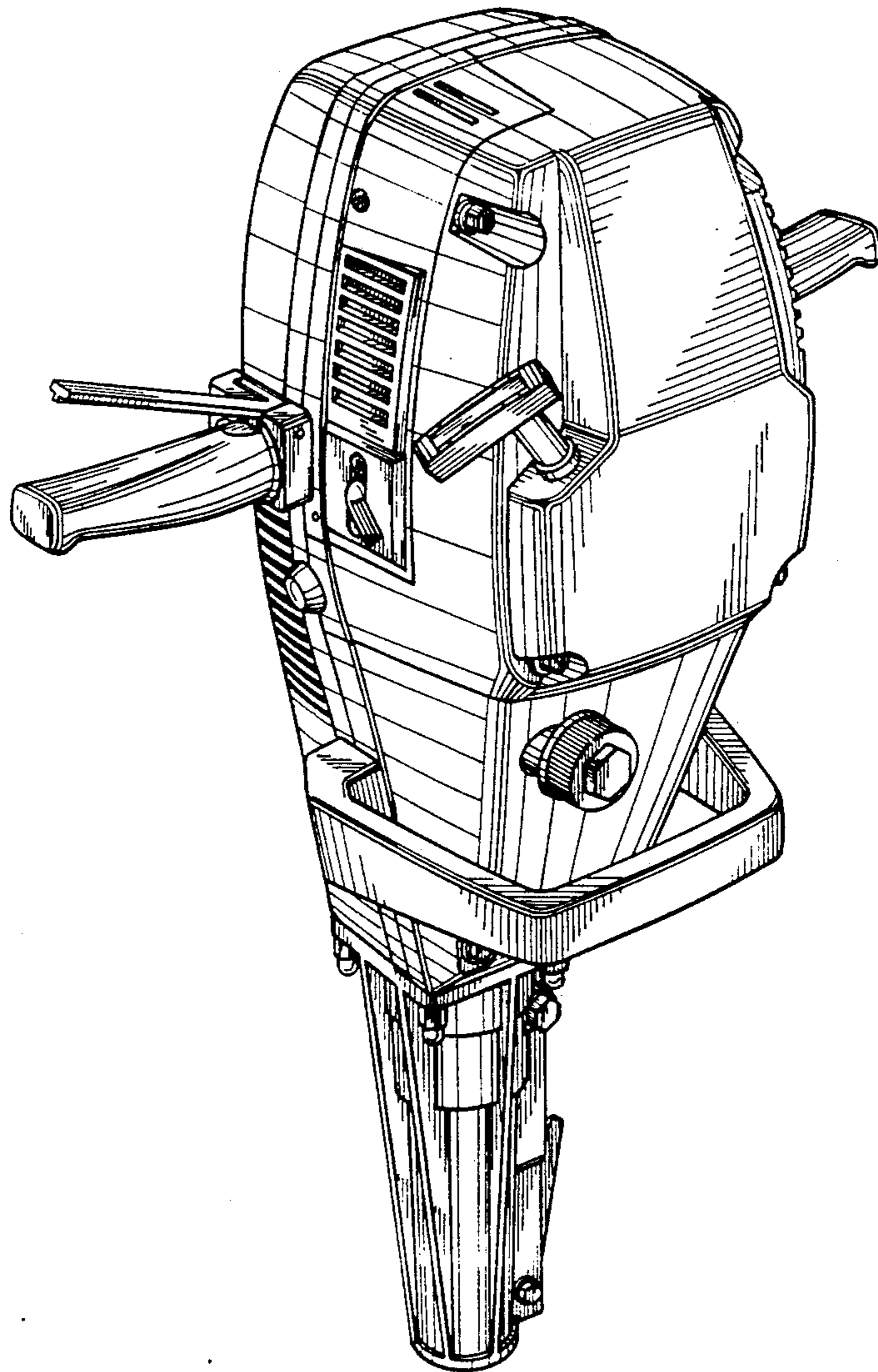
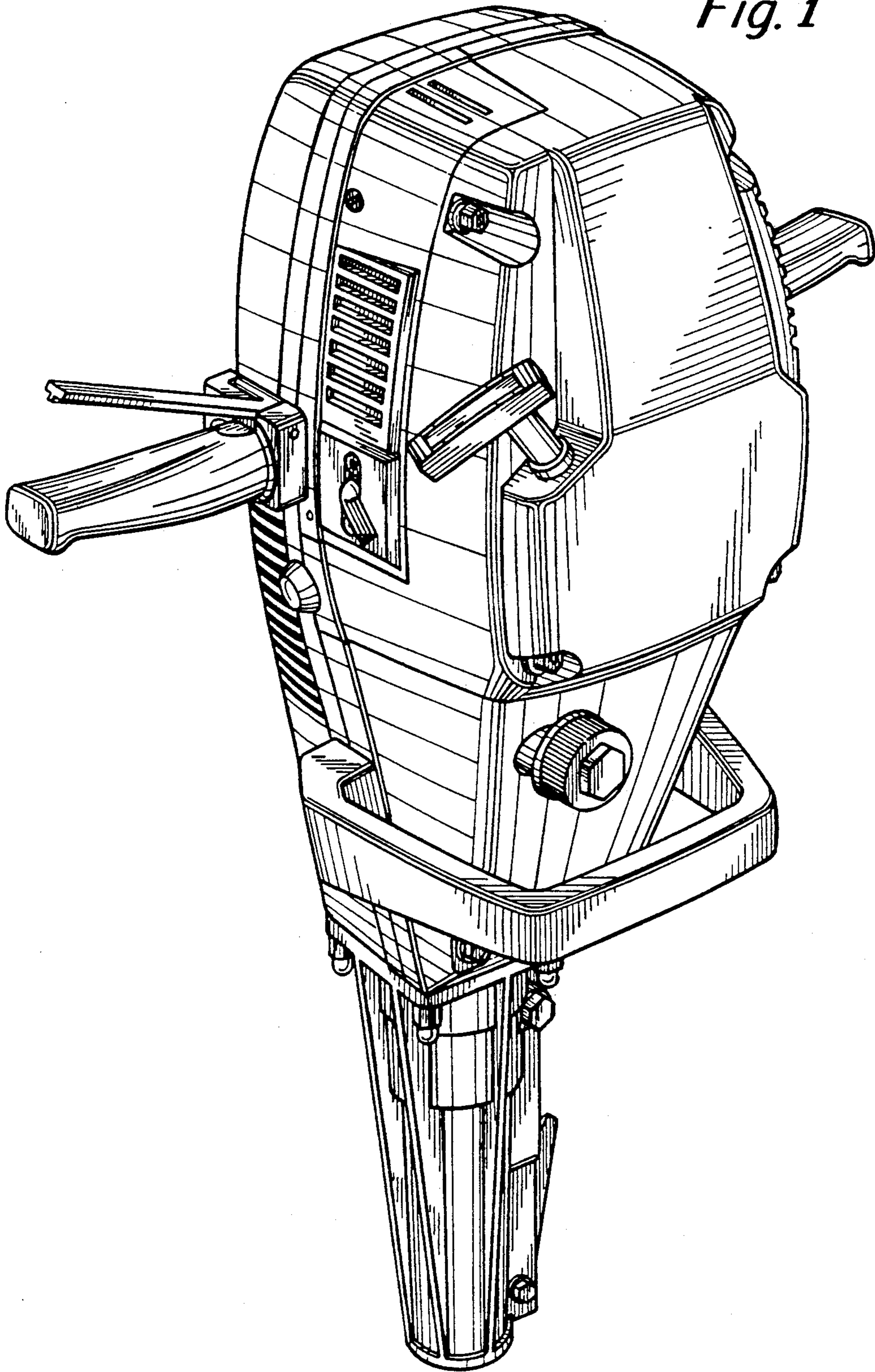


Fig. 1



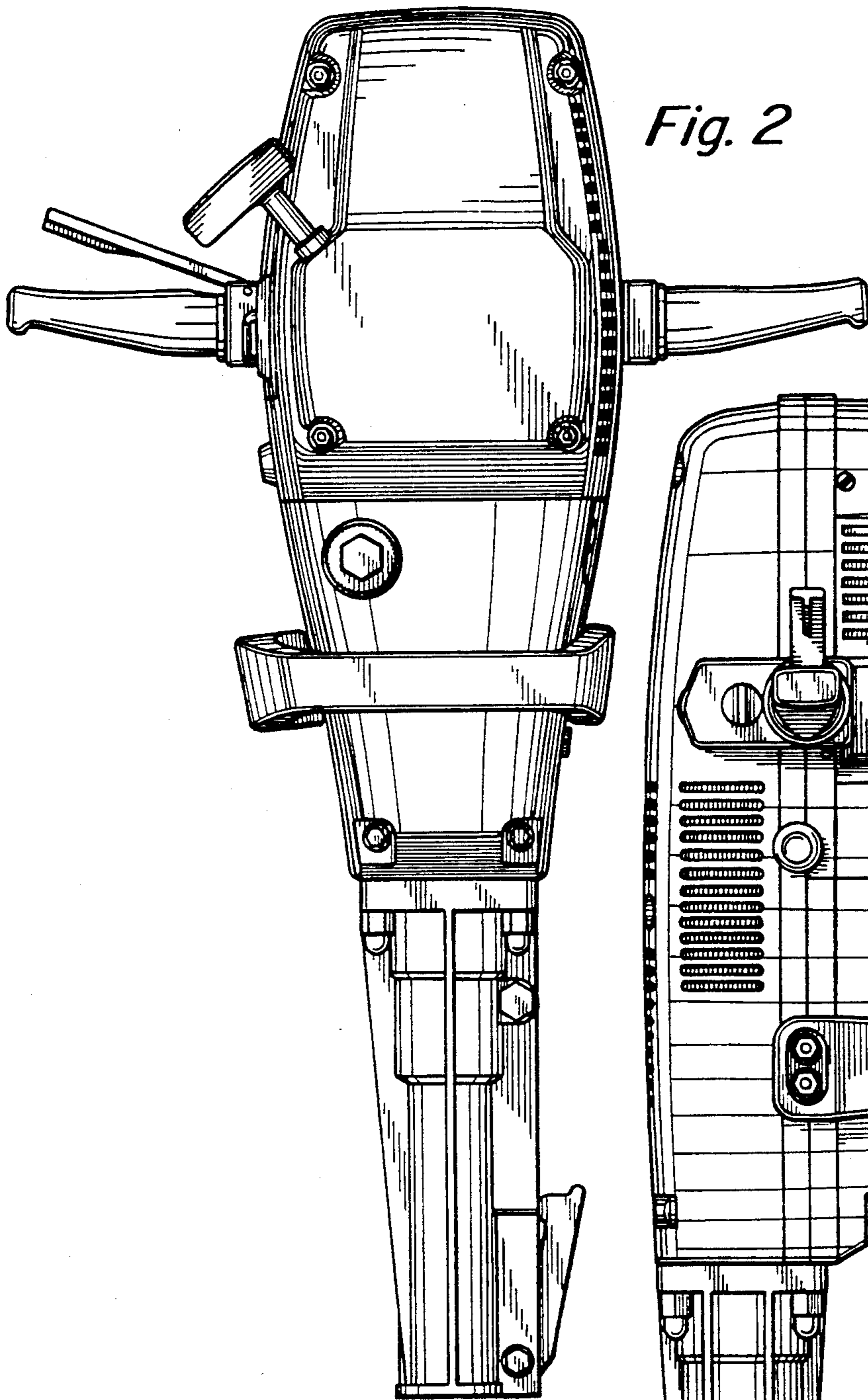


Fig. 2

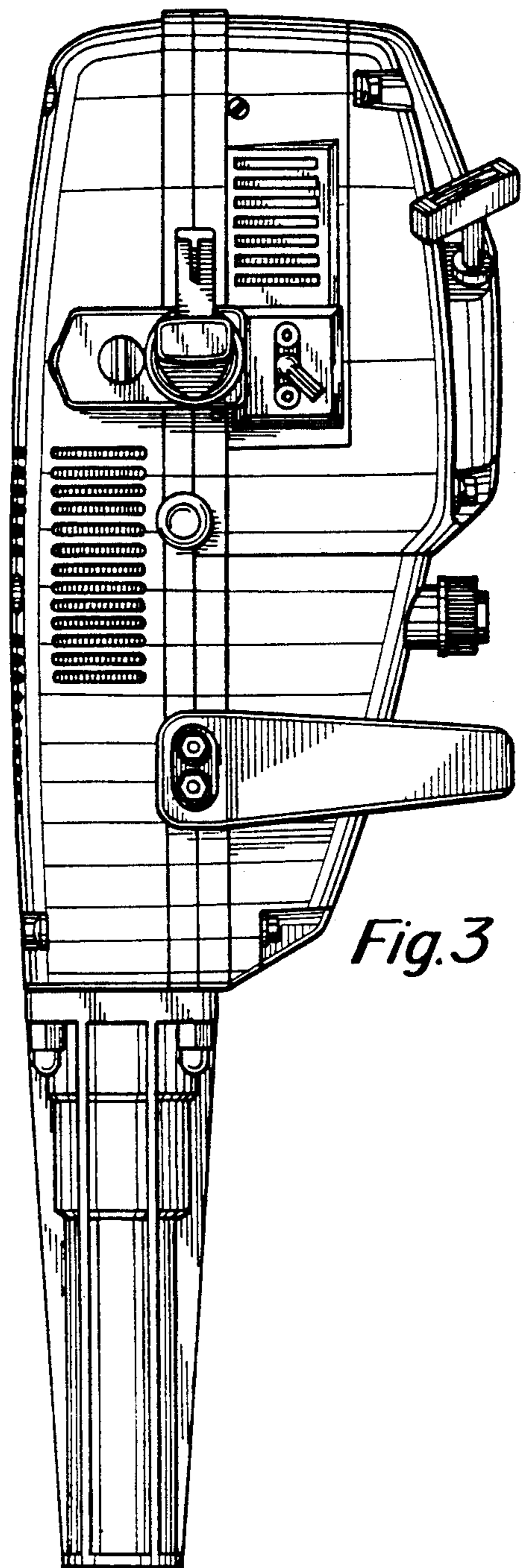


Fig. 3

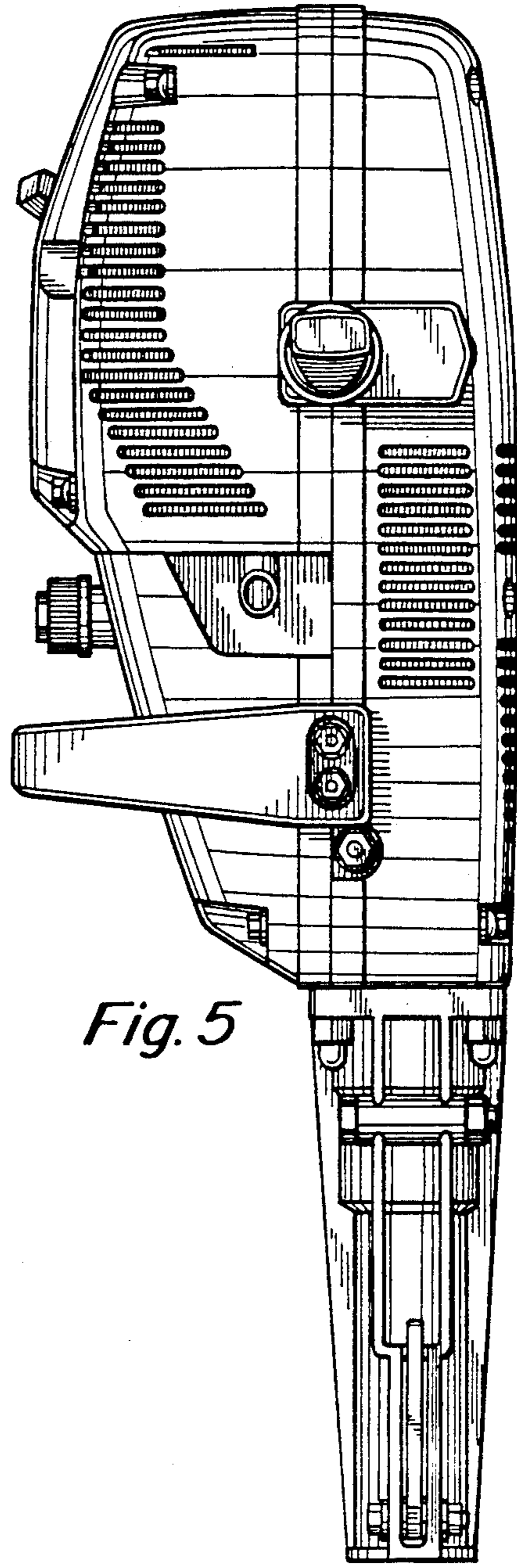
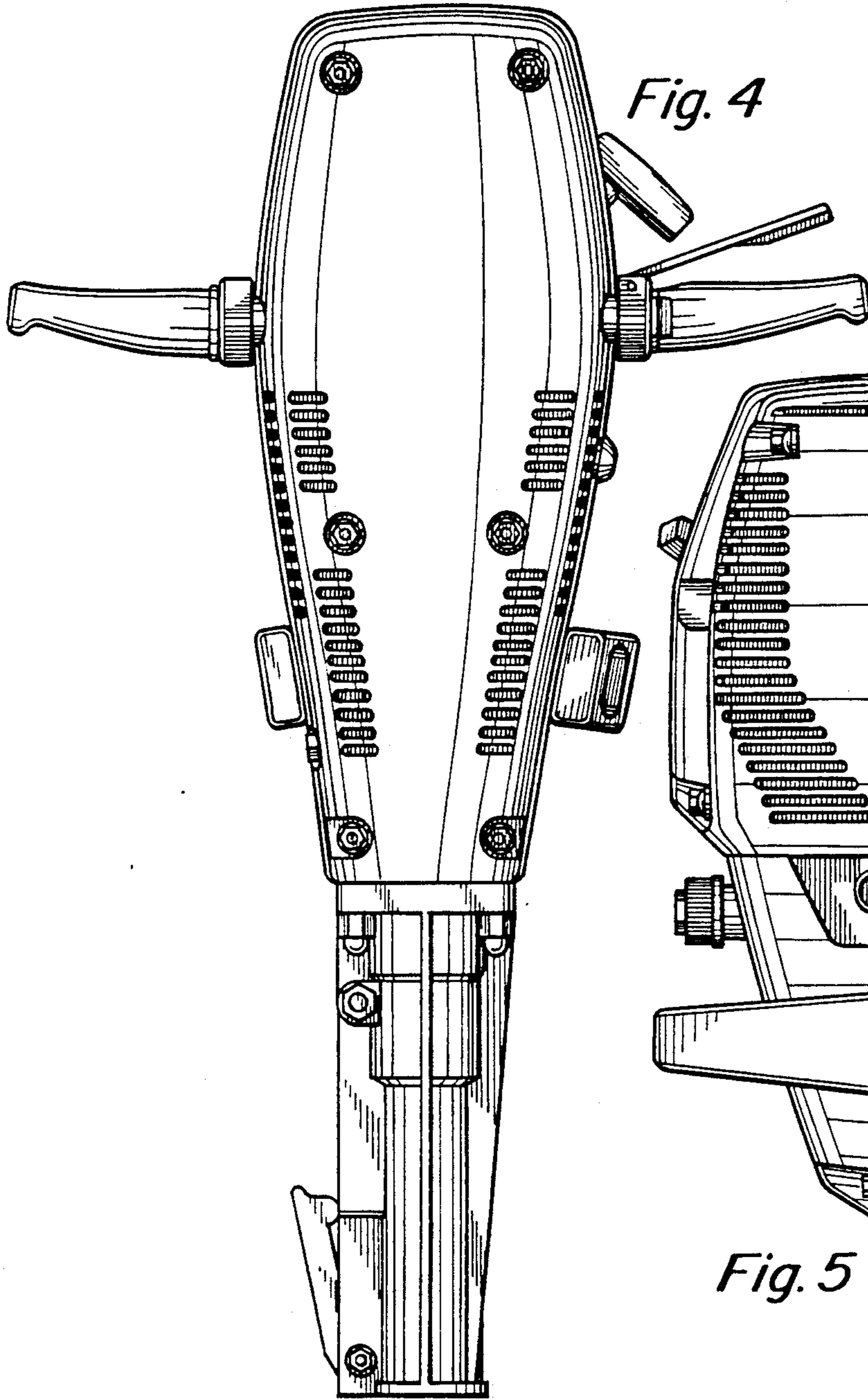


Fig. 6

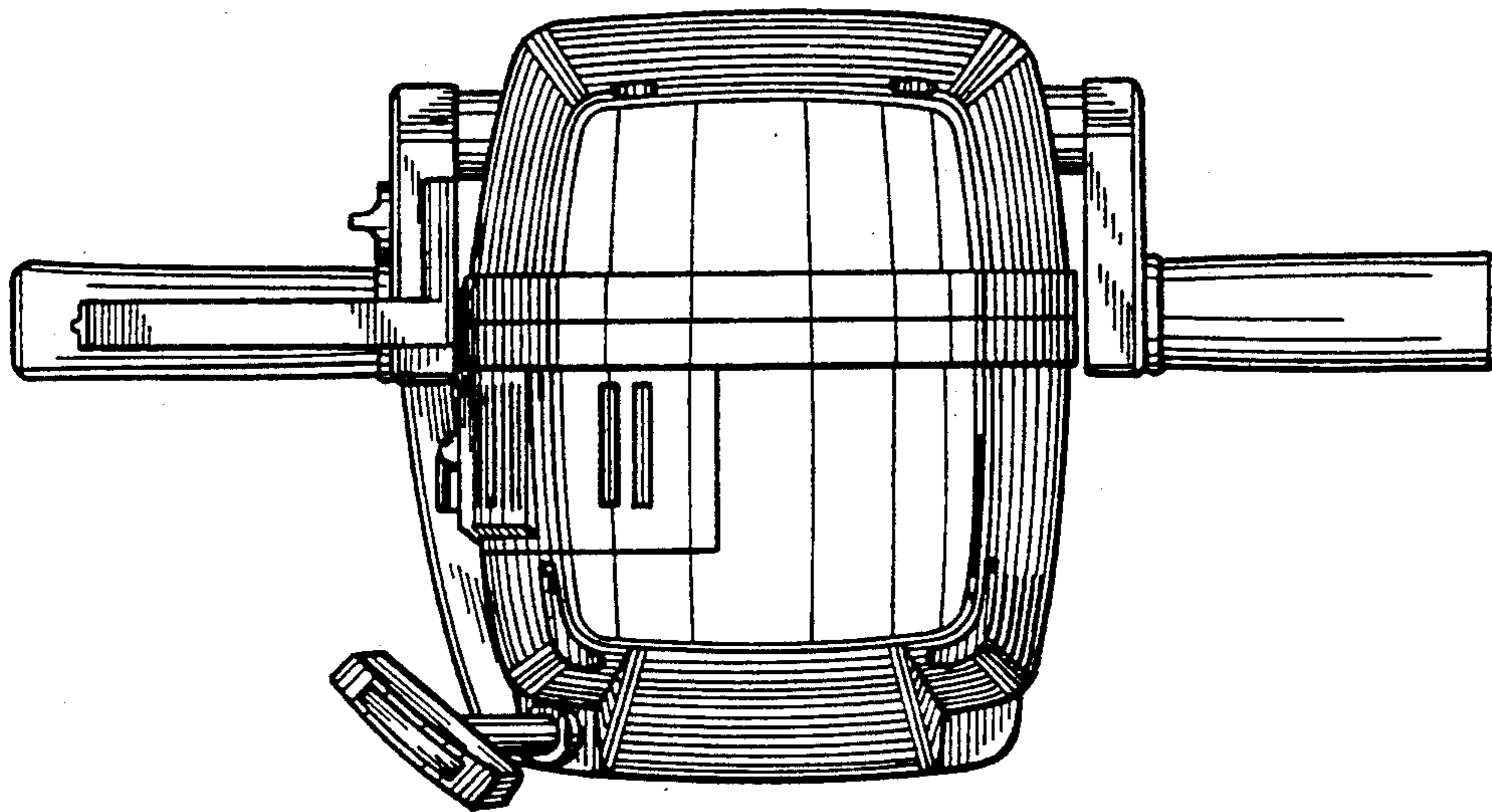


Fig. 7

