

[54] **HAND-HELD TOOL**
[75] **Inventor: Alf K. Johansson, Kalmar, Sweden**
[73] **Assignee: Atlas Copco Berema Aktiebolag, Nacka, Sweden**
[**] **Term: 14 Years**
[21] **Appl. No.: 257,413**
[22] **Filed: Oct. 13, 1988**

[30] **Foreign Application Priority Data**
Apr. 22, 1988 [SE] Sweden 881000
[52] **U.S. Cl. D8/61**
[58] **Field of Search D8/61, 69, 70; D15/10, D15/147, 199; 125/40, 41; 173/122, 117, 170, 134; 81/57.14, 57.11, 57.13**

[56] **References Cited**
U.S. PATENT DOCUMENTS
D. 242,427 11/1976 Wilsgaard D8/67
D. 272,710 2/1984 Antonick D8/67

D. 301,967 7/1989 Sakamoto D8/67
D. 303,973 10/1989 Kiyooka D15/10
3,718,193 2/1973 Wahner 173/122
4,673,042 6/1987 Steiner 173/134

Primary Examiner—Nelson C. Holtje
Assistant Examiner—J. H. Musgrove
Attorney, Agent, or Firm—Frishauf, Holtz, Goodman & Woodward

[57] **CLAIM**
The ornamental design for a hand-held tool, as shown.

DESCRIPTION
FIG. 1 is a left-front side perspective view of a hand-held tool showing my new design; FIG. 2 is a front elevational view; FIG. 3 is a left side elevational view; FIG. 4 is a rear elevational view; FIG. 5 is a right side elevational view; FIG. 6 is a top plan view; and FIG. 7 is a bottom plan view thereof. The broken line showing of the plug is for illustrative purposes only and forms no part of the claimed design.

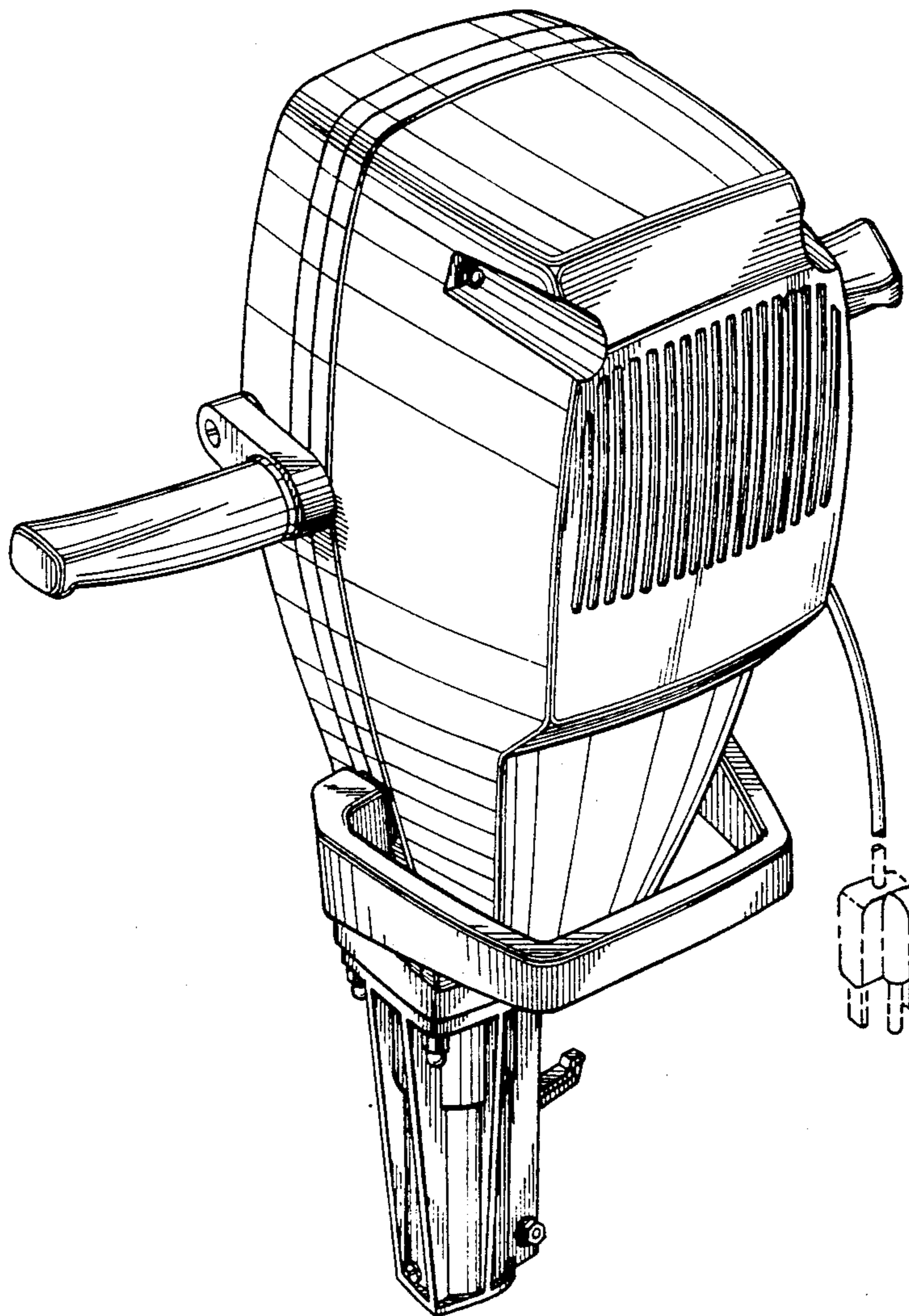
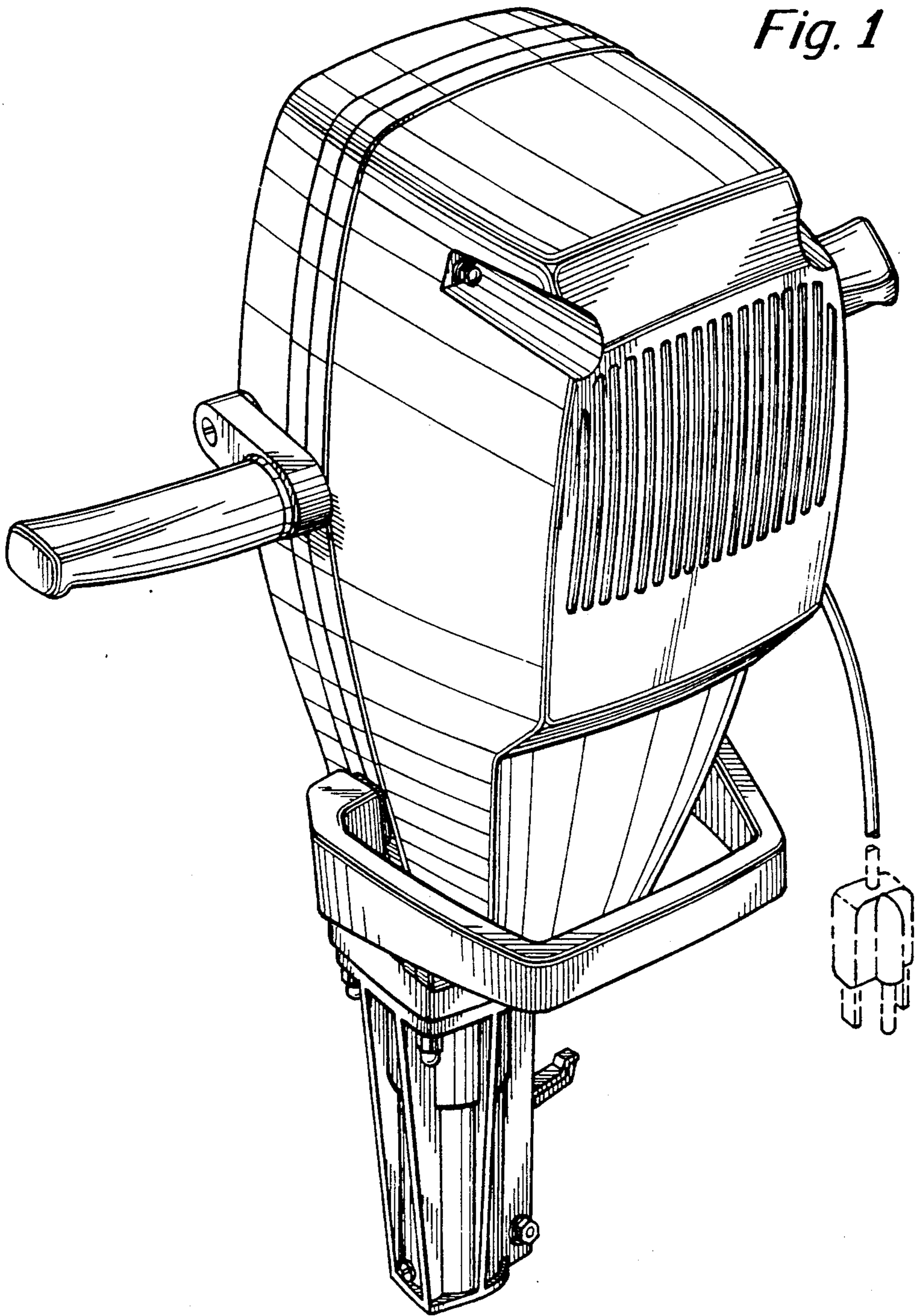


Fig. 1



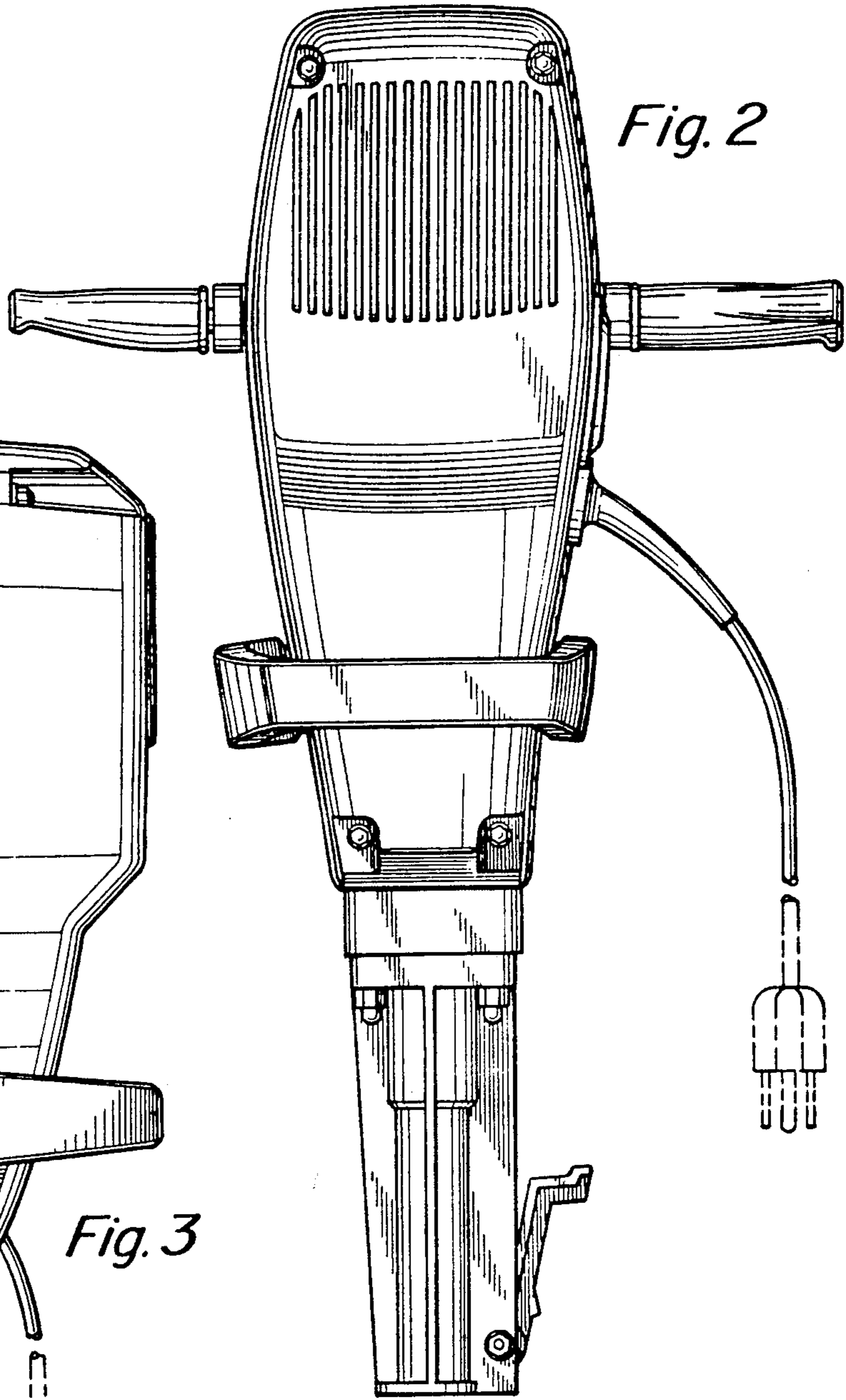


Fig. 2

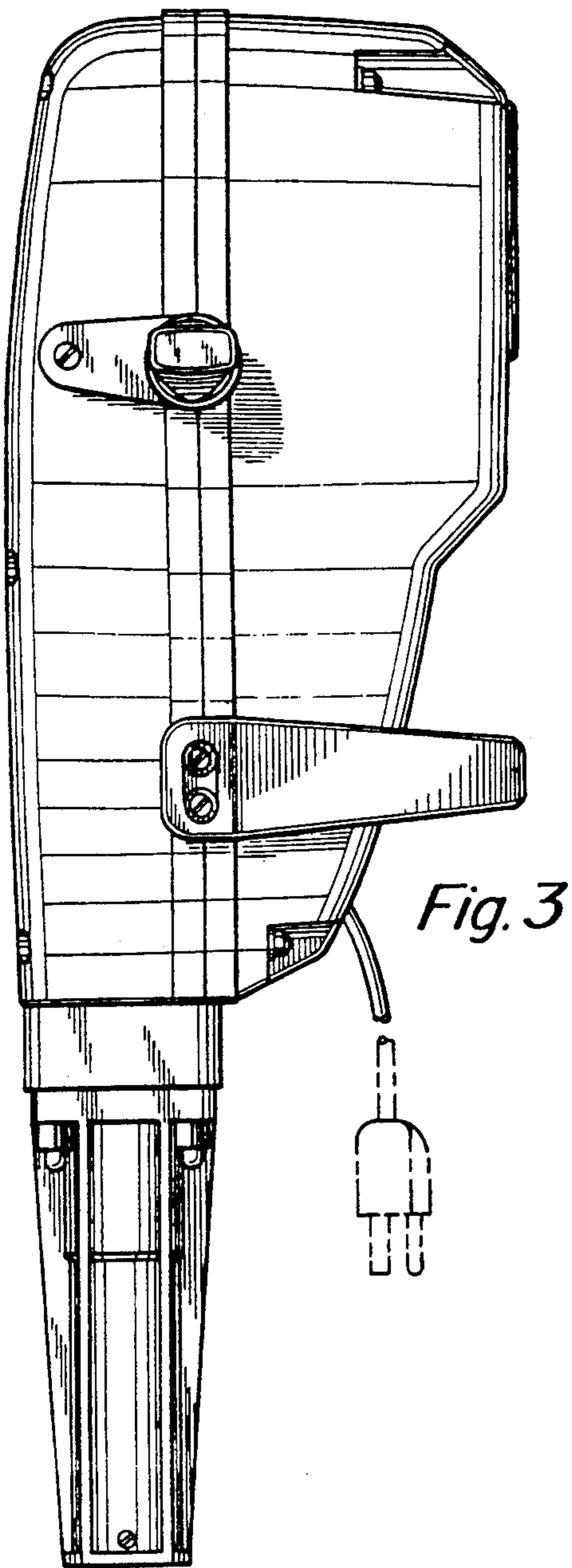


Fig. 3

Fig. 4

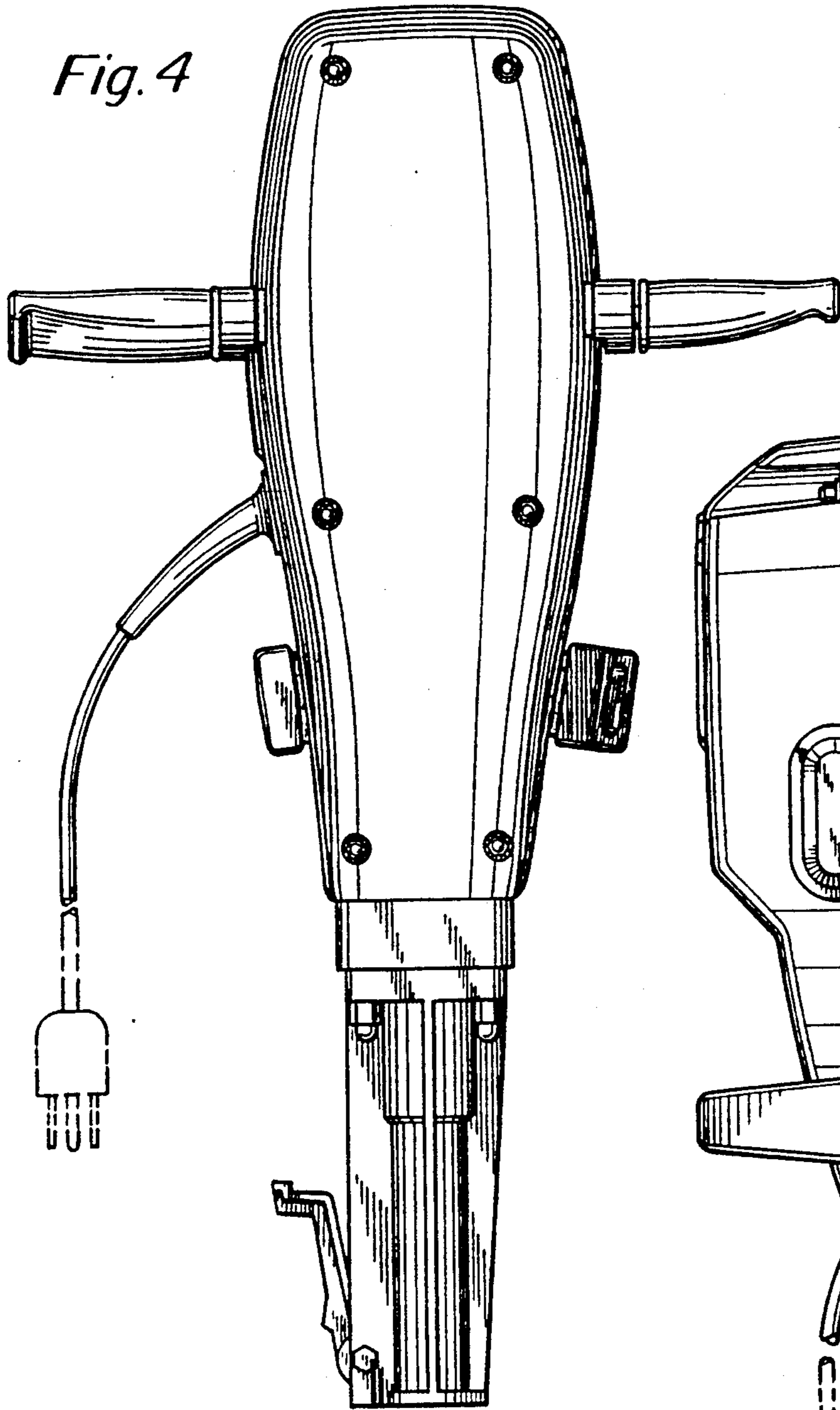


Fig. 5

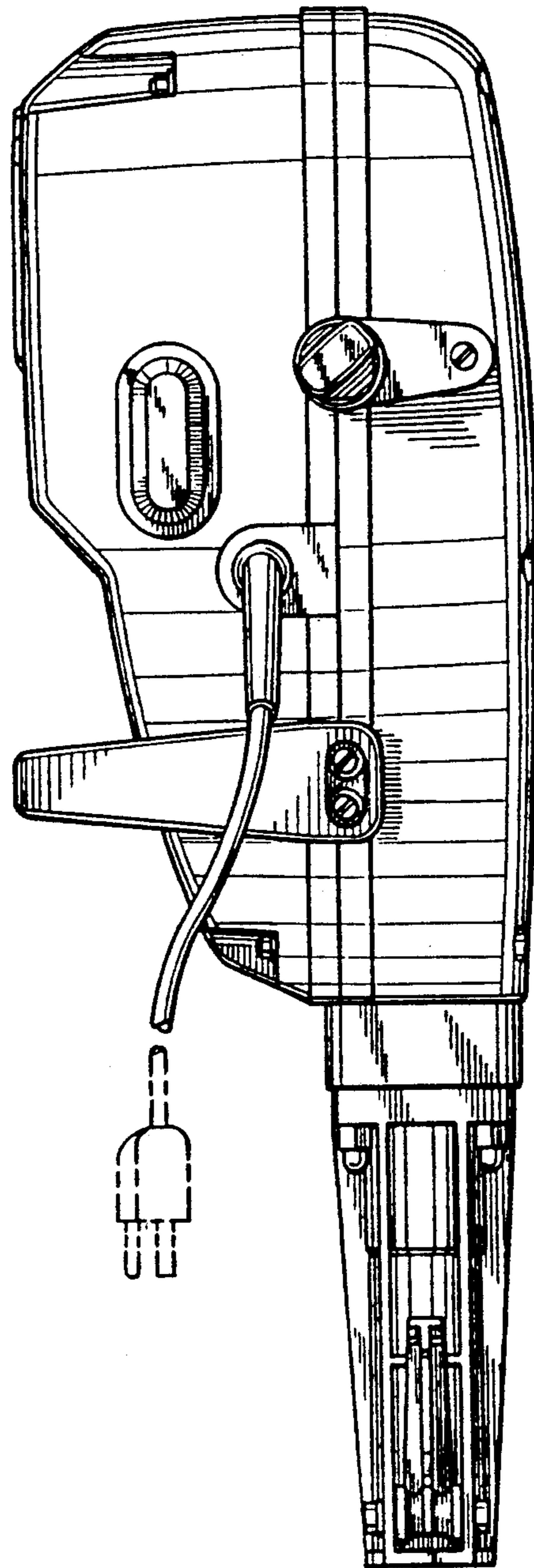


Fig. 6

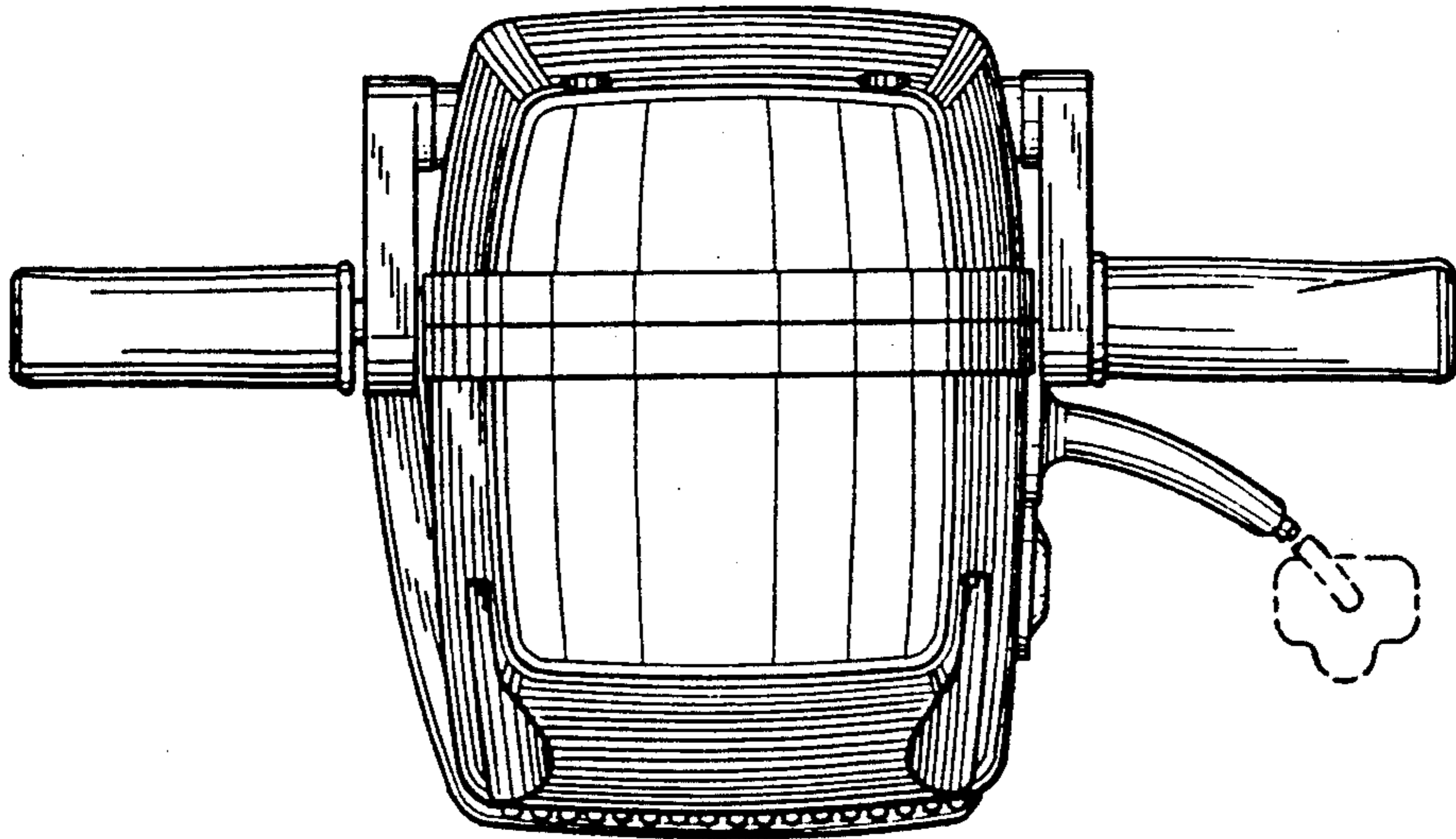


Fig. 7

