

[54] HAND-HELD ELECTRIC CAN OPENER

[75] Inventor: Jean-Louis Barrault,  
Boulogne-Billancourt, France .

[73] Assignee: Moulinex (Societe Anonyme),  
Bagnolet, France

[\*\*] Term: 14 Years

[21] Appl. No.: 394,503

[22] Filed: Aug. 15, 1989

[30] Foreign Application Priority Data

Feb. 15, 1989 [FR] France ..... 89 1108

[52] U.S. Cl. .... D8/36; D8/66;  
D8/69

[58] Field of Search ..... D8/33-34,  
D8/36, 40, 41, 66, 69; 30/400, 409, 416,  
421-427

[56] References Cited

U.S. PATENT DOCUMENTS

D. 277,118 1/1985 Klawitter ..... D8/66 X

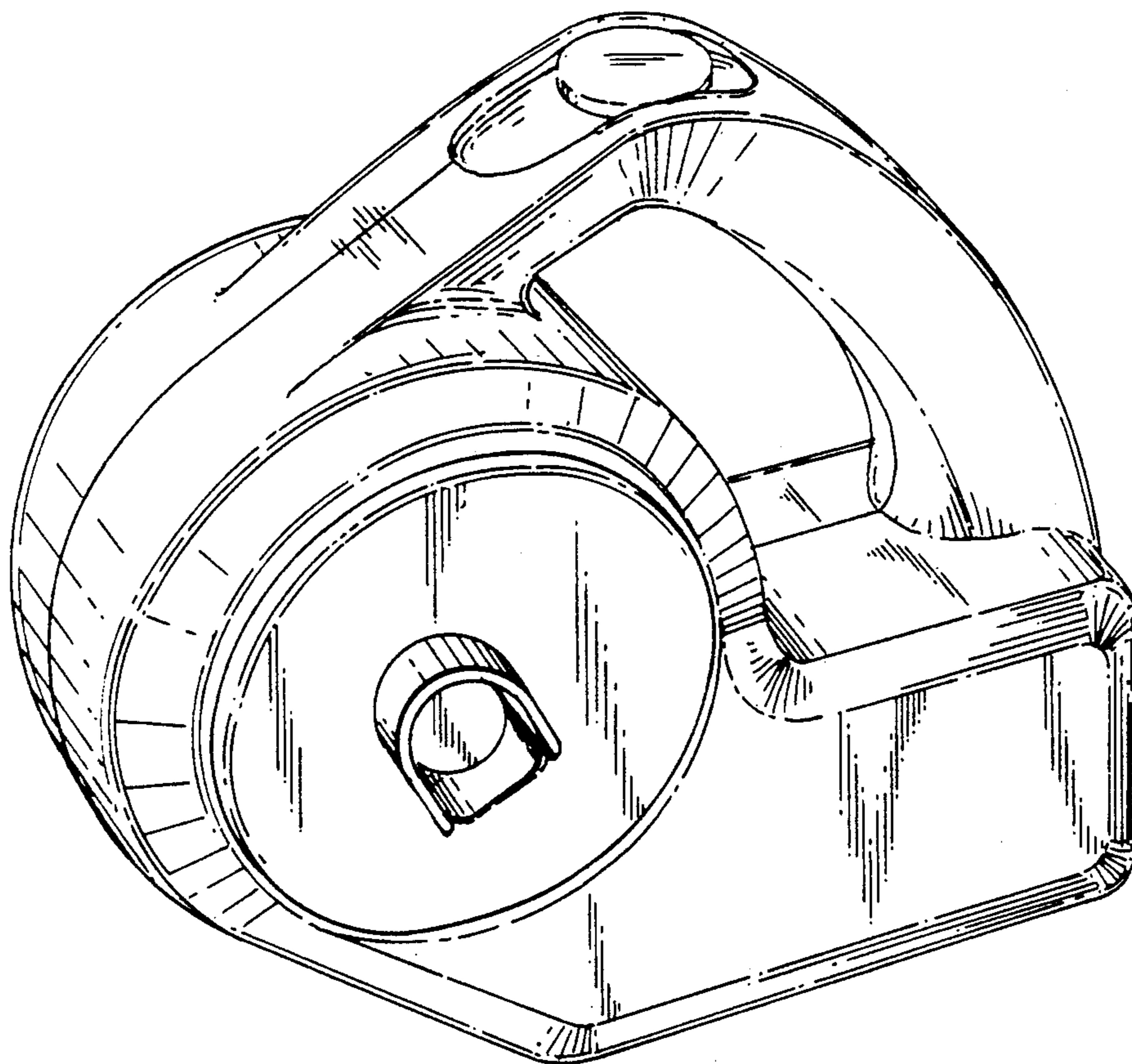
Primary Examiner—Terry A. Pfeffer  
Attorney, Agent, or Firm—Young & Thompson

[57] CLAIM

The ornamental design for a hand-held electric can opener, as shown.

DESCRIPTION

FIG. 1 is a top, front perspective view of a hand-held electric can opener showing my new design; FIG. 2 is a right side elevational view thereof; FIG. 3 is a left side elevational view thereof; FIG. 4 is a rear elevational view thereof; FIG. 5 is a front elevational view thereof. FIG. 6 is a top plan view thereof; and FIG. 7 is a bottom plan view thereof.



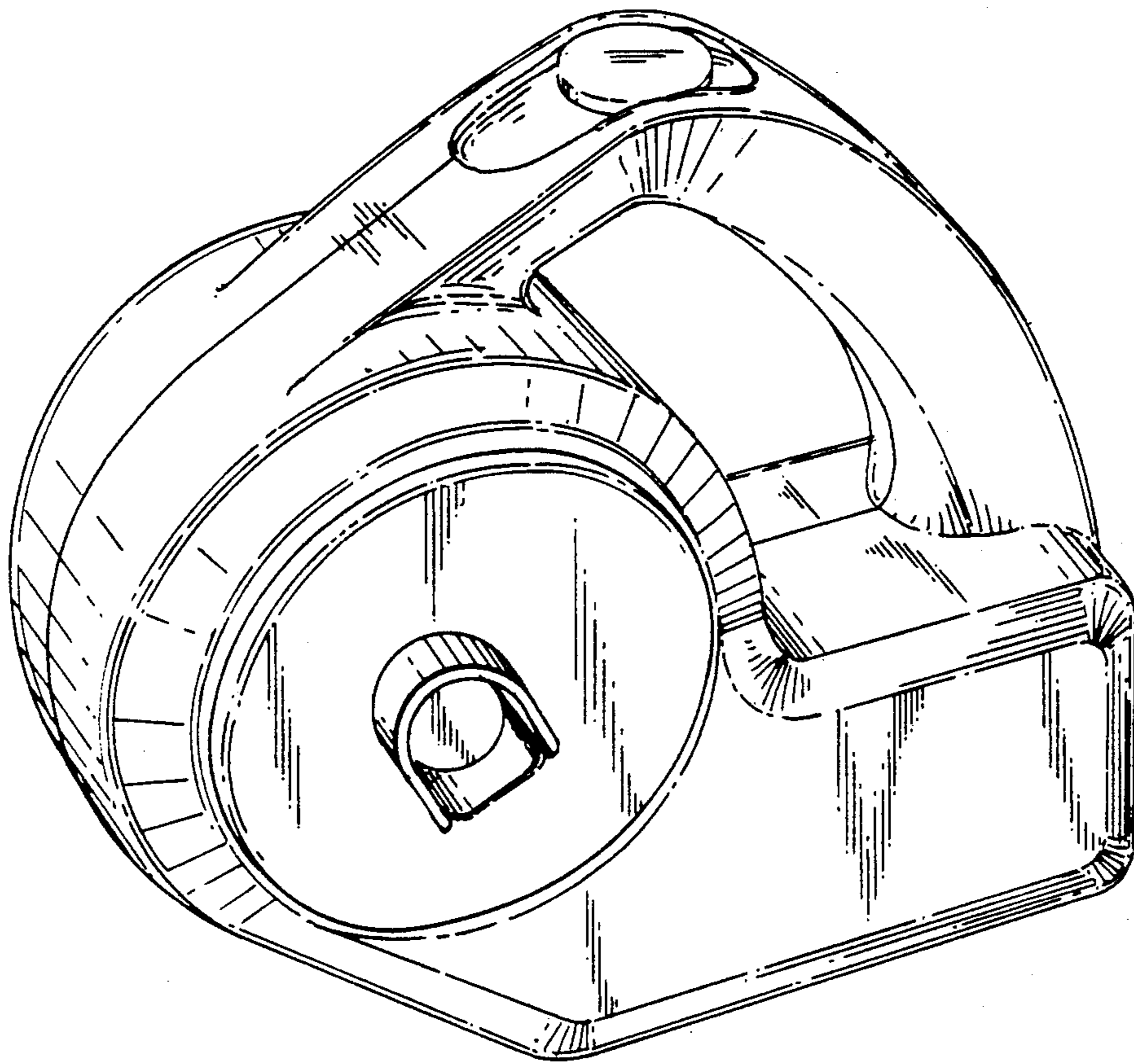


FIG. 1

FIG. 2

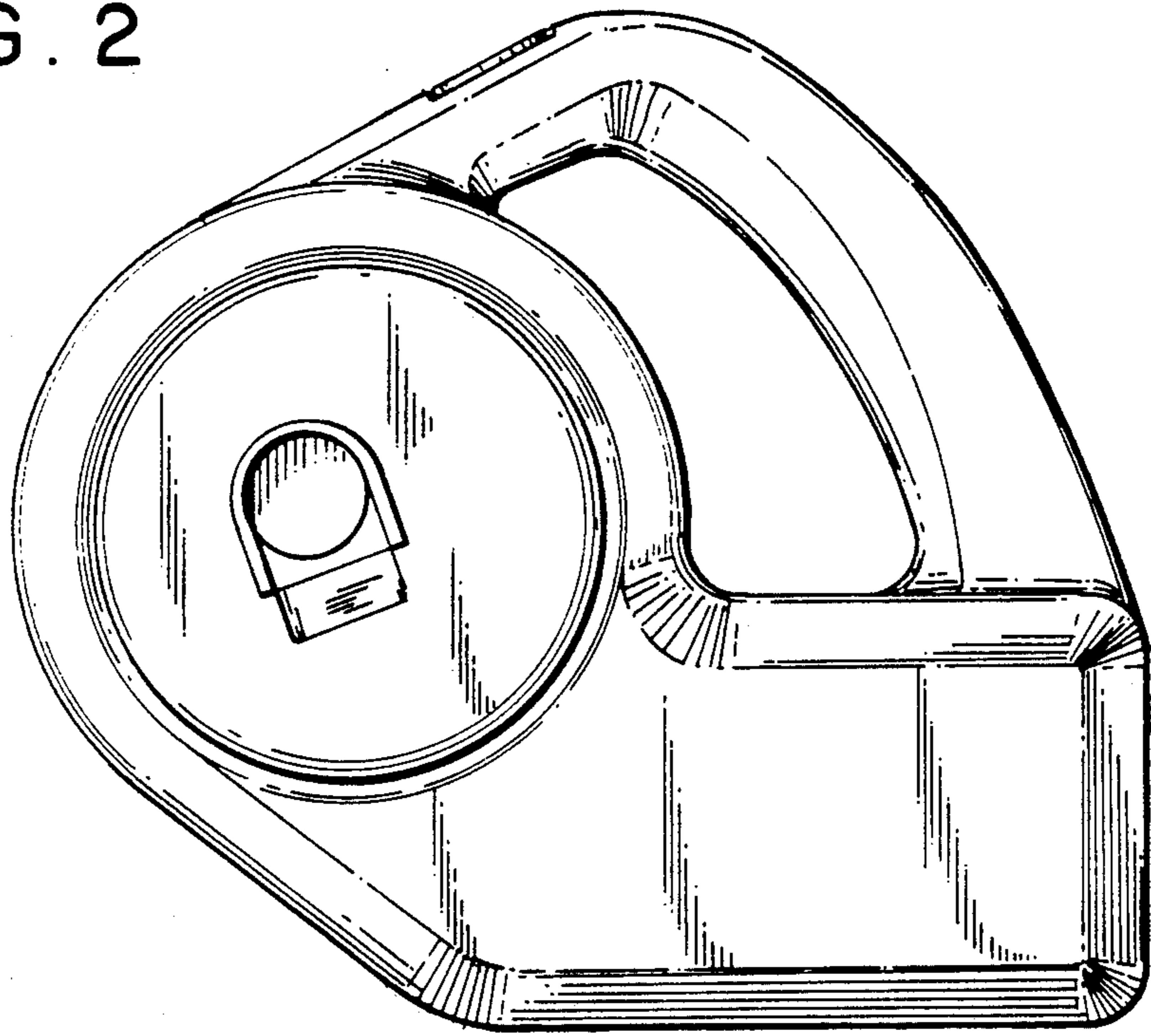
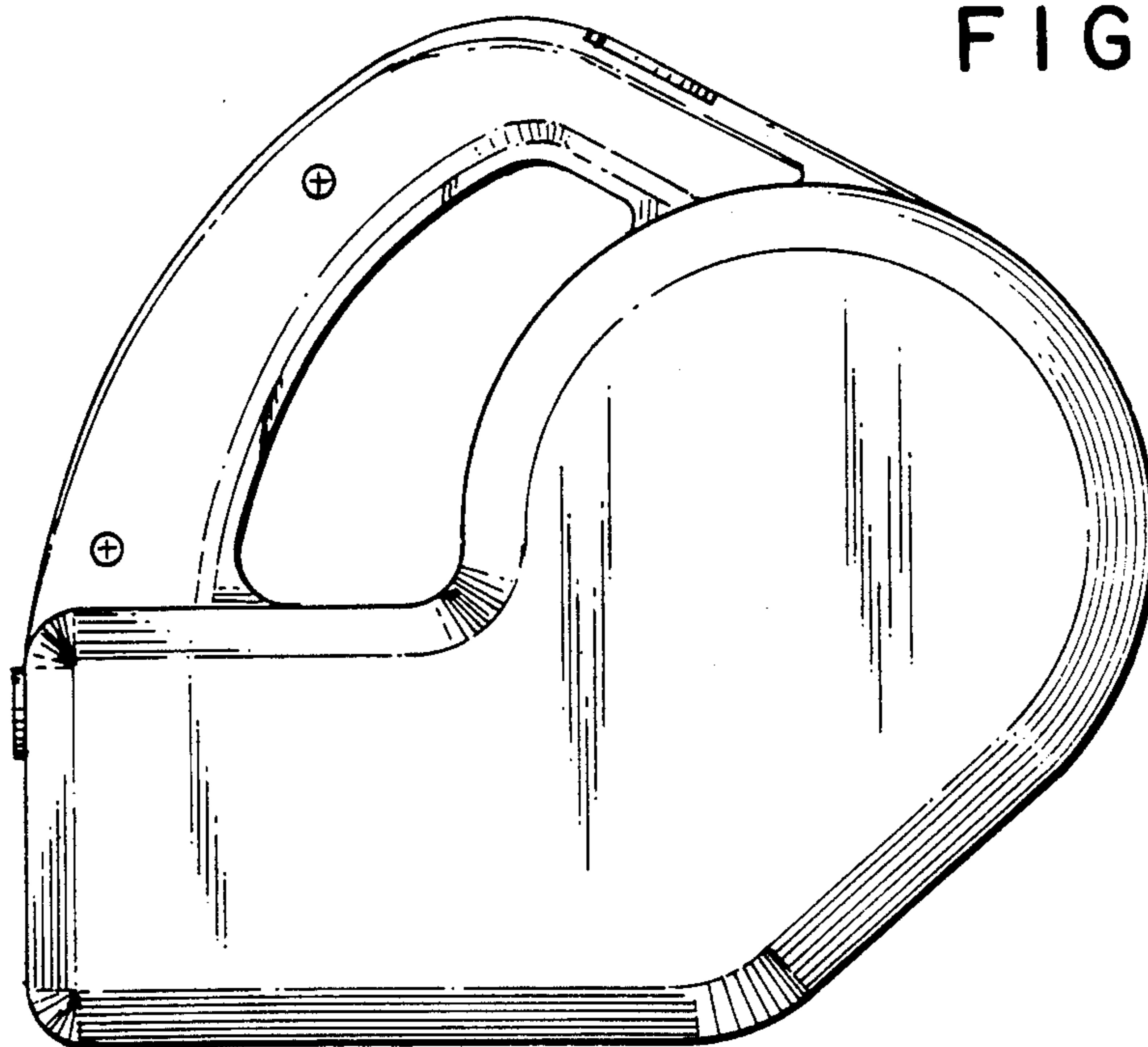


FIG. 3



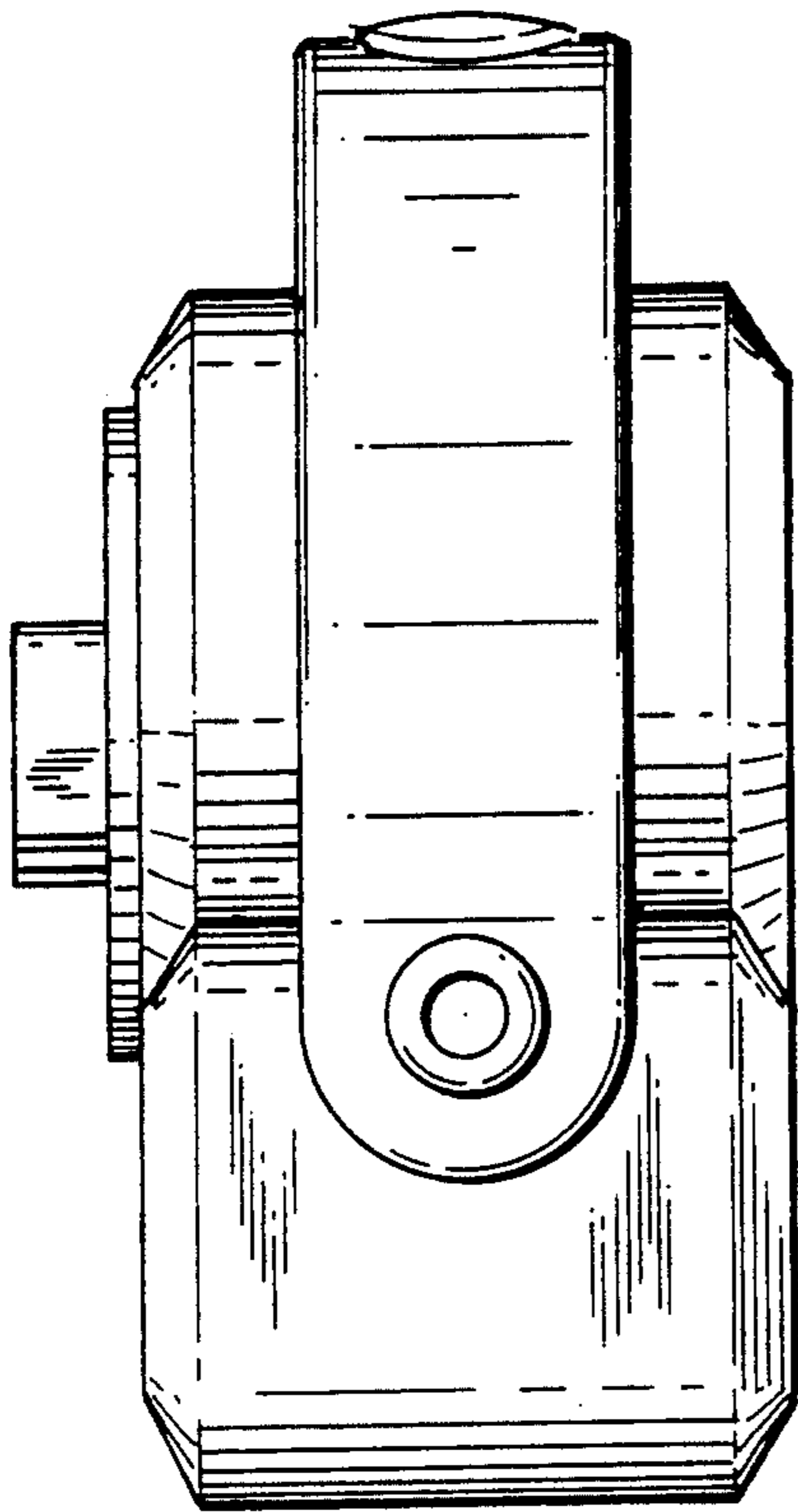


FIG. 4

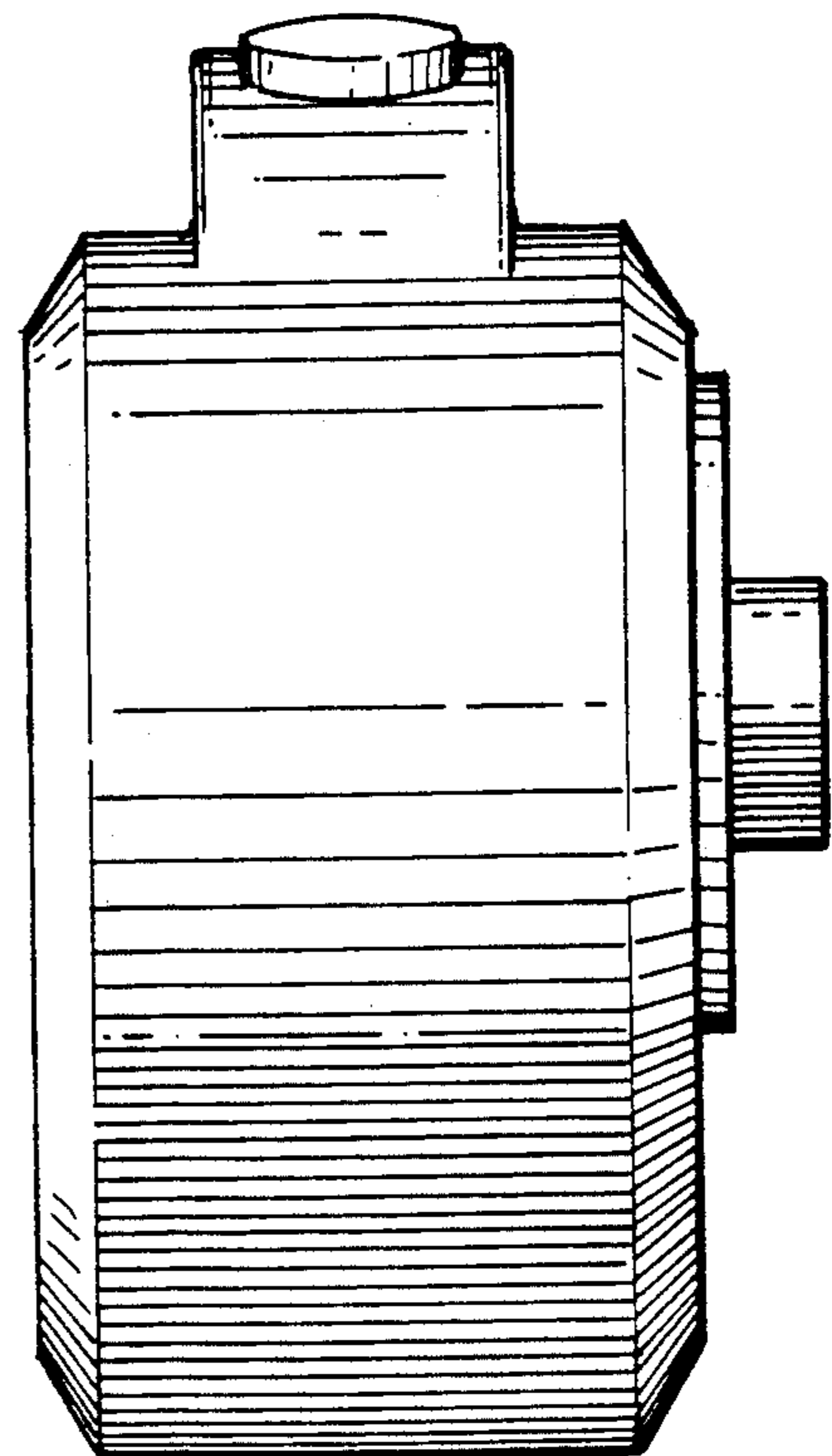


FIG. 5

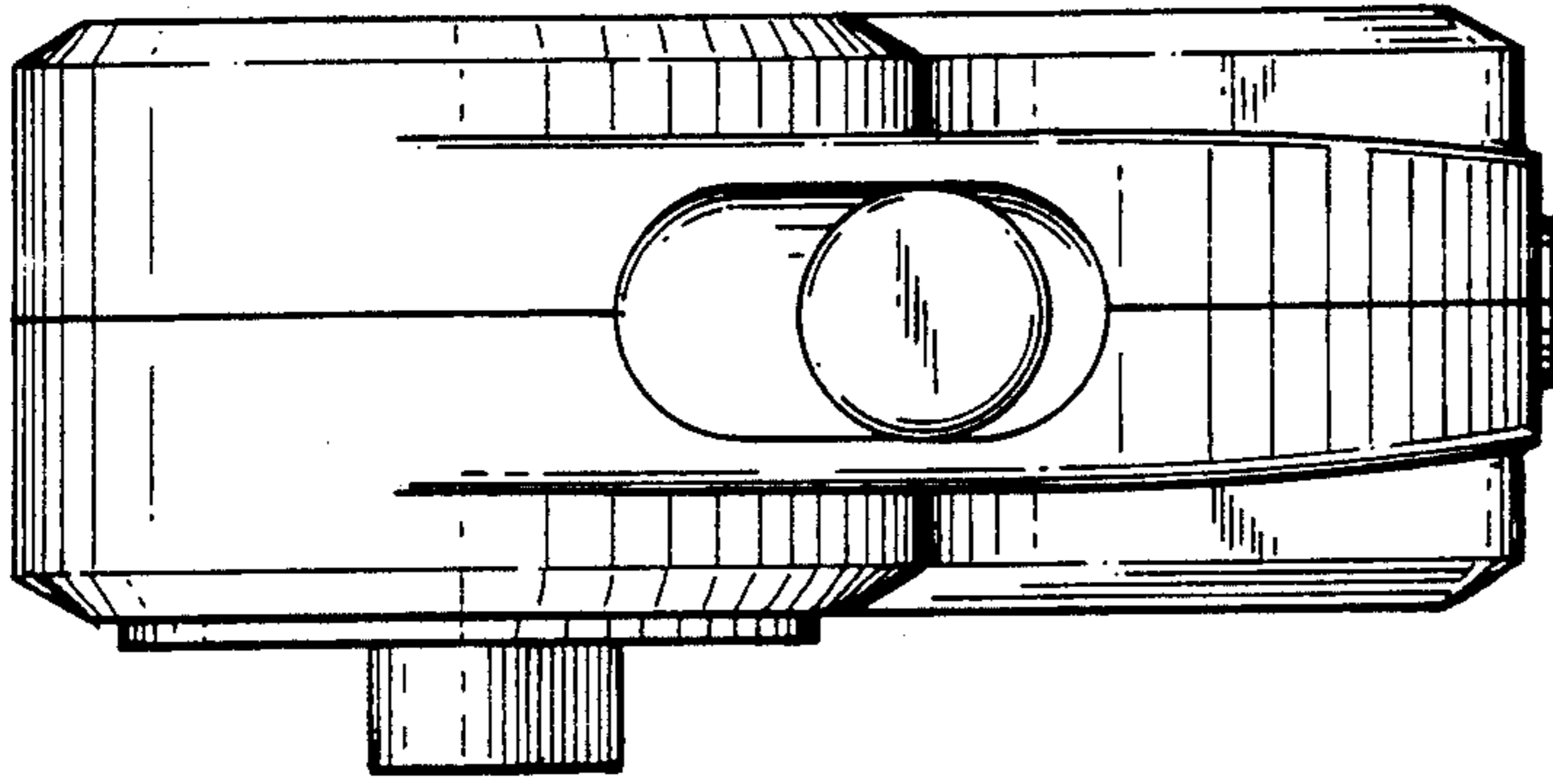


FIG. 6

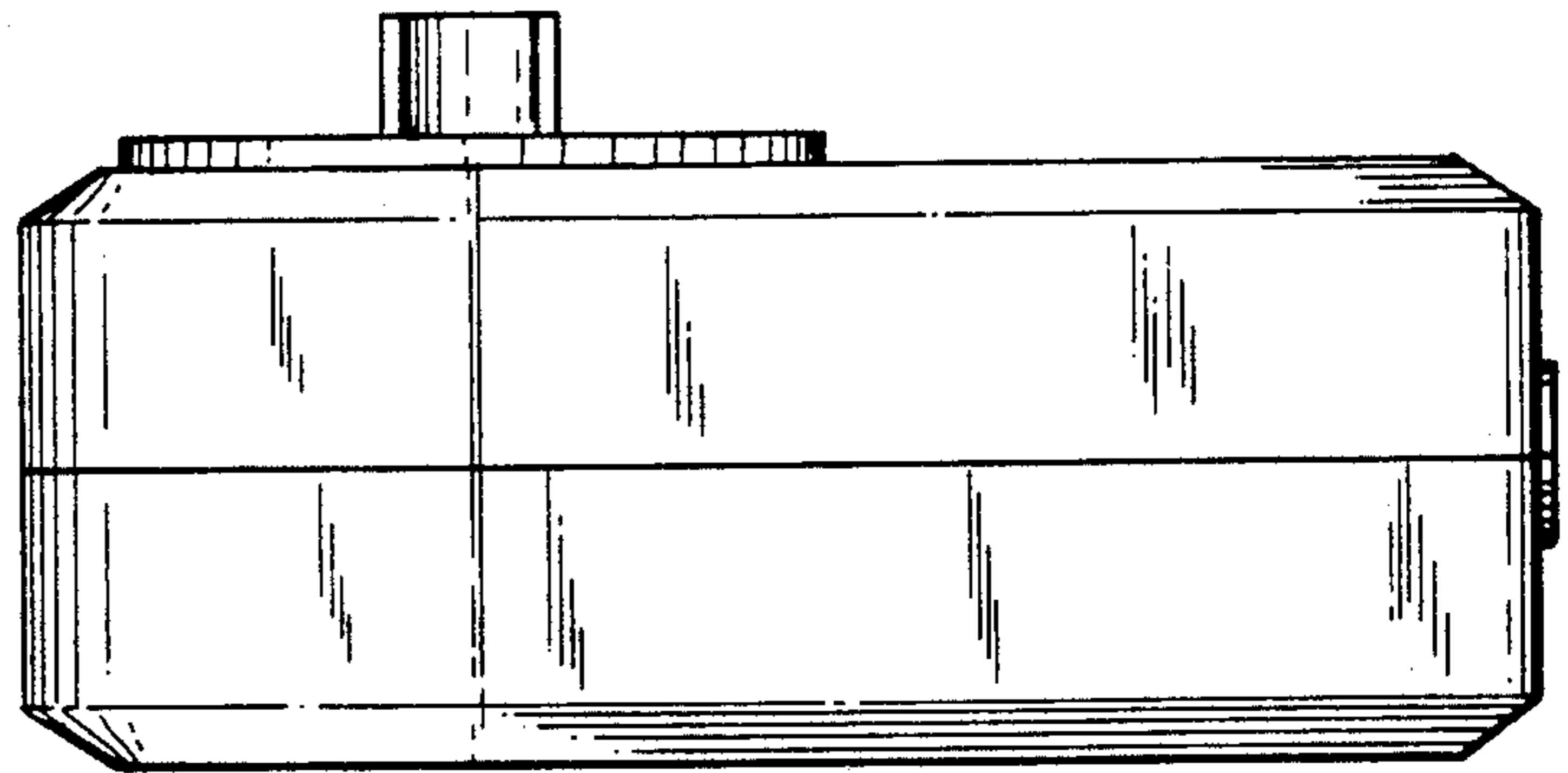


FIG. 7