

[54] CONTAINER OPENER

Primary Examiner—Terry A. Pfeffer

[76] Inventors: Curtis D. Able, 8107 St. Andrew Rd.;
Sebert C. Atzinger, 1501 Sand Dr.;
Logan A. Atzinger, 7900 Conifer Dr.,
all of Louisville, Ky. 40258

[57] CLAIM

The ornamental design for container opener, as shown and described.

[**] Term: 14 Years

DESCRIPTION

[21] Appl. No.: 314,205

FIG. 1 is a top, front, right side perspective view of a container opener showing our new design;

[22] Filed: Feb. 22, 1989

FIG. 2 is a front elevational view thereof, the opposite side being a mirror image;

[52] U.S. Cl. D8/18; D8/40

FIG. 3 is a bottom plan view thereof;

[58] Field of Search D8/18, 33, 34, 40, 88,
D8/89; 7/151; 81/3.07, 3.09, 3.55, 3.57; 294/12

FIG. 4 is a fragmentary left side elevational view thereof;

[56] References Cited

FIG. 5 is a top, front left side perspective view of a second embodiment of that shown in FIG. 1;

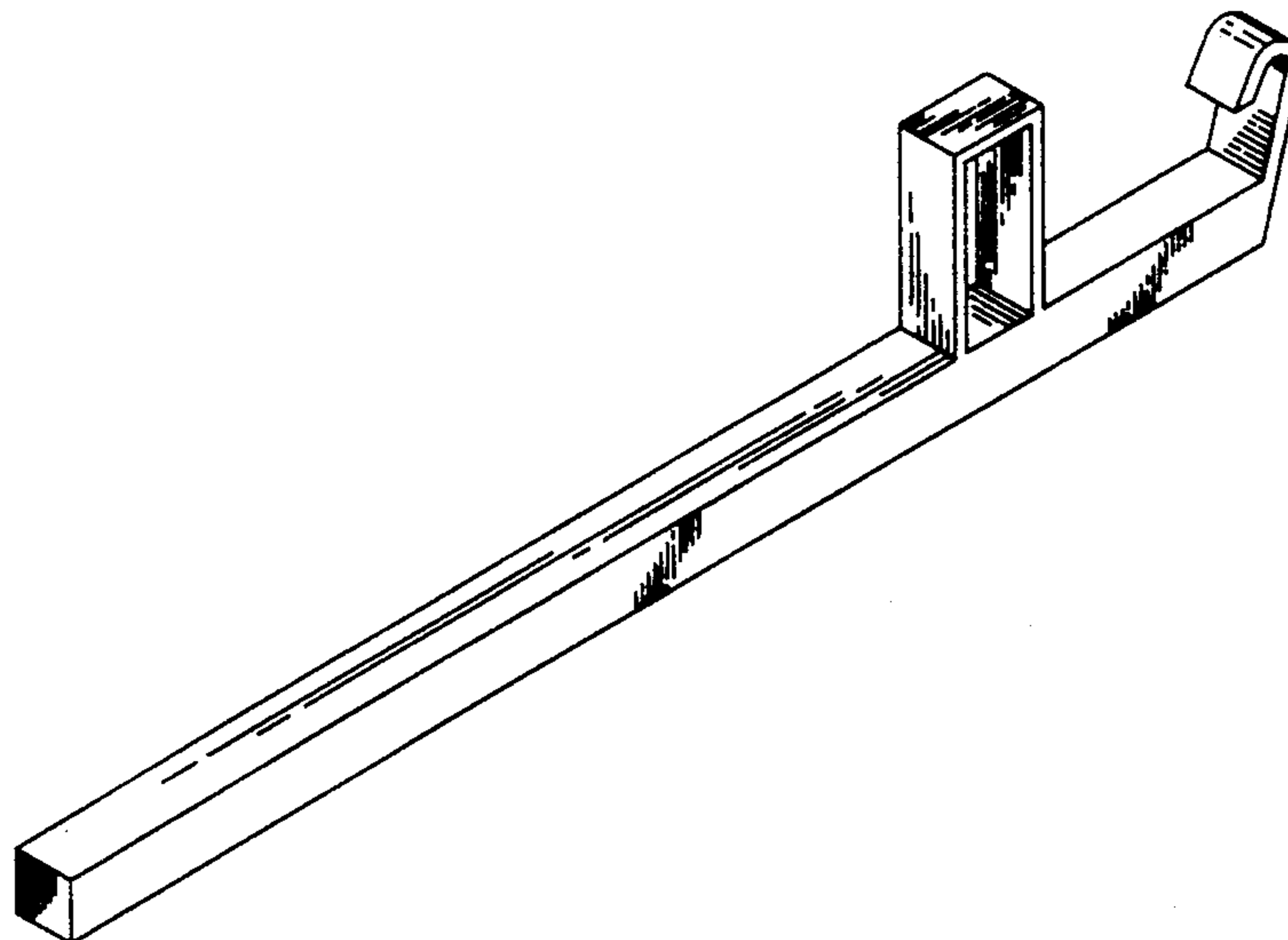
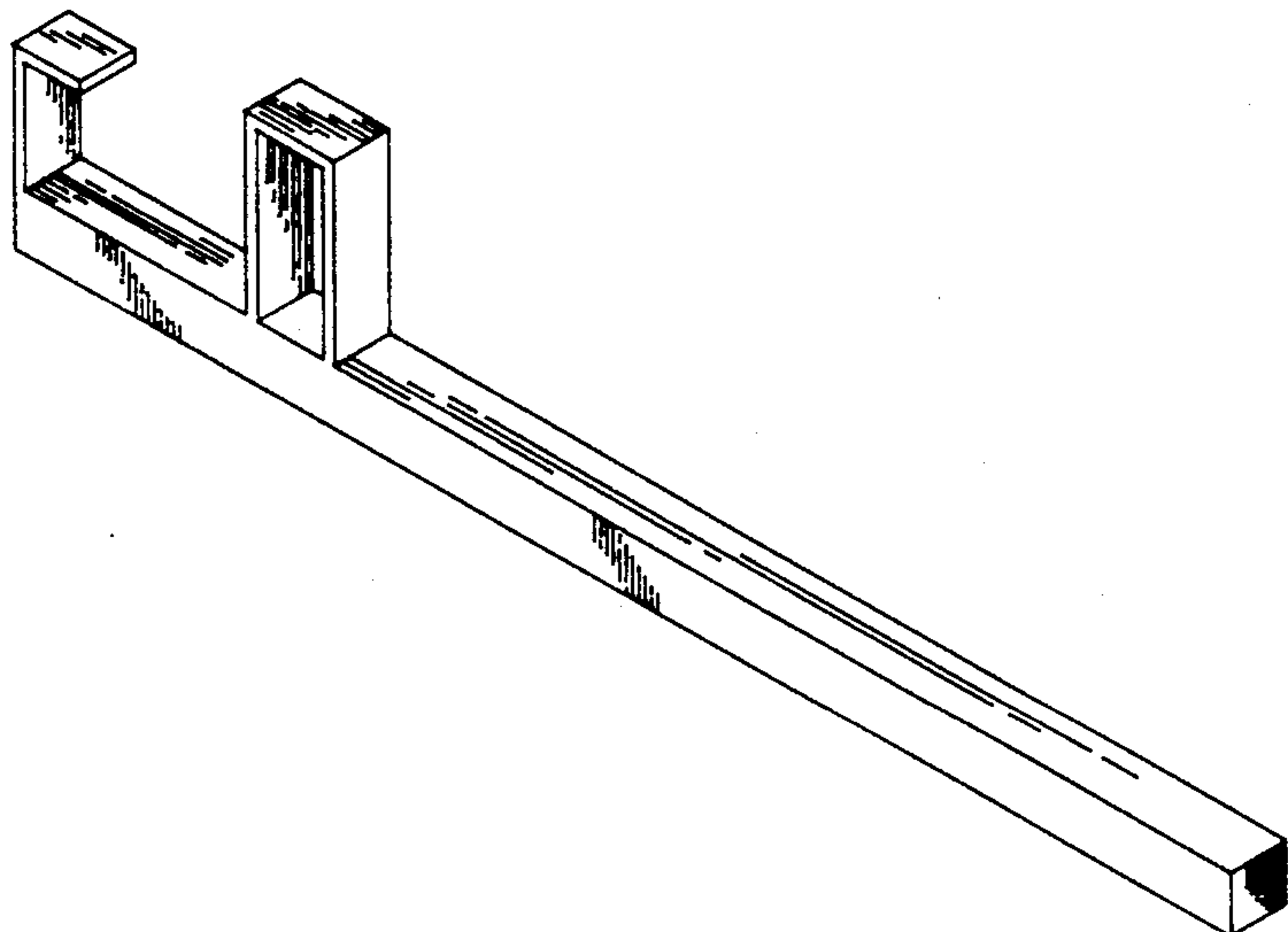
U.S. PATENT DOCUMENTS

FIG. 6 is a front elevational view of FIG. 5, the opposite side being a mirror image;

D. 296,411	6/1988	Madsen et al.	D8/18
941,865	11/1909	Forsyth et al.	D8/18 X
1,877,019	9/1932	Nathan	7/151 X

FIG. 7 is a bottom plan view of FIG. 5; and

FIG. 8 is a fragmentary right side elevational view of FIG. 5.



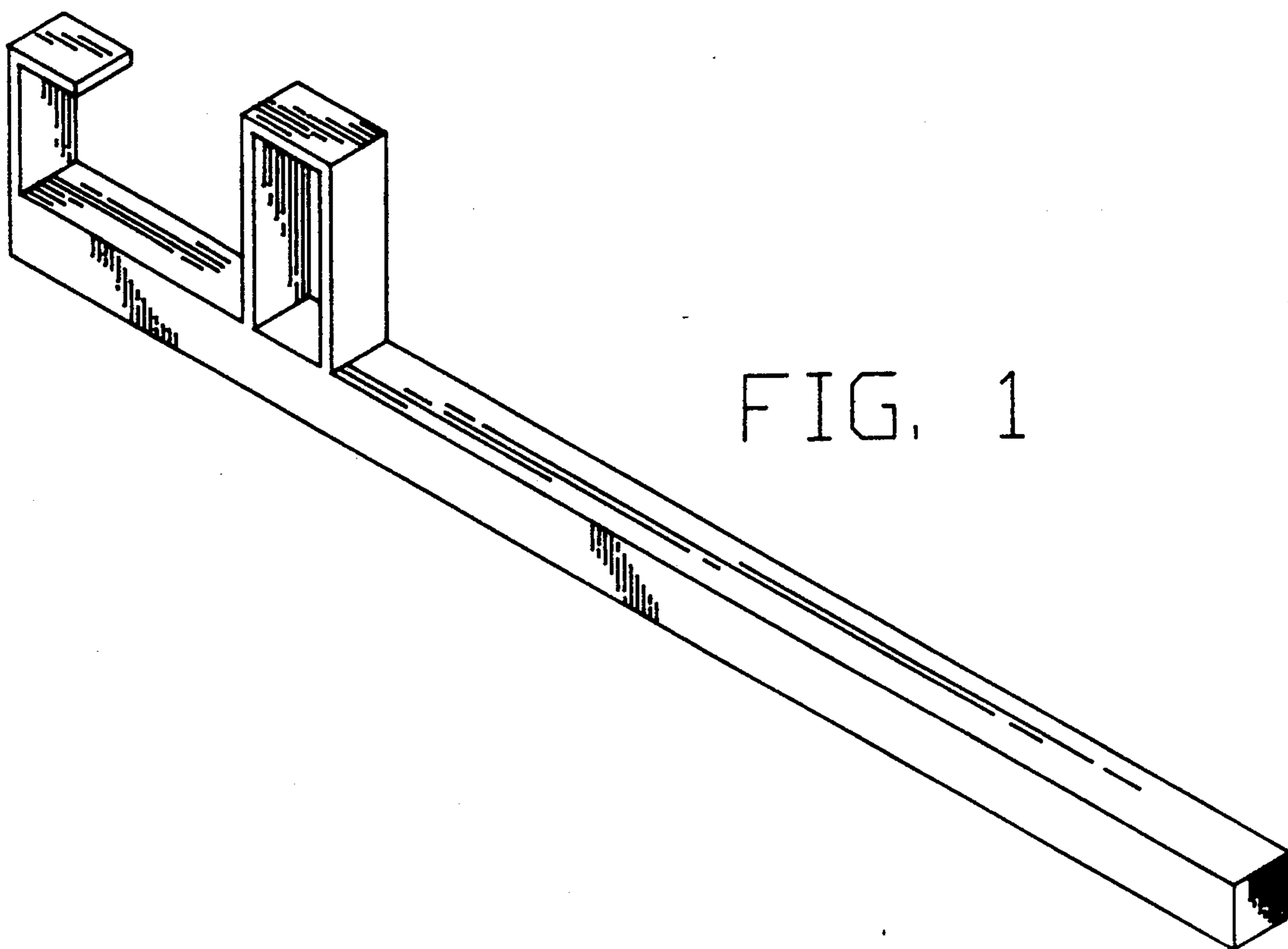


FIG. 1

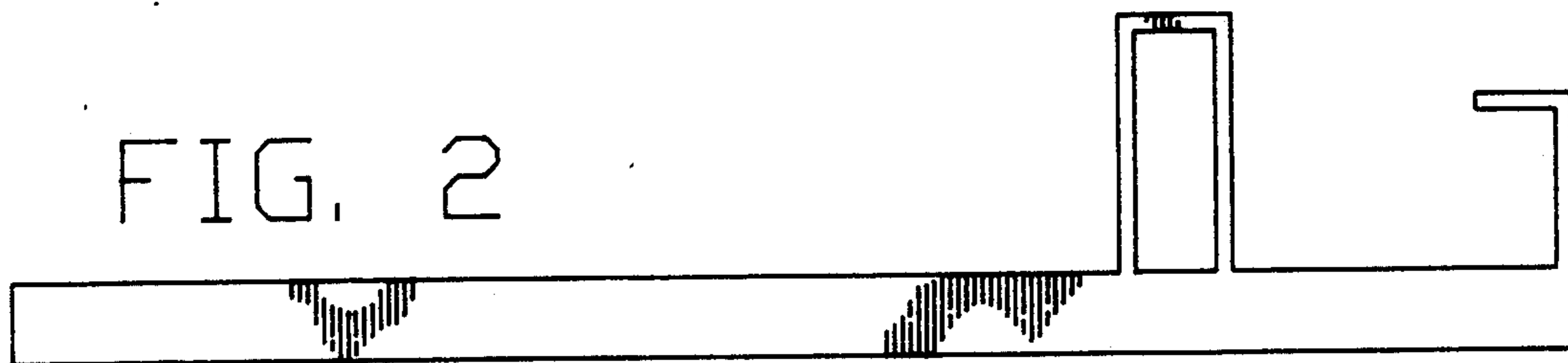


FIG. 2



FIG. 3

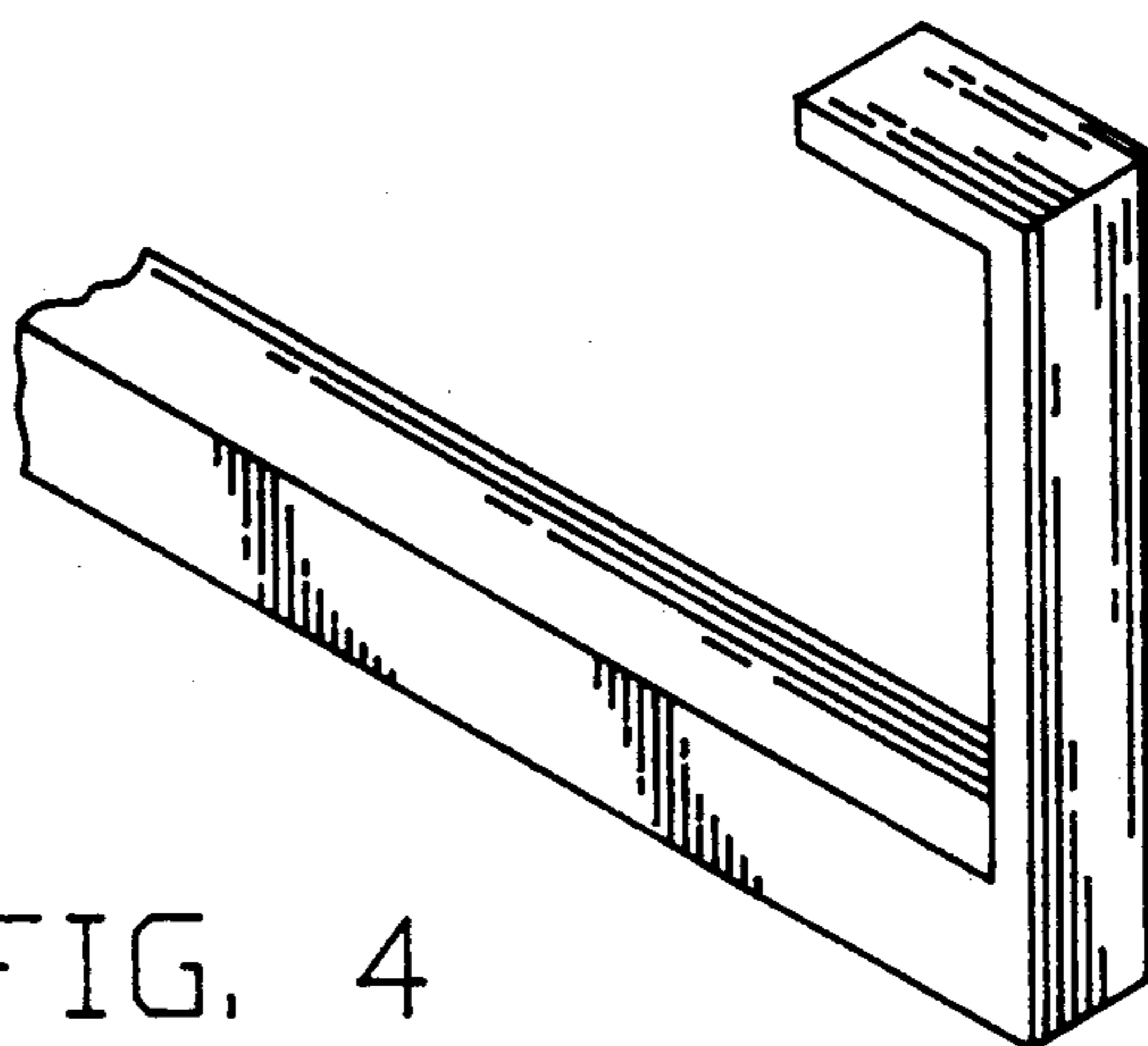


FIG. 4

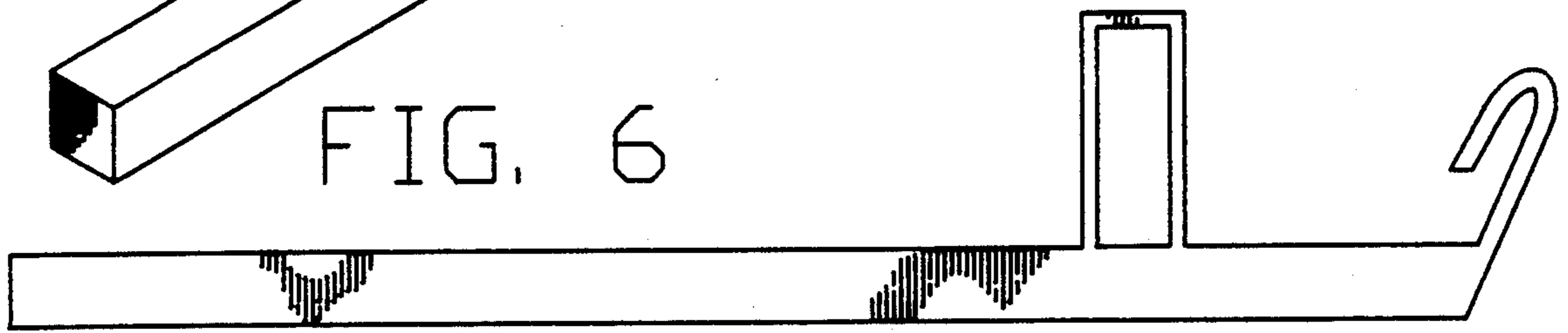
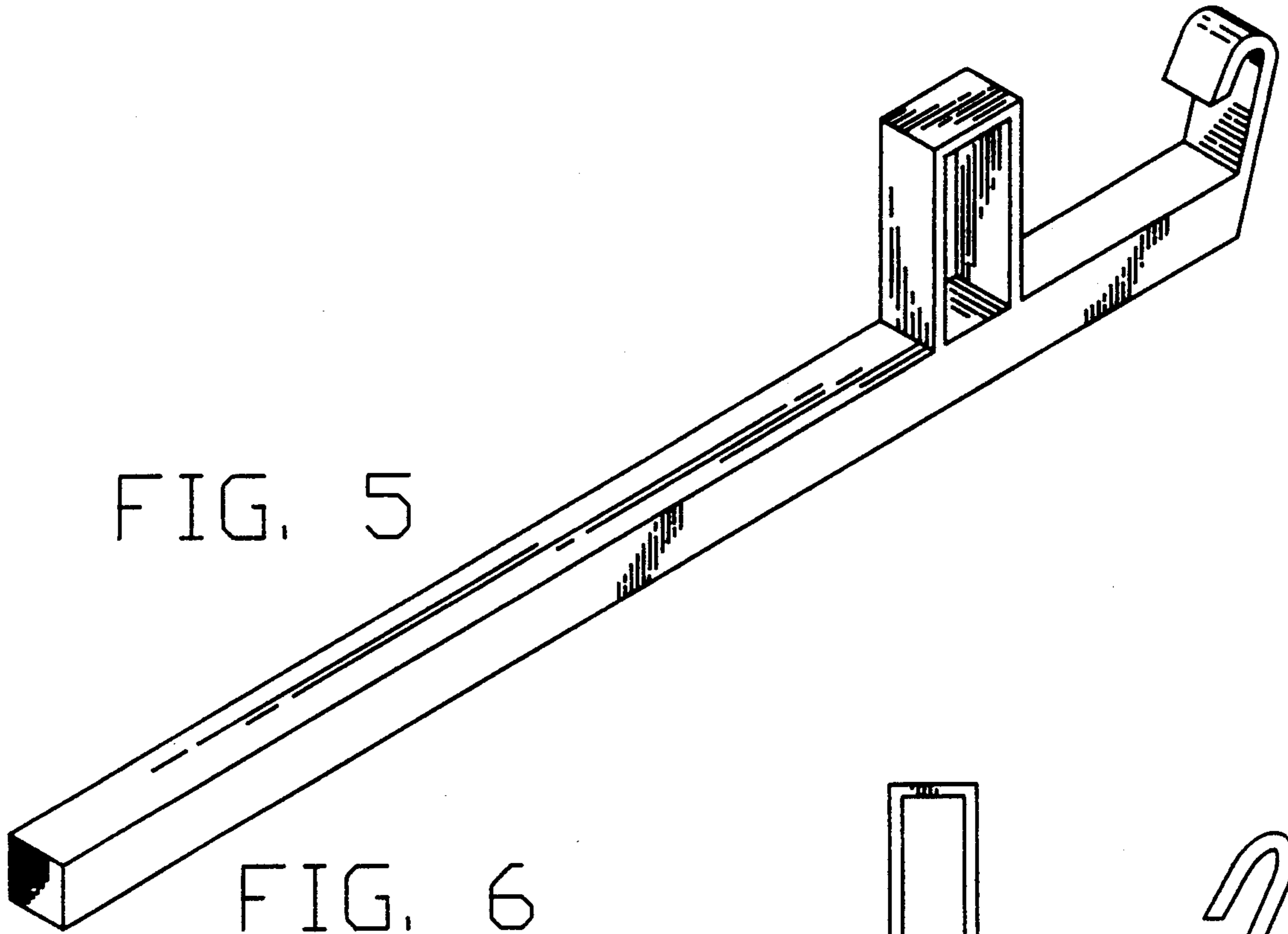


FIG. 7

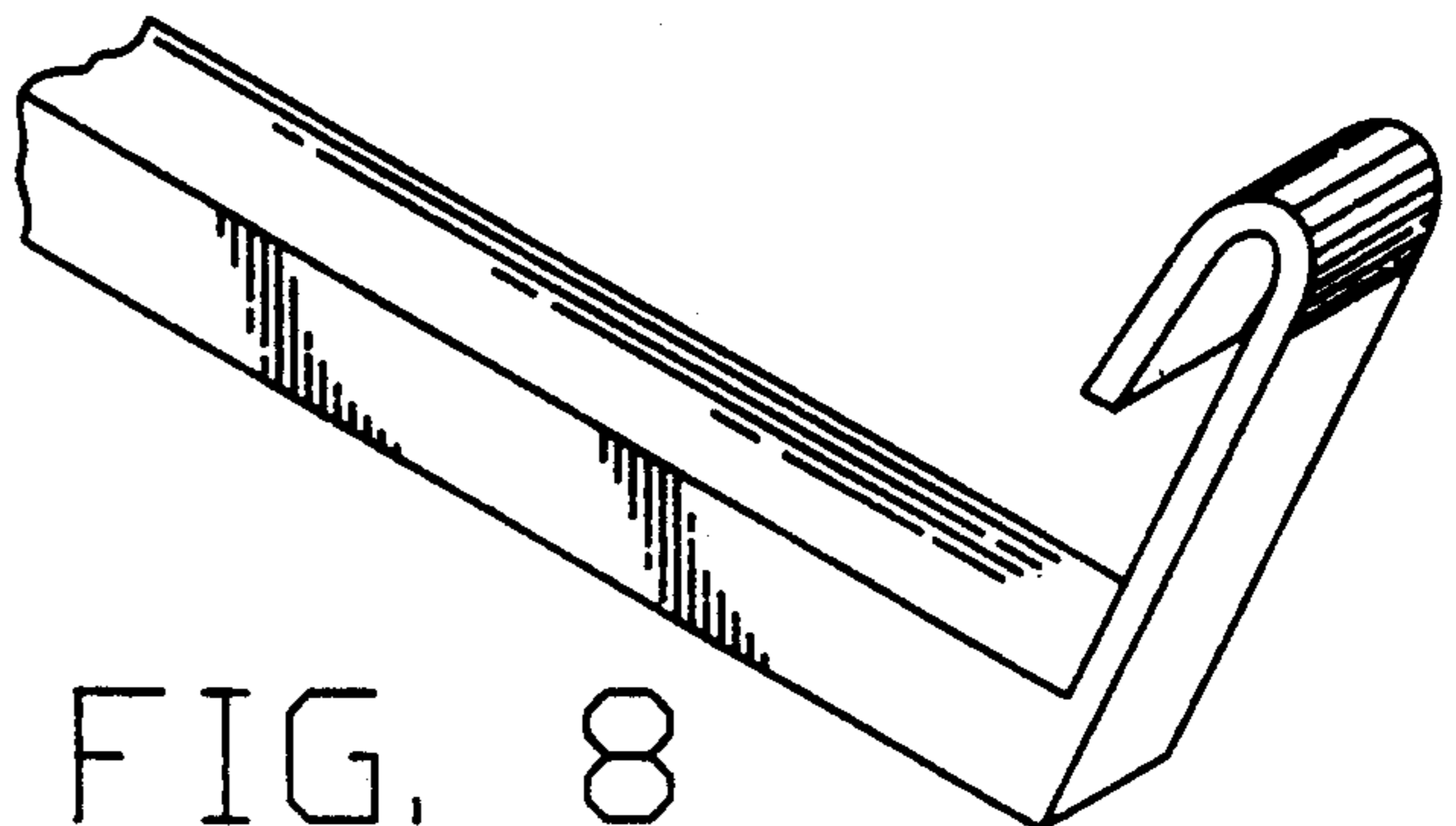


FIG. 8