

[54] **HANDLE SUPPORT ASSEMBLY**
 [75] **Inventor: Gail B. Frankel, Dallas, Tex.**
 [73] **Assignee: Kel-Gar, Inc., Dallas, Tex.**
 [**] **Term: 14 Years**
 [21] **Appl. No.: 360,705**
 [22] **Filed: Jun. 1, 1989**
 [52] **U.S. Cl. D7/620**
 [58] **Field of Search D7/619-625;**
 248/311.2, 313, 214; 220/85 H; 215/100.5, 101;
 211/71, 74, 75; 224/252, 269

3,904,041 9/1975 Medgebow 211/72
 4,203,175 5/1980 Heine 5/503
 4,410,115 10/1983 McClain, Jr. et al. 224/39
 4,436,232 3/1984 Zane et al. 224/39

FOREIGN PATENT DOCUMENTS

1236 of 1892 United Kingdom .

Primary Examiner—Terry A. Pfeffer
Attorney, Agent, or Firm—Johnson & Gibbs

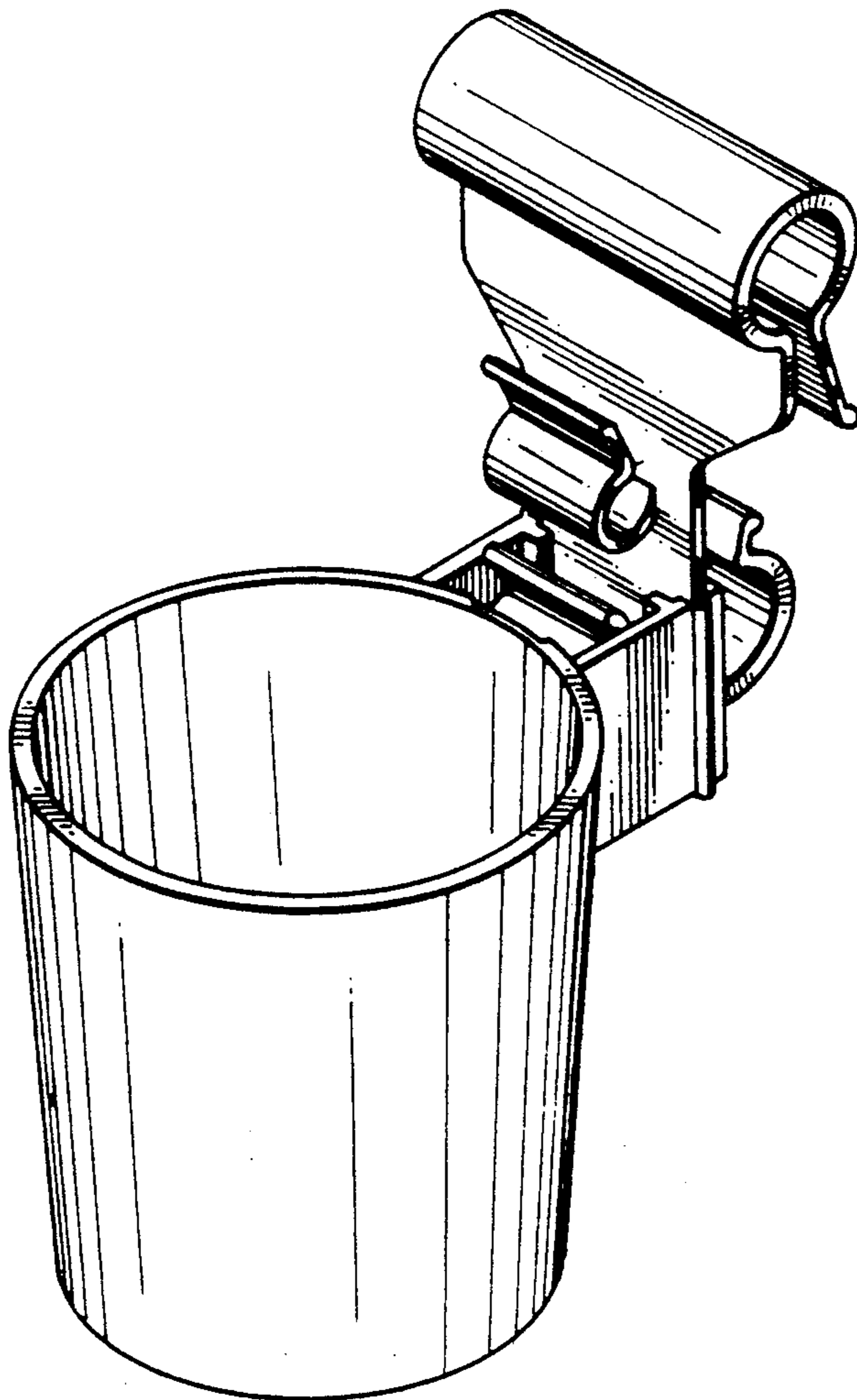
[57] **CLAIM**

The ornamental design for the handle support assembly, as shown and described.

DESCRIPTION

FIG. 1 is perspective view of the handle support assembly showing my new design;
 FIG. 2 is a side elevational view thereof, the opposite side being a mirror image thereof;
 FIG. 3 is a rear elevational view thereof;
 FIG. 4 is a front elevational view thereof;
 FIG. 5 is a top plan view thereof;
 FIG. 6 is a bottom plan view thereof; and
 FIG. 7 is an exploded side elevational view thereof.

[56] **References Cited**
U.S. PATENT DOCUMENTS
 D. 228,304 9/1973 Lerew et al. .
 D. 228,335 9/1973 Jackson D7/70
 1,069,160 8/1913 Meltz .
 2,437,331 3/1948 Murray et al. 224/7
 2,461,071 2/1949 Mettenleiter 248/227
 2,506,119 5/1950 Tregear 248/200
 3,036,717 5/1962 Johnson D7/620 X
 3,603,549 9/1971 Brilando et al. 248/230



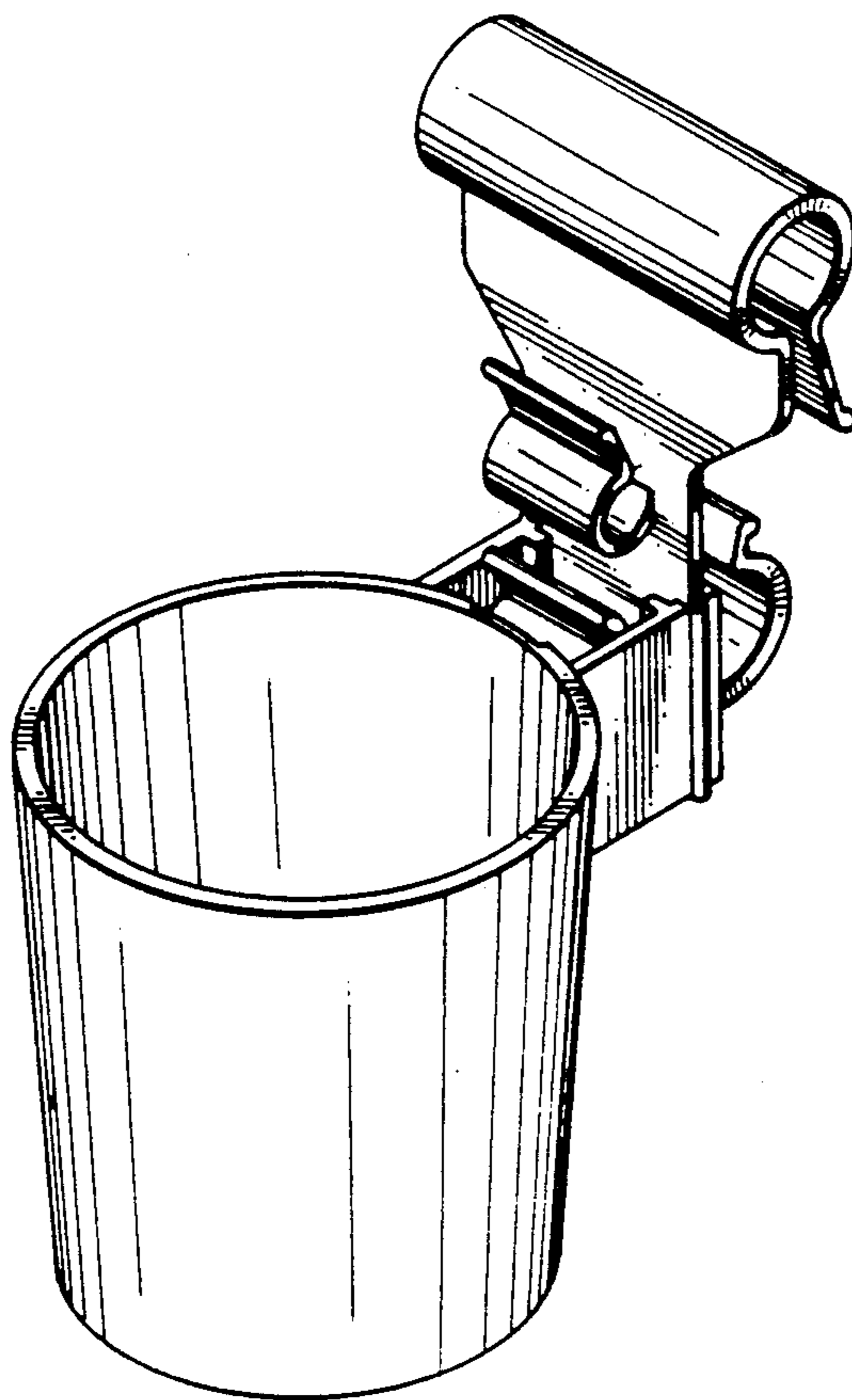


FIG. 1

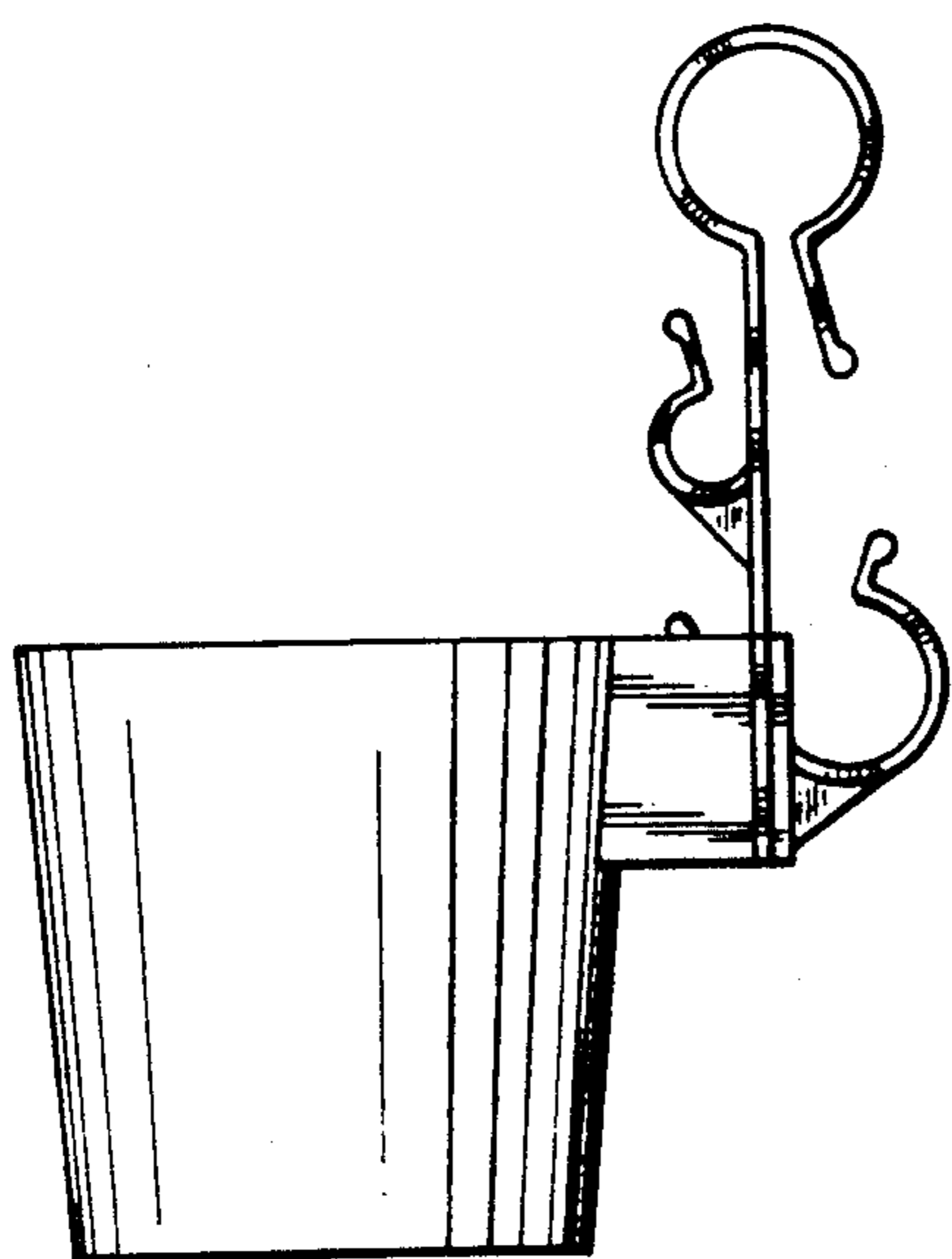


FIG. 2

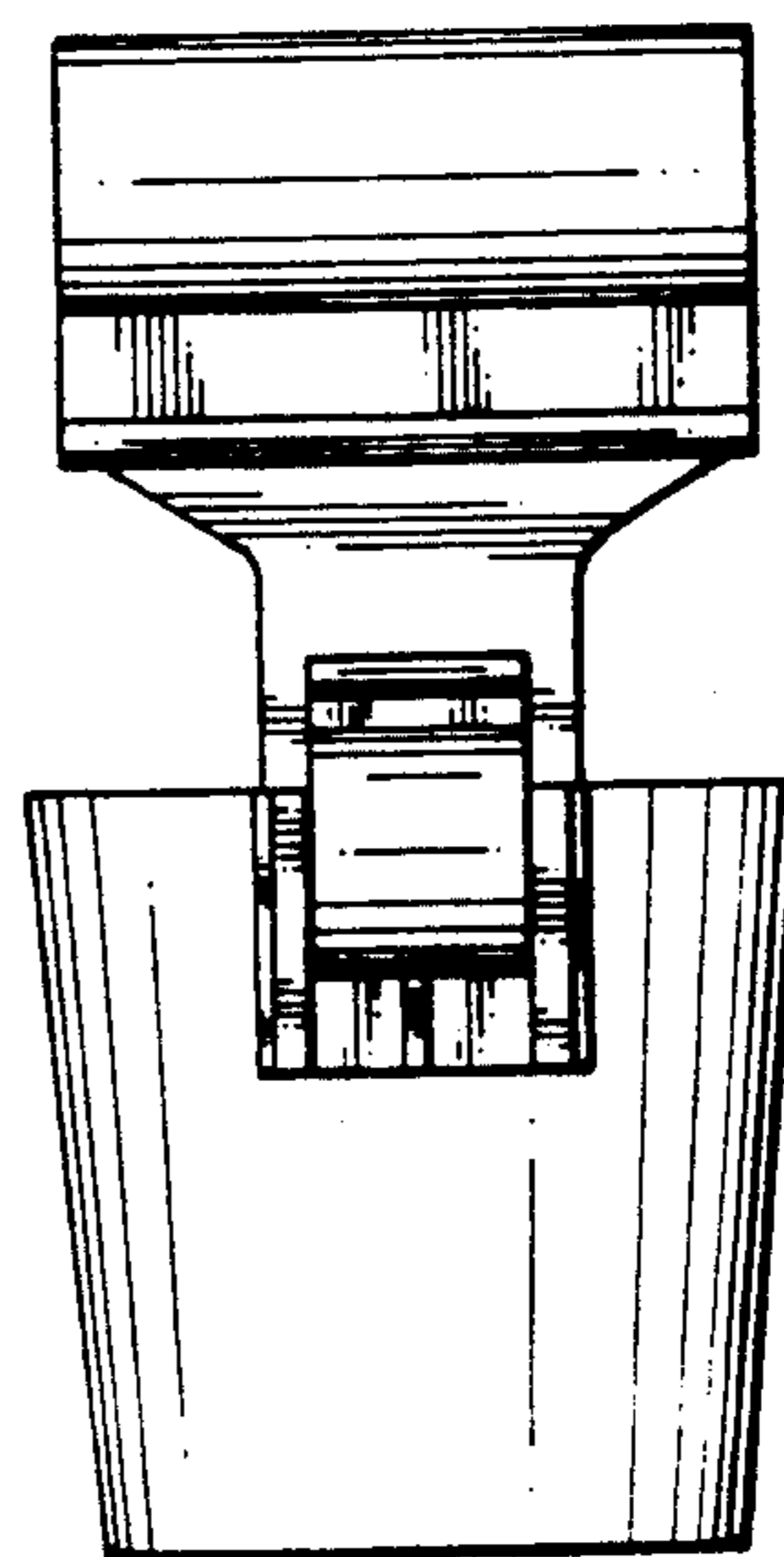


FIG. 3

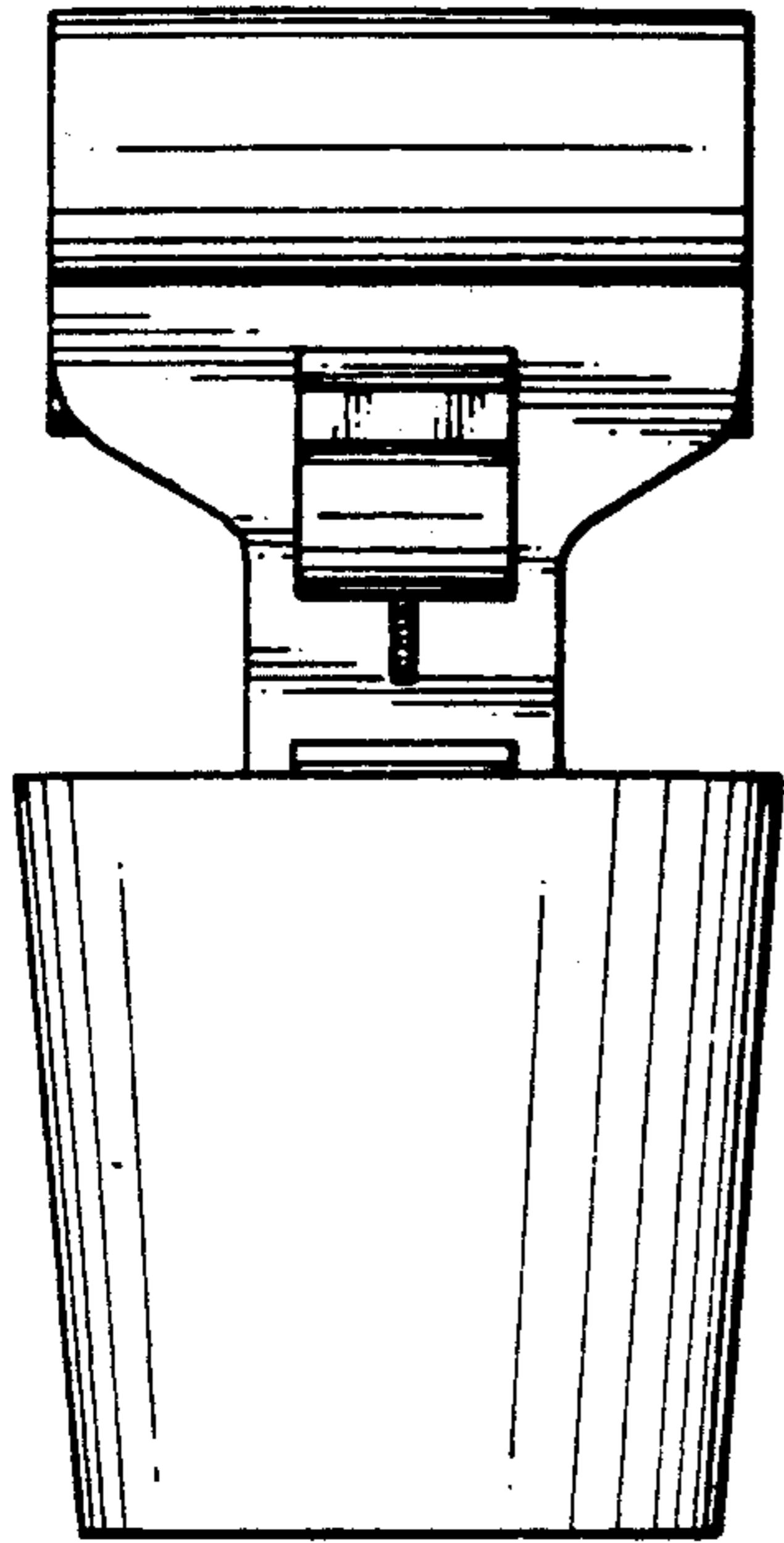


FIG. 4

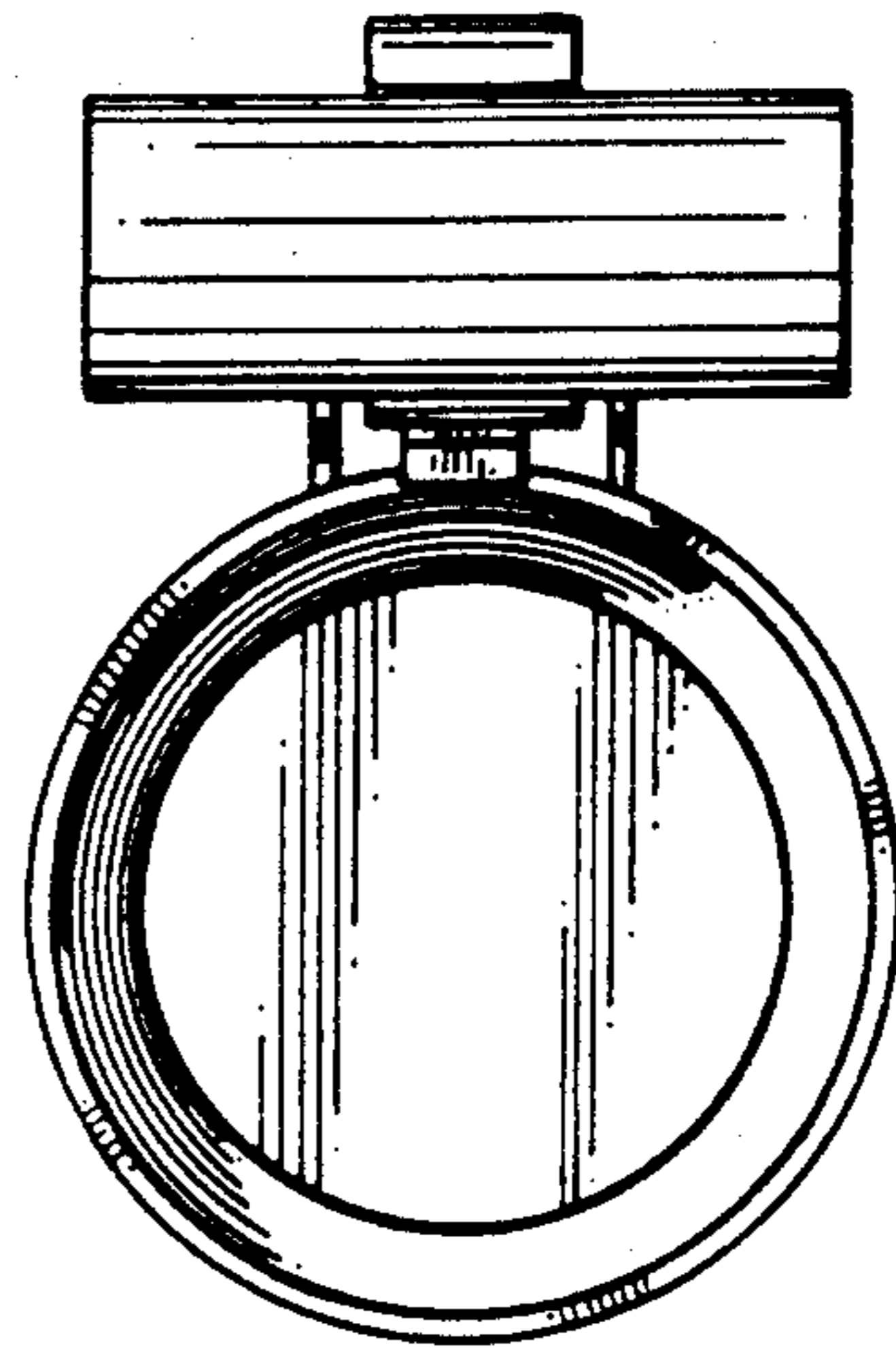


FIG. 5

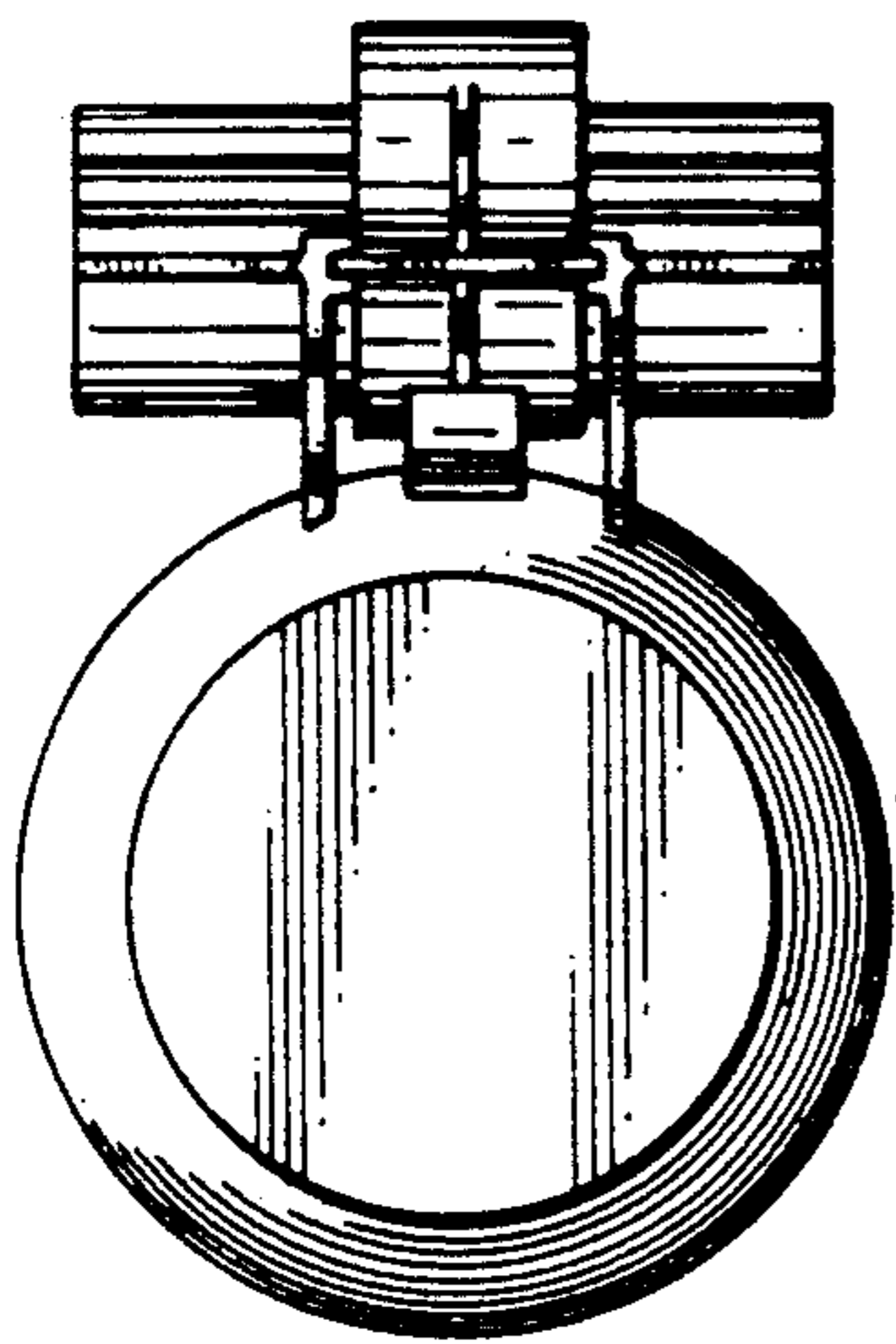


FIG. 6

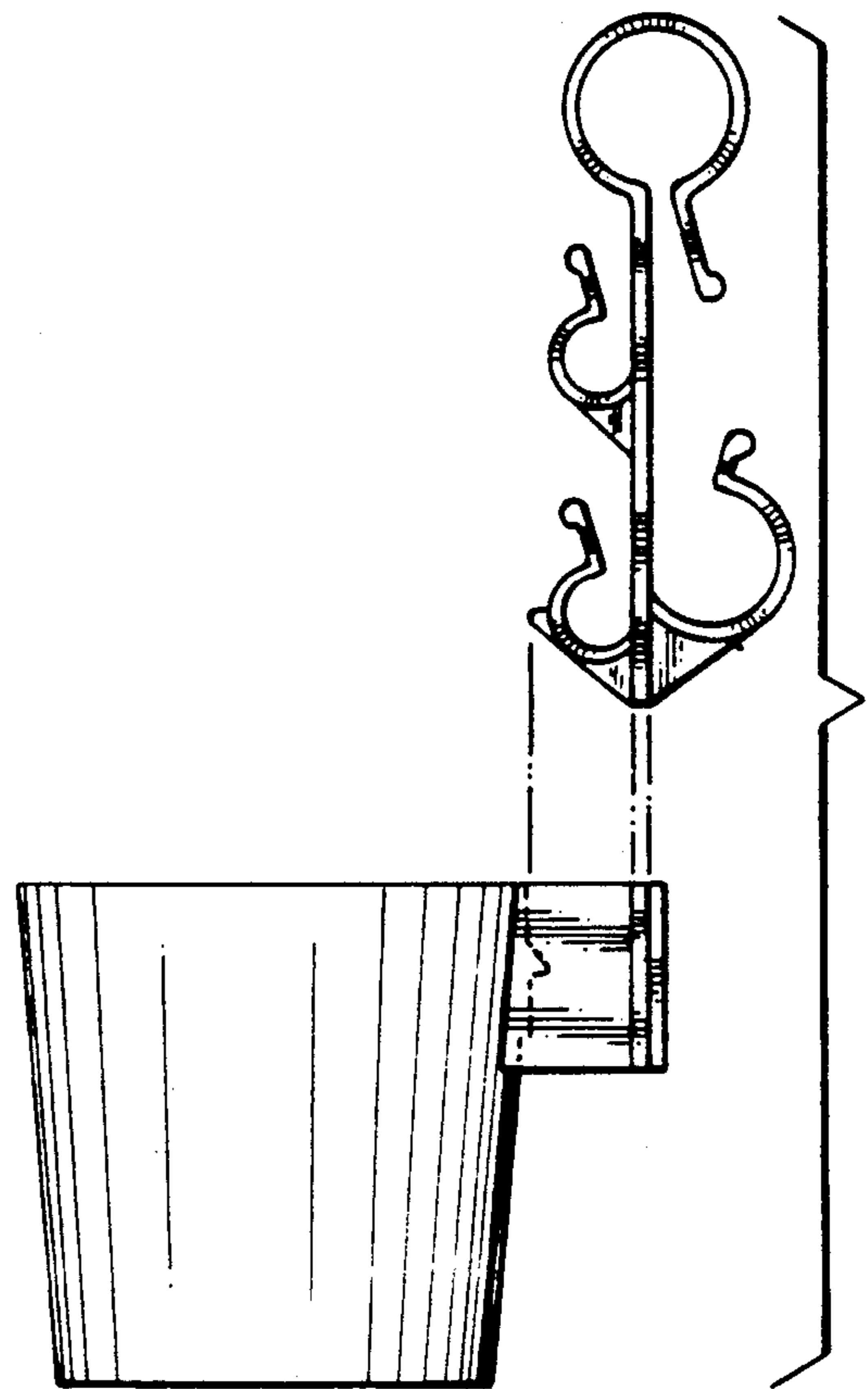


FIG. 7