

[54] ATTACHMENT FOR DOMESTIC FOOD MIXER

[76] Inventor: Jean-Louis Barrault, 102, rue du Chateau, F-92100 Boulogne-Billancourt, France

[**] Term: 14 Years

[21] Appl. No.: 215,590

[22] Filed: Jul. 5, 1988

[30] Foreign Application Priority Data

Jan. 6, 1988 [FR] France 880049
[52] U.S. Cl. D7/412; D7/415
[58] Field of Search D7/379, 380, 414, 415, D7/372, 378; 241/169.1, 93

[56] References Cited

U.S. PATENT DOCUMENTS

D. 271,176 11/1983 Zimnowicz D7/379
1,816,046 7/1931 Johannes D7/380

FOREIGN PATENT DOCUMENTS

932505 7/1963 United Kingdom 241/169.1

OTHER PUBLICATIONS

W. Bell & Co., 1985 Catalog, p. 375, item #1, "Moulinex/Regal Supermix Immersion Blender".

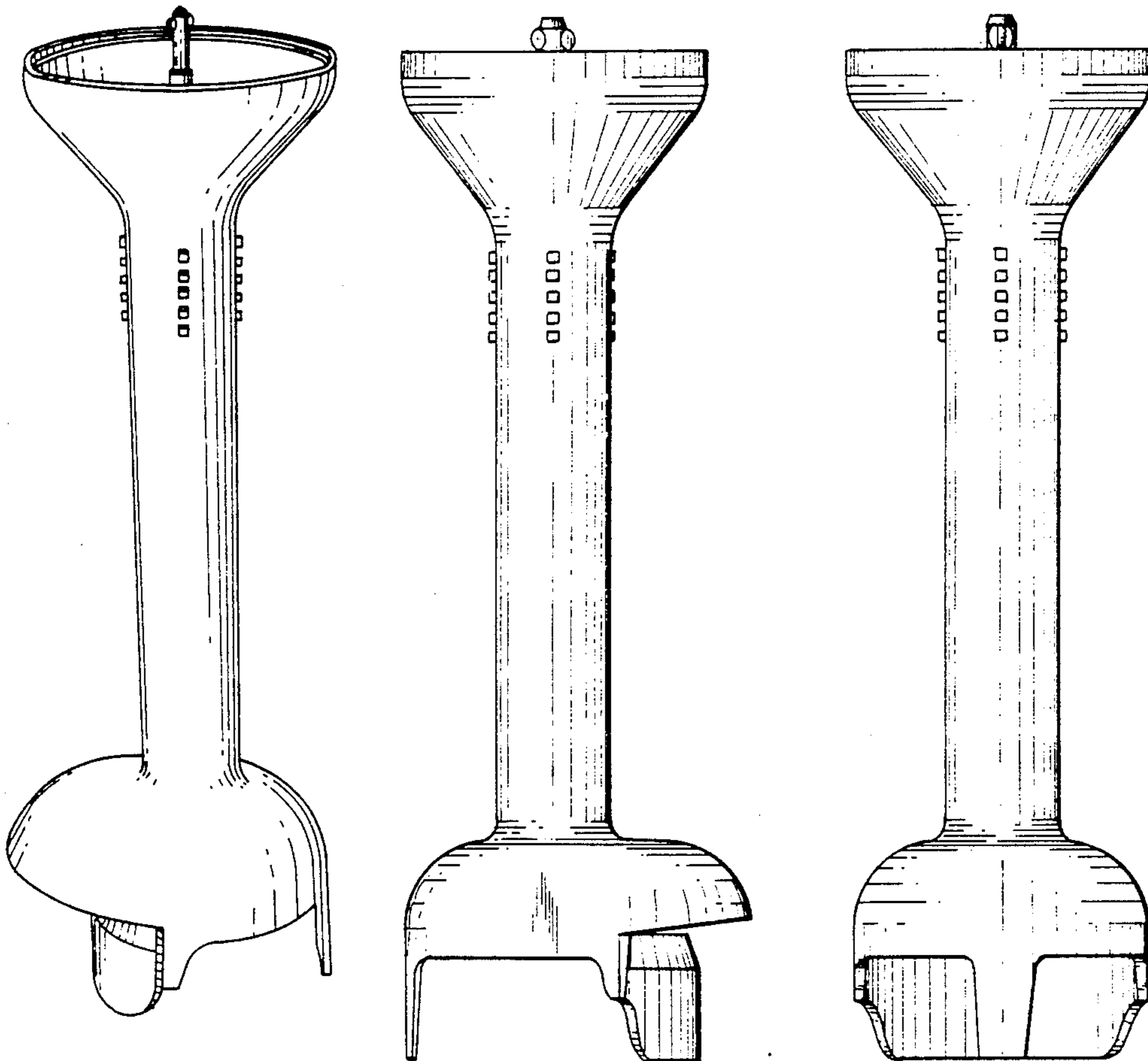
Primary Examiner—Winifred E. Herrmann
Attorney, Agent, or Firm—Young & Thompson

[57] CLAIM

The ornamental design for an attachment for domestic food mixer, as shown.

DESCRIPTION

FIG. 1 is a top and side perspective view of an attachment for domestic food mixer showing my new design; FIG. 2 is a side perspective view thereof from the side opposite that shown in FIG. 1; FIG. 3 is a side perspective view thereof from the left of FIG. 2; FIG. 4 is a side perspective view thereof from the right of FIG. 2; FIG. 5 is a top plan view thereof on an enlarged scale; FIG. 6 is a bottom plan view thereof on an enlarged scale; FIG. 7 is a side elevational view thereof; FIG. 8 is a side elevational view thereof from the left to FIG. 7; and FIG. 9 is a side elevational view thereof from the right of FIG. 7.



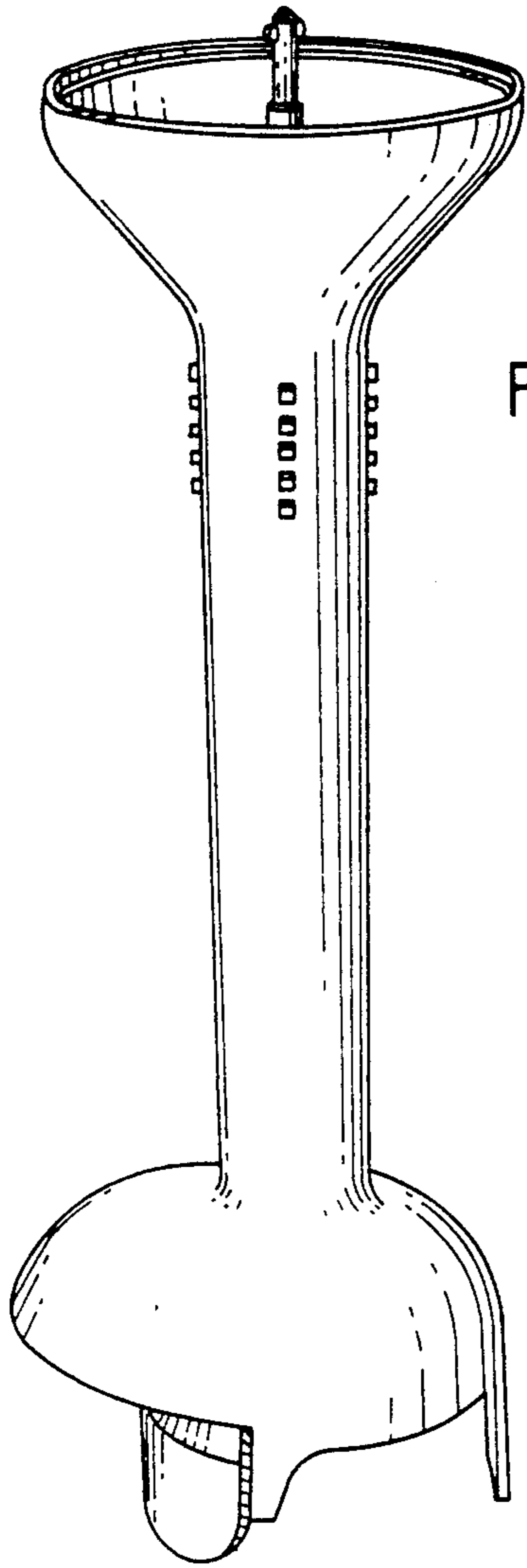


FIG. 1

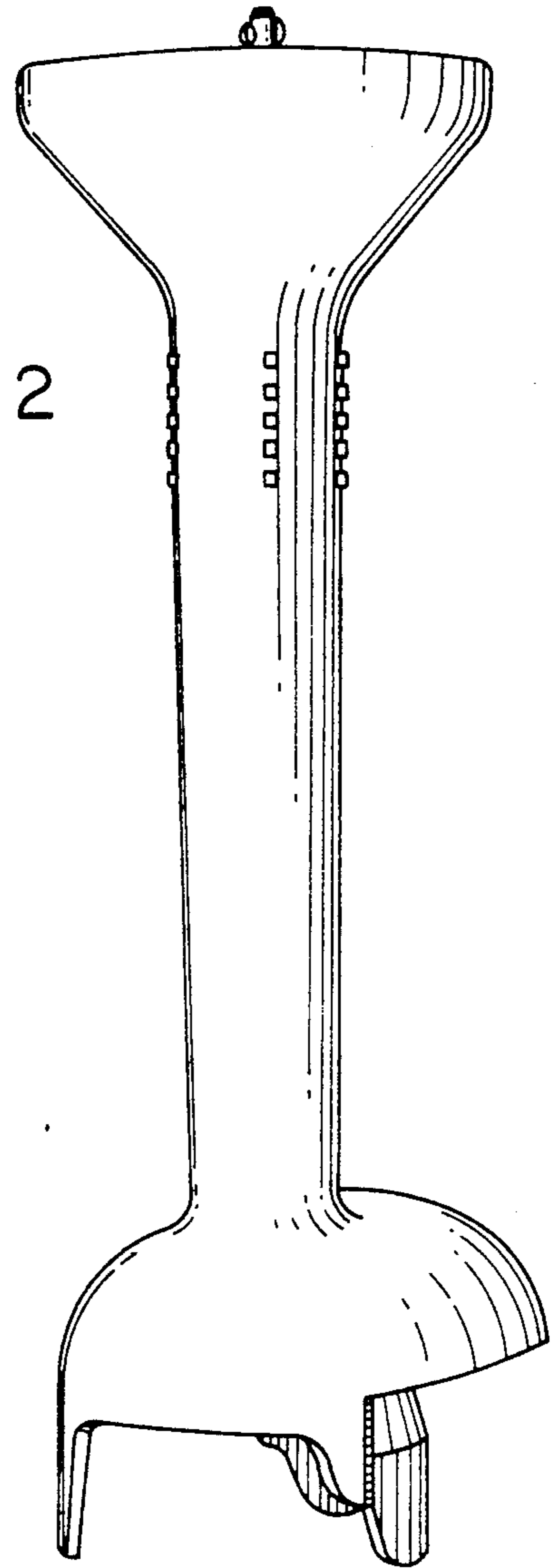
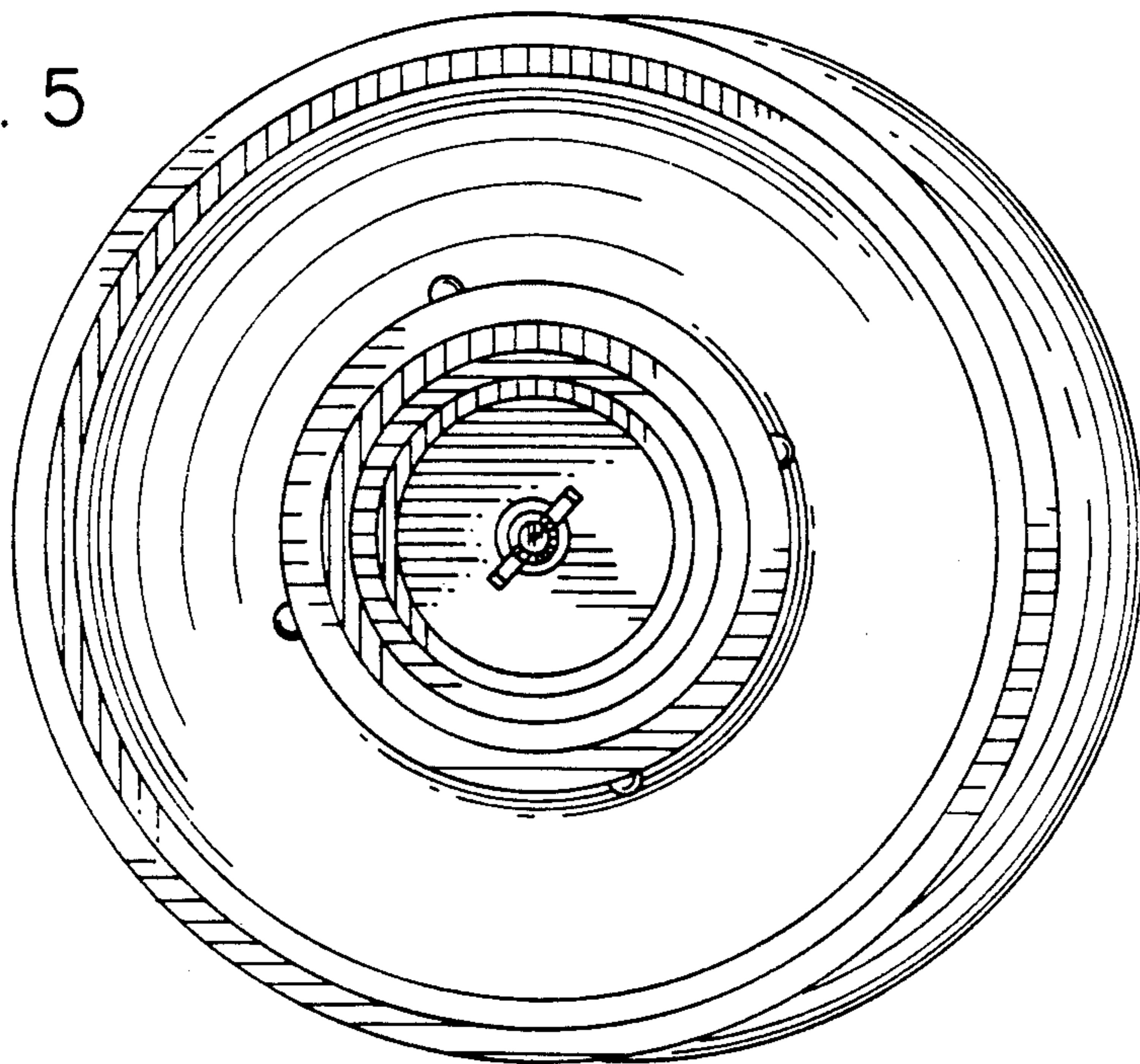
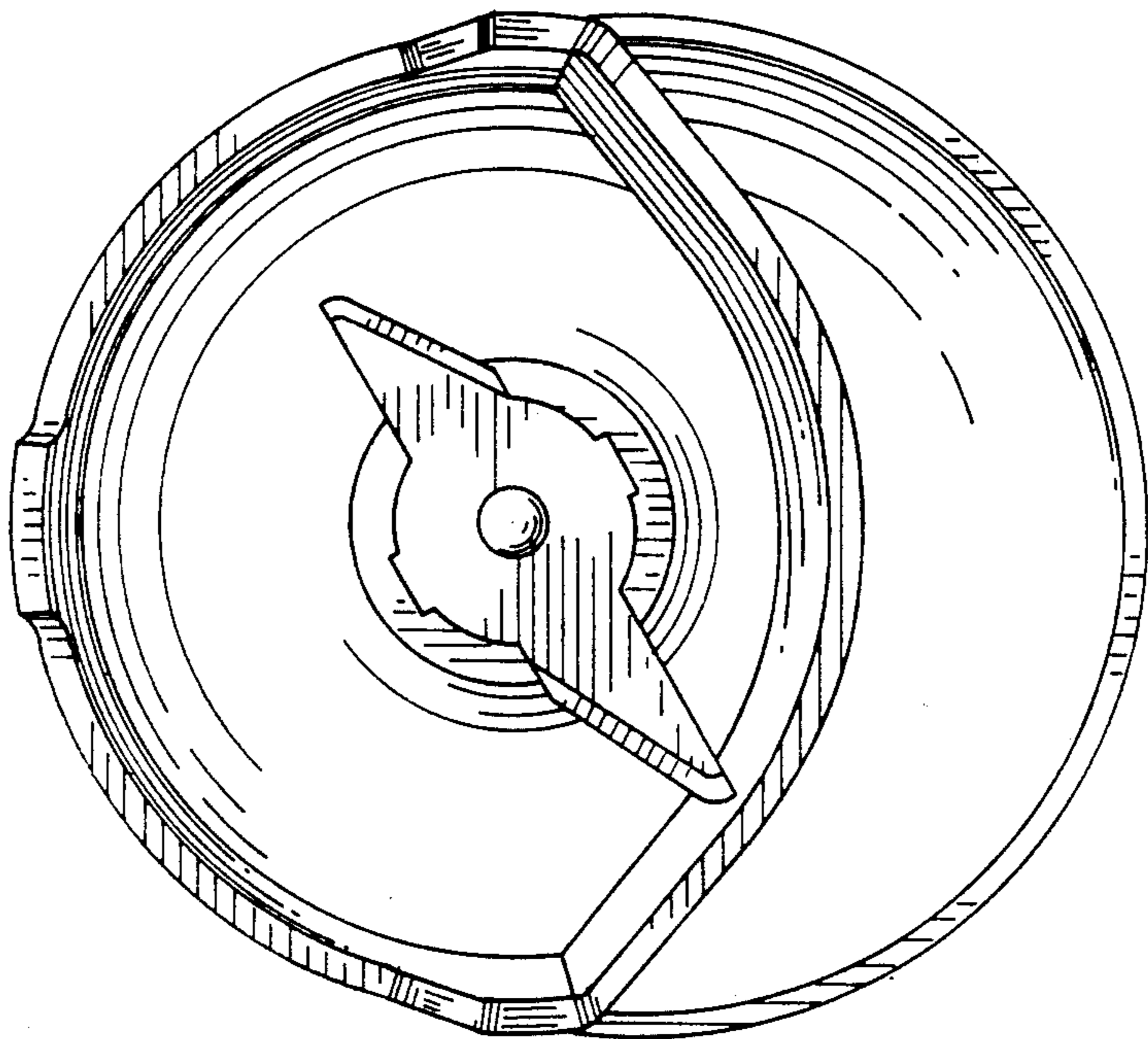
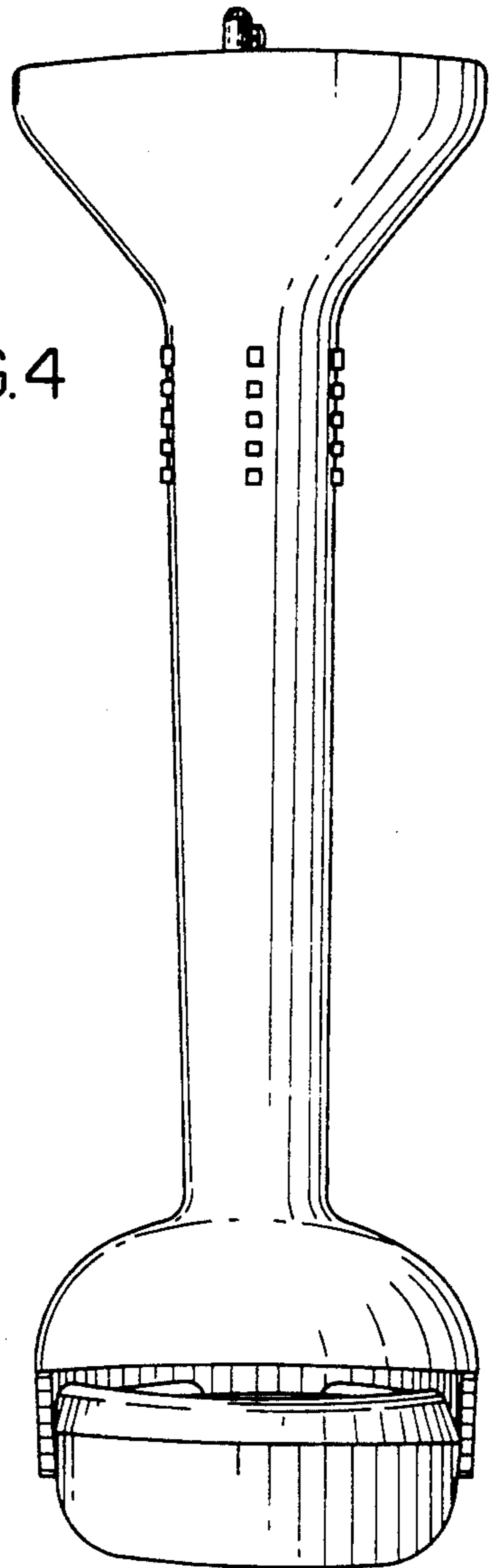
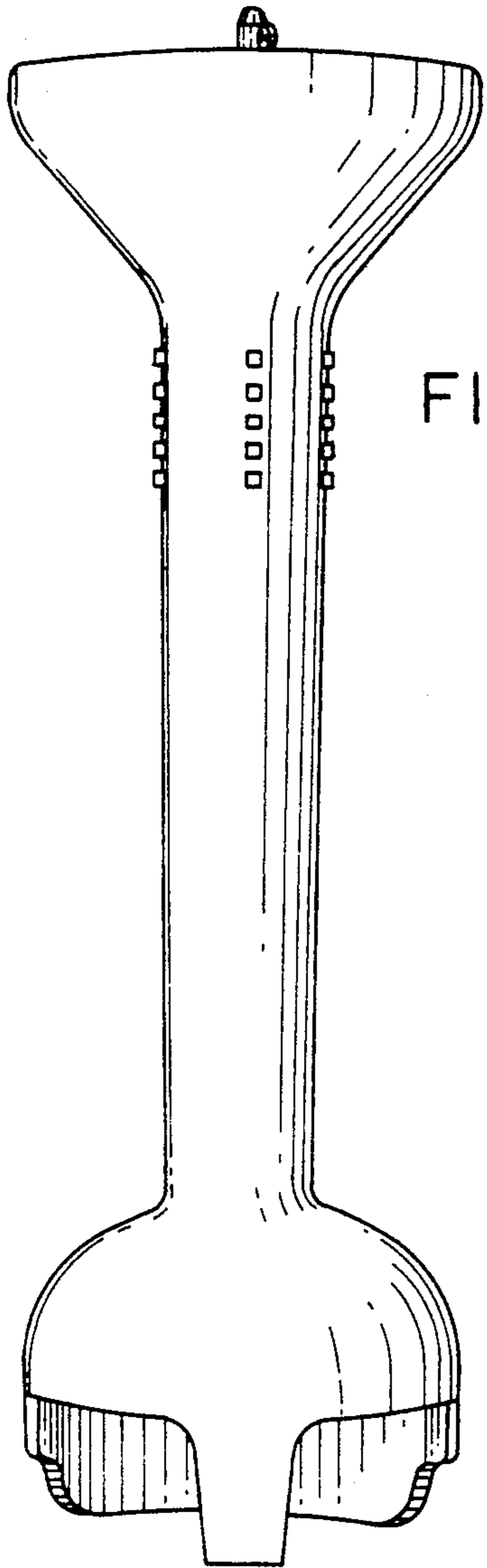


FIG. 2

FIG. 5





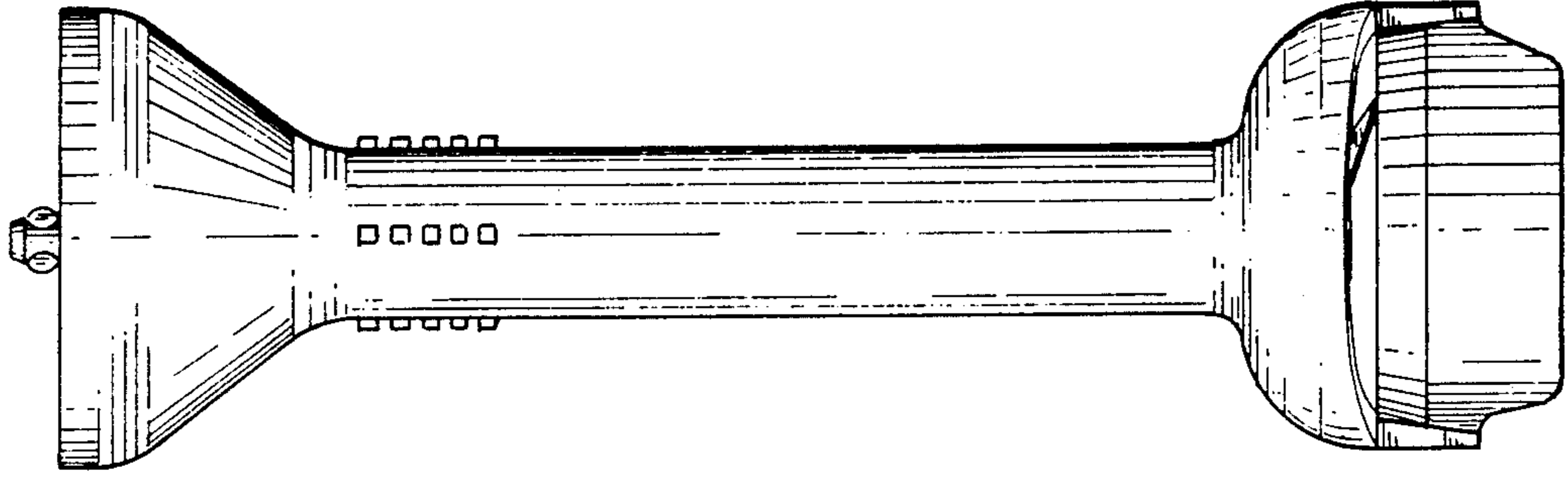


FIG. 9

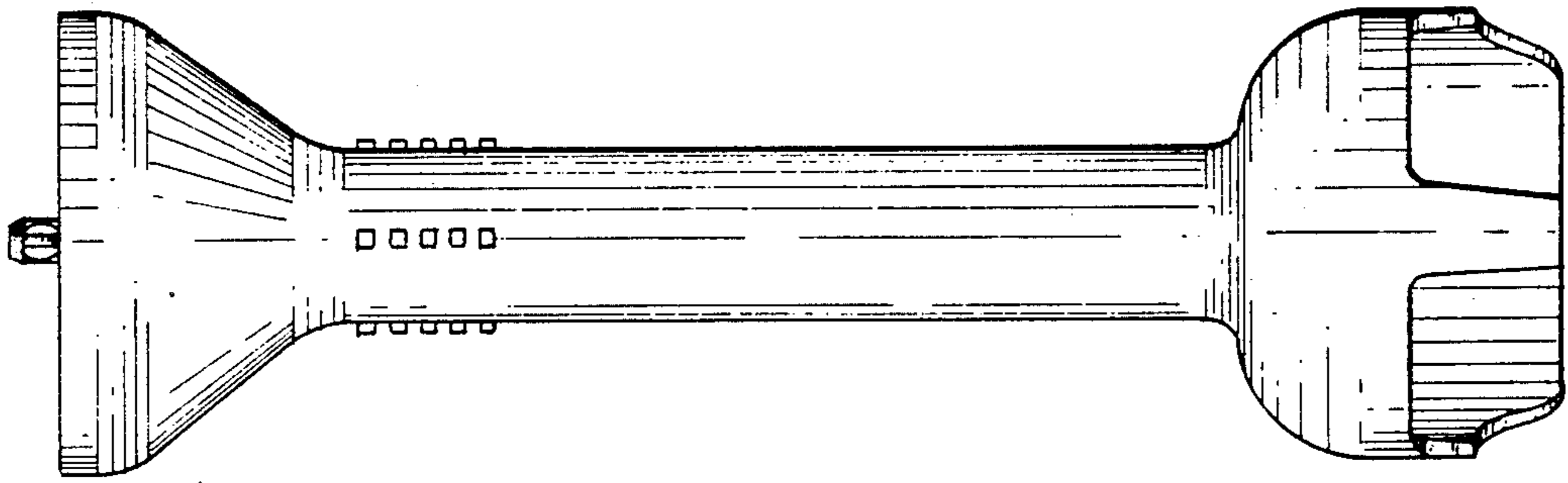


FIG. 8

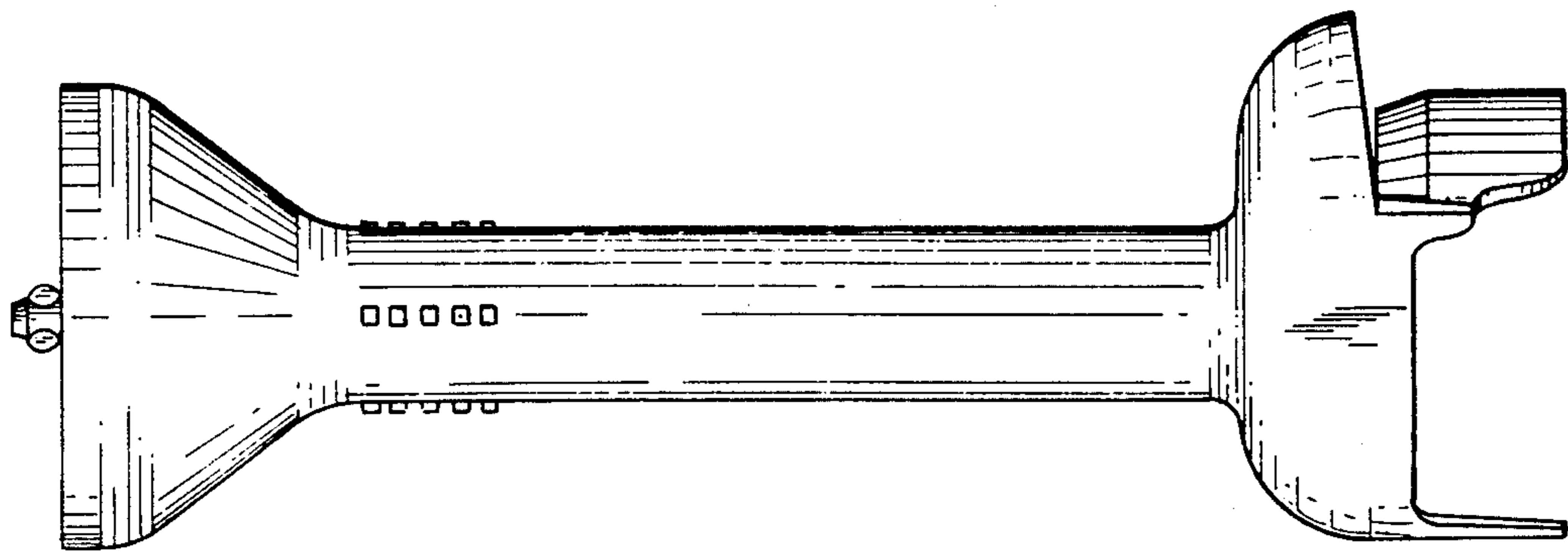


FIG. 7