

[54] TOASTER

D. 307,999 5/1990 Kahlcke D7/330
3,575,102 4/1971 Parr D7/330 X

[75] Inventor: Lutz Gebhardt, Darmstadt, Fed. Rep. of Germany

[73] Assignee: Rowenta-Werke GmbH, Offenbach am Main, Fed. Rep. of Germany

[**] Term: 14 Years

[21] Appl. No.: 239,412

[22] Filed: Sep. 1, 1988

[30] Foreign Application Priority Data

Mar. 15, 1988 [DE] Fed. Rep. of Germany ... 5MR10823

[52] U.S. Cl. D7/330

[58] Field of Search 99/388, 389, 391, 385, 99/327, 331; D7/328, 330, 329, 323, 331

[56] References Cited

U.S. PATENT DOCUMENTS

- D. 127,814 6/1941 Reinecke et al. D7/330
- D. 154,535 7/1949 Epstein D7/328
- D. 287,808 1/1987 Stutzer et al. D7/330
- D. 304,661 11/1989 Van Asten D7/330

OTHER PUBLICATIONS

W. Bell & Co. 1987 Catalog, ©1986, p. 306, item #4, "Maxim Wide-Mouth Toaster"—middle row left toaster.

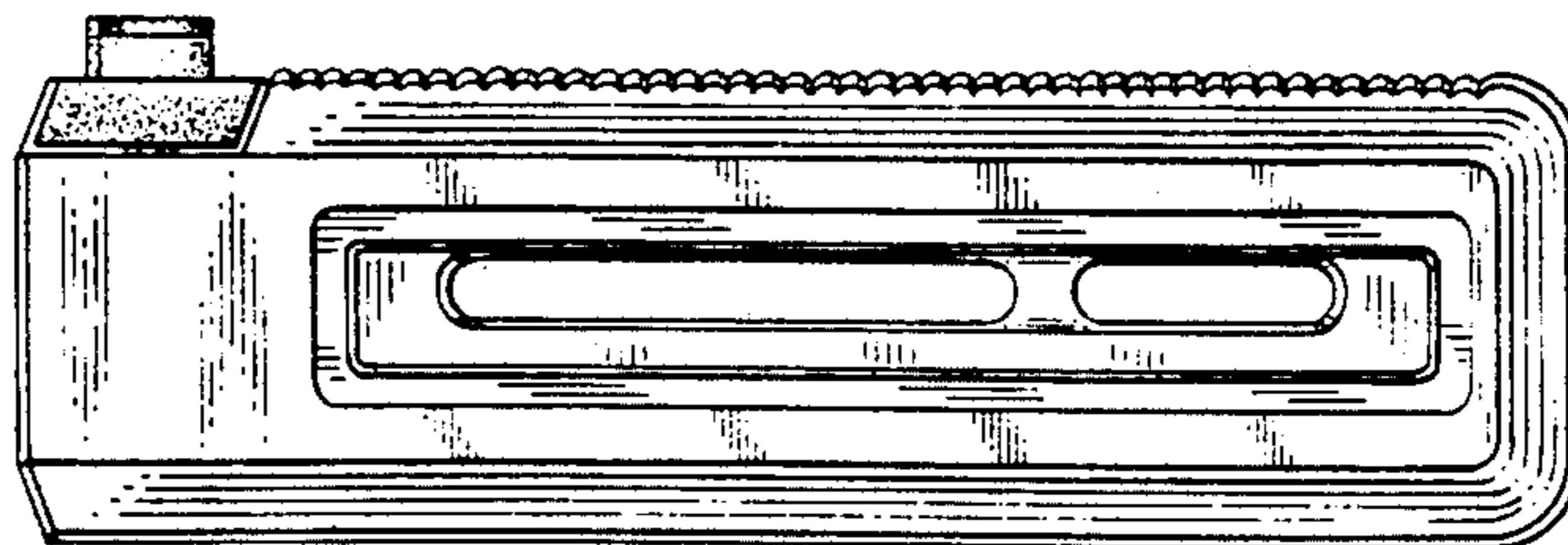
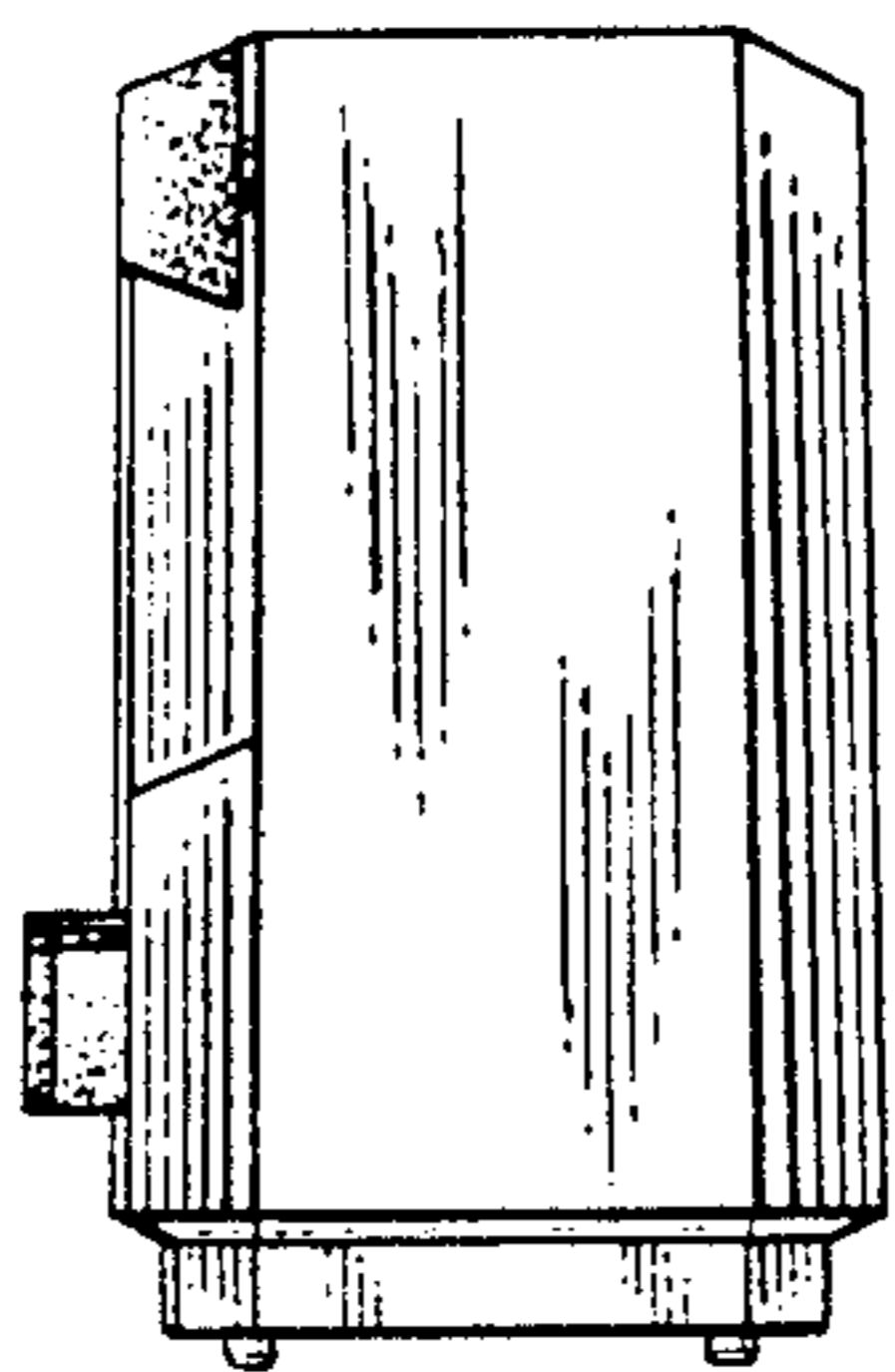
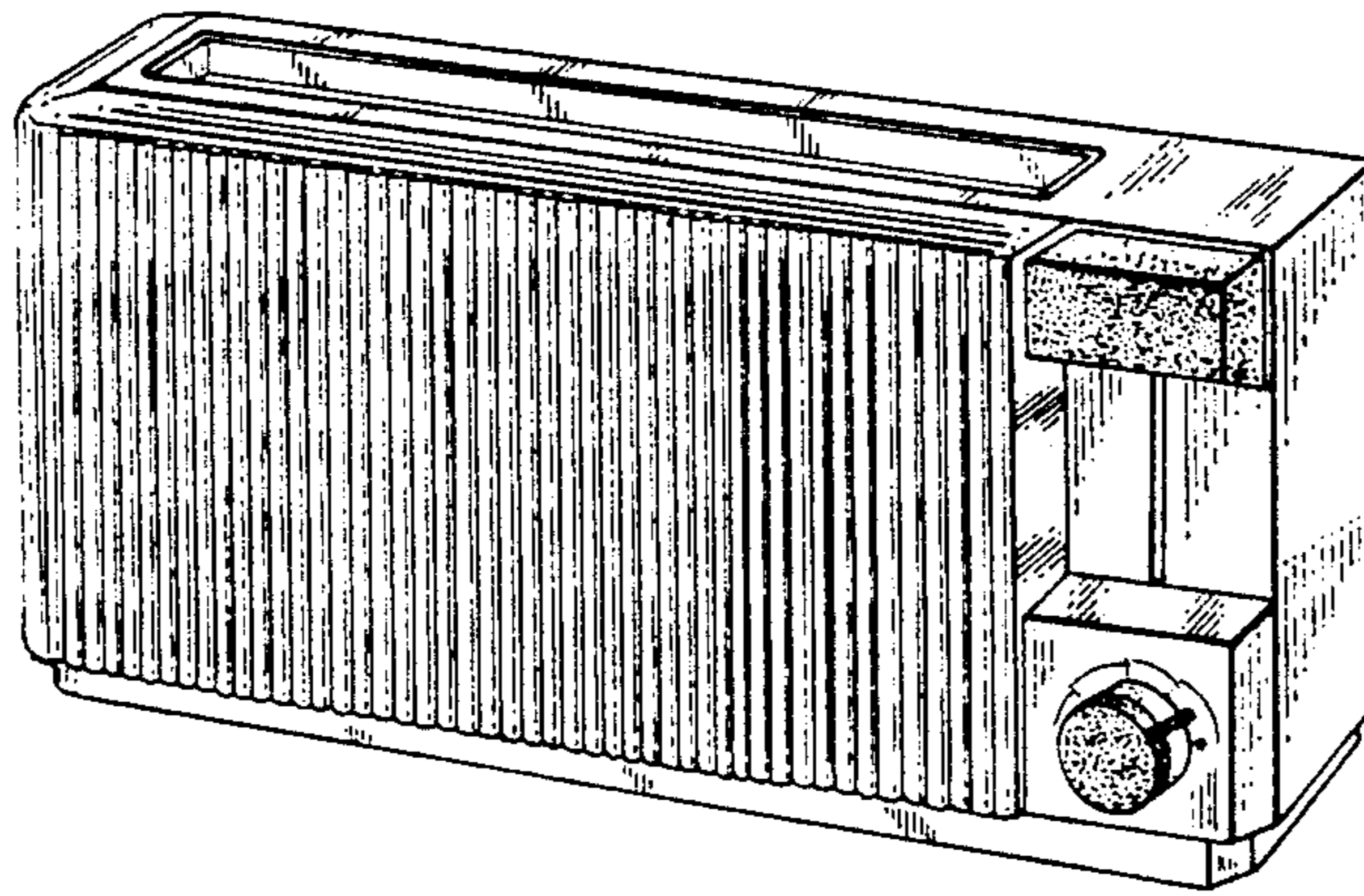
Primary Examiner—Winifred E. Herrmann
Attorney, Agent, or Firm—Toren, McGeady & Associates

CLAIM

[57] The ornamental design for a toaster, as shown.

DESCRIPTION

FIG. 1 is a top, front, and right side perspective view of a toaster showing my new design; FIG. 2 is a top, rear, and left side perspective view; FIG. 3 is a right side elevational view; FIG. 4 is a left side elevational view; FIG. 5 is a front elevational view; FIG. 6 is a rear elevational view; FIG. 7 is a top plan view; and FIG. 8 is a bottom plan view thereof.



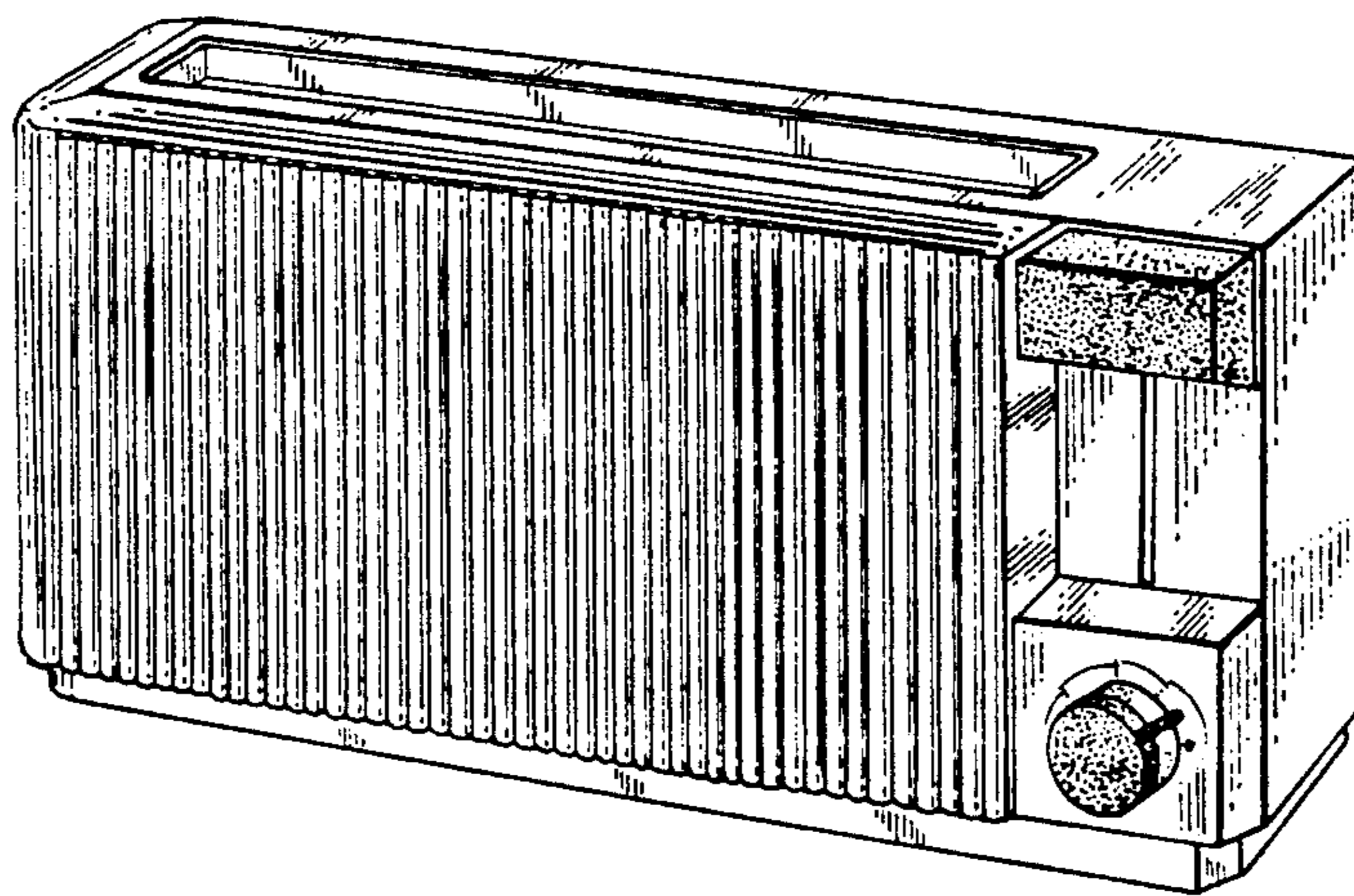


FIG. 1

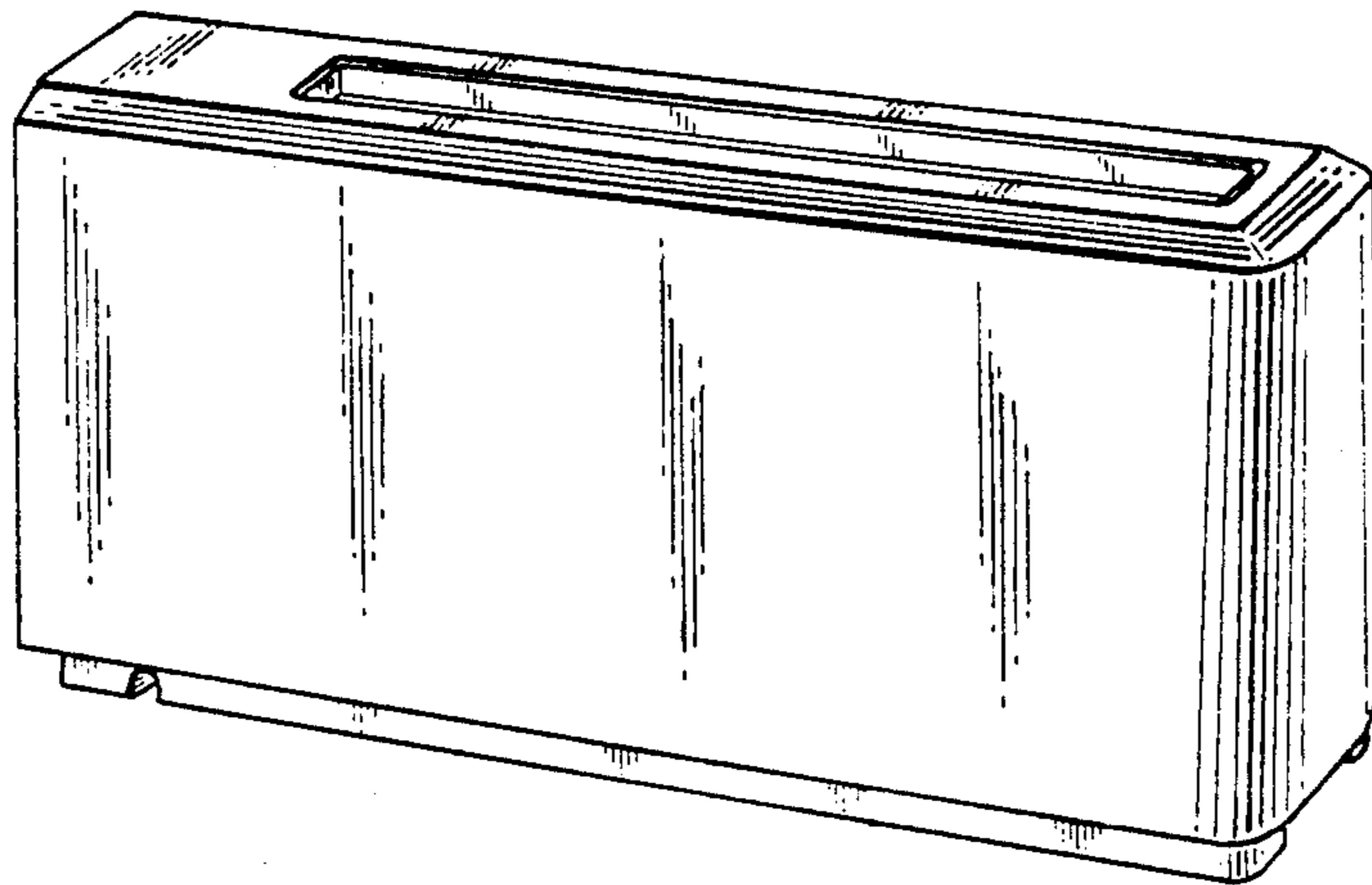


FIG. 2

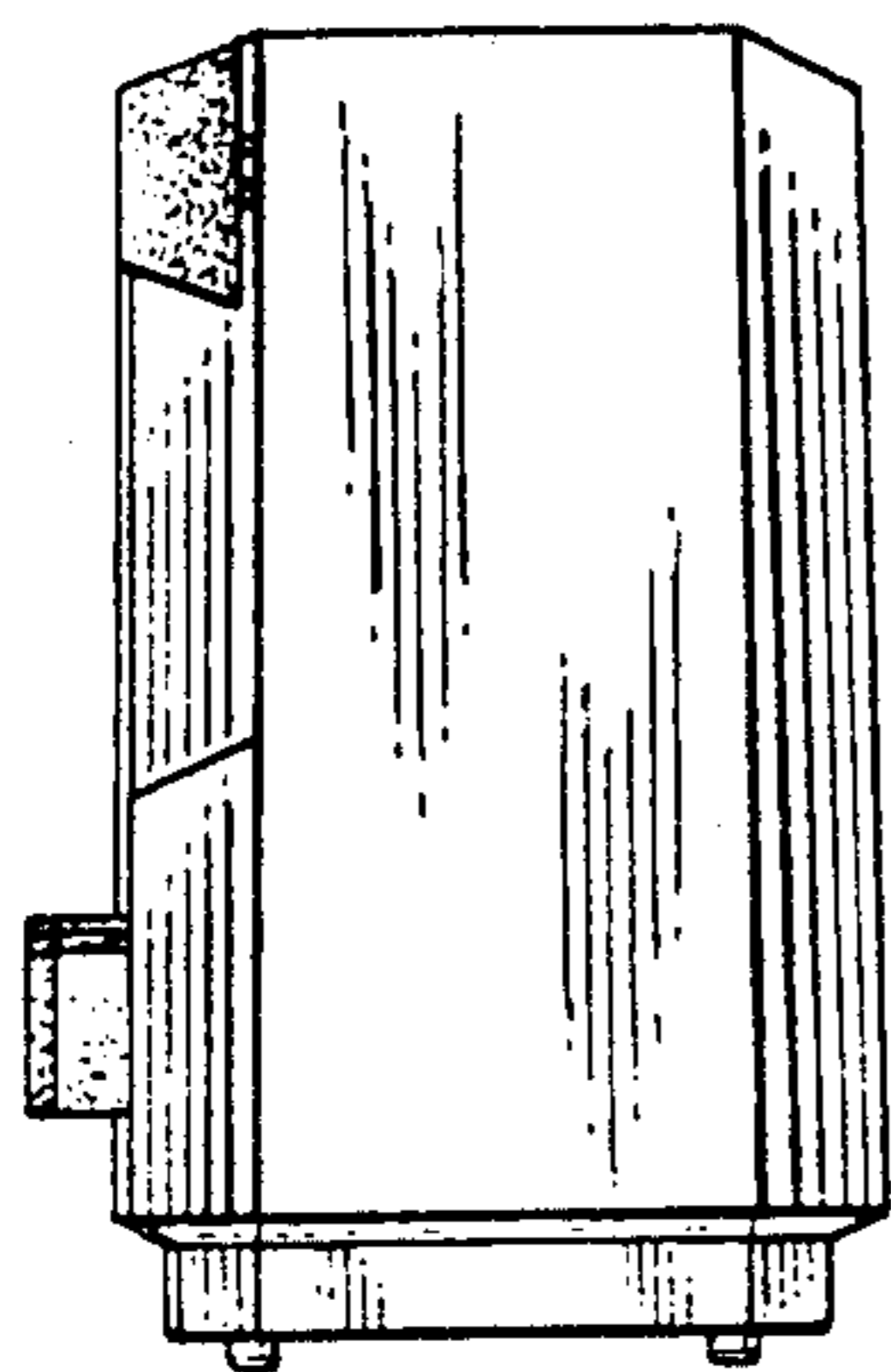


FIG. 3

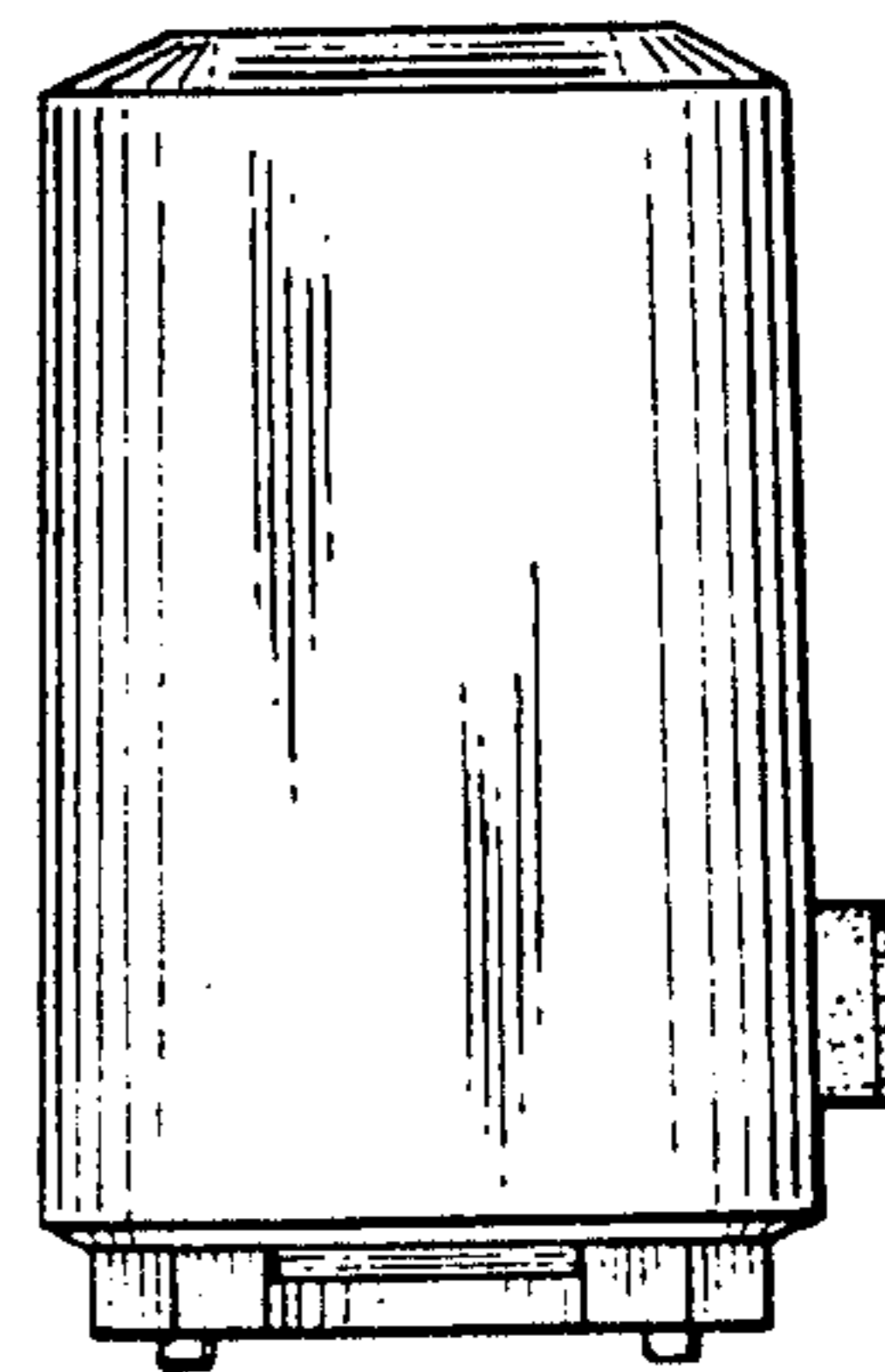


FIG. 4

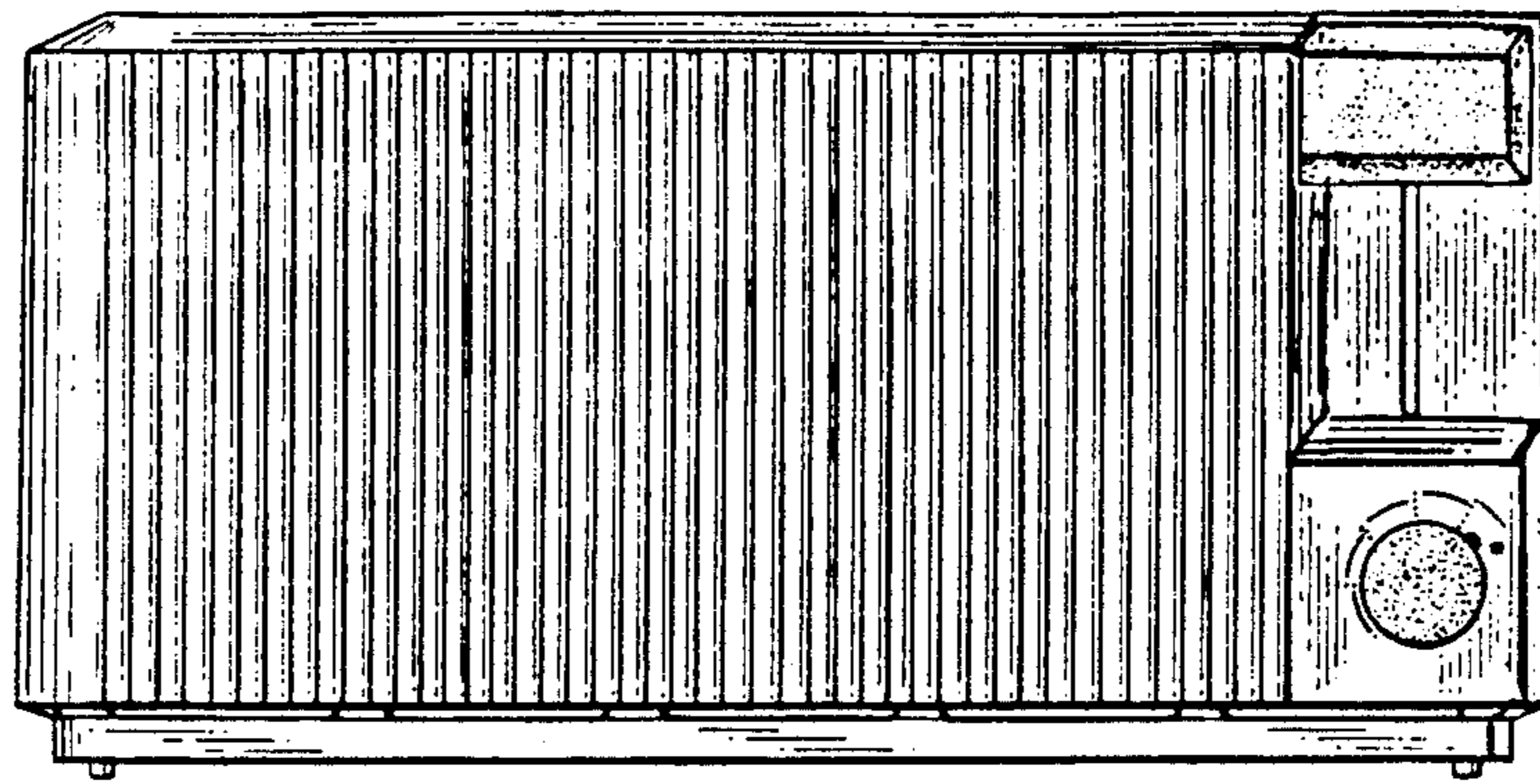


FIG. 5

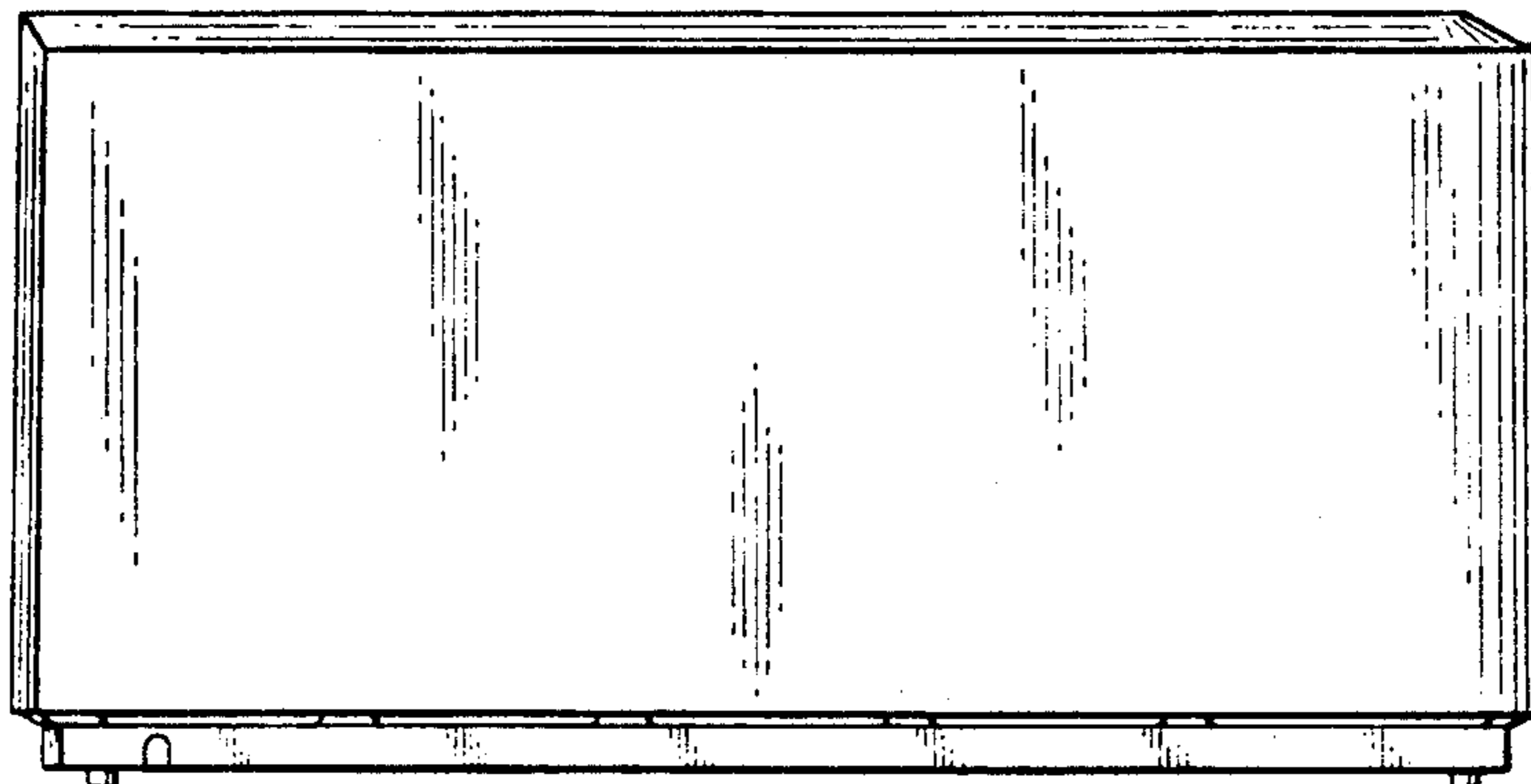


FIG. 6

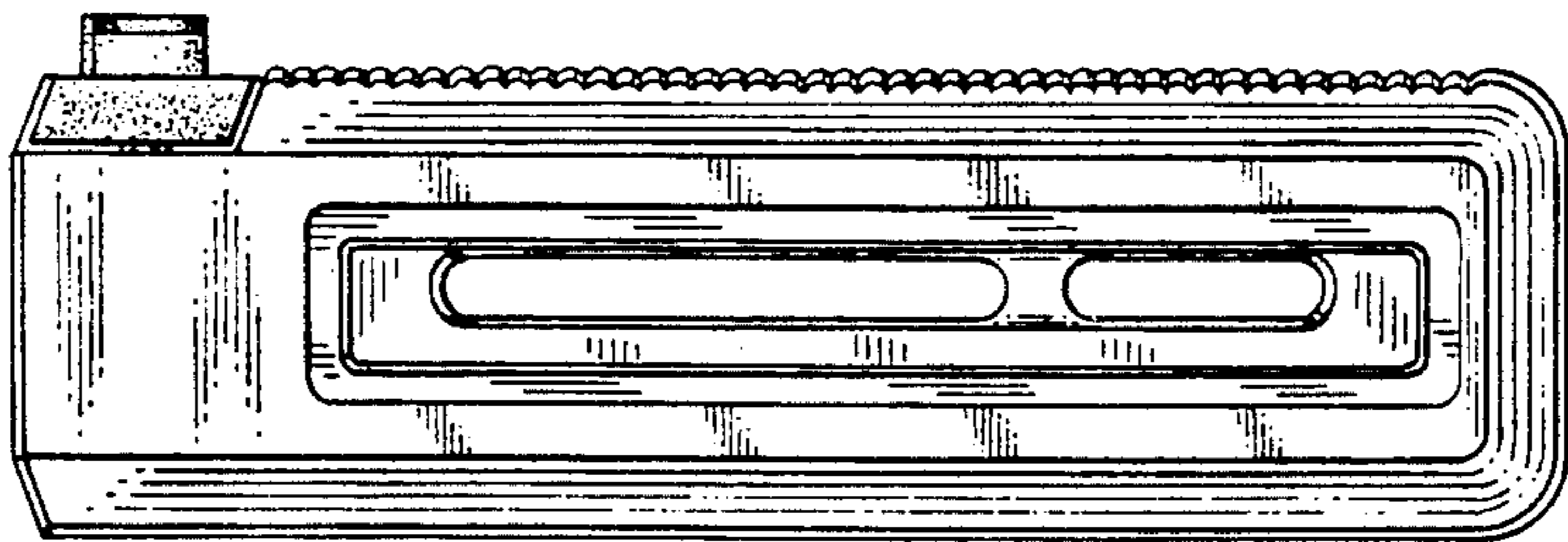


FIG. 7

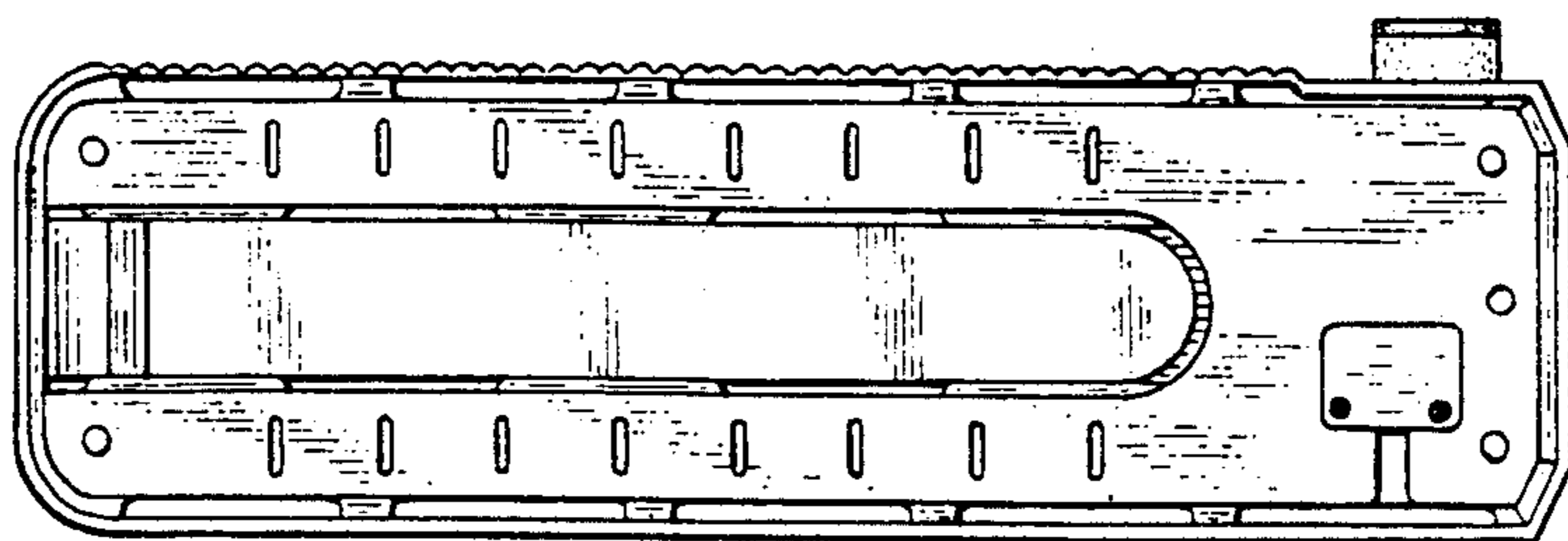


FIG. 8