

[54] COUNTERTOP BEVERAGE DISPENSING MACHINE

[75] Inventors: Rodney N. Sexton, Laguna Hills; Floyd S. Woolf, Lake Matthews; Timothy W. Ruud, Laguna Hills, all of Calif.

[73] Assignee: ICEE-USA Corp., Anaheim, Calif.

[**] Term: 14 Years

[21] Appl. No.: 192,307

[22] Filed: May 9, 1988

[52] U.S. Cl. D7/308; D7/311

[58] Field of Search D7/300, 305, 309, 308, D7/311, 397, 307, 306, 312; 312/236; 62/390, 389, 391

[56] References Cited

U.S. PATENT DOCUMENTS

D. 206,519 12/1966 Wolfe D7/308

D. 271,496 11/1983 Lents D7/306 X
D. 284,925 8/1986 Jacobs et al. D7/308
4,272,968 6/1981 Harvill 62/390 X
4,304,341 12/1981 Shirley D7/307 X

Primary Examiner—Winifred E. Herrmann
Attorney, Agent, or Firm—Eckert Seamans Cherin & Mellott

[57] CLAIM

The ornamental design for a countertop beverage dispensing machine, as shown and described.

DESCRIPTION

FIG. 1 is a front elevational view of the countertop beverage dispensing machine showing our new design; FIG. 2 is a top plan view; FIG. 3 is a right side elevational view; FIG. 4 is a left side elevational view; FIG. 5 is a rear elevational view; FIG. 6 is a bottom plan view; and FIG. 7 is a top perspective view thereof.

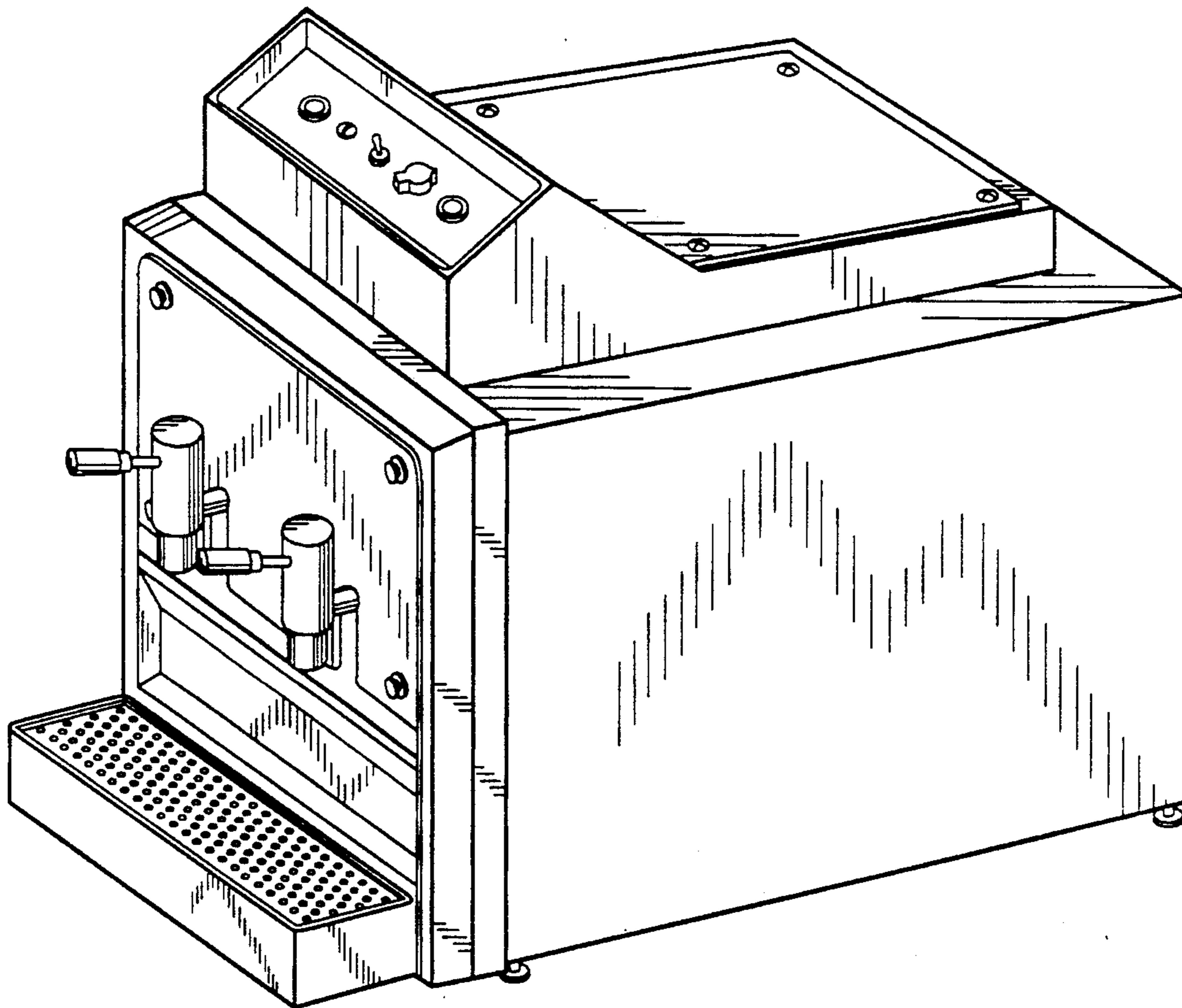


FIG. 2

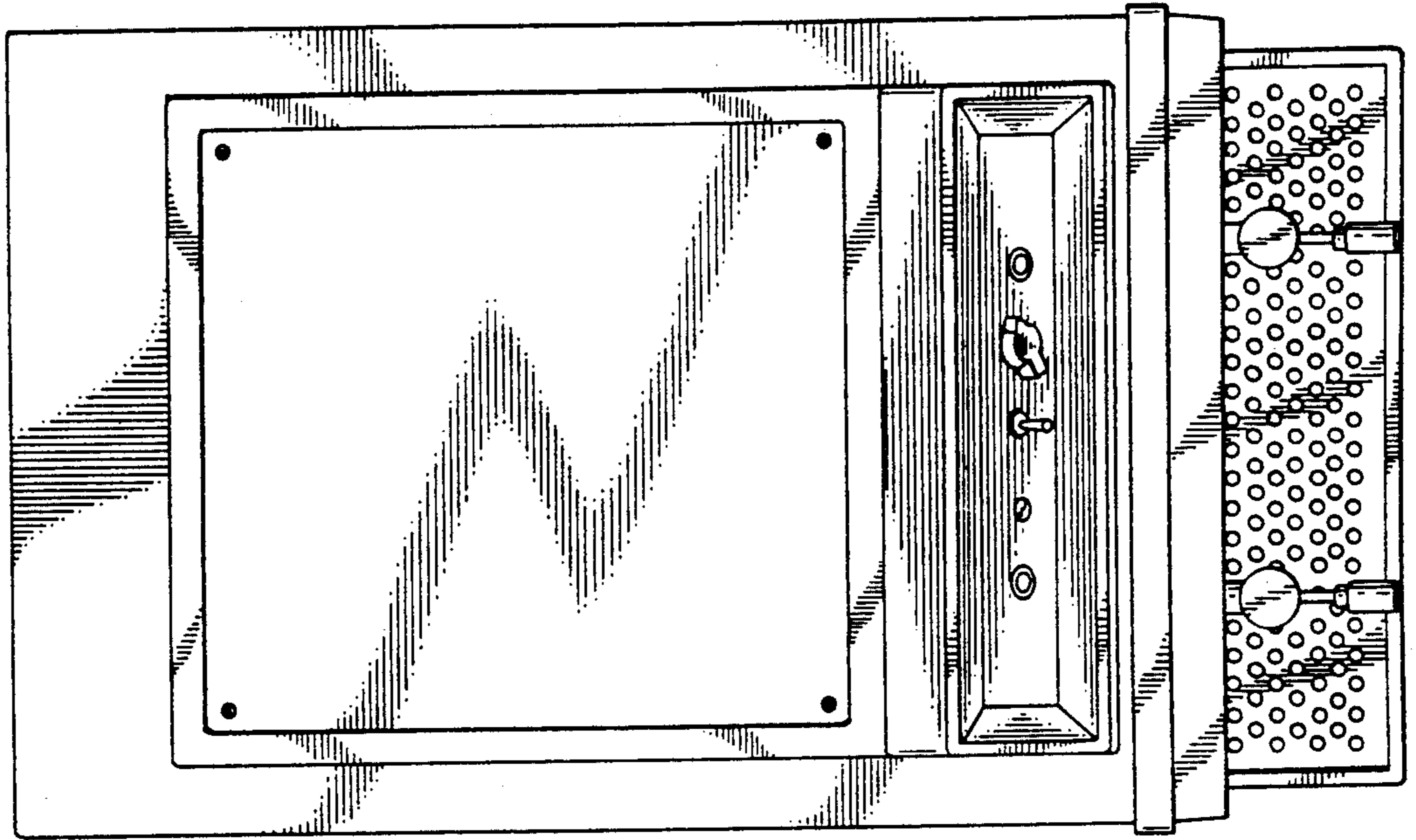


FIG. 1

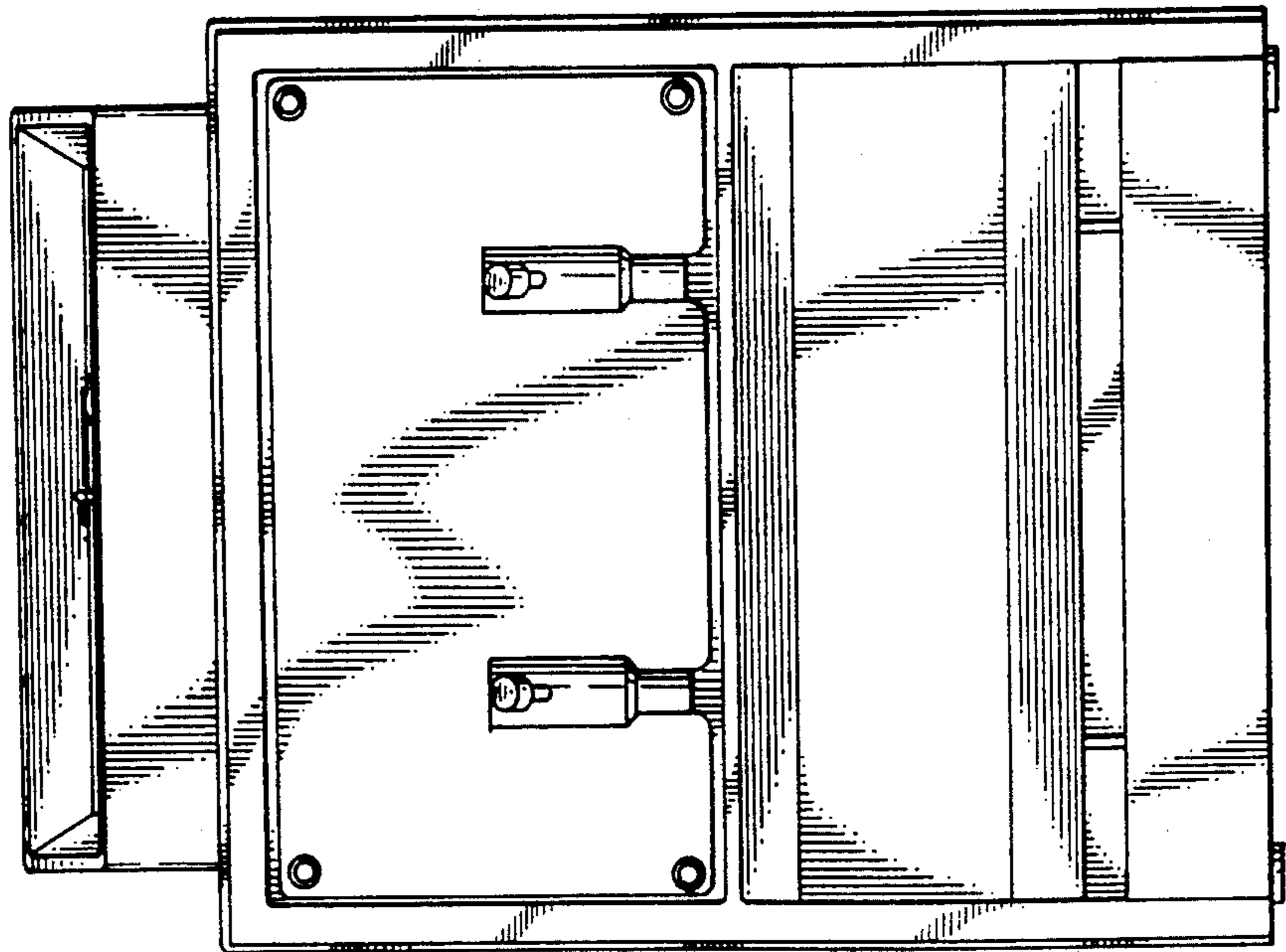


FIG. 3

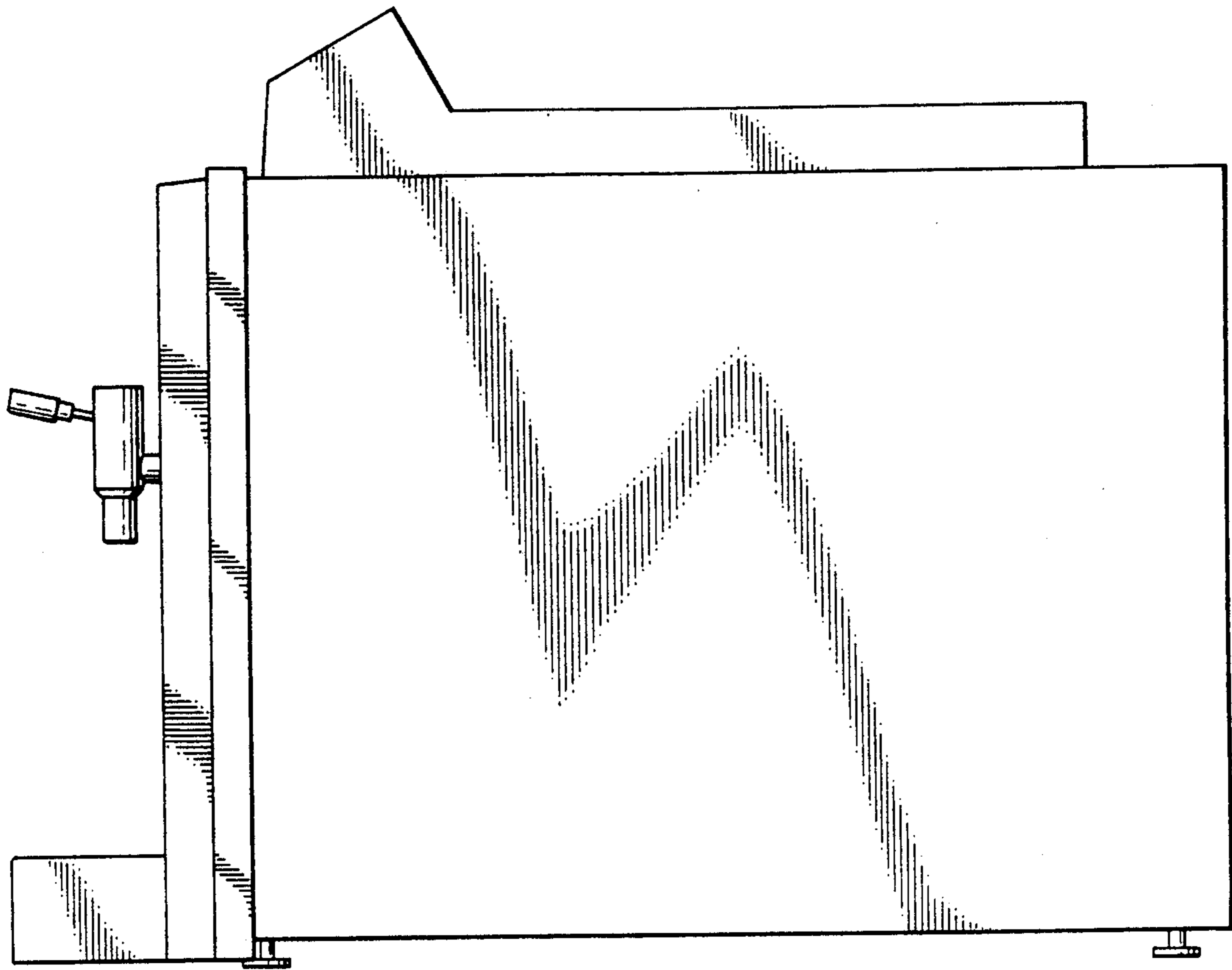


FIG. 4

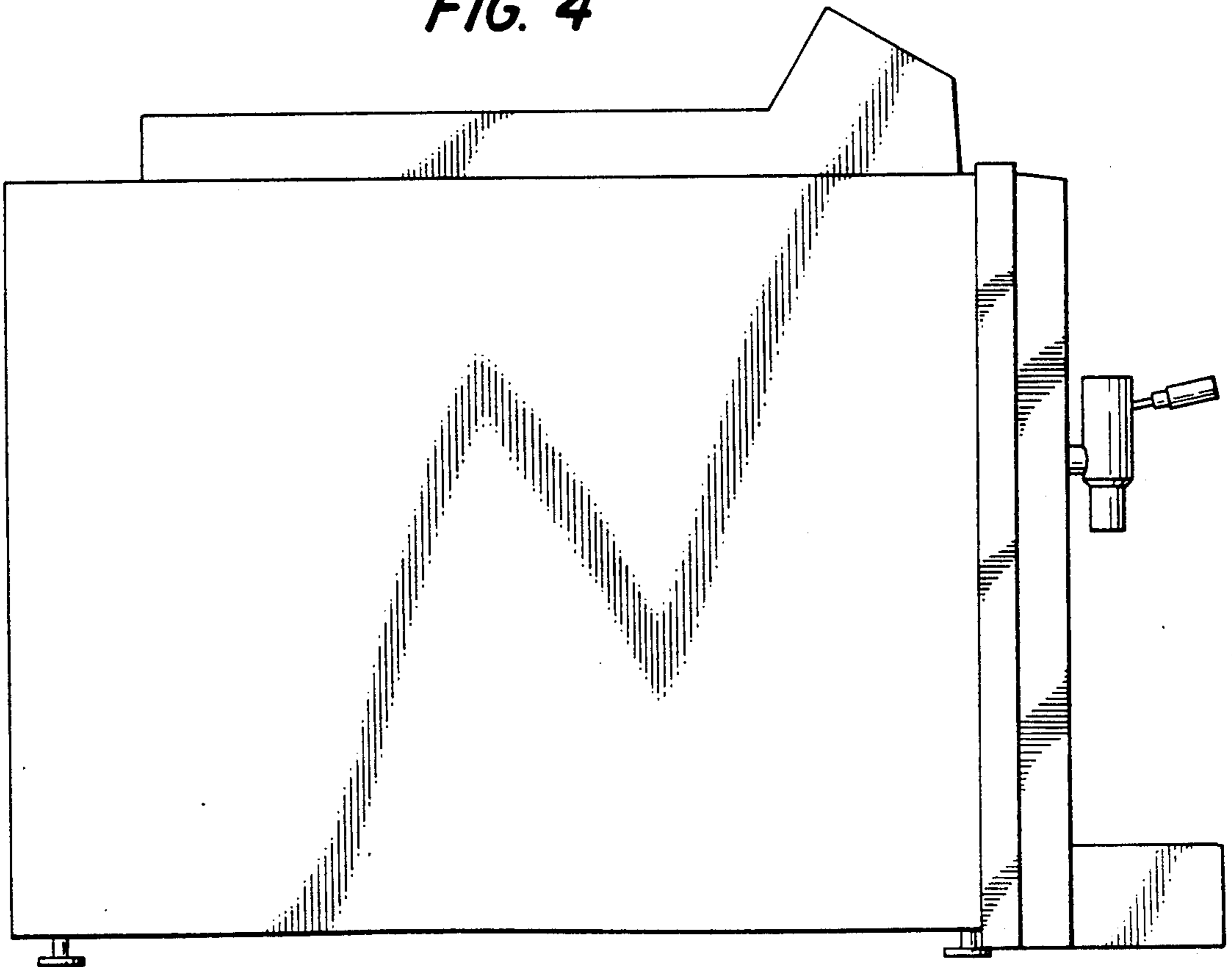


FIG. 6

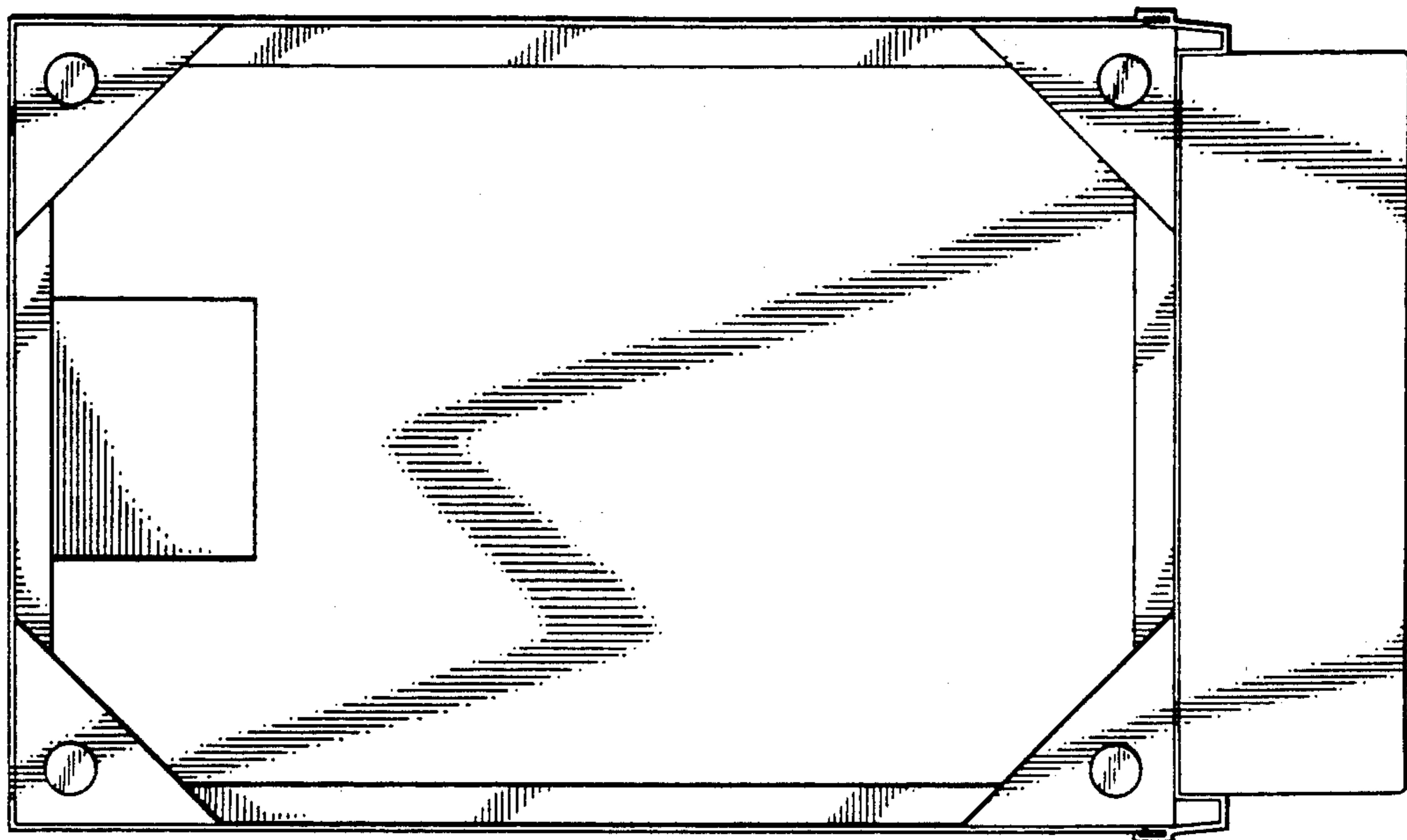
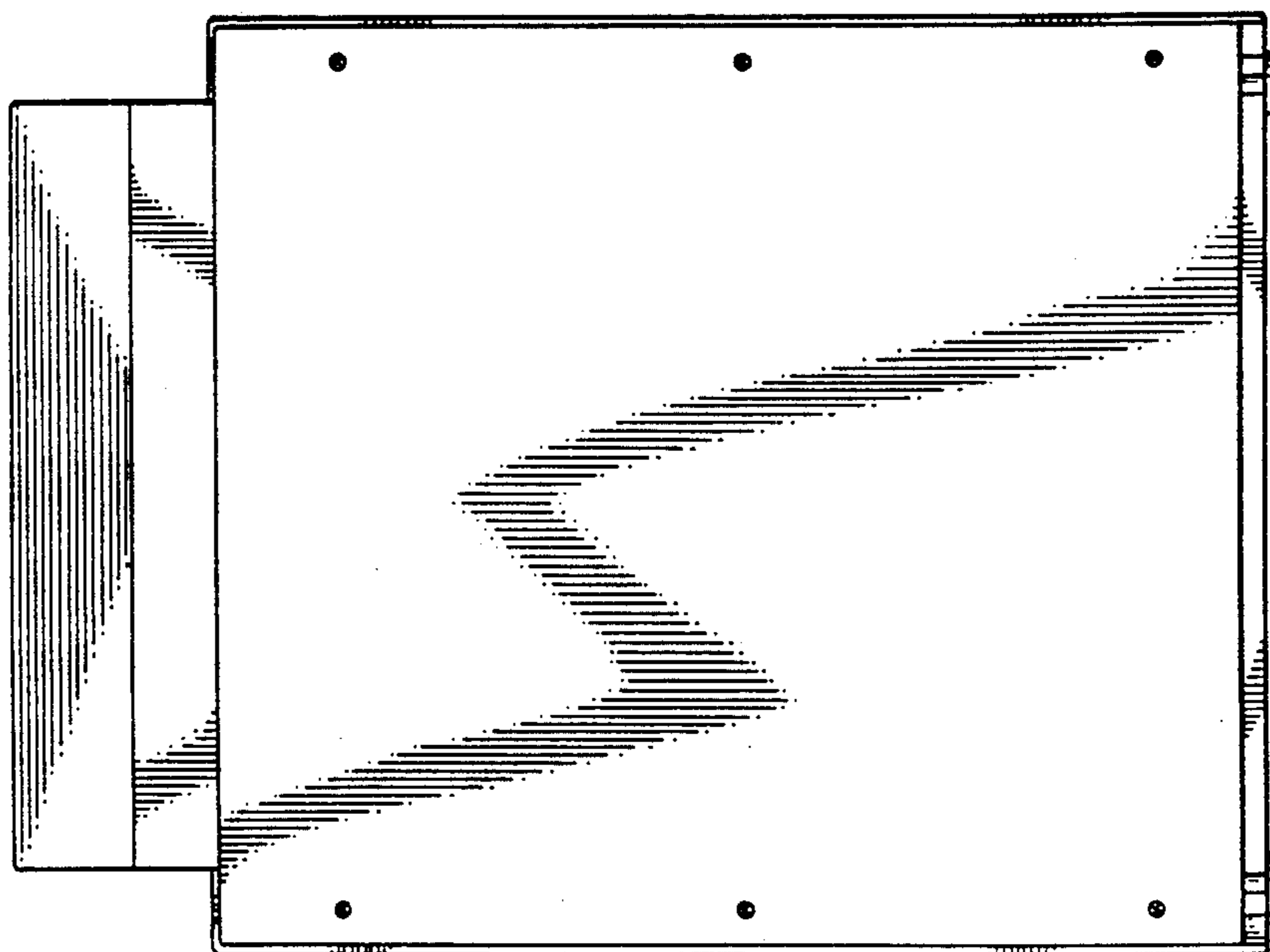


FIG. 5



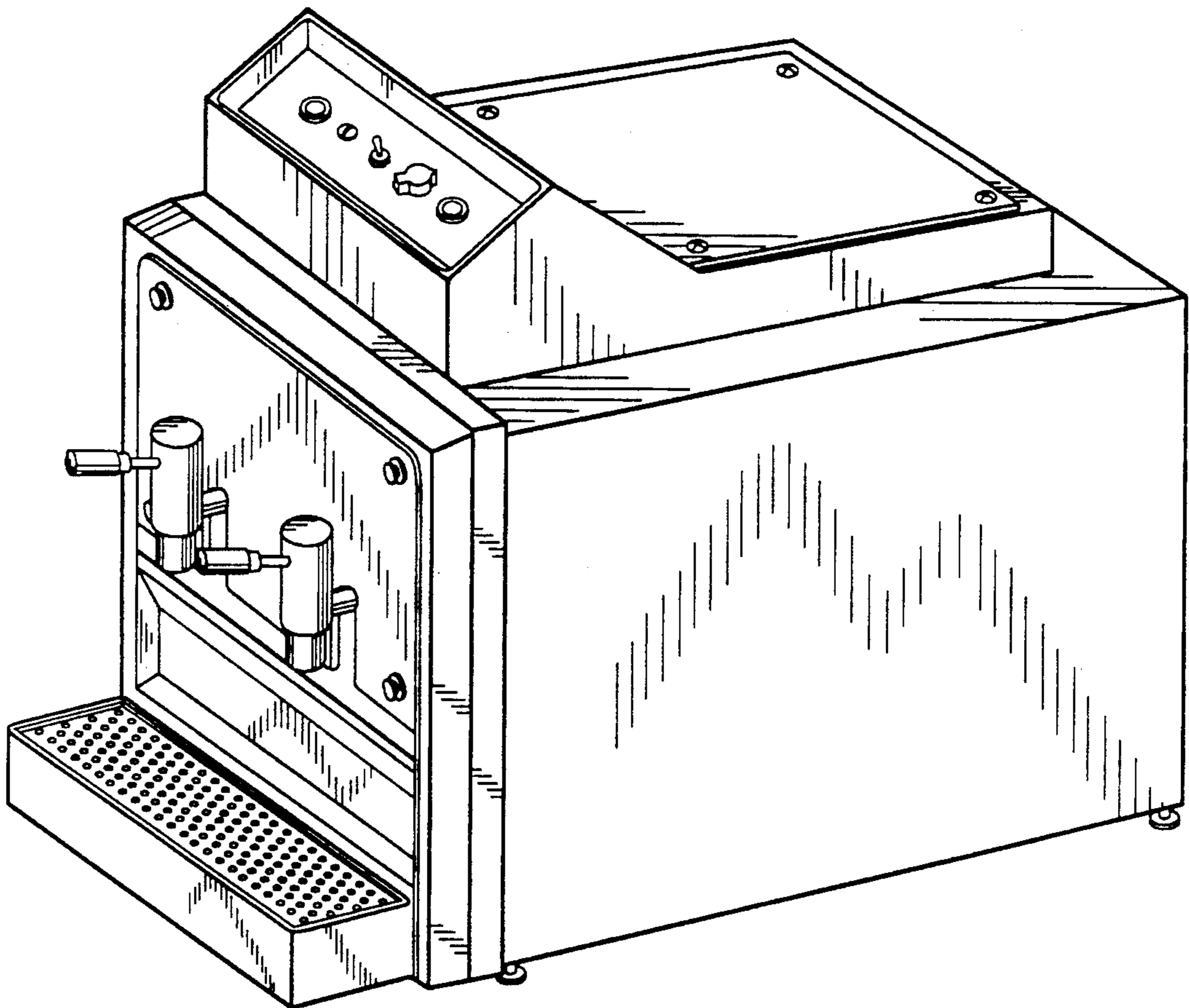


Figure 7