

[54] TRAY FOR AUTOMOBILE PARTS AND TOOLS

[76] Inventor: Thomas A. Denton, 787 Phelan Rd., #9, Pinon Hills, Calif. 92372

[**] Term: 14 Years

[21] Appl. No.: 217,818

[22] Filed: Jul. 12, 1988

[52] U.S. Cl. D6/469; D6/449; D6/476; D15/140

[58] Field of Search D6/449, 455, 457, 467, D6/469, 466, 475, 476, 486; D7/546; D9/341; 108/44; 211/126, 86; 206/327; D15/140

[56] References Cited

U.S. PATENT DOCUMENTS

D. 192,054	1/1962	de Caccia	D15/140
D. 254,079	1/1980	Berghoff	D15/140 X
D. 266,301	9/1982	Hall	D15/140 X
D. 291,527	8/1987	Notbohm	D7/546 X
2,805,778	9/1957	Yordi	211/86
2,818,316	12/1957	D'Andrade	311/21
2,901,303	8/1959	Anderson	311/21
2,922,684	1/1960	Miller et al.	311/21

2,942,920	6/1960	French	311/21
2,958,566	11/1960	Buck	311/21
2,962,333	11/1960	Policastro	311/21
3,023,063	2/1962	Hansen	311/21
3,794,181	2/1974	Canham	211/65
4,184,592	1/1980	Howard, Jr.	206/327
4,500,059	2/1985	Papizan	211/88 X

OTHER PUBLICATIONS

Catalog Sheet from Custom Accessories, p. 66 (1 page), "Tools, Flatheads & Marine".

Primary Examiner—Bruce W. Dunkins

Assistant Examiner—Jeffrey Asch

Attorney, Agent, or Firm—Stetina and Brunda

[57] CLAIM

The ornamental design for a tray for automobile parts and tools, as shown and described.

DESCRIPTION

FIG. 1 is a top perspective view of a tray for automobile parts and tools showing my new design; FIG. 2 is a bottom perspective view thereof; FIG. 3 is a top perspective view of a second embodiment of the tray of FIG. 1; and FIG. 4 is a bottom perspective view thereof.

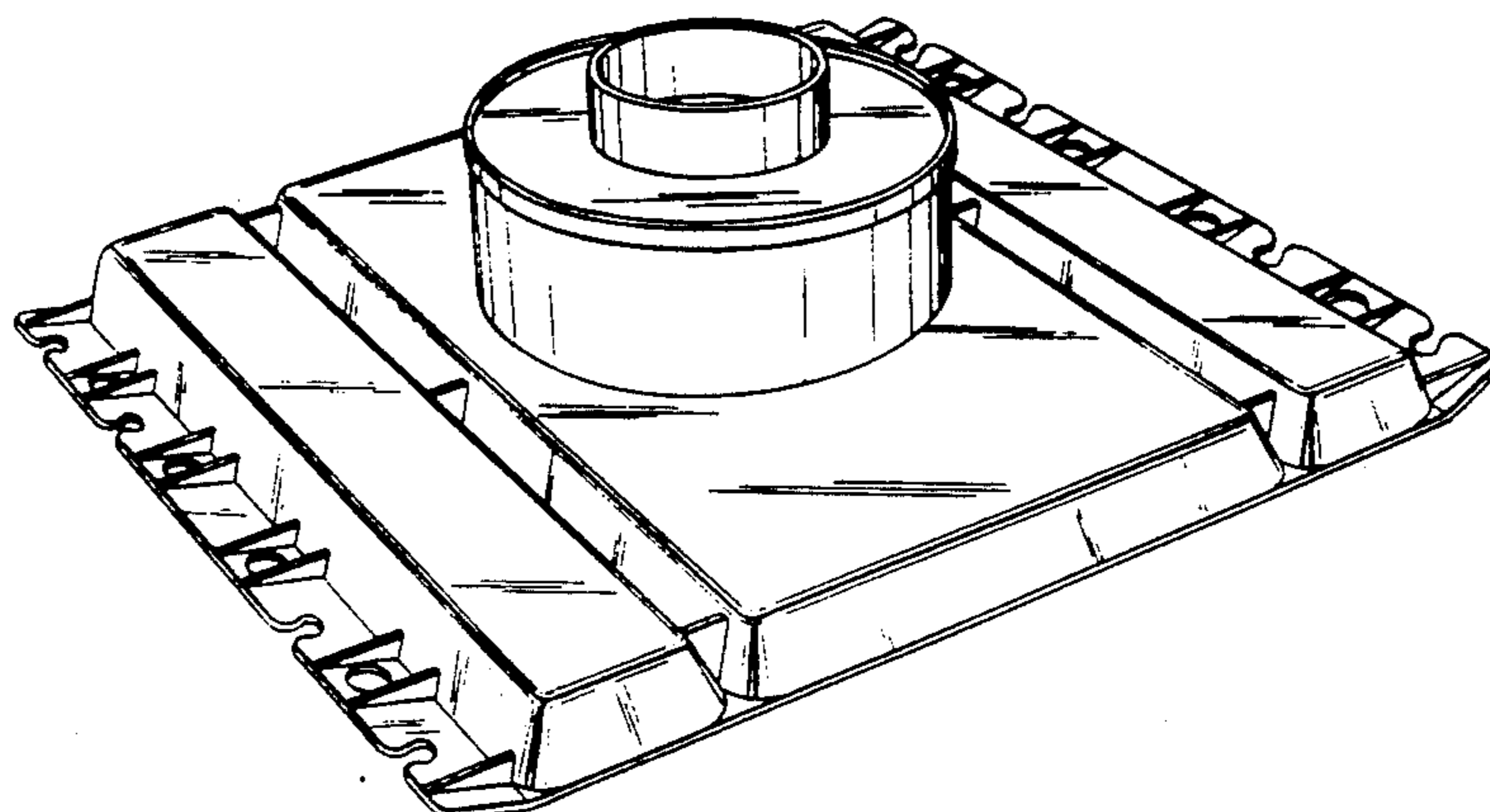
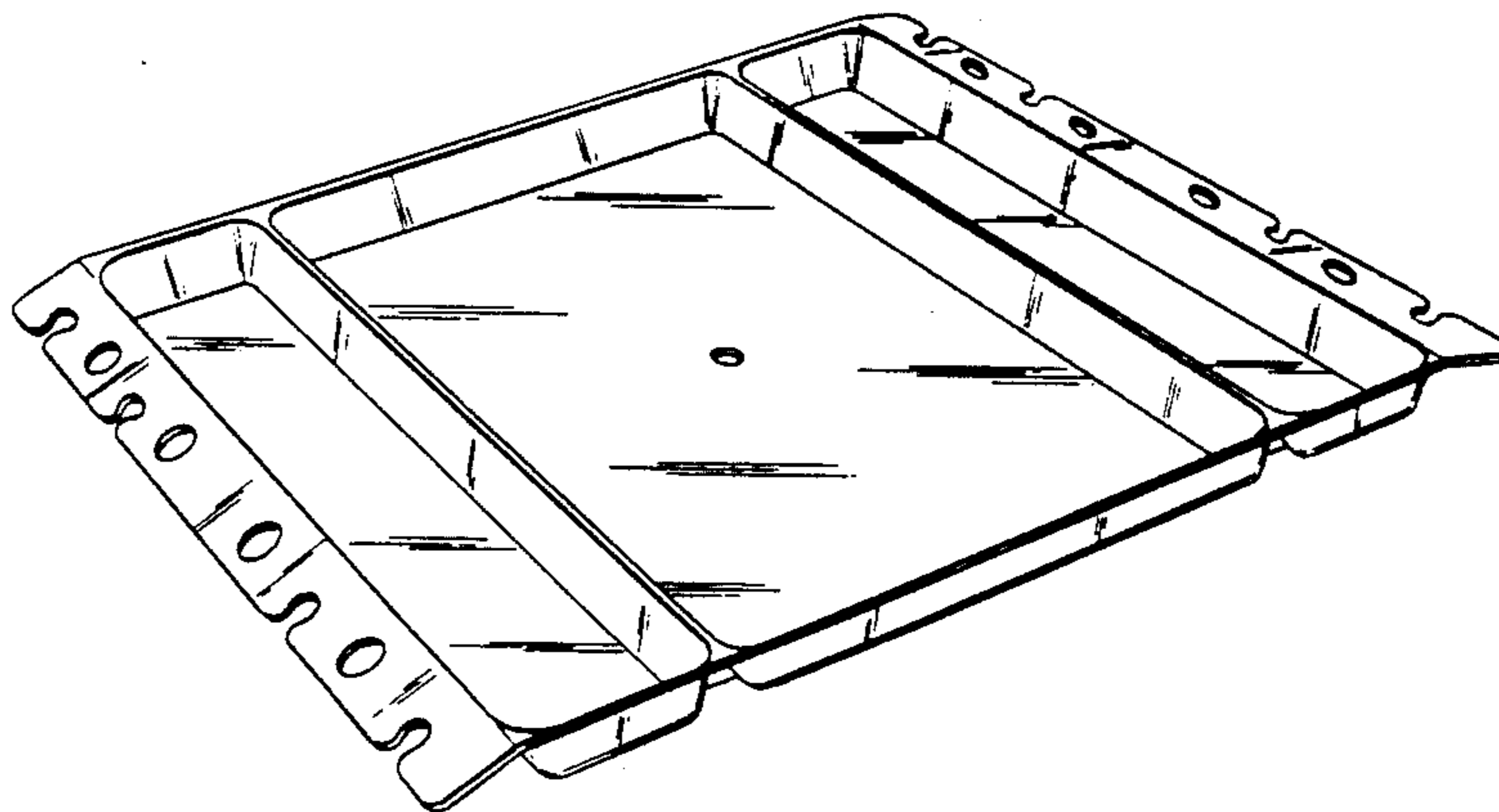


Fig. 1

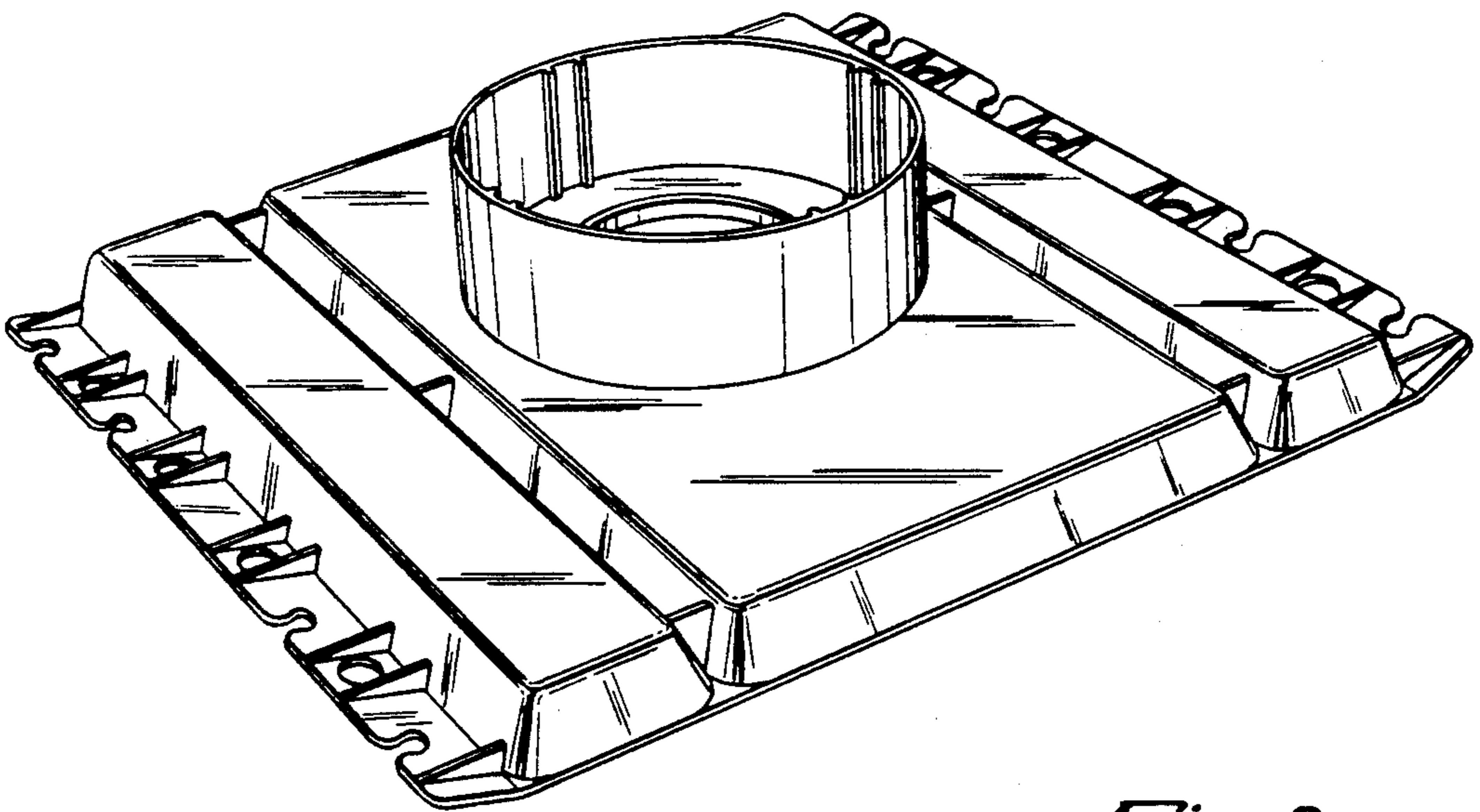
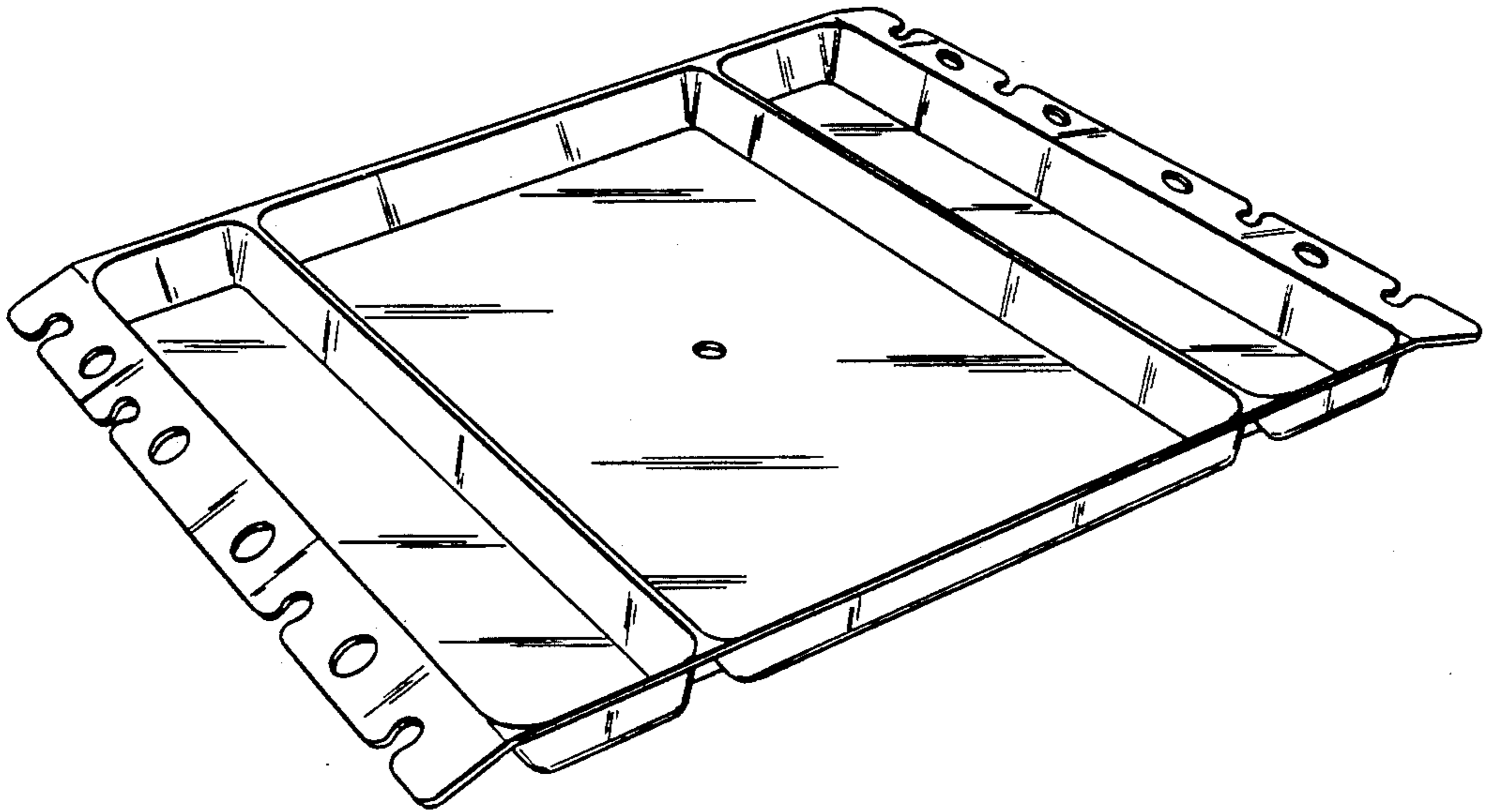


Fig. 2

Fig. 3

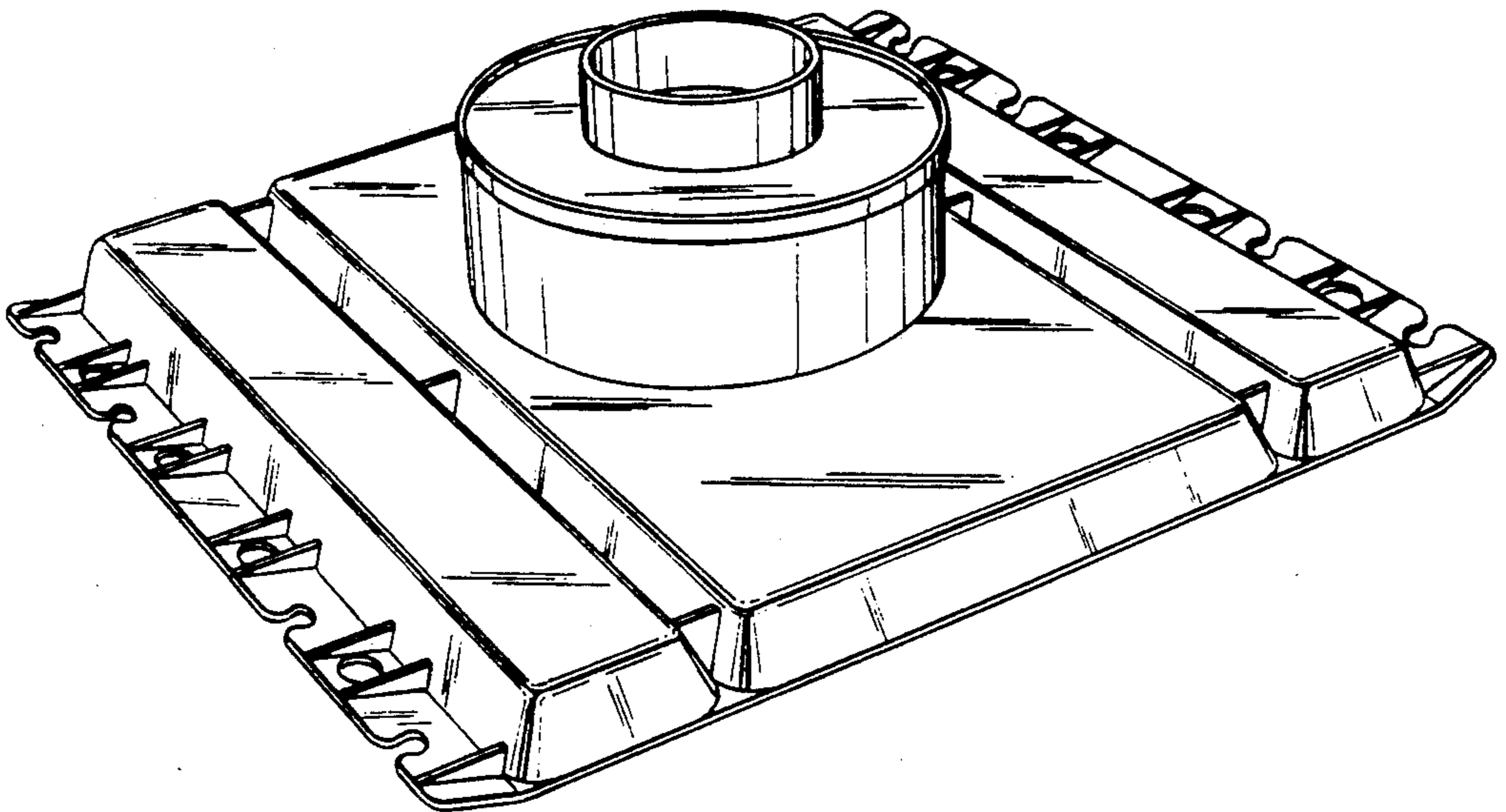
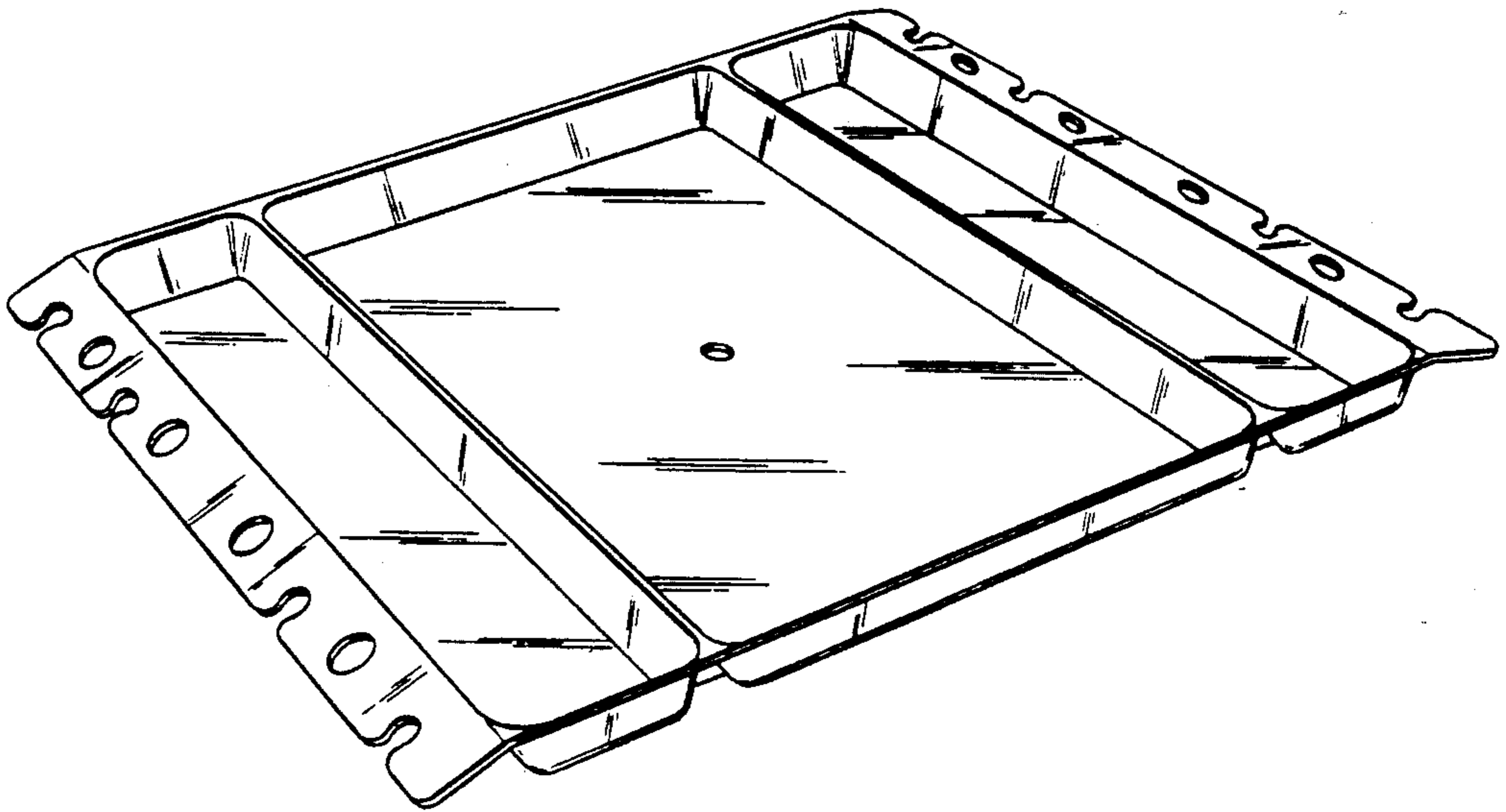


Fig. 4