

[54] ADJUSTABLE DRESSING TABLE FOR A BABY

[76] Inventors: Vinh V. Vuong; Lan M. Vuong, both of 11551 Garden Grove Blvd., Garden Grove, Calif. 92643

[**] Term: 14 Years

[21] Appl. No.: 167,443

[22] Filed: Mar. 14, 1988

[52] U.S. Cl. D6/384

[58] Field of Search D6/382-384, D6/390-392, 491

[56] References Cited

U.S. PATENT DOCUMENTS

- D. 143,290 12/1945 Elson D6/384
- D. 176,930 2/1956 Saba D6/384
- D. 190,356 5/1961 Grant D6/384 X

- D. 214,863 8/1969 Klara D6/384
- 3,146,736 9/1964 Hetrick D6/391 X

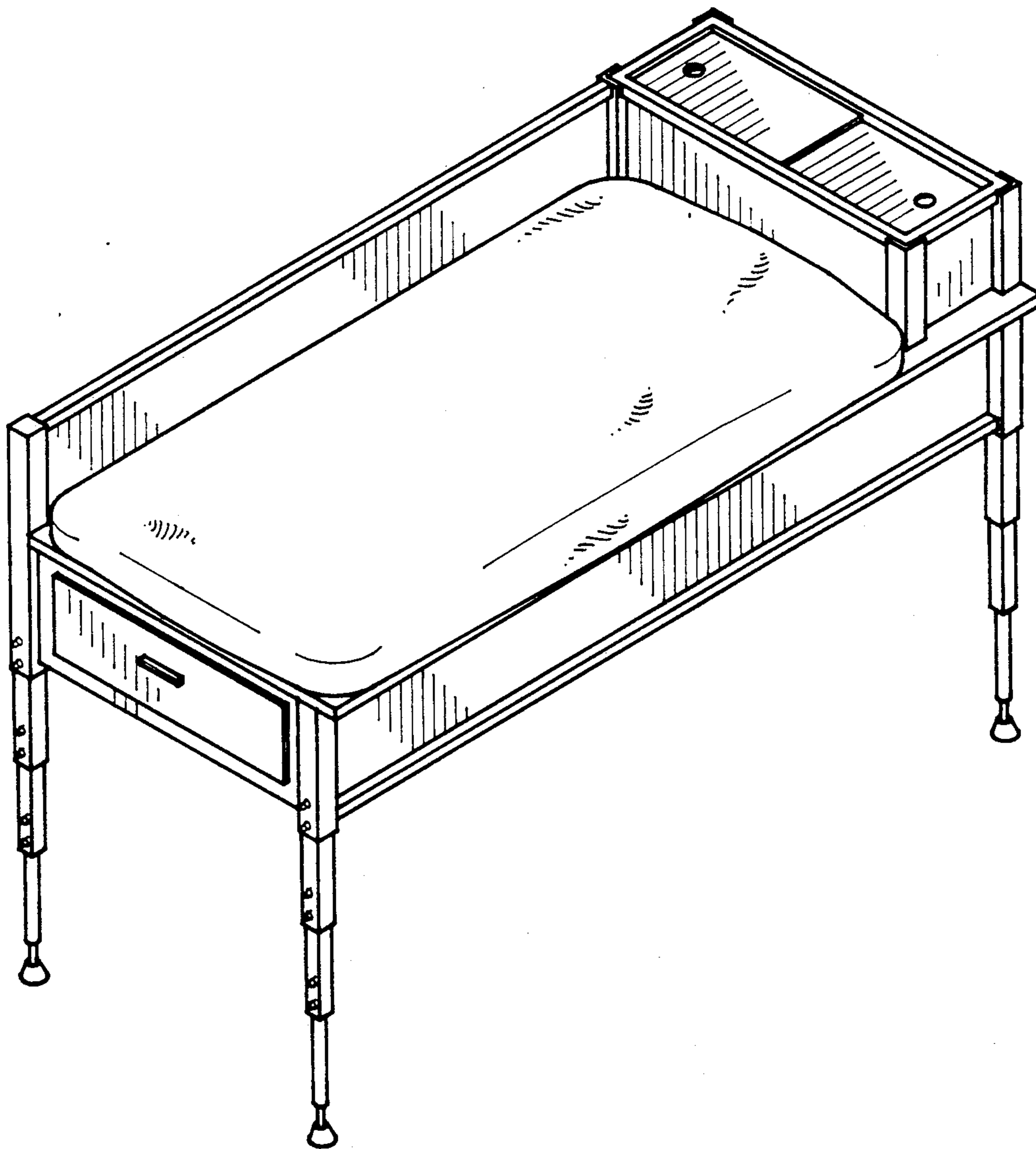
Primary Examiner—Bruce W. Dunkins
Assistant Examiner—Janice E. Seeger
Attorney, Agent, or Firm—Jerry T. Kearns

[57] CLAIM

The ornamental design for an adjustable dressing table for a baby, as shown and described.

DESCRIPTION

FIG. 1 is a front elevational view of an adjustable dressing table for a baby showing our new design; FIG. 2 is a rear elevational view thereof; FIG. 3 is a left side elevational view thereof; FIG. 4 is a right side elevational view thereof; FIG. 5 is a top plan view thereof; FIG. 6 is a bottom plan view thereof; and, FIG. 7 is a perspective view thereof.



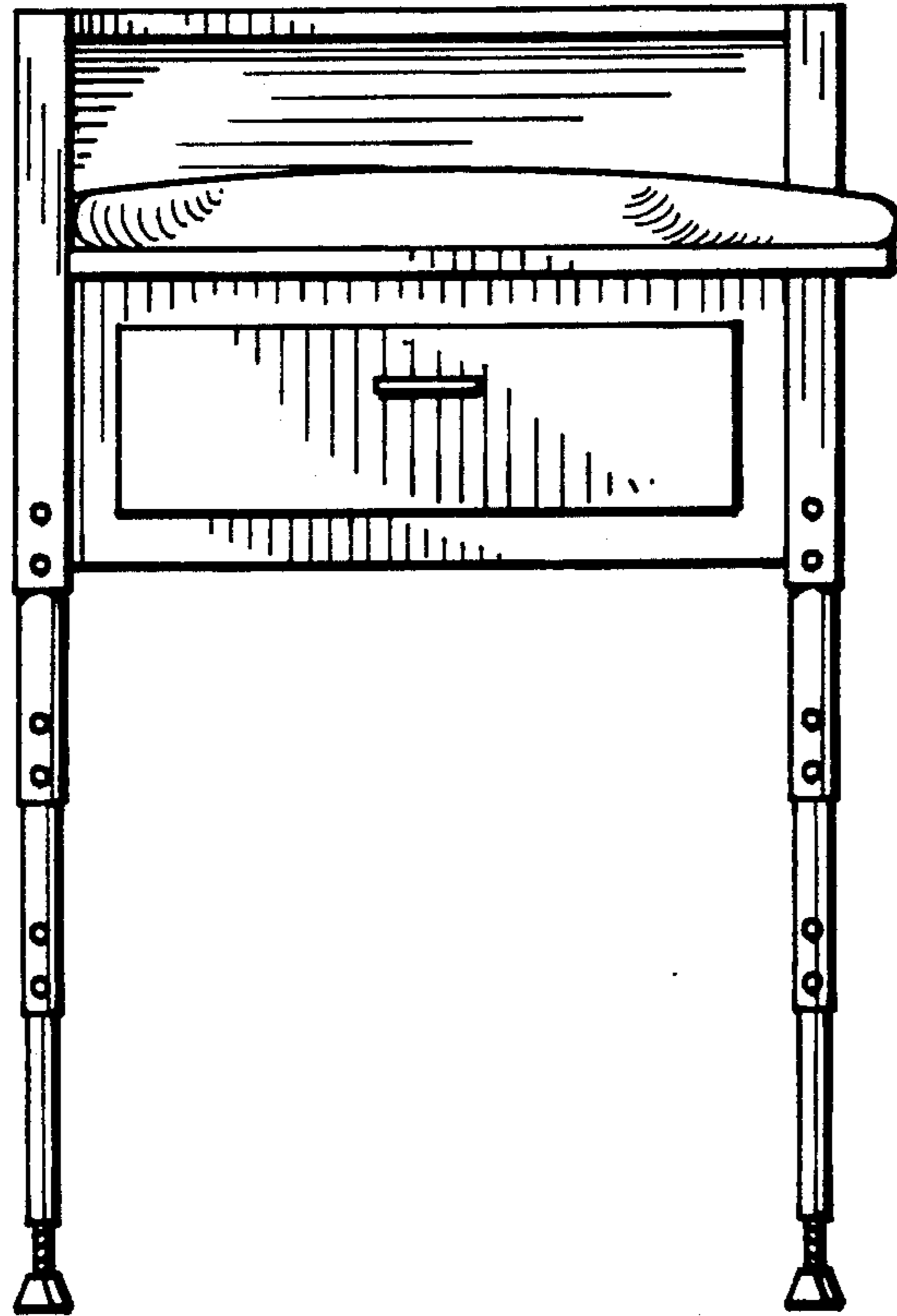


Fig. 1

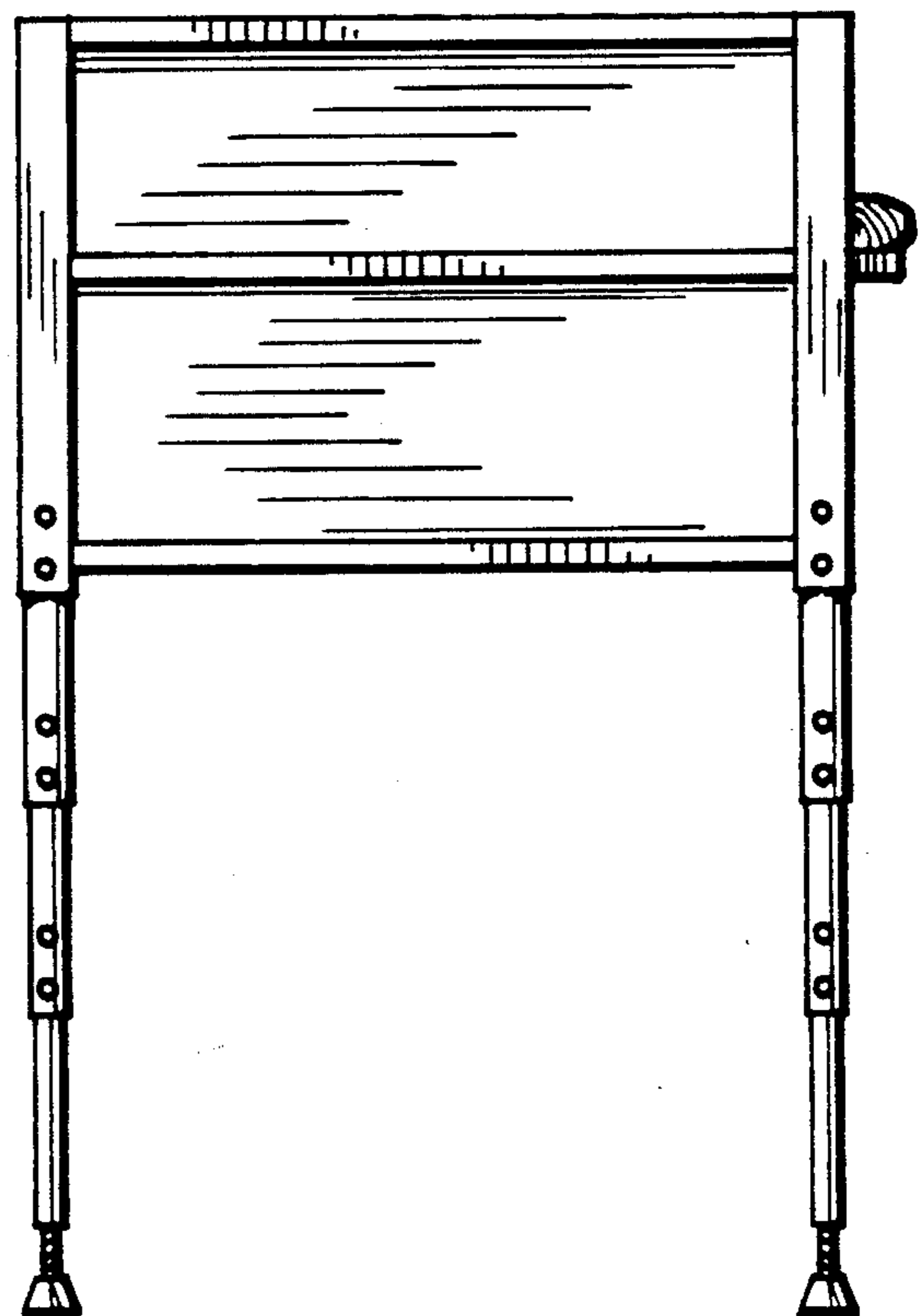
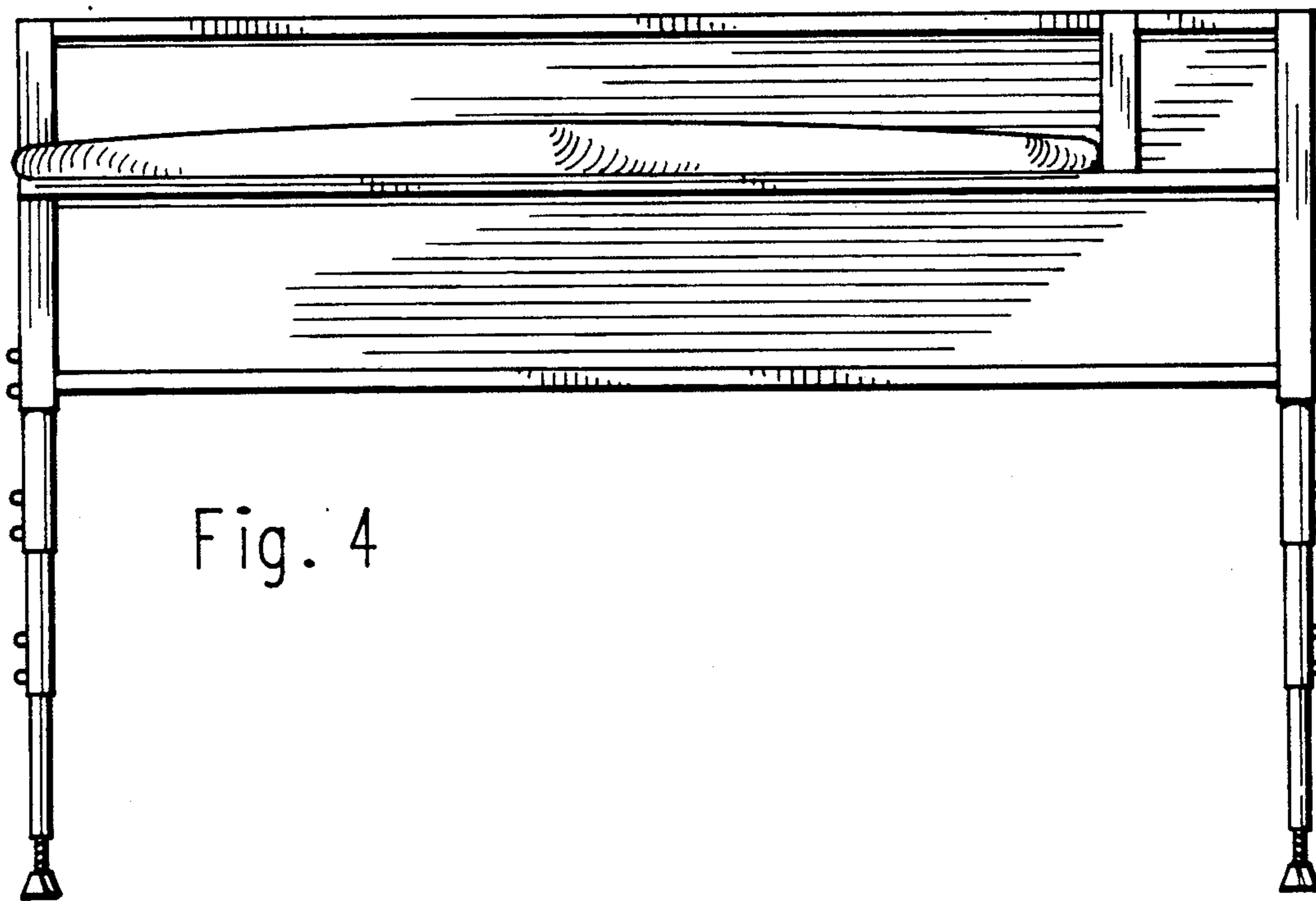
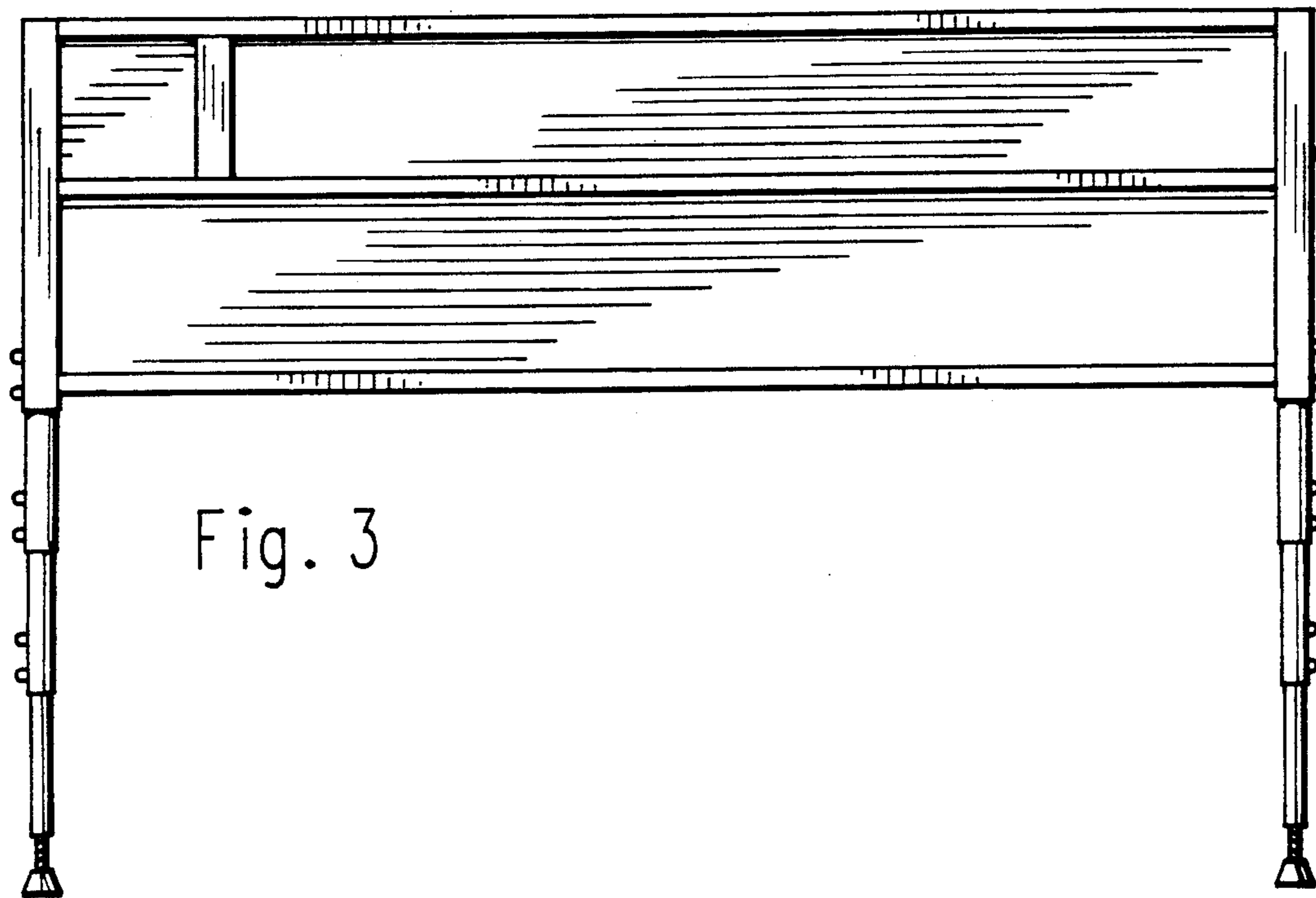


Fig. 2



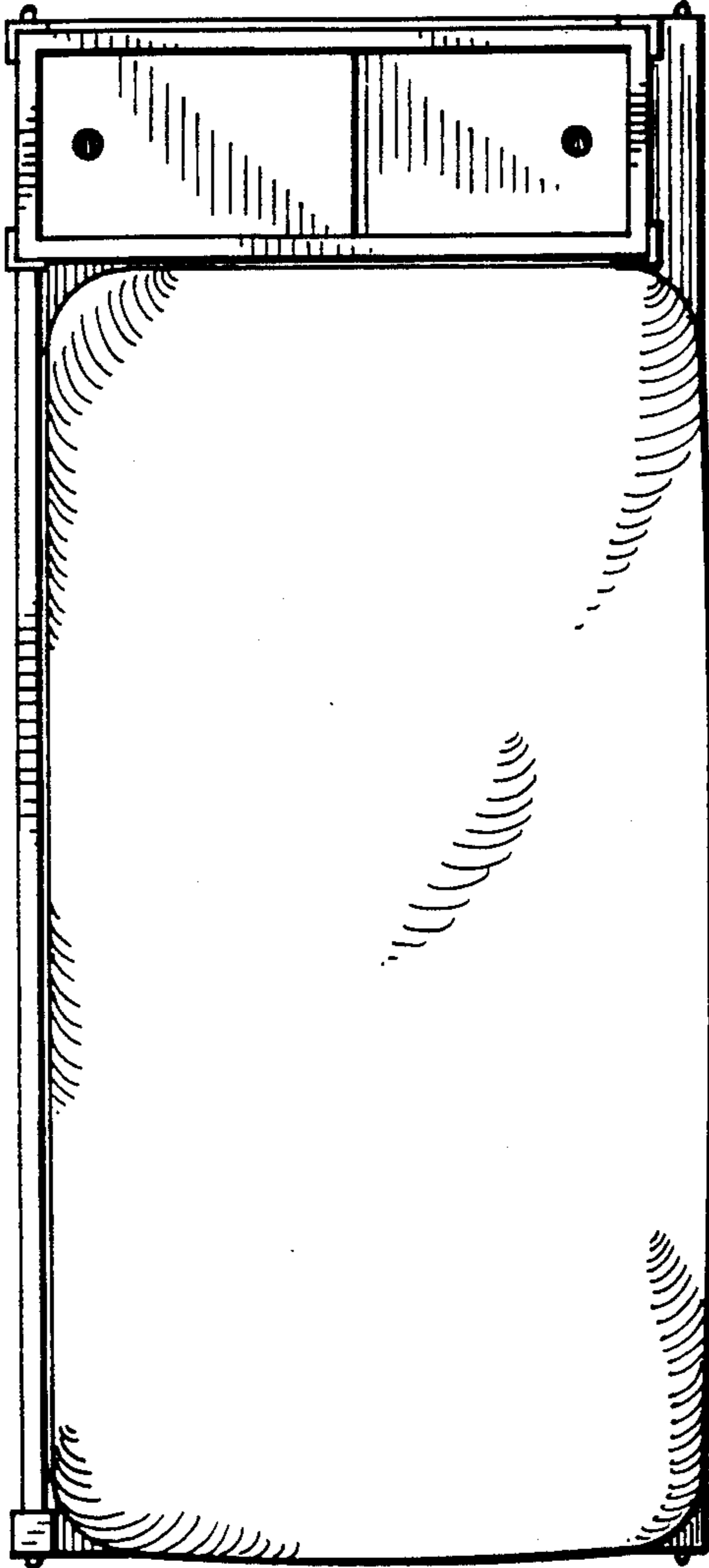


Fig. 5

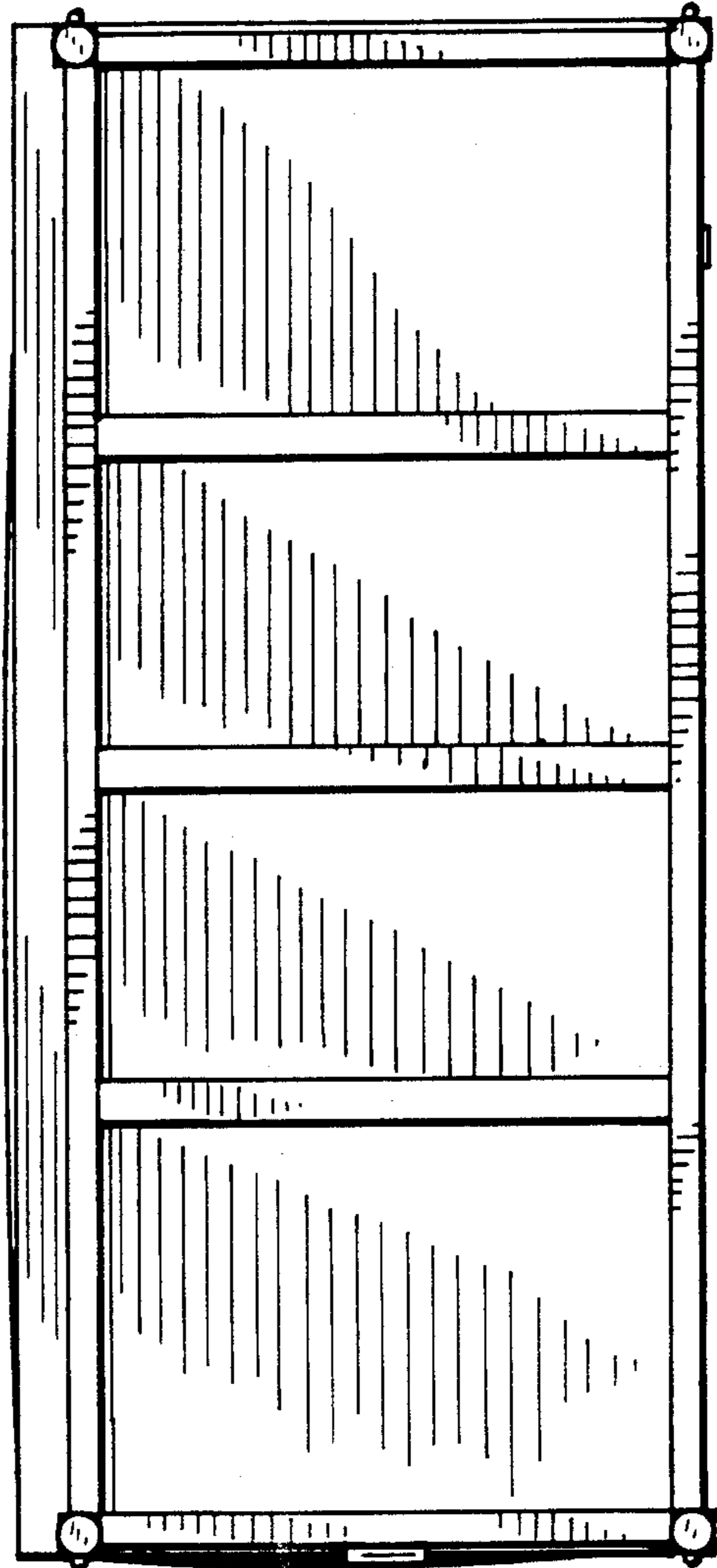


Fig. 6

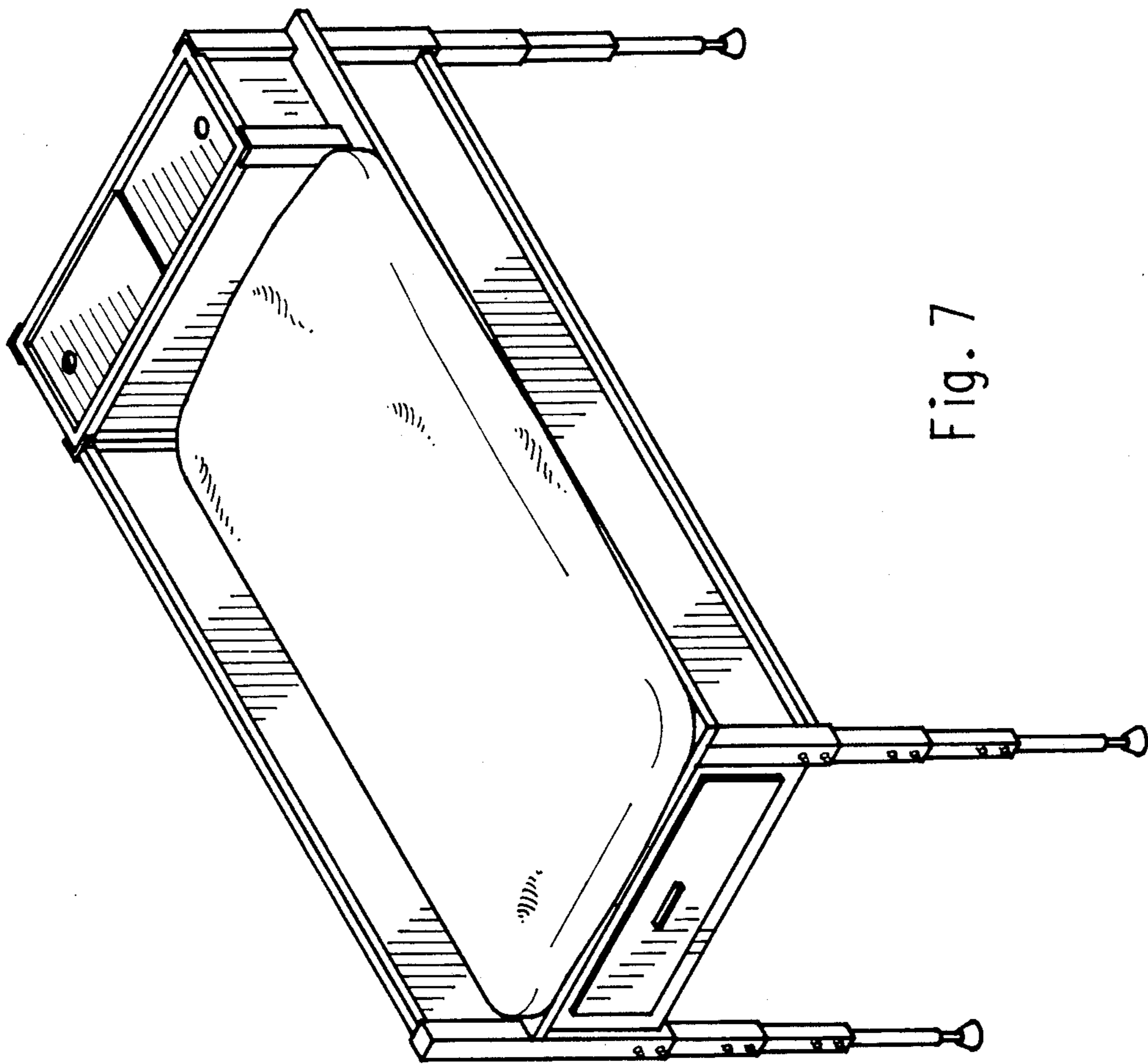


Fig. 7