

[54] ADJUSTABLE EASEL STAND

[76] Inventor: Allen Solomon, 2029 E. 17th St., Brooklyn, N.Y. 11229

[**] Term: 14 Years

[21] Appl. No.: 211,025

[22] Filed: Jun. 21, 1988

[52] U.S. Cl. D6/312

[58] Field of Search D6/300, 310-314, D6/429-431, 420; 248/460

[56] References Cited

U.S. PATENT DOCUMENTS

- D. 186,773 12/1959 Bertschinger D6/311
- D. 204,272 4/1966 Bulman D6/311

- D. 265,785 8/1982 Weiskopf D6/311
- D. 295,814 5/1988 Chang D6/429
- D. 298,041 10/1988 Chang D6/420 X
- 3,122,858 3/1964 Kadin D6/311 X

Primary Examiner—Carmen H. Vales-Lado
Attorney, Agent, or Firm—Goodman & Teitelbaum

[57] CLAIM

The ornamental design for adjustable easel stand, as shown and described.

DESCRIPTION

FIG. 1 is a front elevational view of an adjustable easel stand, showing my new design; FIG. 2 is a rear elevational view thereof; FIG. 3 is a side elevational view thereof; FIG. 4 is a top plan view thereof; and FIG. 5 is a bottom plan view thereof.

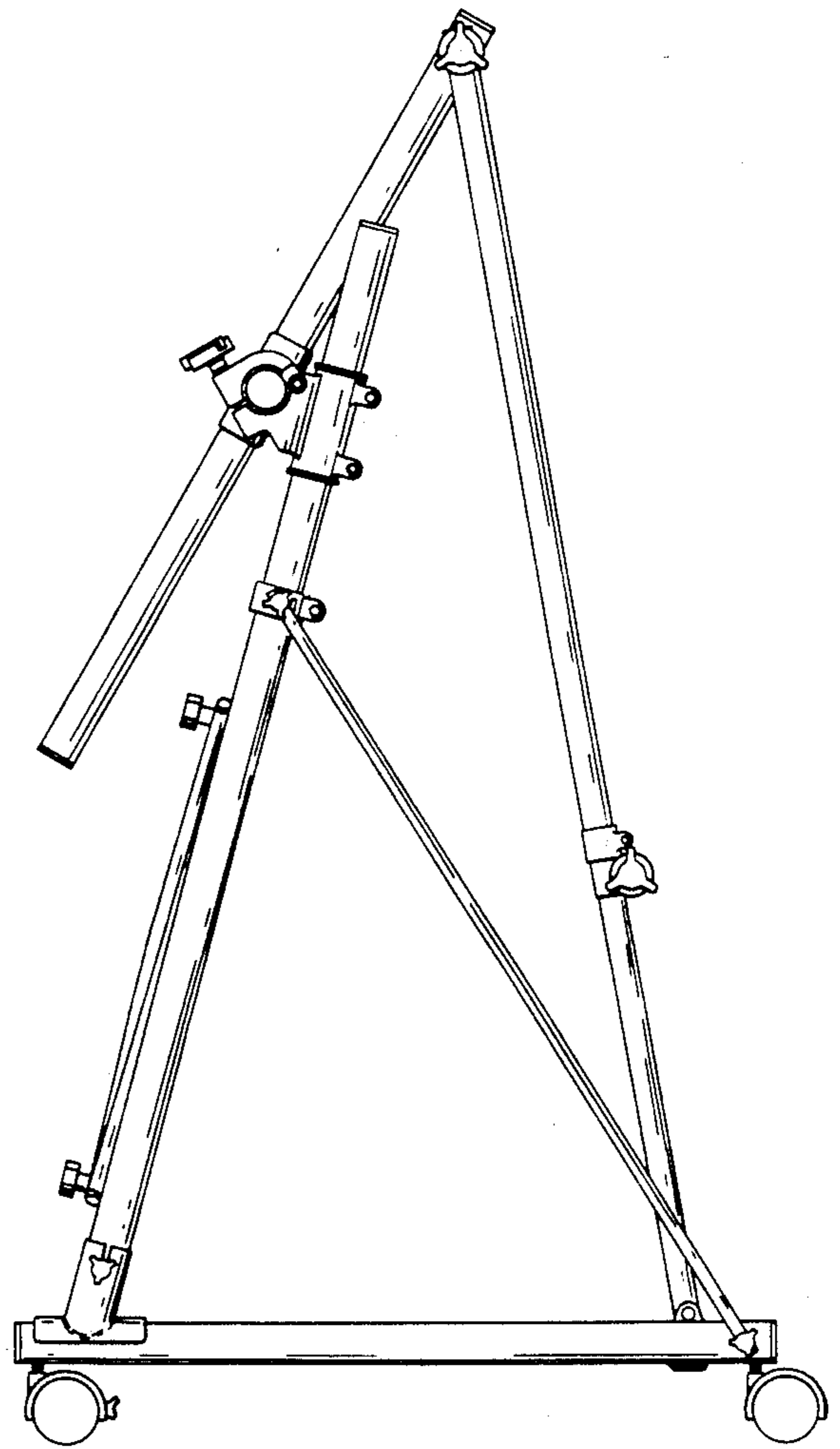
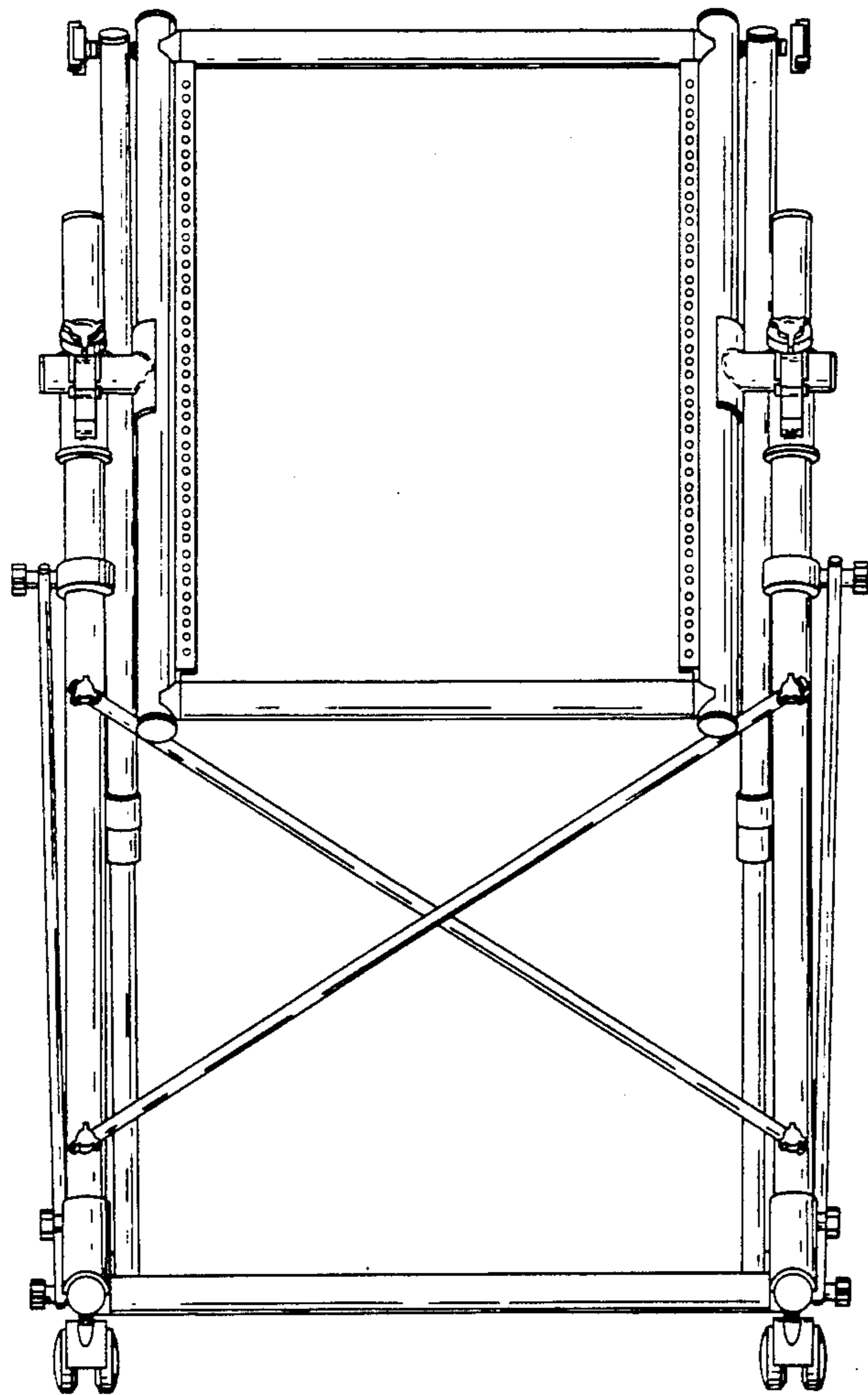


FIG. 1

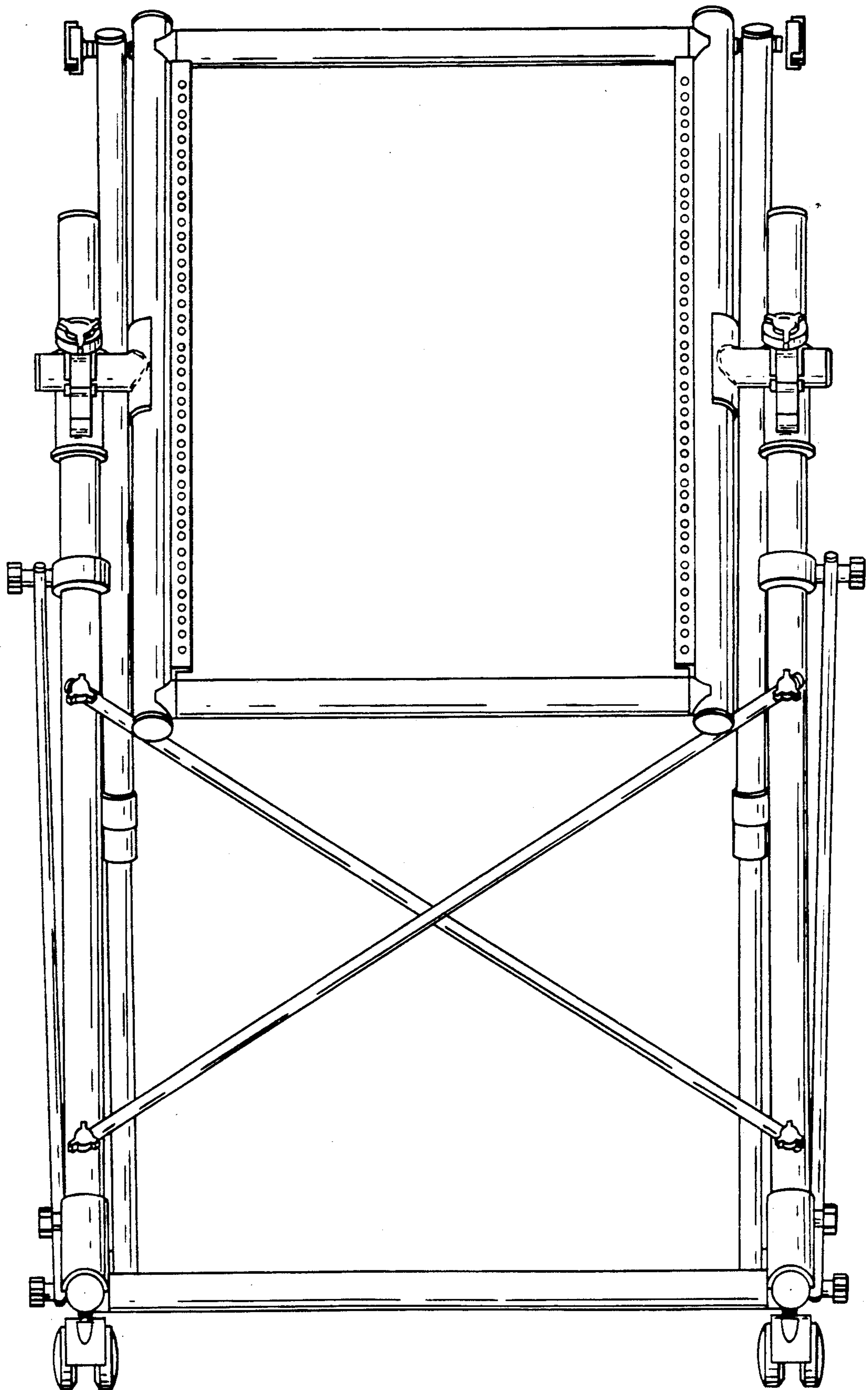


FIG. 2

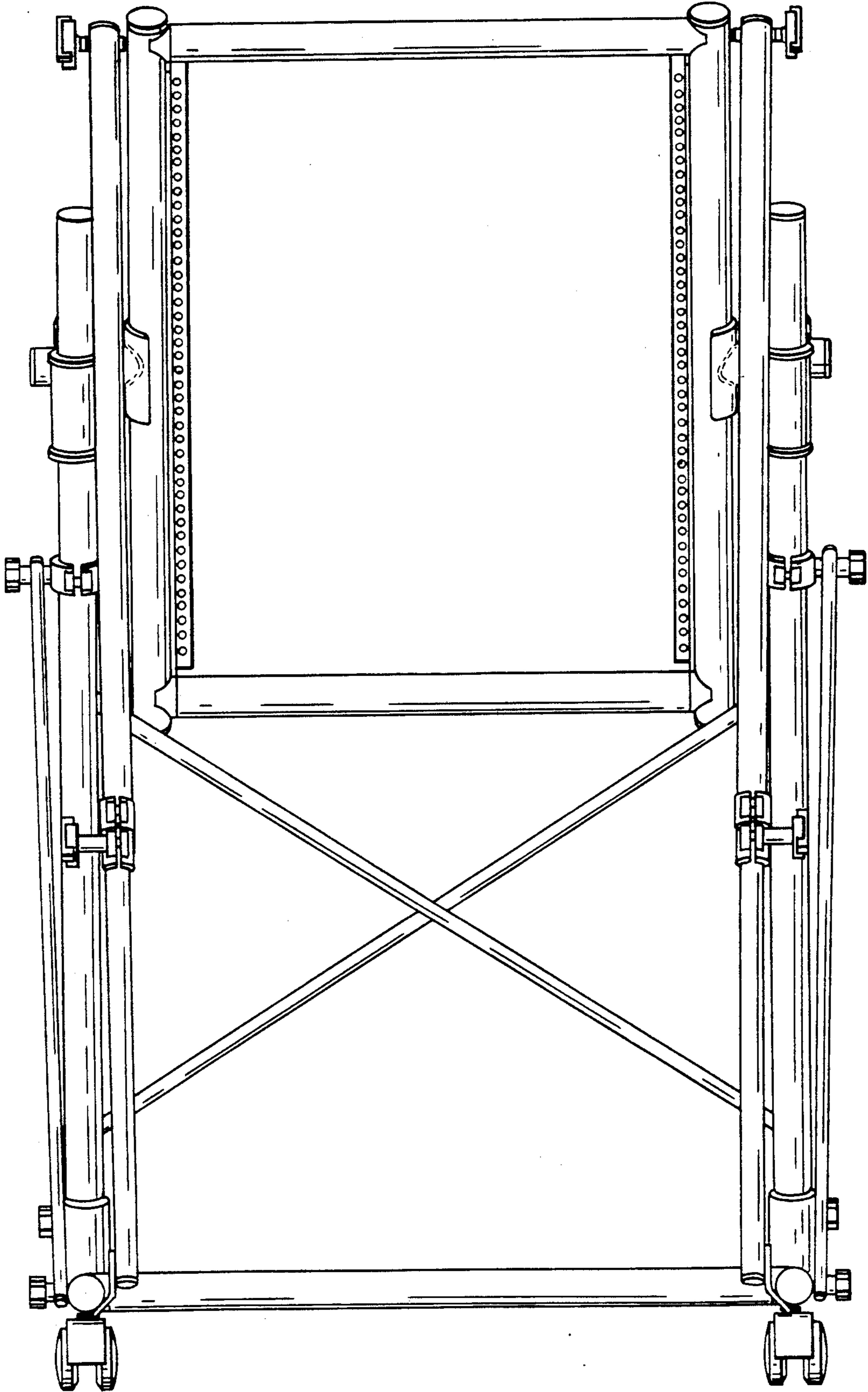


FIG. 3

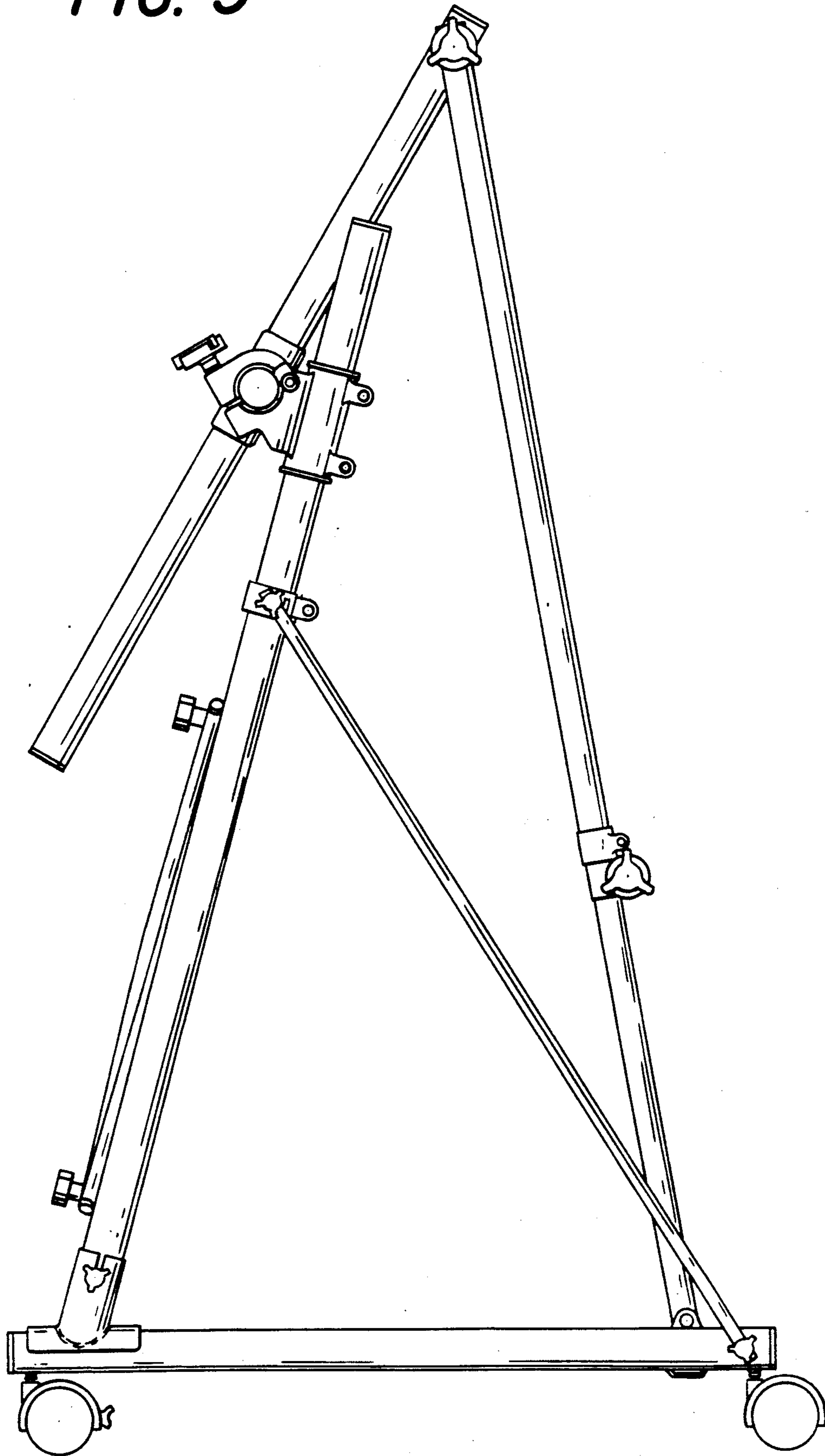


FIG. 4

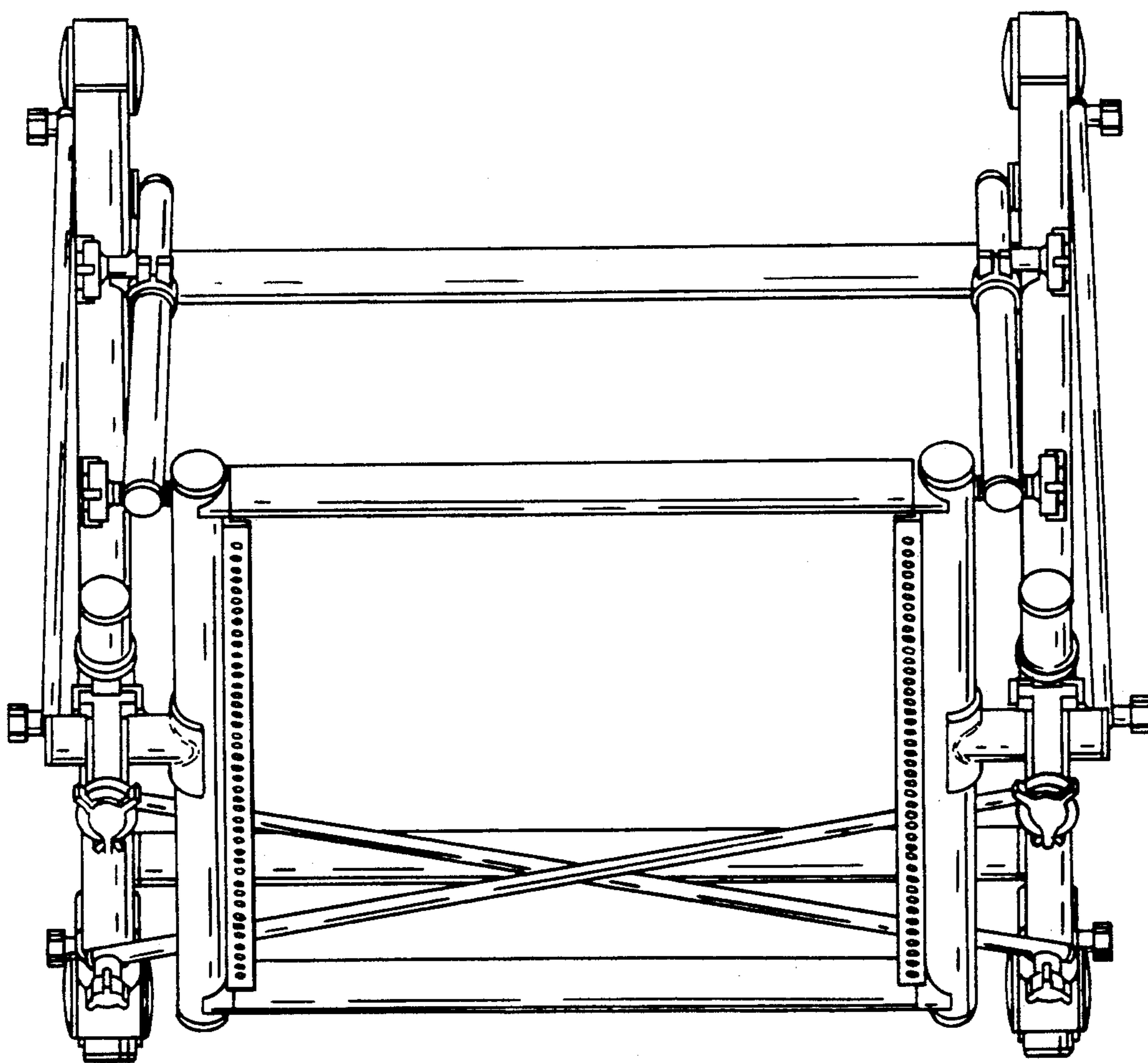


FIG. 5

