

[54] COLLAPSIBLE FOOD DISPLAY TRAY

4,084,699 4/1978 Koepke 220/531 X
4,496,037 1/1985 Spamer 220/555 X

[75] Inventors: James M. Snediker, Glenview, Ill.;
Daniel J. Oelschlaeger, Oak Creek,
Wis.

OTHER PUBLICATIONS

Lewisystem, 1/1983, p. 16, Shelf Boxes top of the page.

[73] Assignee: Chicago Show Printing Co., Morton
Grove, Ill.

Primary Examiner—Bernard Ansher
Assistant Examiner—Prabhakar Deshmukh
Attorney, Agent, or Firm—Neuman, Williams, Anderson
& Olson

[**] Term: 14 Years

[21] Appl. No.: 467,764

[57] CLAIM

The ornamental design for a collapsible food display
tray, as shown and described.

[22] Filed: Jan. 19, 1990

[52] U.S. Cl. D34/40

[58] Field of Search D34/40-46;
206/561, 557; 220/531, 555

DESCRIPTION

[56] References Cited

U.S. PATENT DOCUMENTS

D. 302,897	8/1989	Shchamorov et al.	D34/40
1,605,149	11/1926	Ulrich	220/531
2,010,746	8/1935	Straubel	220/531 X
2,249,548	7/1941	Swimmer	220/531
2,305,299	12/1942	Lombardini	220/531 X

FIG. 1 is a perspective view of the collapsible food
display tray showing our new design;
FIG. 2 is a top plan view thereof;
FIG. 3 is a right side elevation view thereof;
FIG. 4 is a front elevation view thereof;
FIG. 5 is a rear elevation view thereof;
FIG. 6 is a left side elevation view thereof; and
FIG. 7 is a bottom plan view thereof.

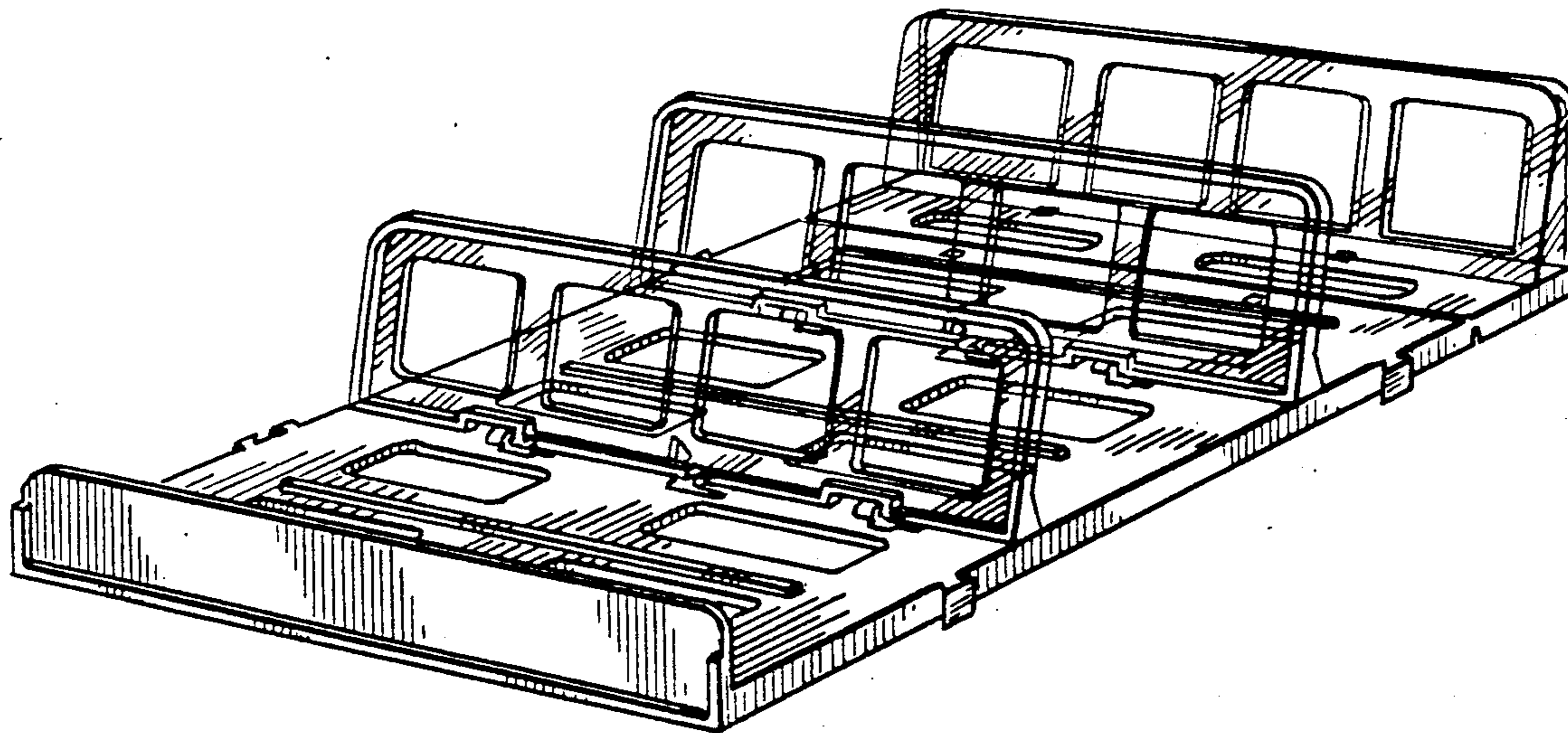


FIG. 1

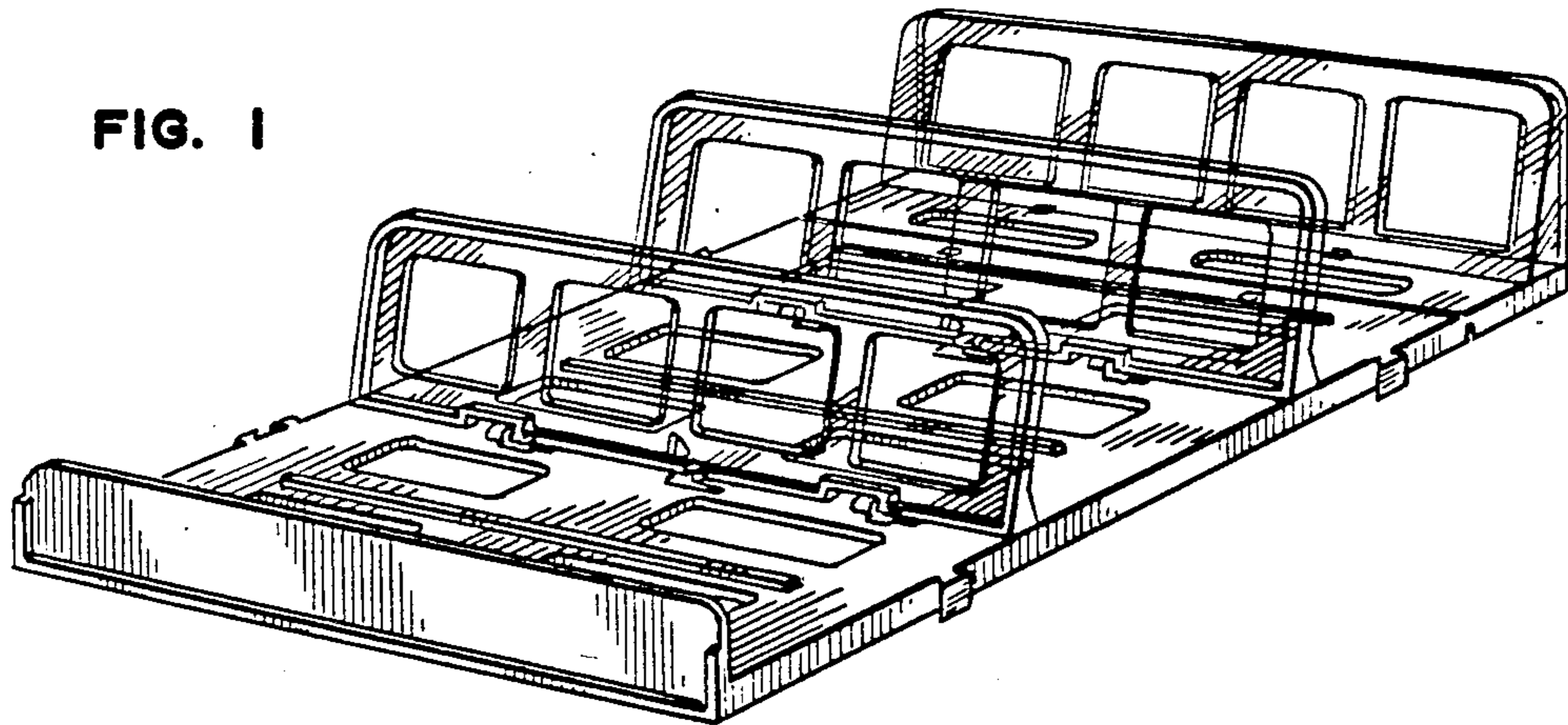


FIG. 2

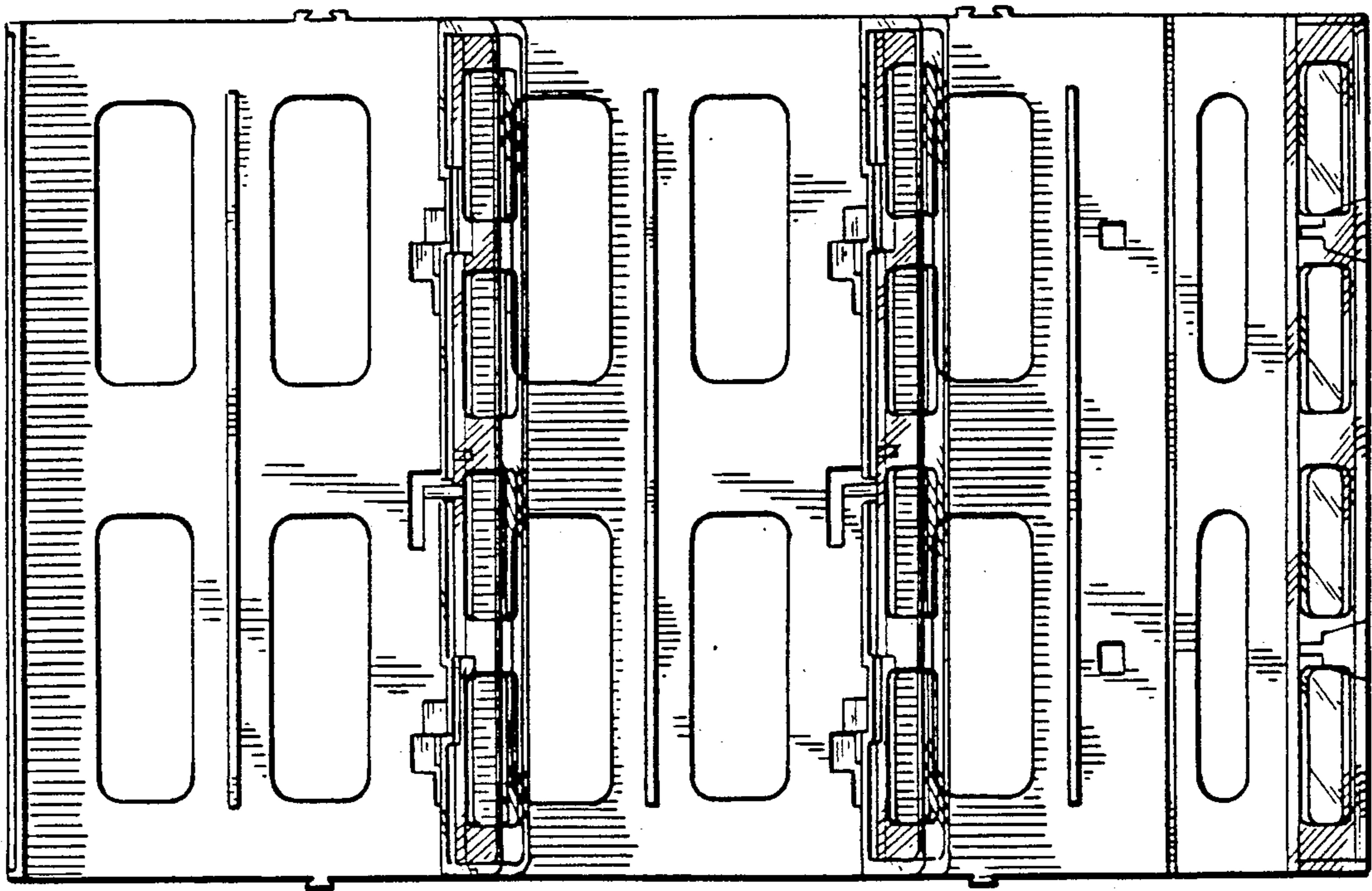


FIG. 3

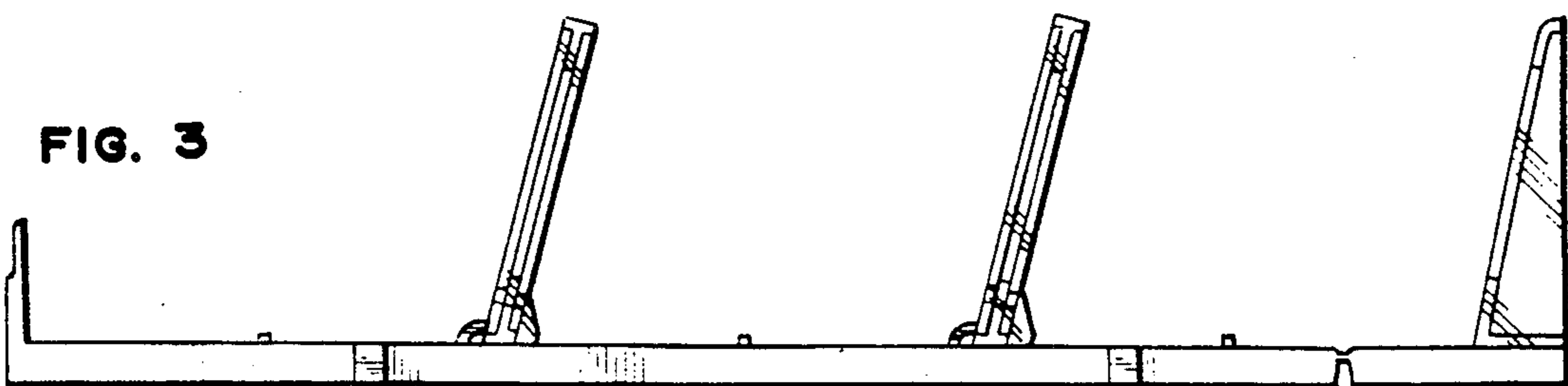


FIG. 4

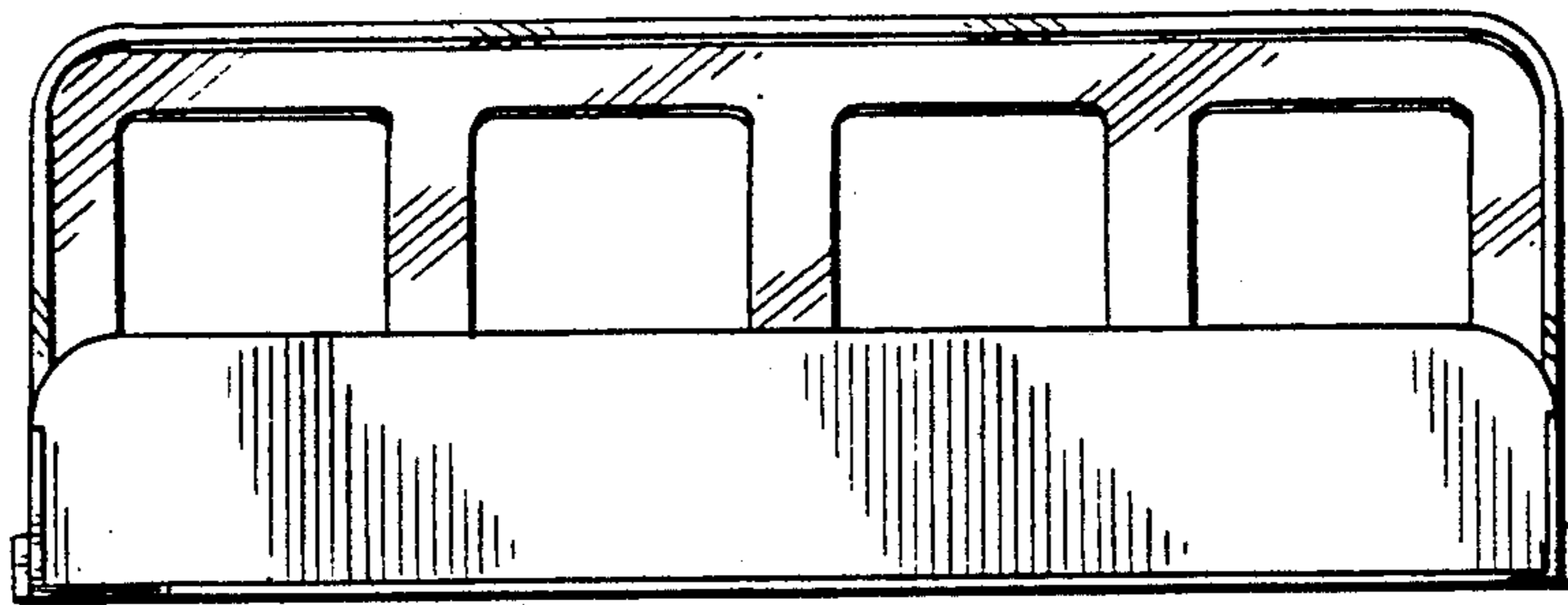


FIG. 5

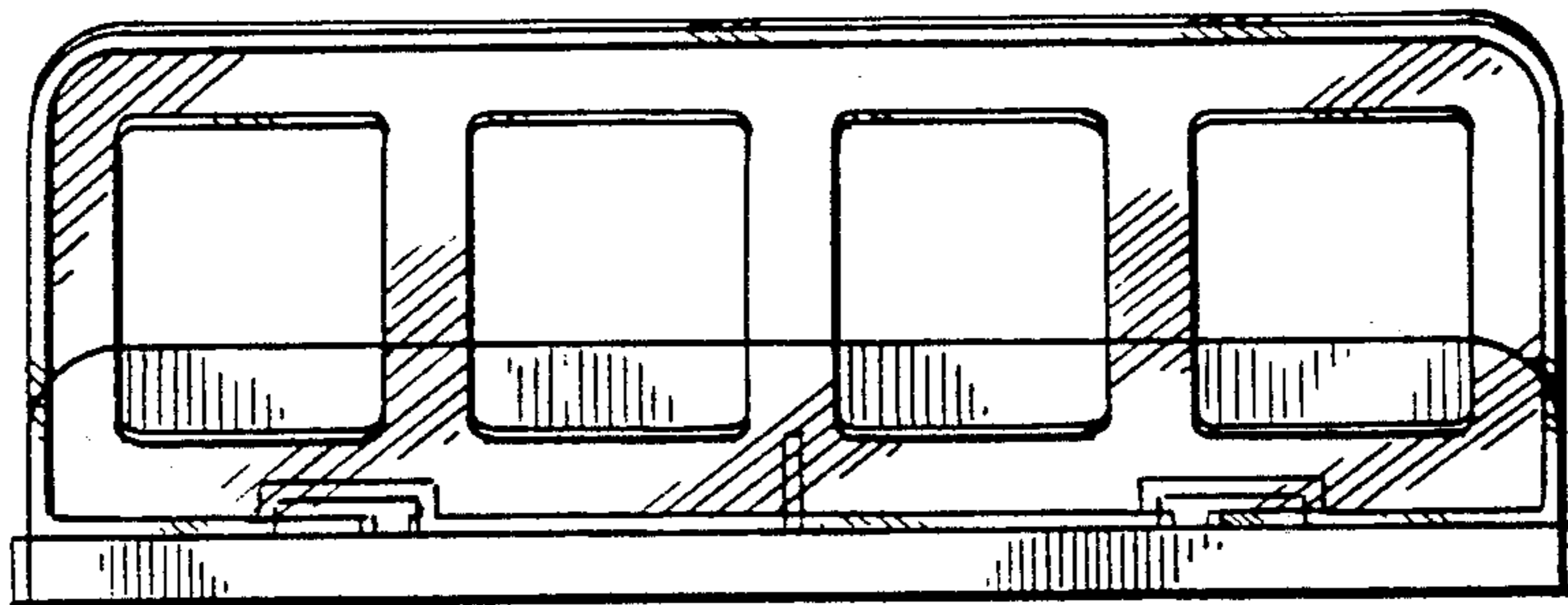


FIG. 6

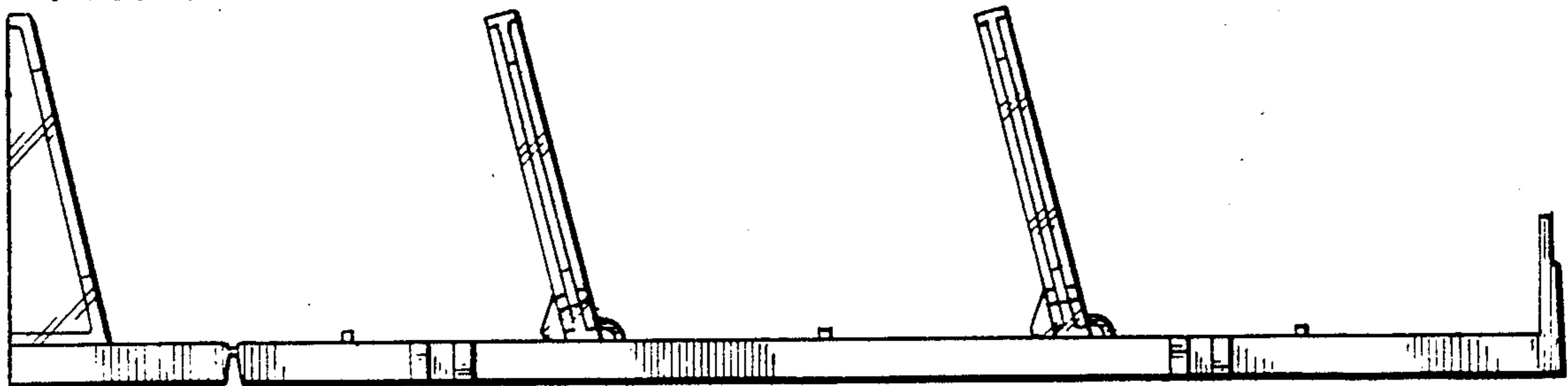


FIG. 7

