

# United States Patent [19]

Fountain

[11] Patent Number: **Des. 319,907**

[45] Date of Patent: **\*\* Sep. 10, 1991**

[54] FISHERMAN'S CART

[76] Inventor: **Alton V. Fountain**, 101 Kilarny Rd.,  
Wilmington, N.C. 28409

[\*\*] Term: **14 Years**

[21] Appl. No.: **415,530**

[22] Filed: **Oct. 2, 1989**

[52] U.S. Cl. .... **D34/26; D34/24**

[58] Field of Search ..... **D34/12, 24, 25, 26;**  
**280/47.24, 47.26, 652, 63, 47.33**

[56] **References Cited**

### U.S. PATENT DOCUMENTS

2,744,763	5/1956	Carter	280/47.33
2,757,937	8/1956	Illsley	280/47.26
4,316,615	2/1982	Willette	280/47.26

### FOREIGN PATENT DOCUMENTS

1052667	1/1954	France	280/47.26
572455	1/1958	Italy	280/47.26

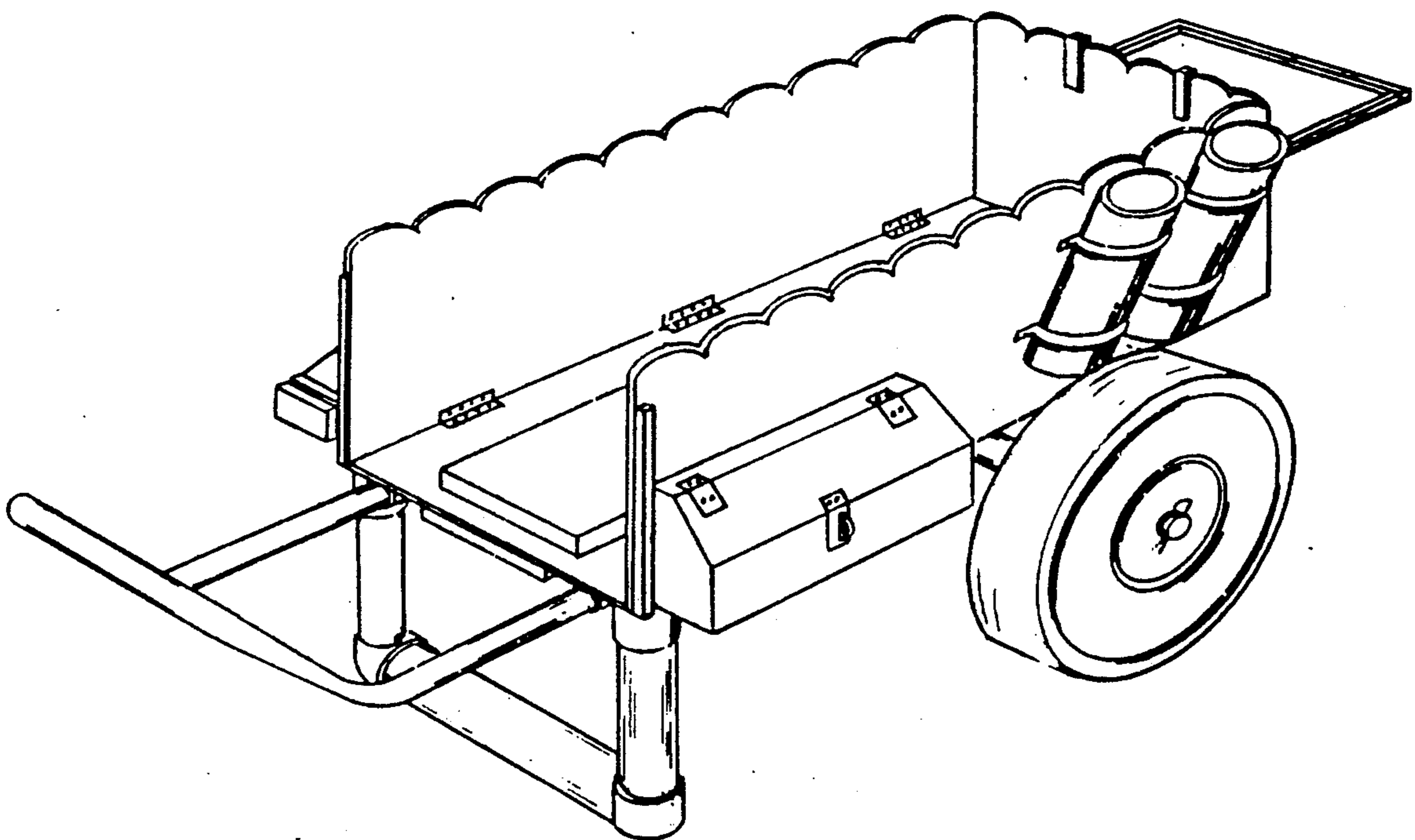
*Primary Examiner*—**Kay H. Chin**

[57] **CLAIM**

The ornamental design for a fisherman's cart, as shown and described.

### DESCRIPTION

FIG. 1 is a front elevation view of a fisherman's cart showing my new design;  
FIG. 2 is a rear elevation view thereof;  
FIG. 3 is a right side elevation view thereof;  
FIG. 4 is a left side elevational view thereof;  
FIG. 5 is a top plan view thereof;  
FIG. 6 is a bottom plan view thereof;  
FIG. 7 is a top perspective view thereof and  
FIG. 8 is a bottom perspective view thereof.



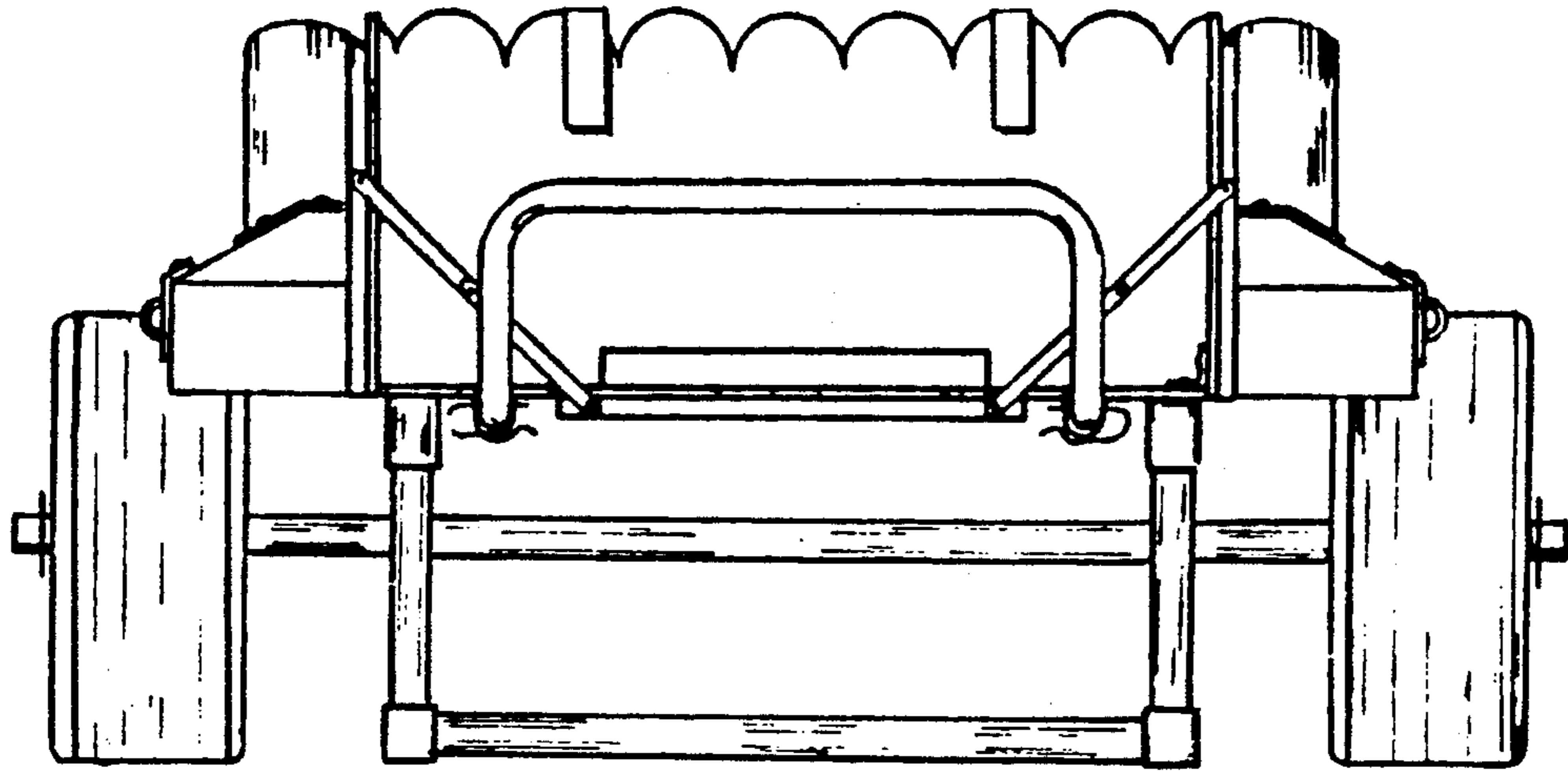


FIG. 1

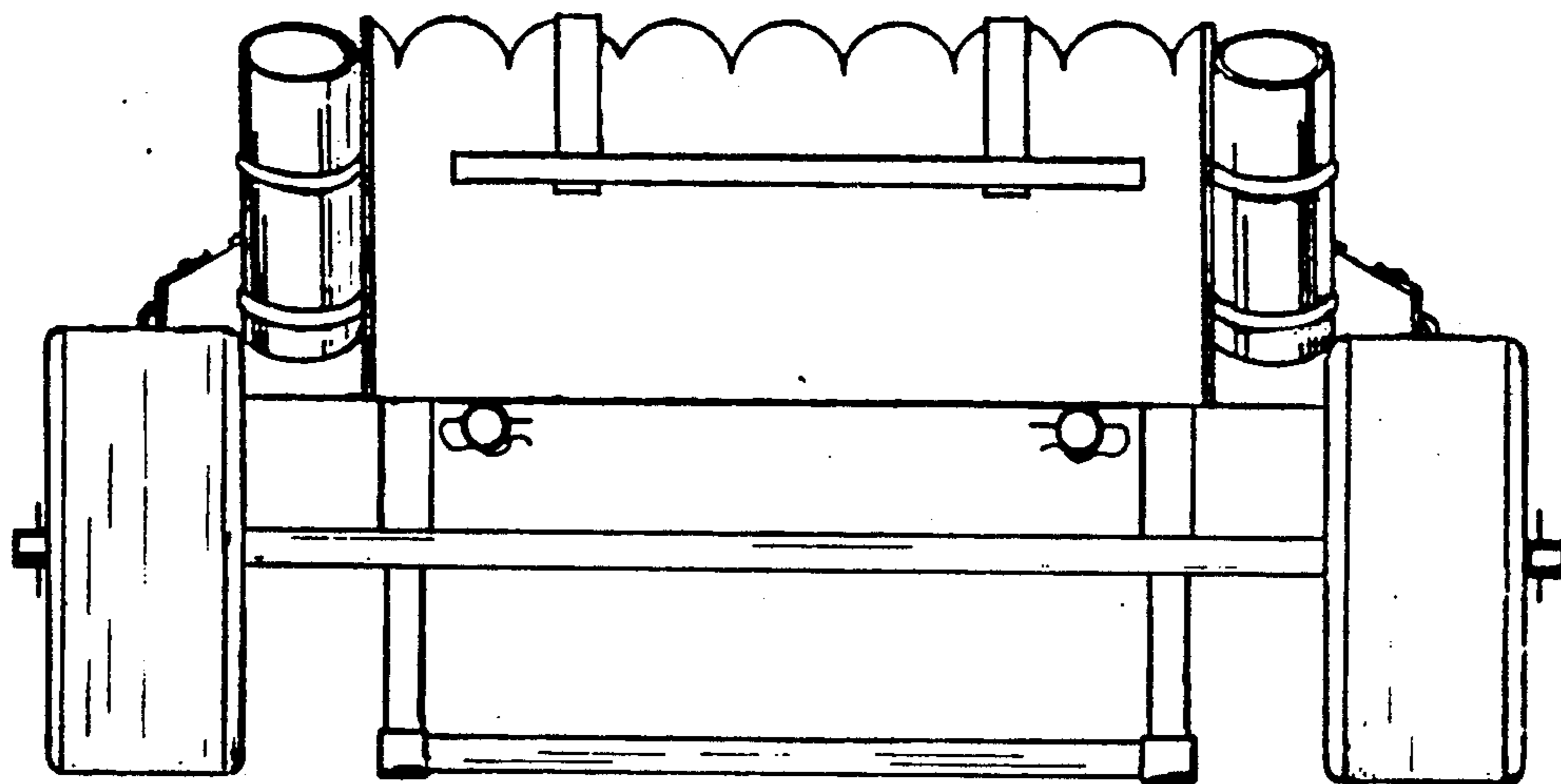


FIG. 2

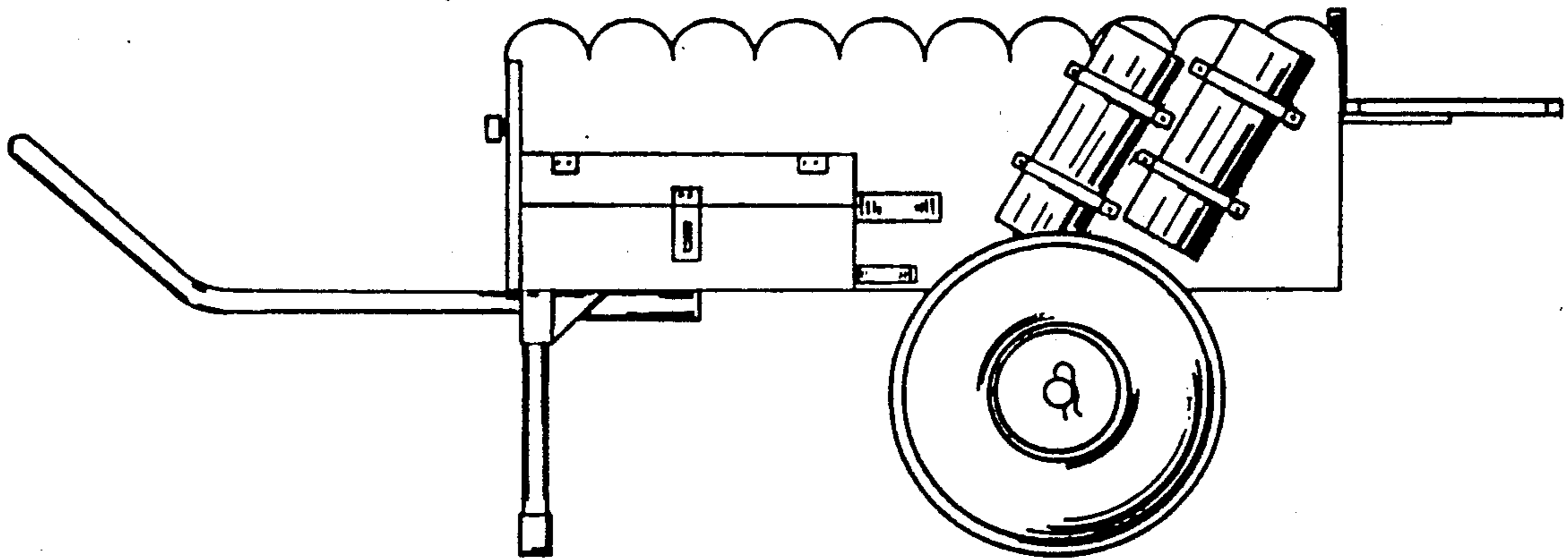


FIG. 3

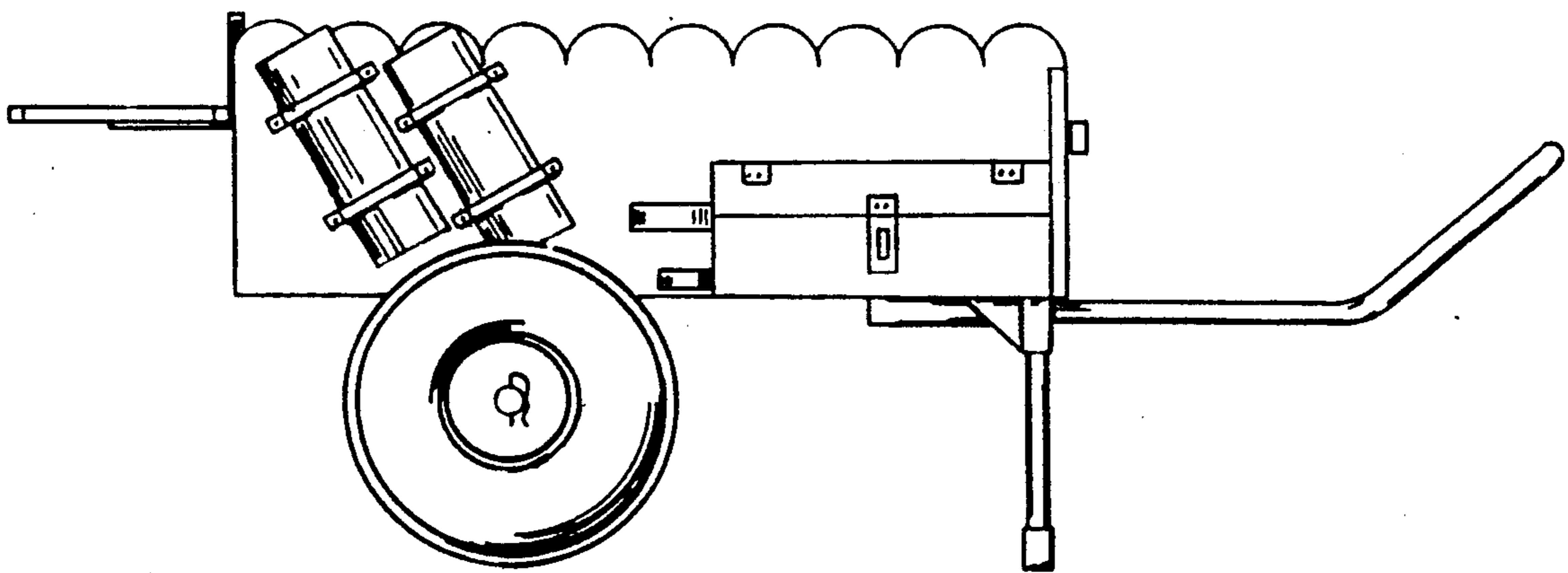


FIG. 4

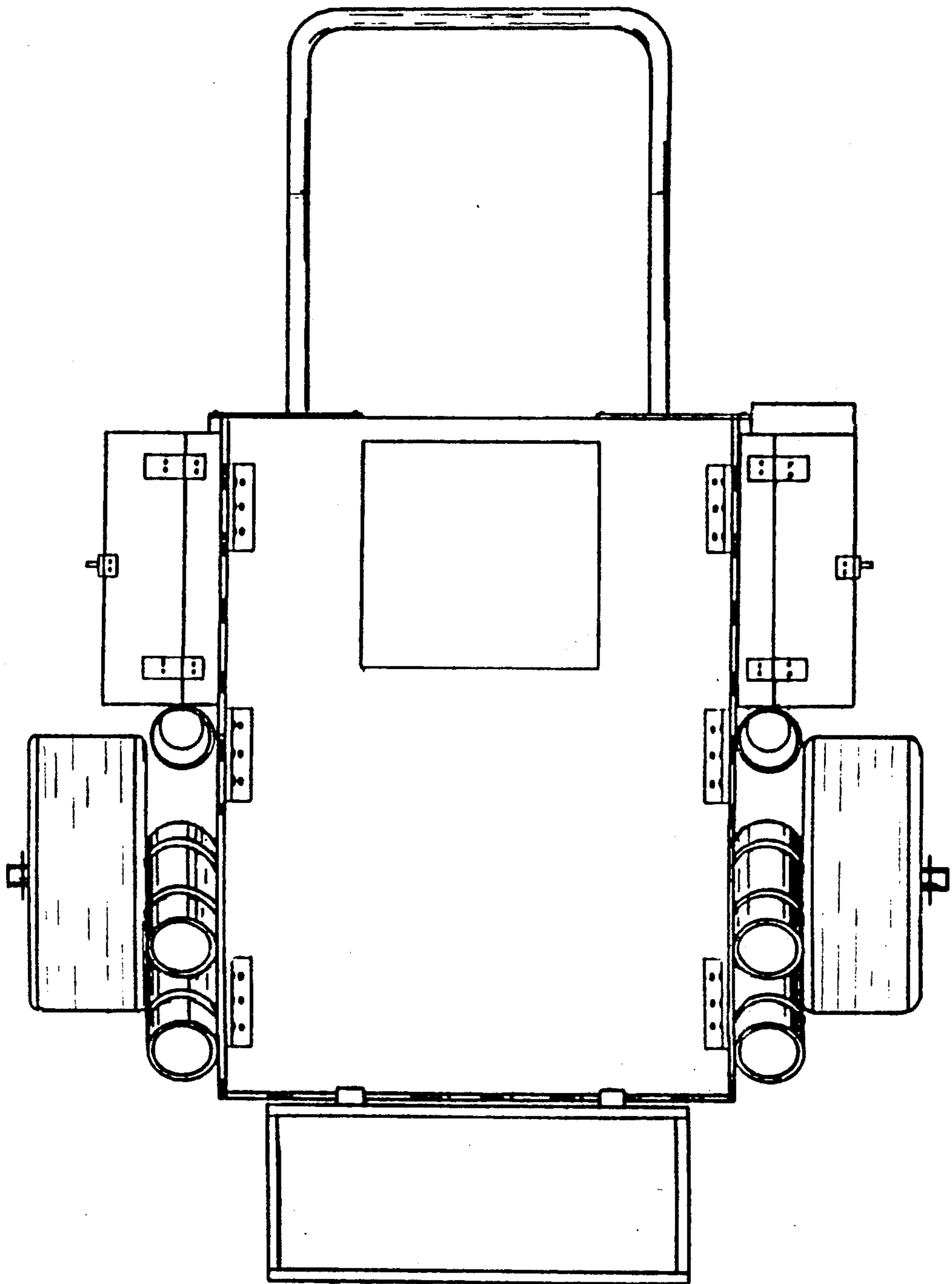


FIG. 5

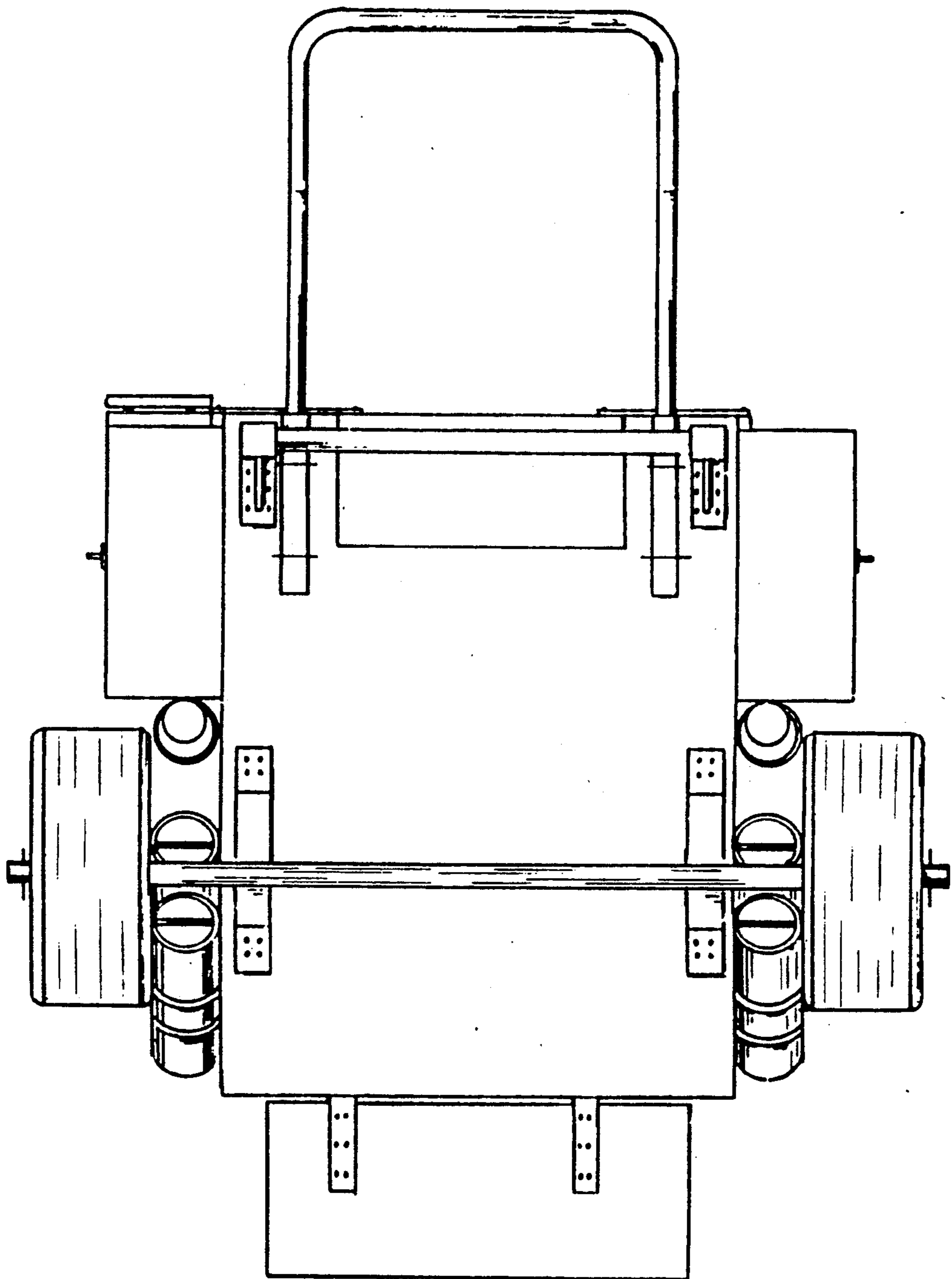


FIG. 6

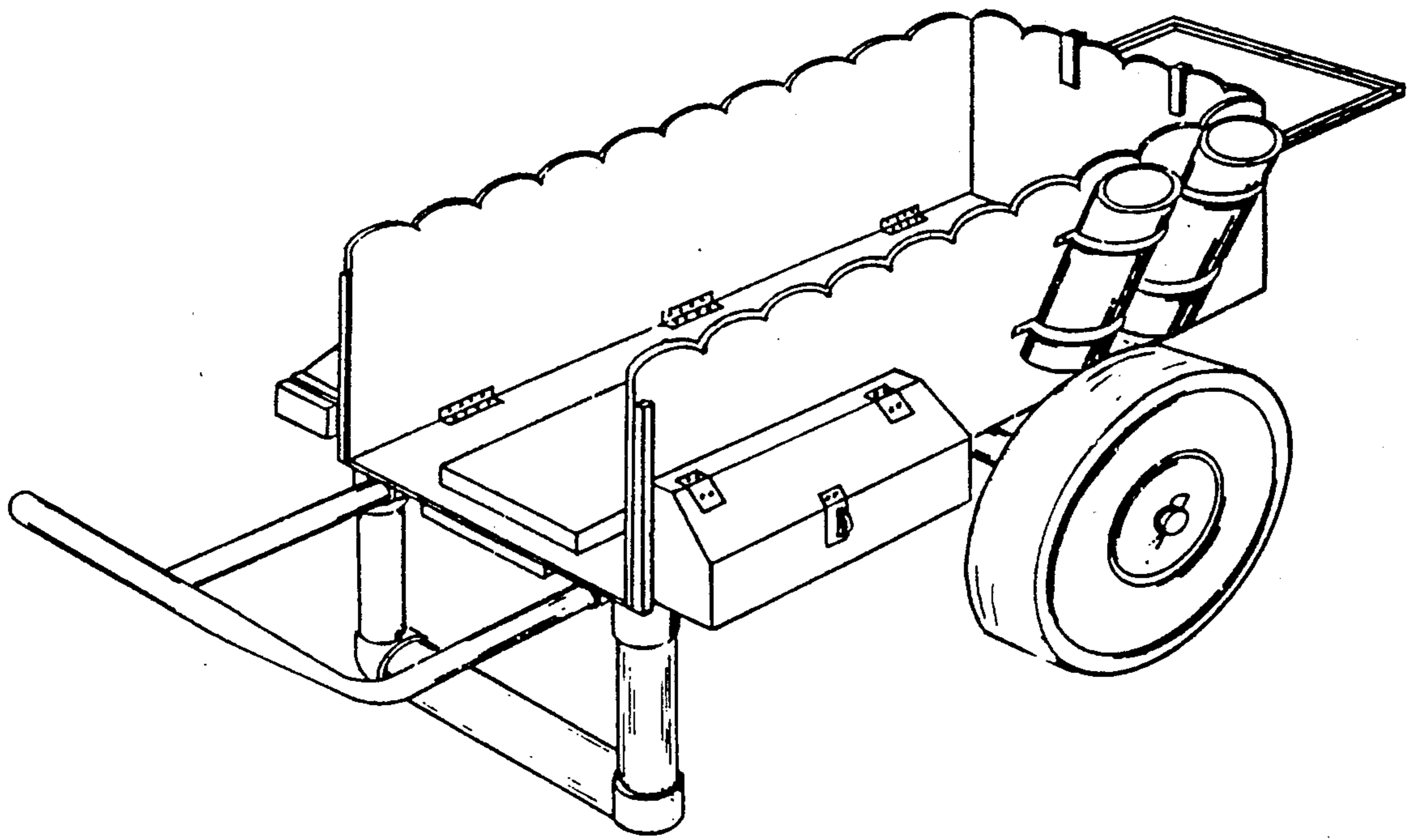


FIG. 7



FIG. 8

