

[54] HANDLE ATTACHMENT FOR GARDENER'S AIR BLOWER

[76] Inventor: Raymone E. Russell, P.O. Box 282, Grenada, Calif. 96038

[\*\*] Term: 14 Years

[21] Appl. No.: 421,571

[22] Filed: Oct. 10, 1989

[52] U.S. Cl. .... D32/15; D32/32; D15/13

[58] Field of Search ..... D15/10-14, D15/17, 28; D32/15, 32; 56/233, 255, 320.2; 239/127, 304, 683-687, 754; D3/73

[56] References Cited

U.S. PATENT DOCUMENTS

D. 287,896	1/1987	Genoa et al. ....	D32/32
D. 307,956	5/1990	Everts .....	D32/15
D. 309,309	7/1990	Sundheim et al. ....	D15/13
4,644,606	2/1987	Luerken .....	D32/15

OTHER PUBLICATIONS

Toro Catalog 1983, p. 26, Model 51540, bottom.  
The Green Machine, center pic.  
Hardware Age, vol. 220, Dec. 1983, p. 472, Model 6000, upper right.

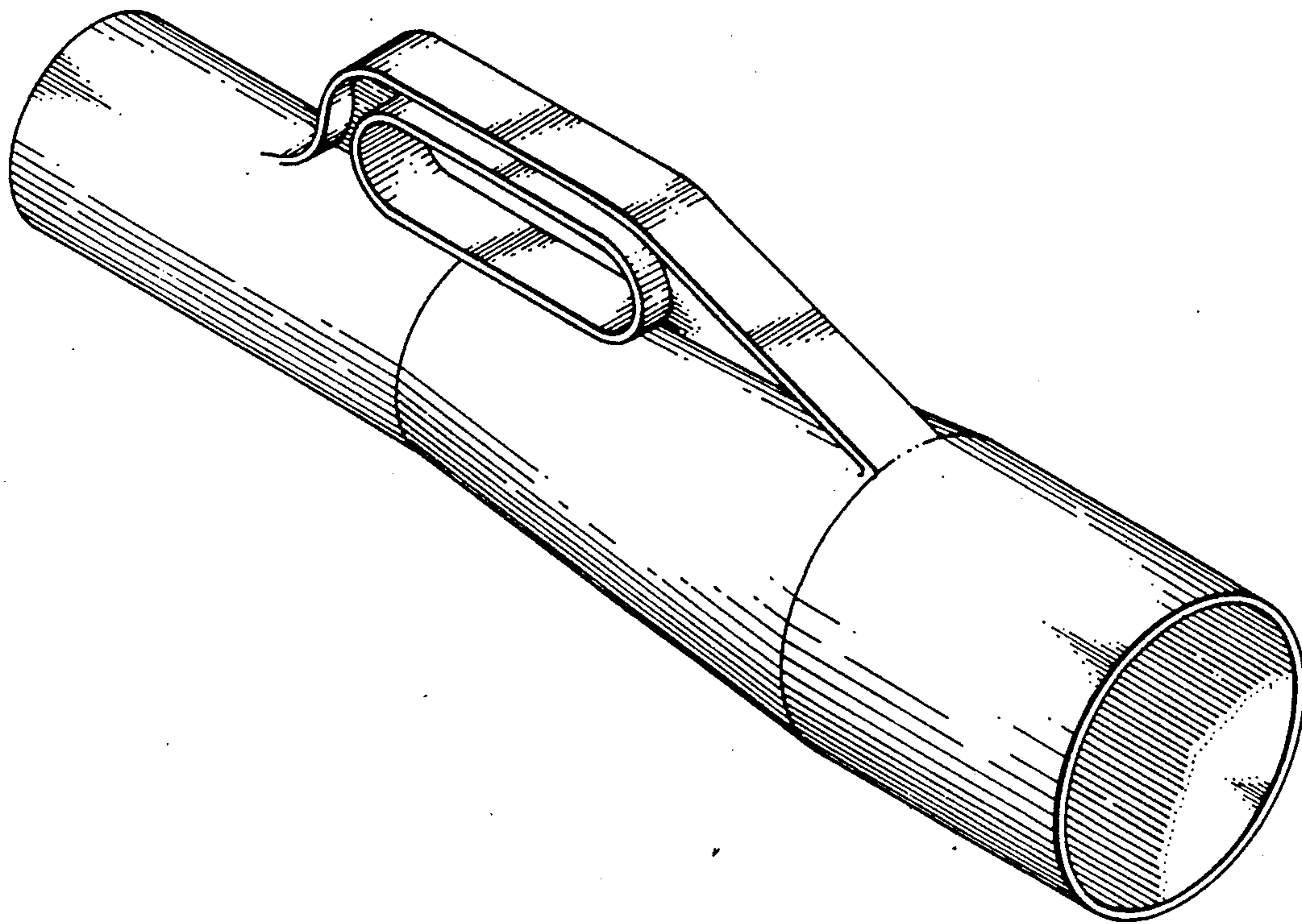
Primary Examiner—B. J. Bullock  
Assistant Examiner—Sandra Morris  
Attorney, Agent, or Firm—Lothrop & West

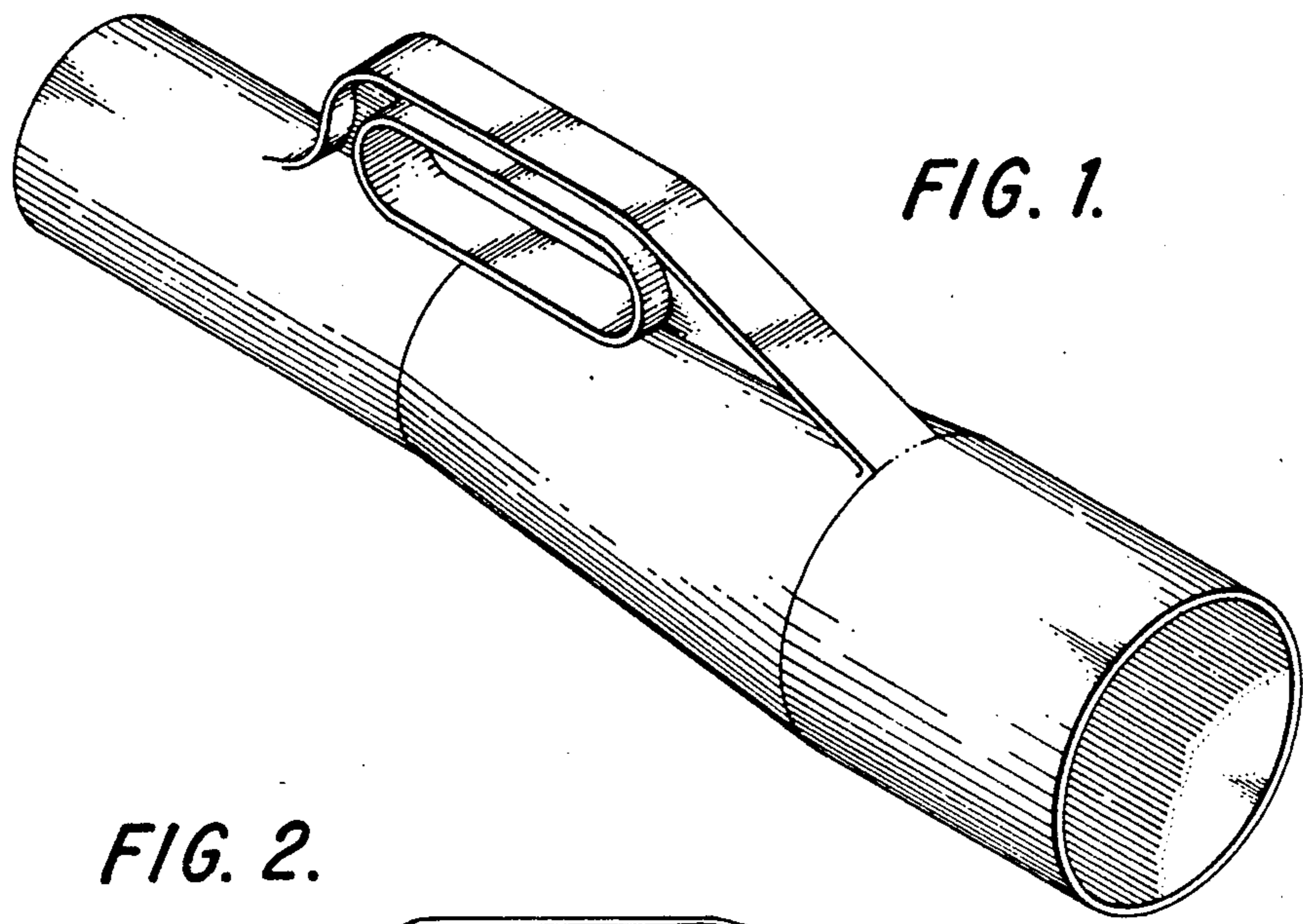
[57] CLAIM

The ornamental design for a handle attachment for gardener's air blower, as shown and described.

DESCRIPTION

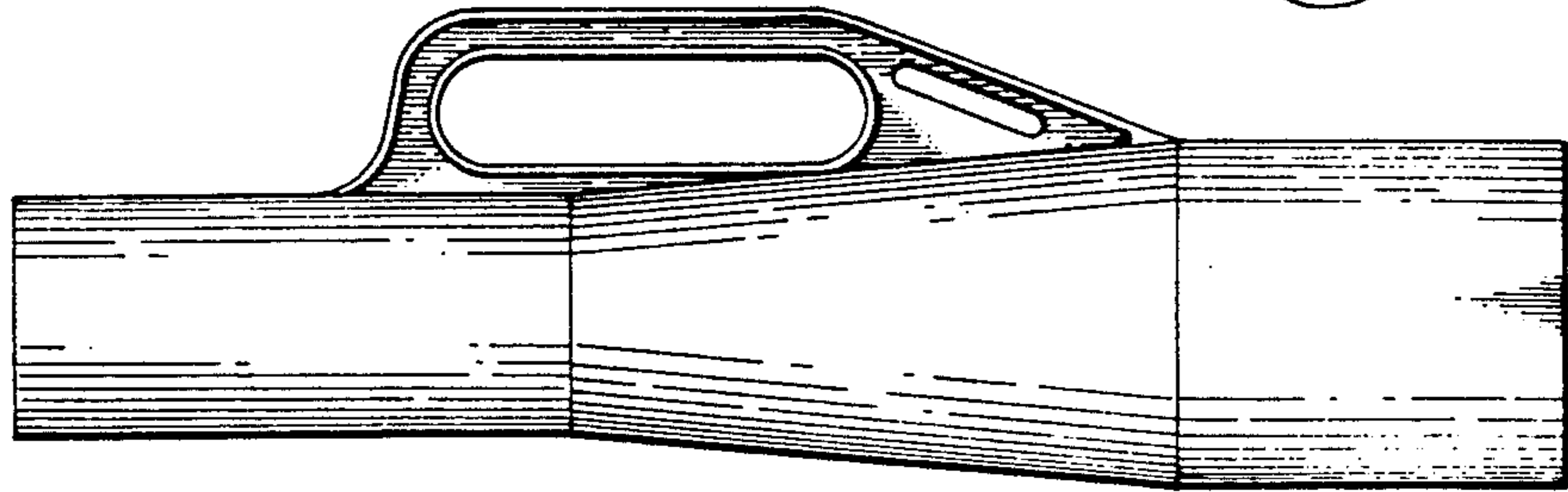
FIG. 1 is a perspective view of a handle attachment for gardener's air blower, showing my new design;  
FIG. 2 is a left side elevational view thereof, the right side being a mirror image;  
FIG. 3 is a top plan view thereof;  
FIG. 4 is a bottom plan view thereof;  
FIG. 5 is a rear end elevational view thereof;  
FIG. 6 is a front end elevational view thereof.



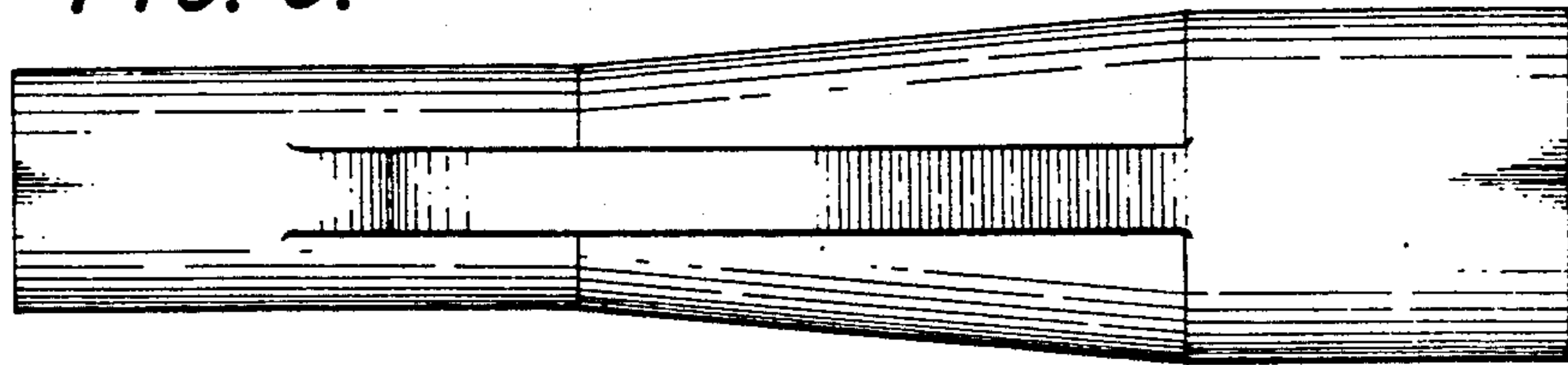


*FIG. 1.*

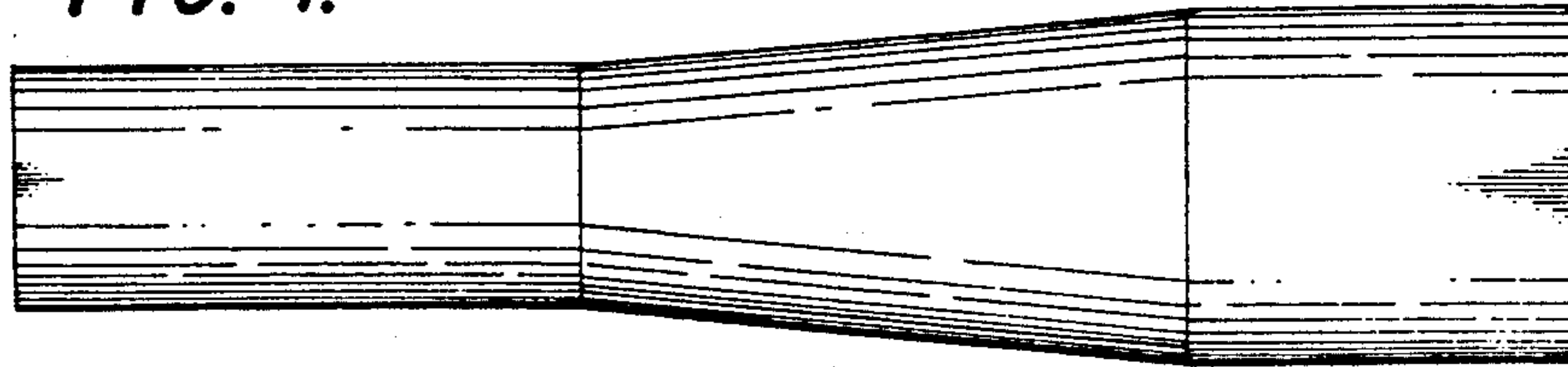
*FIG. 2.*



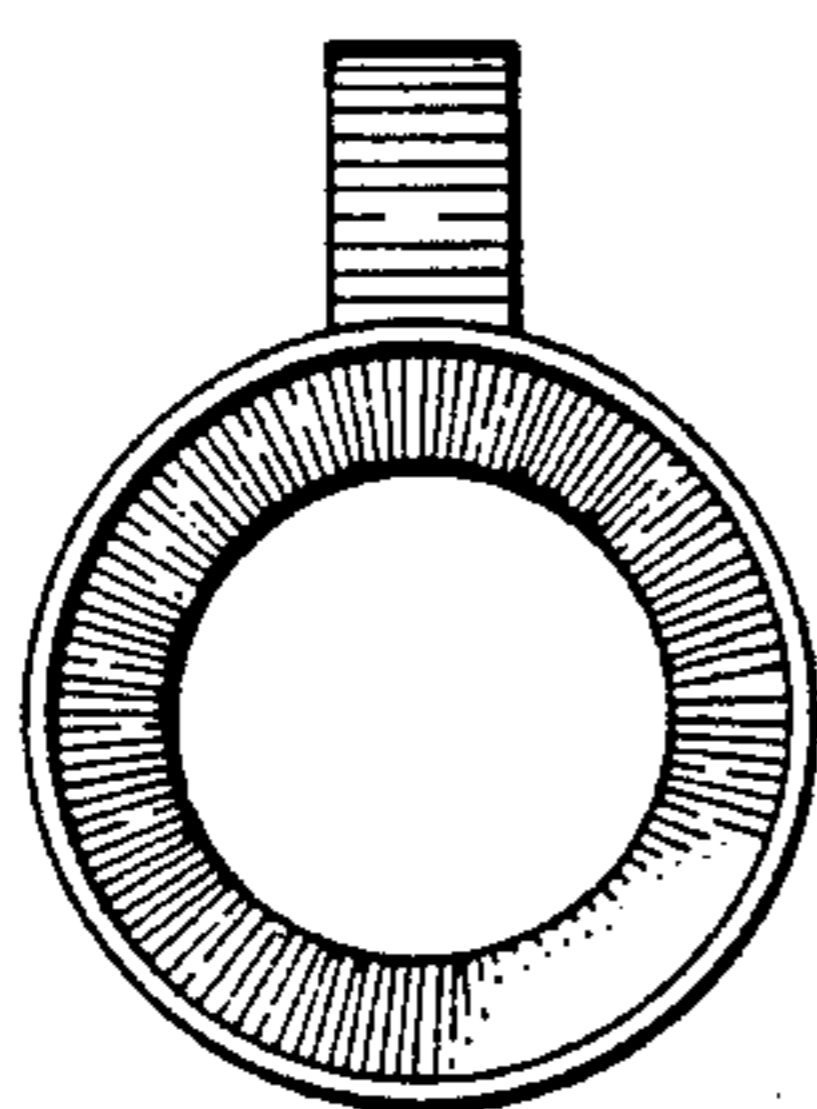
*FIG. 3.*



*FIG. 4.*



*FIG. 5.*



*FIG. 6.*

