

[54] VISOR ATTACHMENT FOR SAFETY HELMETS

[75] Inventor: Martin Pernicka, Montreal, Canada

[73] Assignee: Institut de Recherche en Santé et an Sécurité du Travail du Quebec, Montreal, Canada

[**] Term: 14 Years

[21] Appl. No.: 363,942

[22] Filed: May 30, 1989

[52] U.S. Cl. D29/16

[58] Field of Search D29/14, 17, 16; D2/247; 2/10, 9, 12, 424

[56] References Cited

U.S. PATENT DOCUMENTS

D. 168,736 2/1953 Cooper et al. D2/247

2,798,222 7/1957 Evans et al. D29/16 X
3,369,255 2/1968 Bolle D29/17 X
4,117,553 10/1978 Bay 2/10
4,856,109 8/1989 Desy et al. 2/9

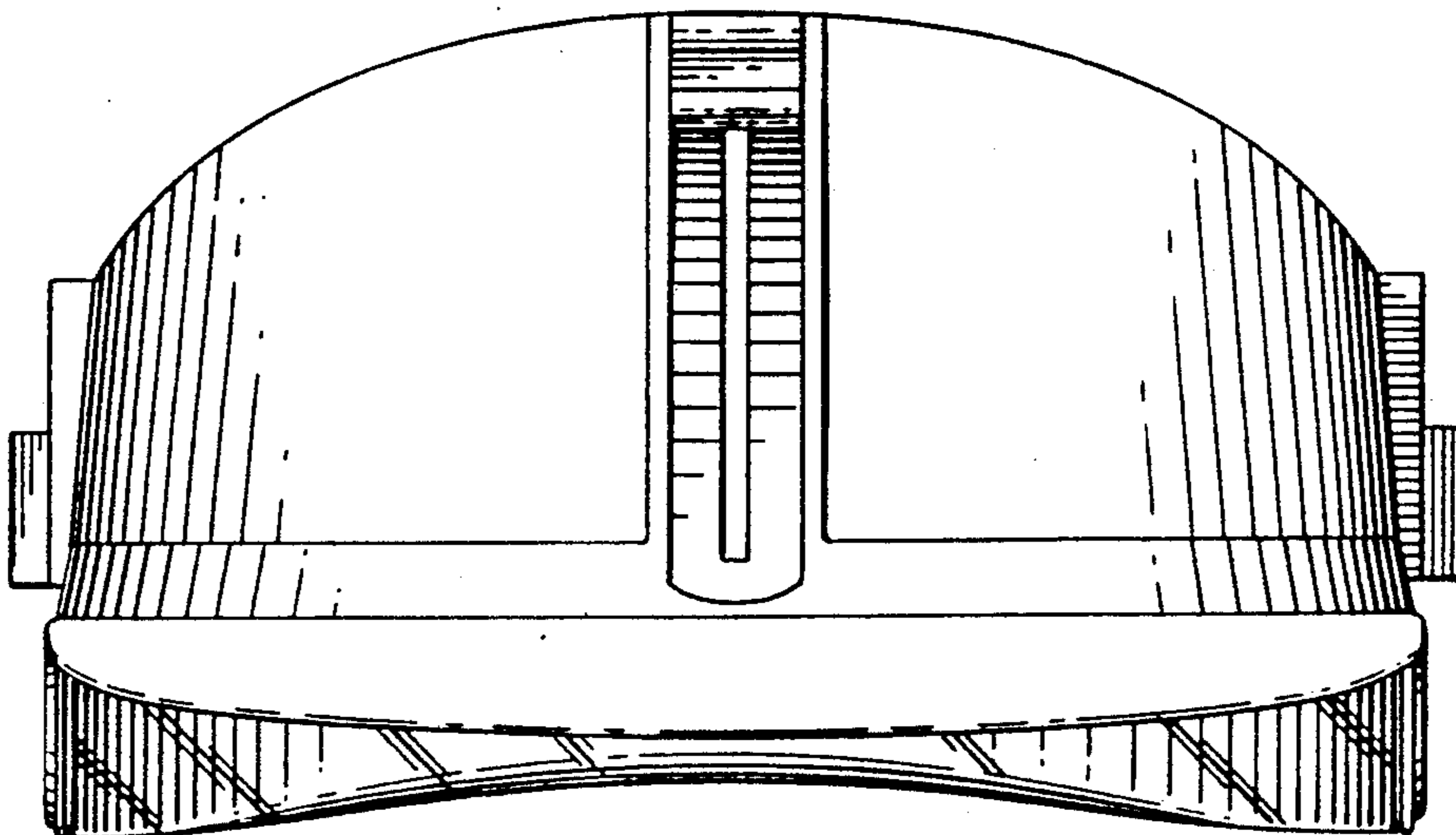
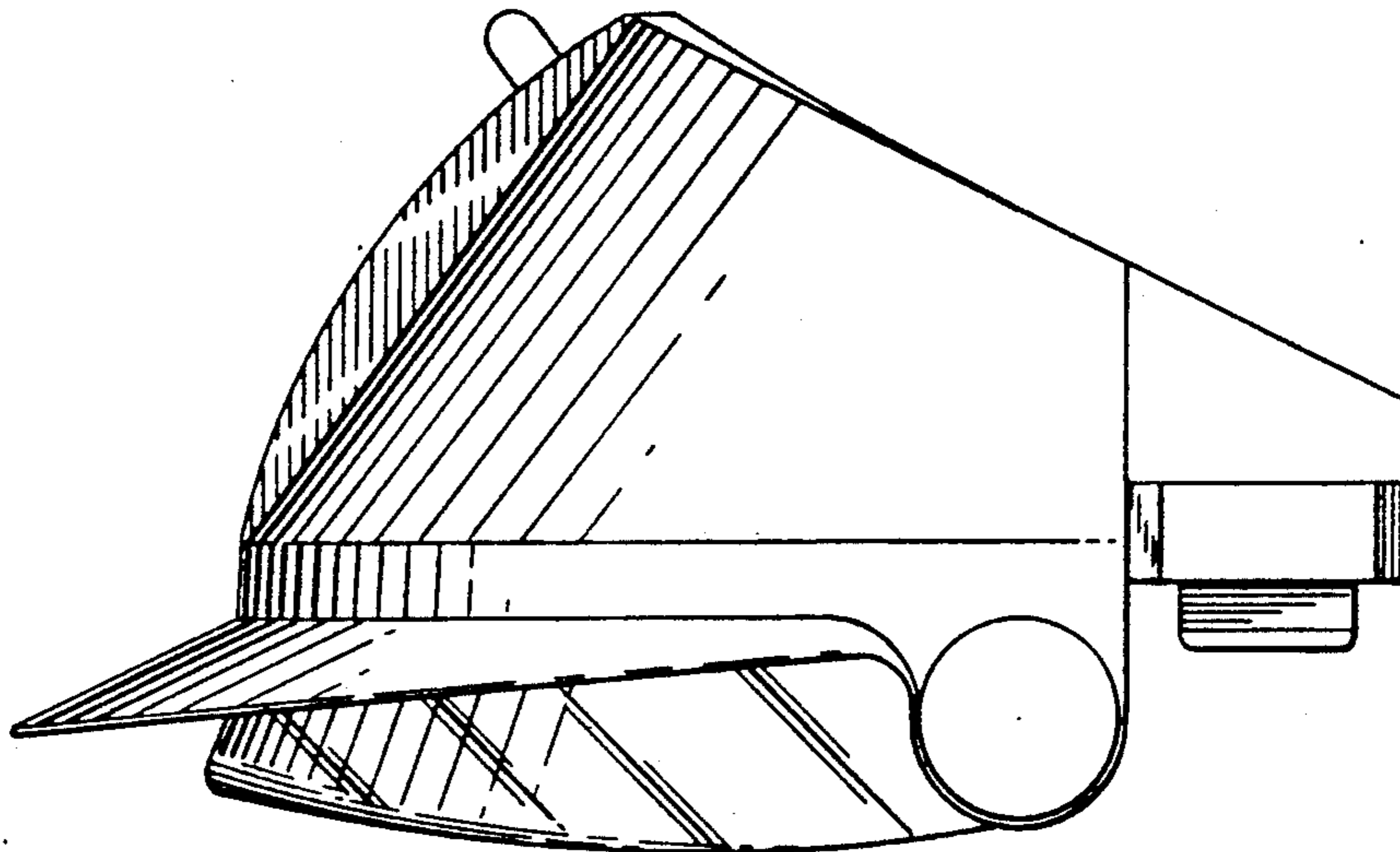
Primary Examiner—A. Hugo Word
Assistant Examiner—Paula Allen
Attorney, Agent, or Firm—Jean H. Dubuc

[57] CLAIM

The ornamental design for a visor attachment for safety helmets, as shown and described.

DESCRIPTION

FIG. 1 is a side elevational view of a visor attachment for safety helmets showing my new design; FIG. 2 is a front elevational view thereof; FIG. 3 is a rear elevational view thereof; FIG. 4 is a top plan view thereof; and FIG. 5 is a bottom plan view thereof.



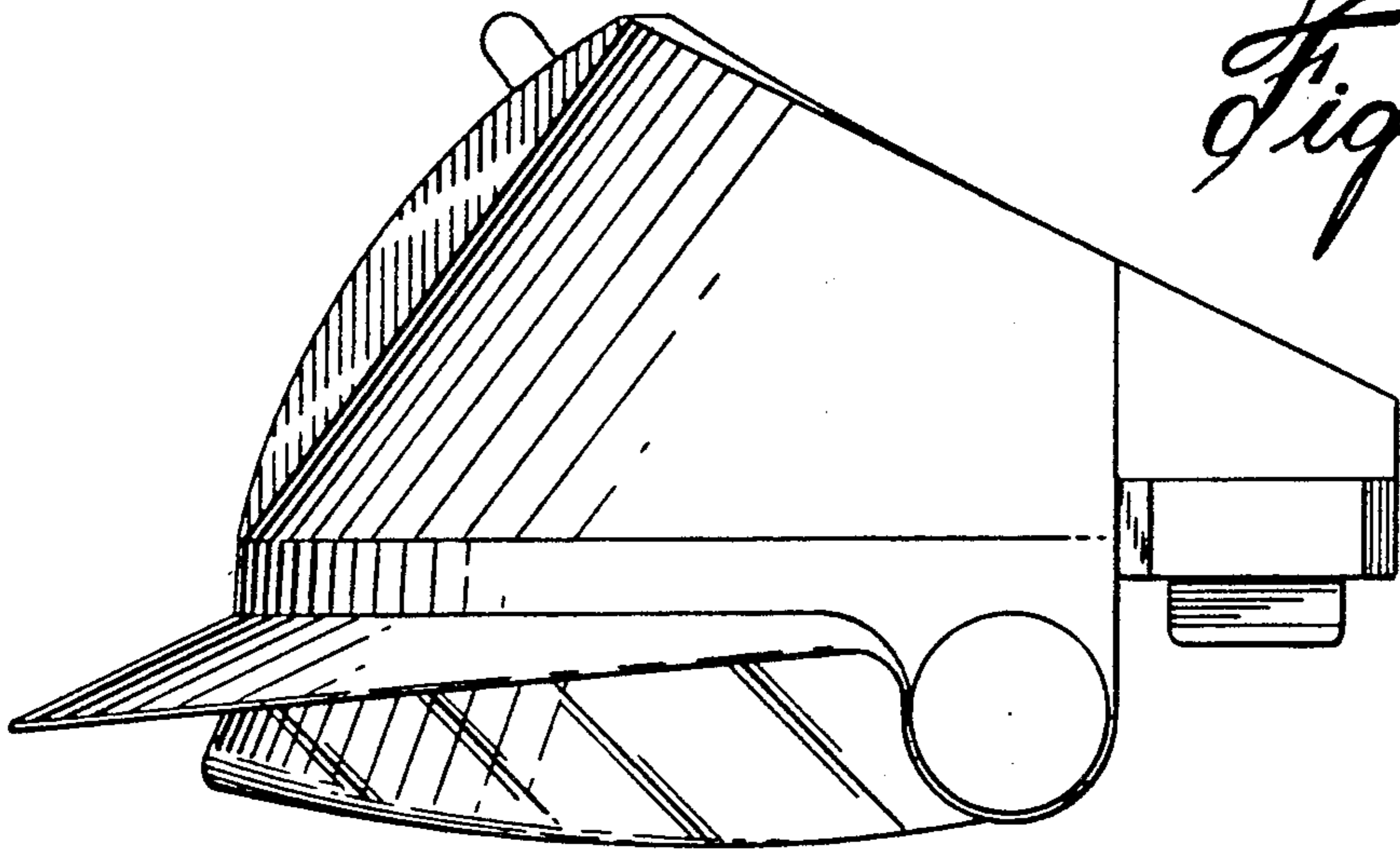


Fig. 1

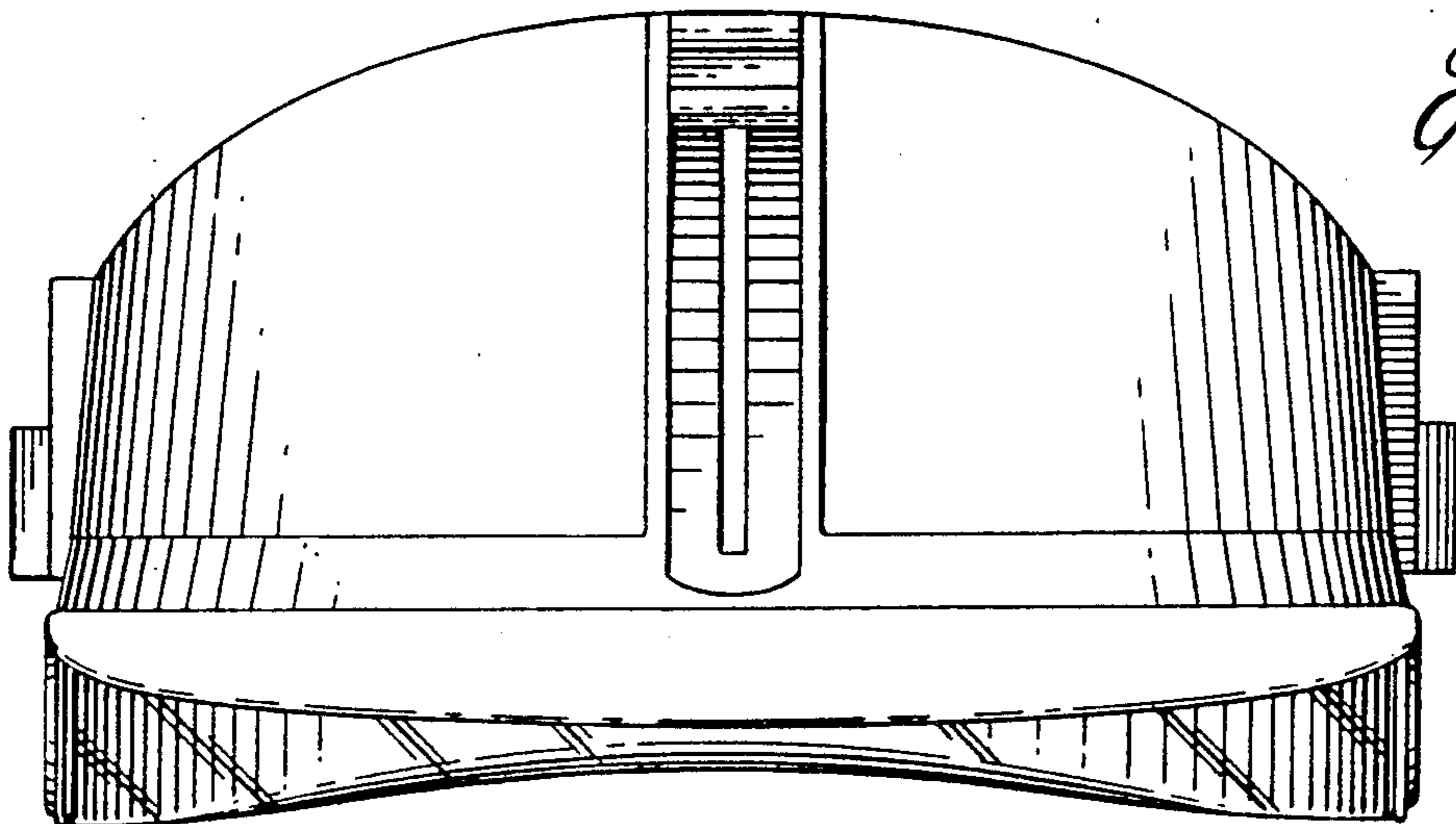


Fig. 2

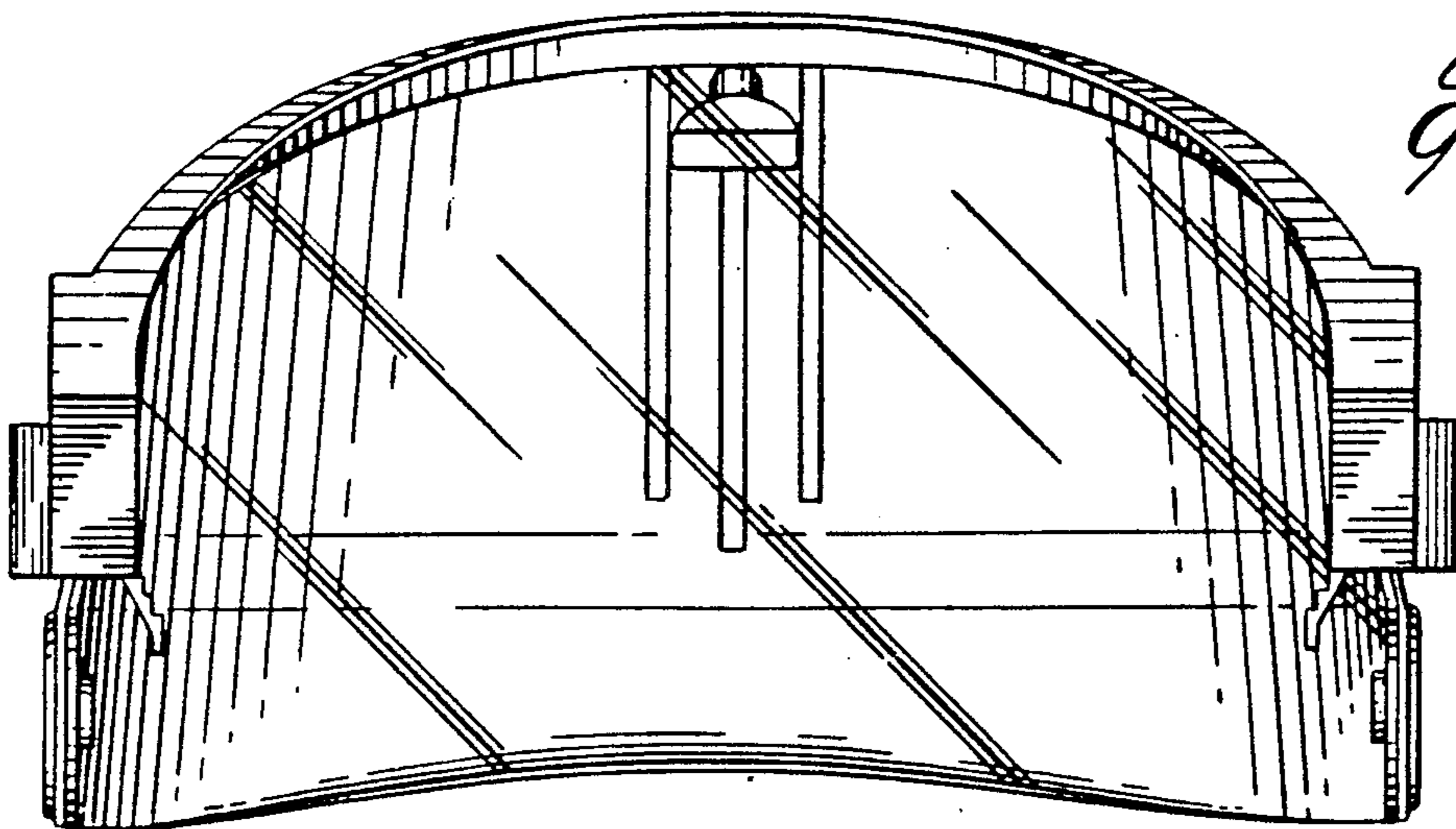


Fig. 3

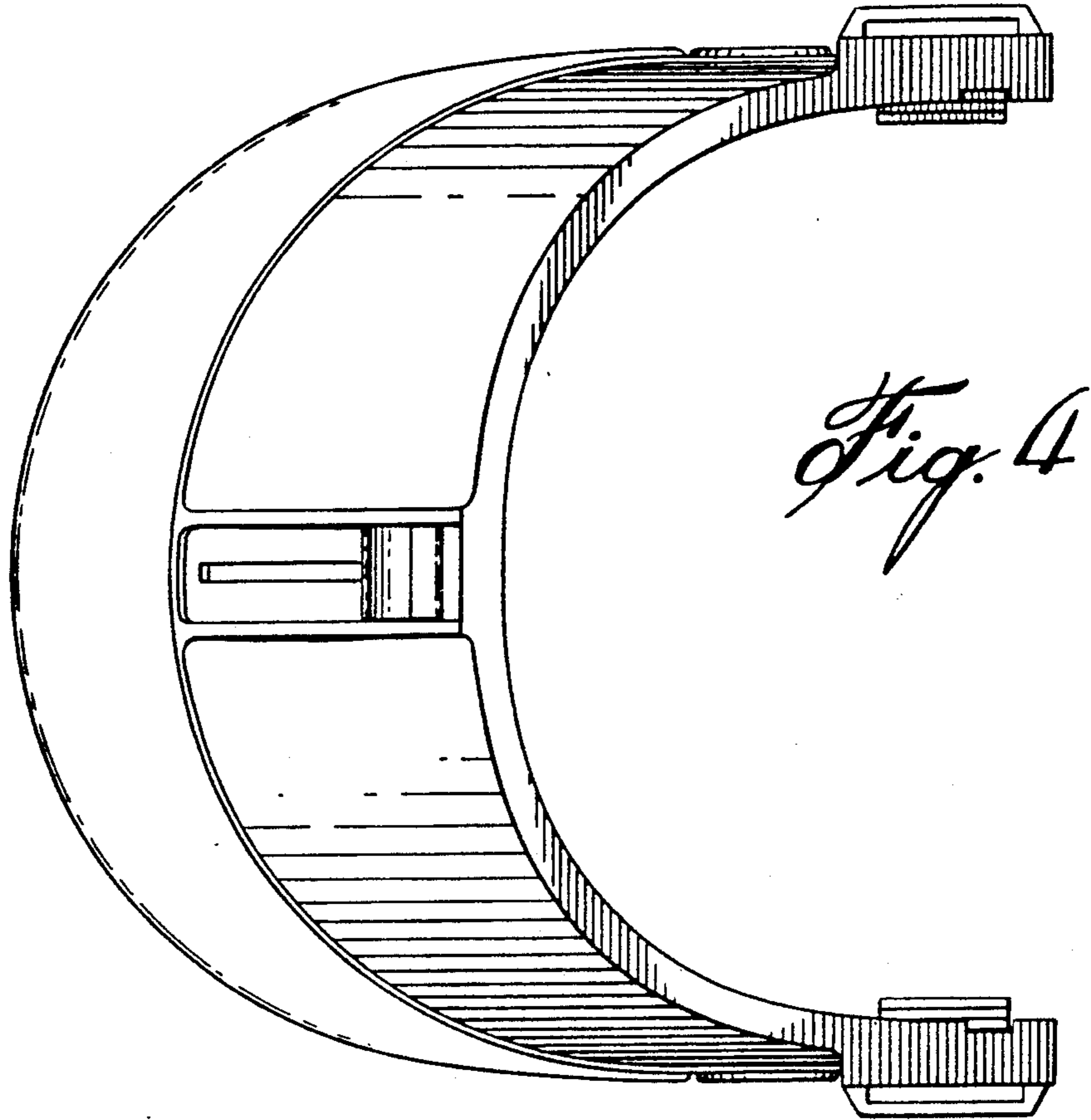


Fig. 4

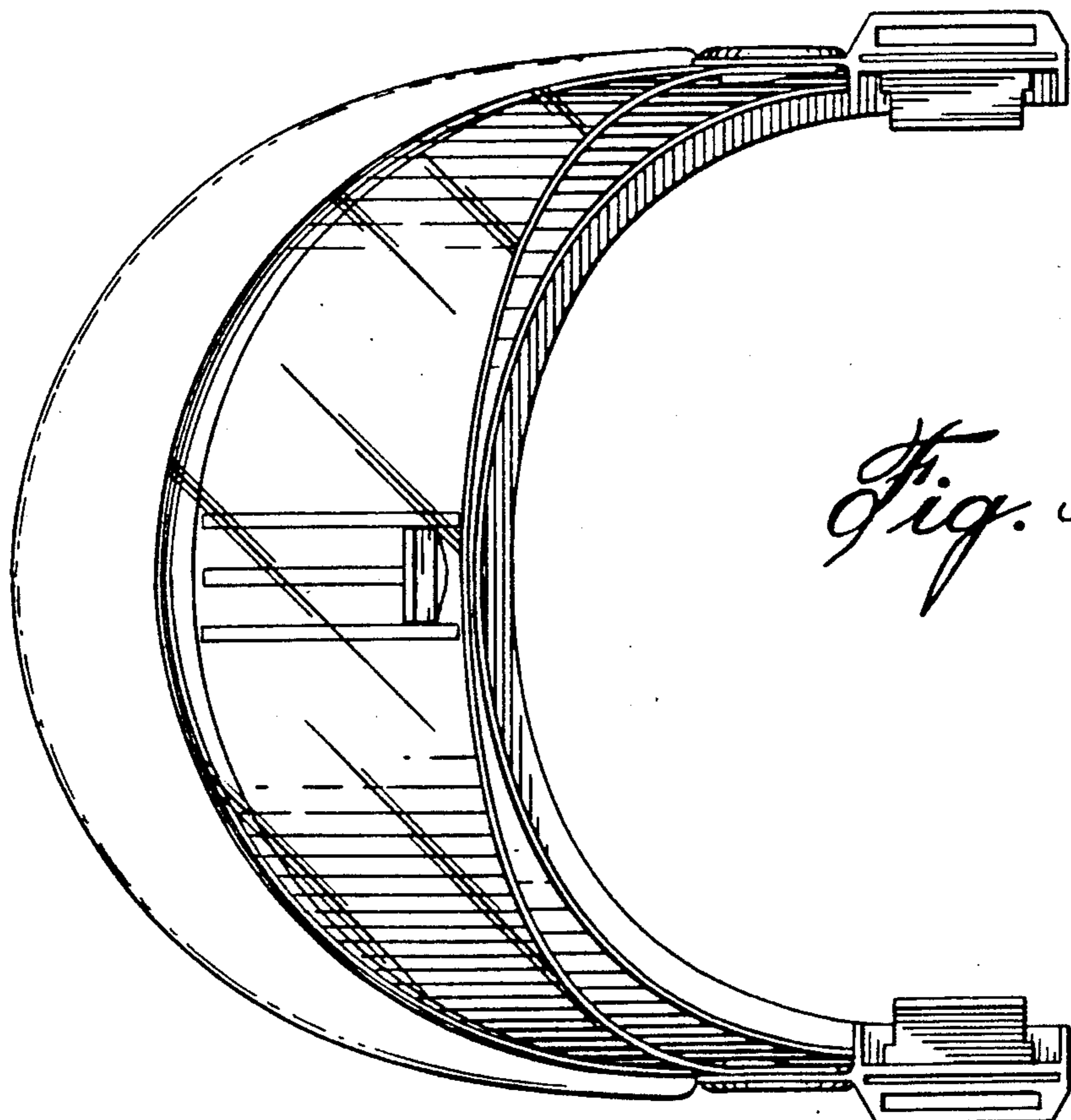


Fig. 5