

[54] **OUTDOOR LIGHT FIXTURE**

[75] **Inventor: Robert D. Giese, Kenosha, Wis.**

[73] **Assignee: Intermatic Incorporated, Spring Grove, Ill.**

[\*\*] **Term: 14 Years**

[21] **Appl. No.: 387,102**

[22] **Filed: Jul. 28, 1989**

[52] **U.S. Cl. .... D26/67; D26/24**

[58] **Field of Search ..... D26/67-71,  
D26/24; 362/147, 431, 432, 362, 247, 104**

[56] **References Cited**

**U.S. PATENT DOCUMENTS**

D. 239,315	3/1976	Satoh et al. ....	D26/104
D. 271,426	9/1983	Yabata .....	D26/29
D. 277,511	2/1985	Patel .....	D26/68
D. 282,010	12/1985	Ferenc .....	D26/28
D. 308,111	5/1990	Banathy et al. ....	D26/68
3,263,069	7/1966	Krucki et al. .	

**OTHER PUBLICATIONS**

Exhibit A: Intermatic Malibu Catalog (1987).  
Exhibit C: Intermatic Malibu Catalog (1988).  
Abitare, 5-1981, p. 145, Outdoor Lamp.

*Primary Examiner*—Susan J. Lucas  
*Attorney, Agent, or Firm*—William Brinks Olds Hofer  
Gilson & Lione

[57] **CLAIM**

The ornamental design for an outdoor light fixture, as shown and described.

**DESCRIPTION**

FIG. 1 is a top, front, right side perspective view of a outdoor light fixture showing my new design; FIG. 2 is a right side elevation view thereof; FIG. 3 is a front elevation view thereof; FIG. 4 is a rear elevation view thereof; FIG. 5 is a left side elevation view thereof; FIG. 6 is a top plan view thereof; FIG. 7 is a bottom plan view thereof; and FIG. 8 is a rear elevation view of a second embodiment of my new design, the second embodiment being identical to the first except for the appearance of the circular element on the rear of the housing.

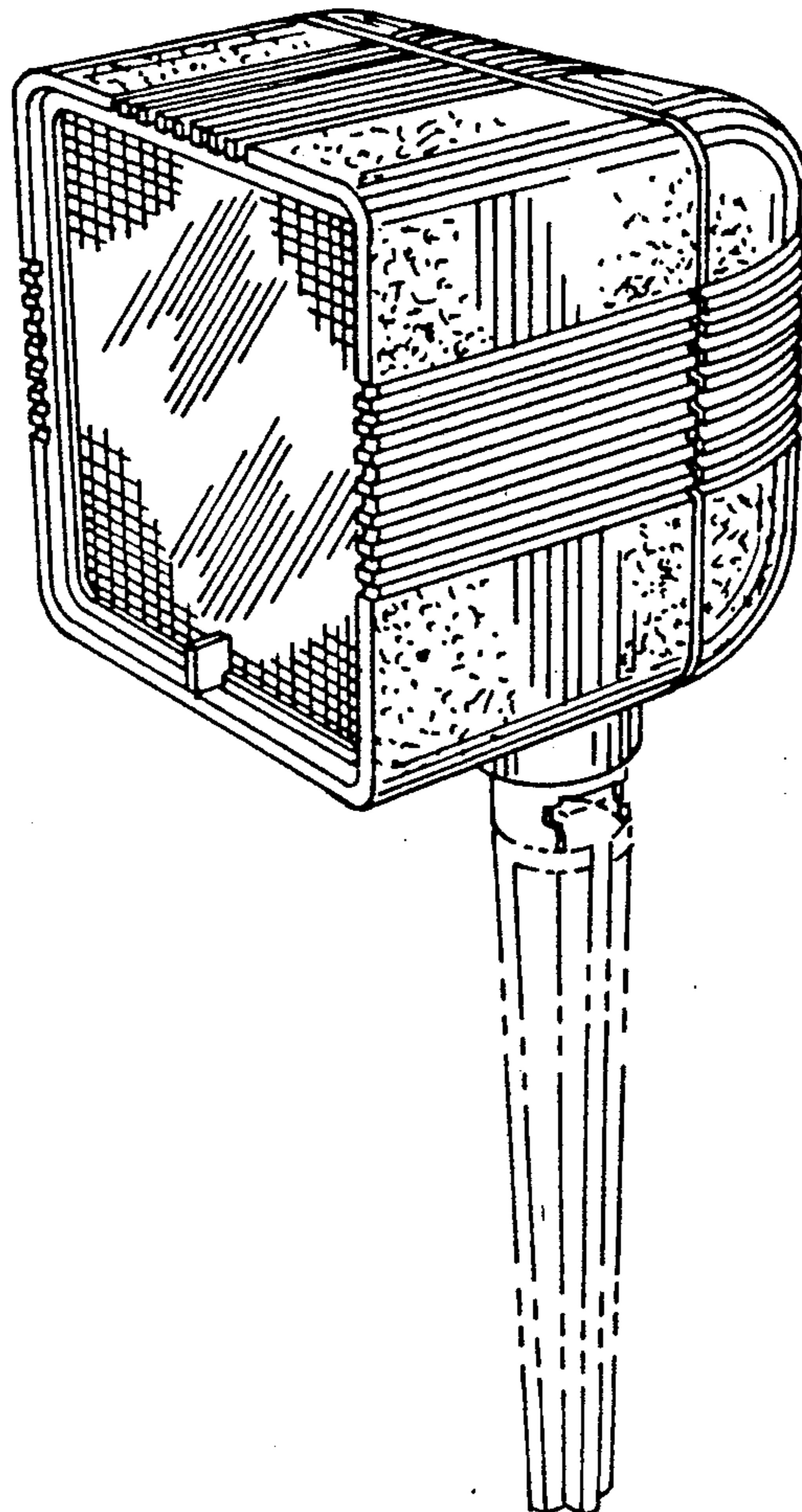


FIG-3-

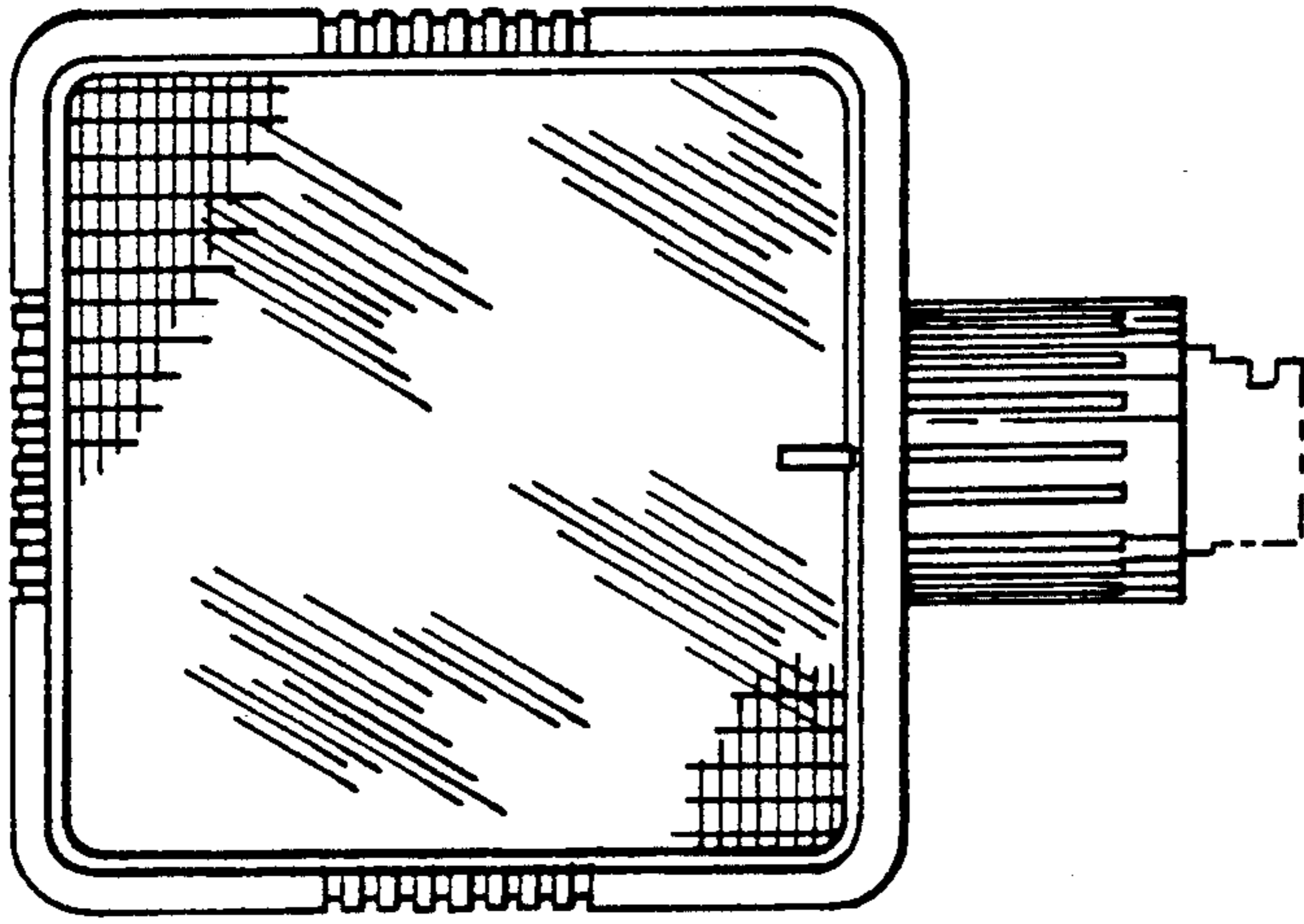


FIG-2-

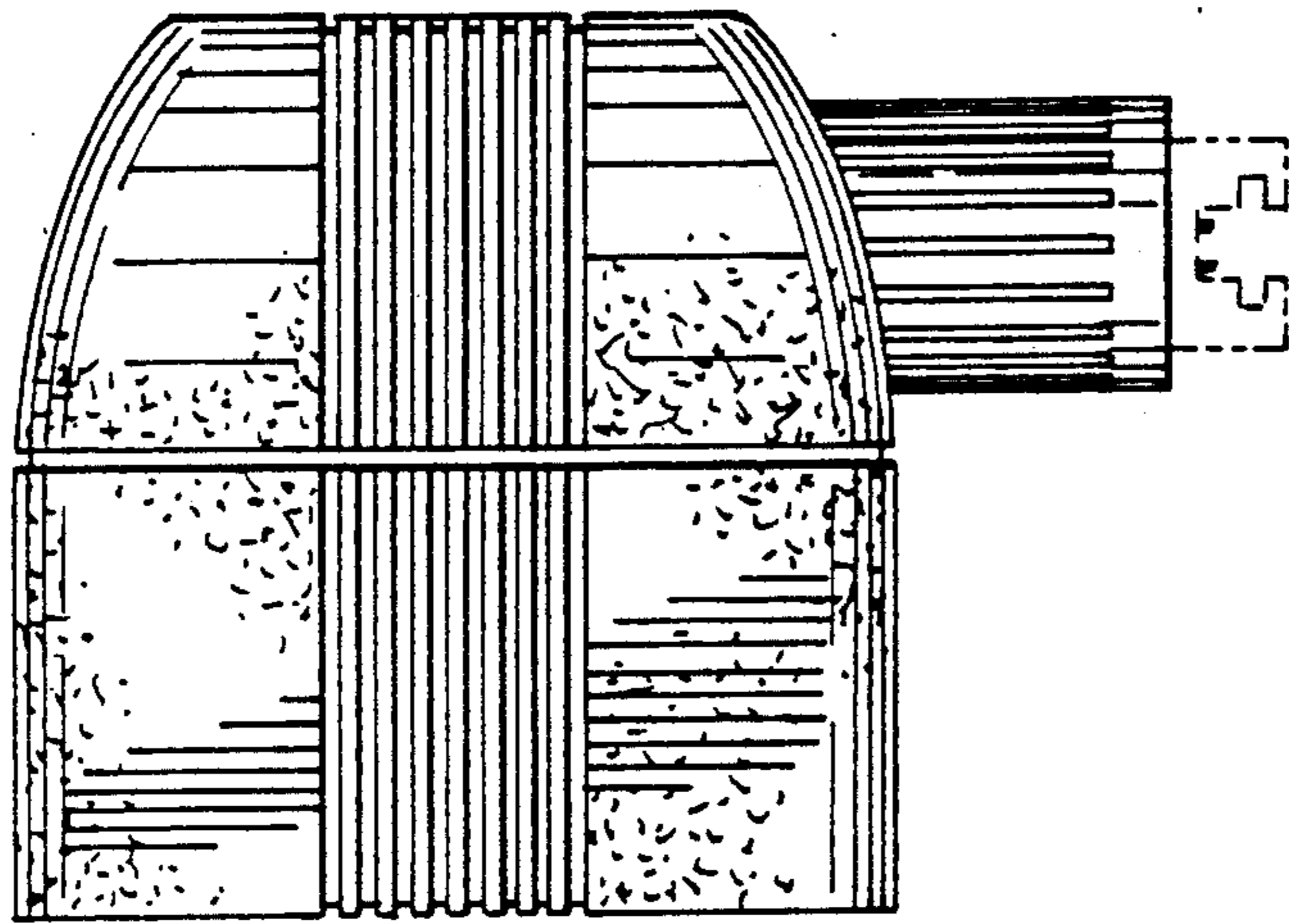
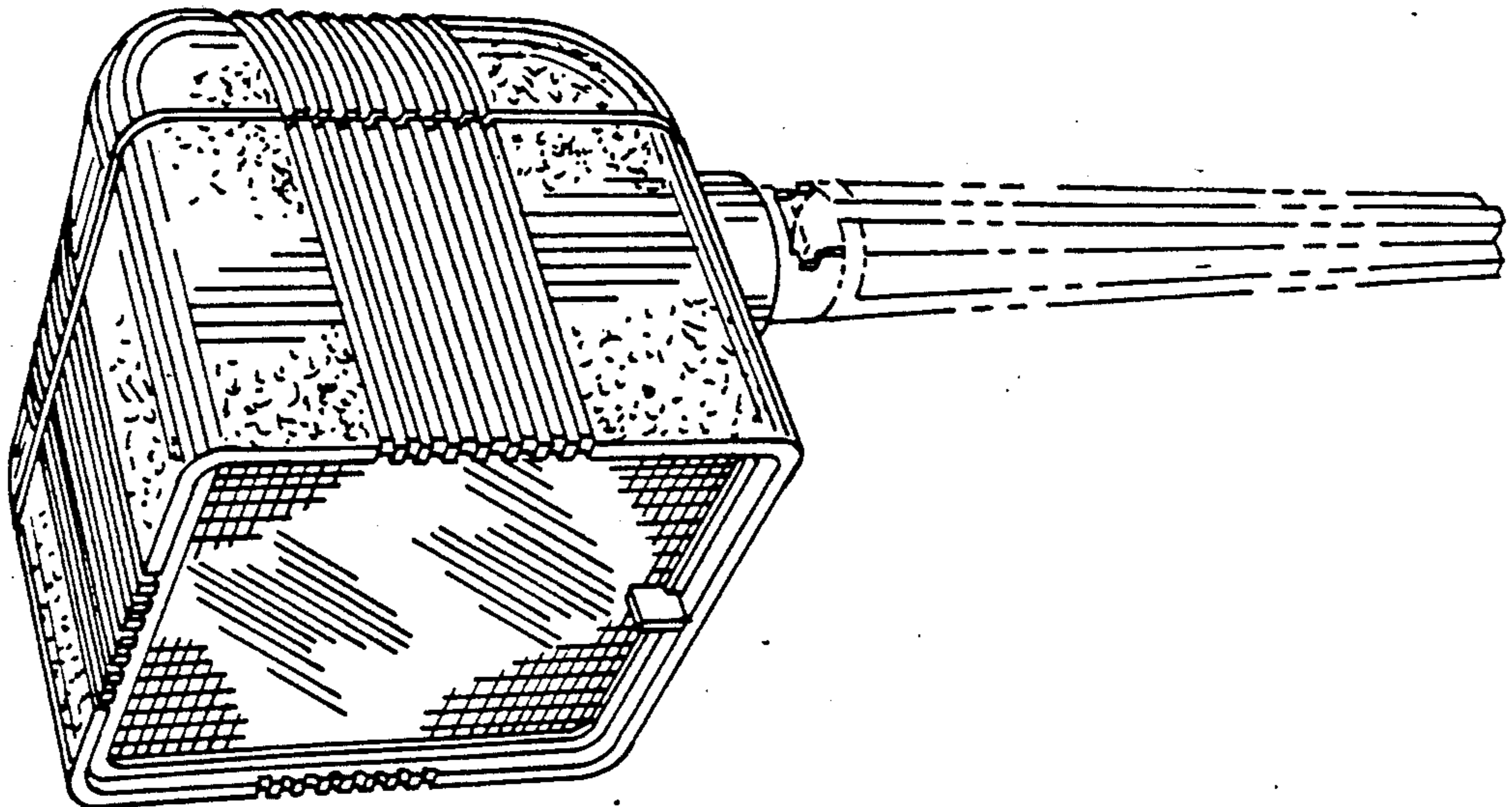


FIG-1-



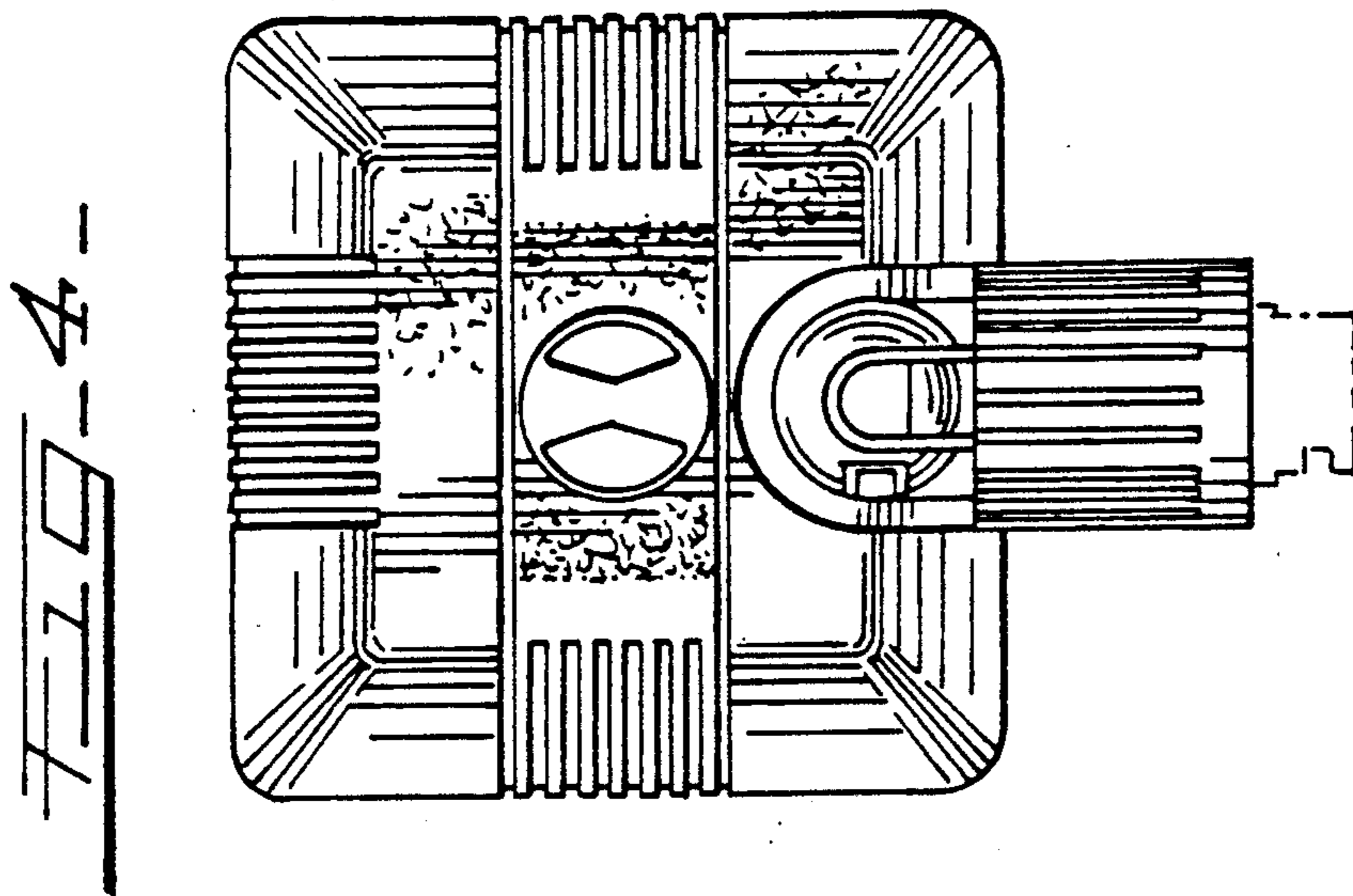
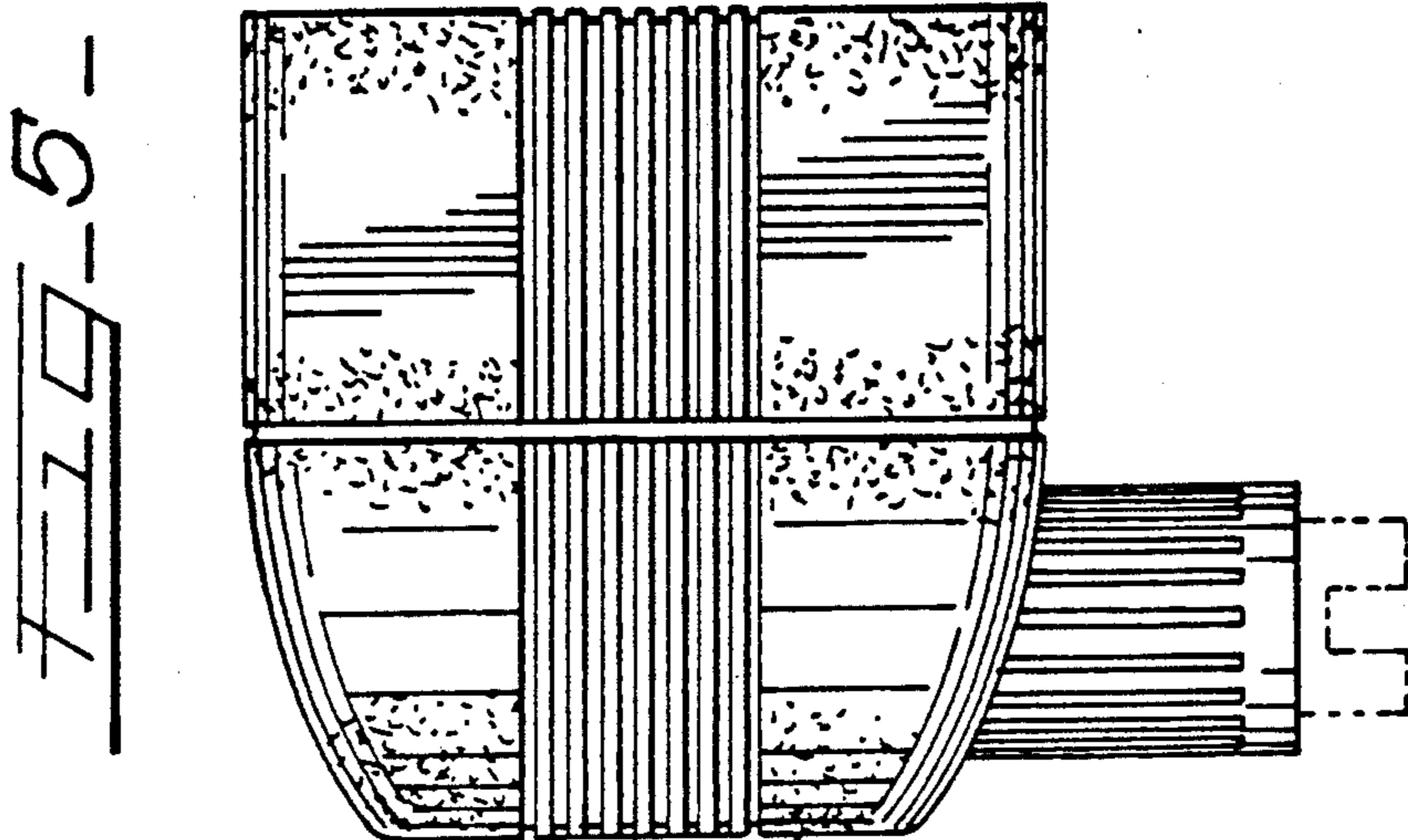


Fig. 8-

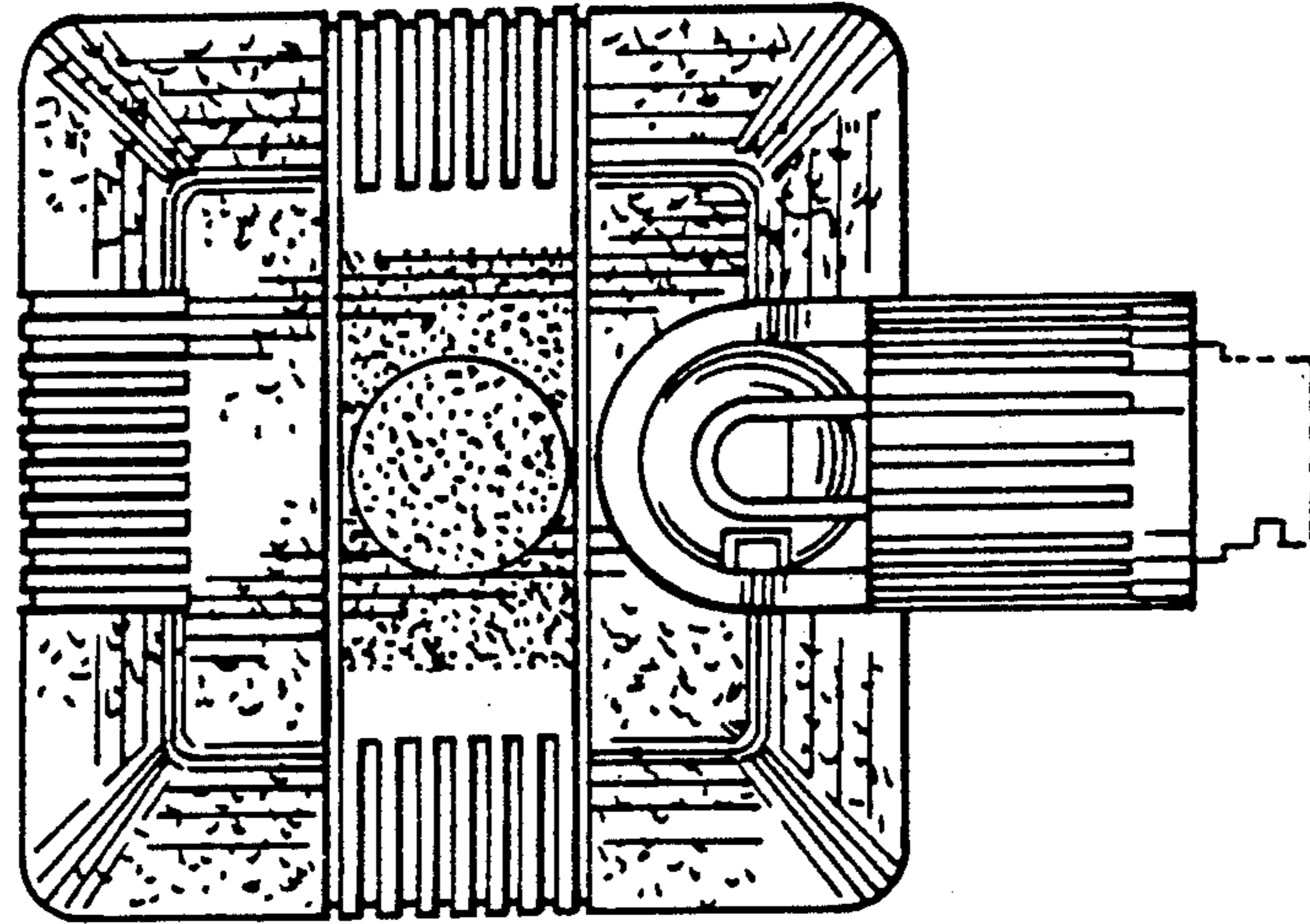


Fig. 7-

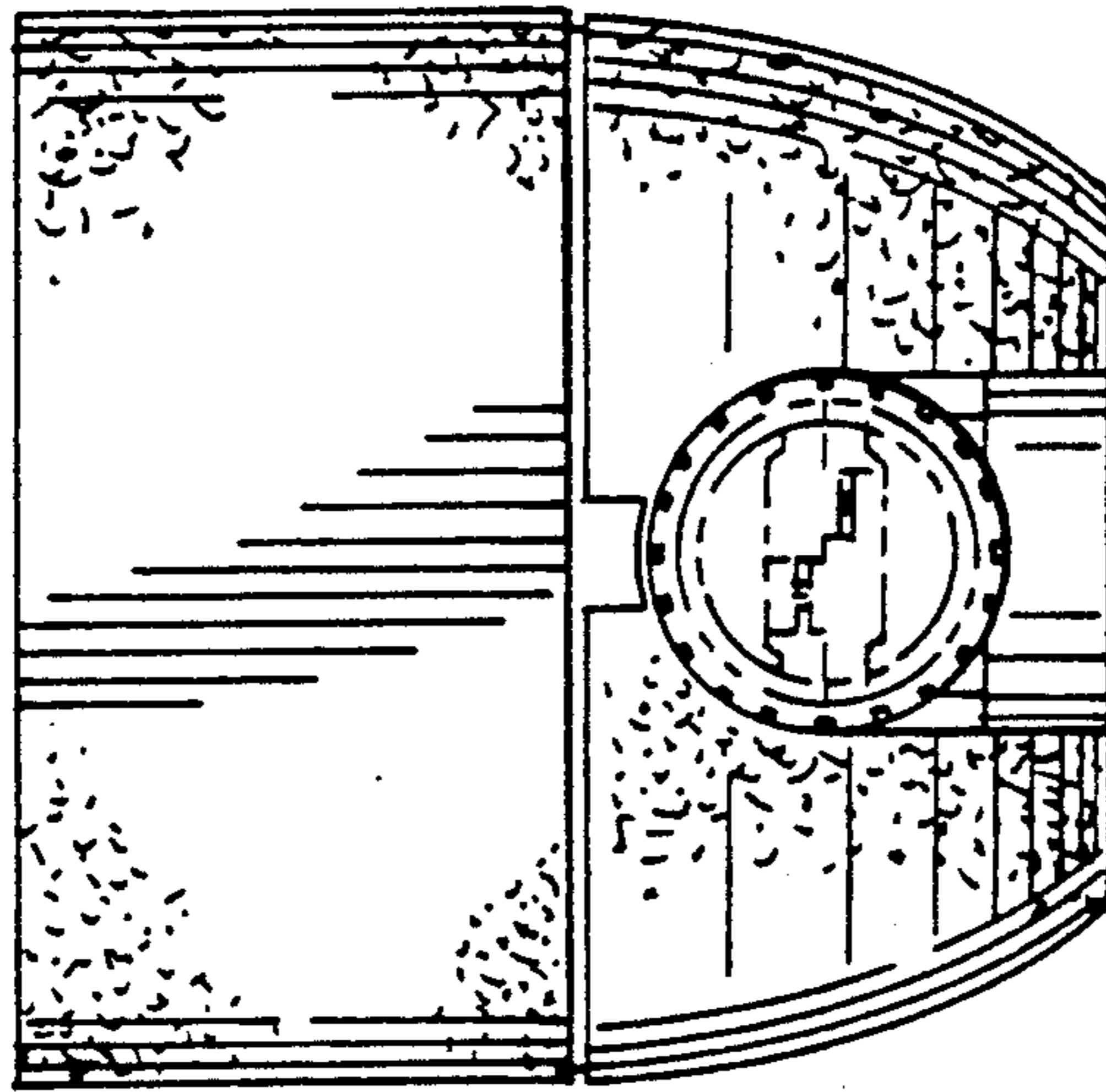


Fig. 6-

