

[54] ADJUSTABLE WIDTH COPING FOR SWIMMING POOLS

[76] Inventor: Richard H. Lewis, 3144 Nisbet, Pinckney, Mich. 48169

[**] Term: 14 Years

[21] Appl. No.: 329,487

[22] Filed: Mar. 28, 1989

[52] U.S. Cl. D25/119; D25/2

[58] Field of Search D25/2, 119, 136; D34/5; 4/506-507, 510-512; 52/169.14

[56] References Cited

U.S. PATENT DOCUMENTS

3,310,814	1/1965	Lipman	4/506
3,347,006	10/1967	Fox	4/506
3,500,605	4/1968	Katzman	4/506

3,590,400 7/1971 Kessler D25/2

Primary Examiner—A. Hugo Word

Assistant Examiner—Doris Clark

Attorney, Agent, or Firm—Harness, Dickey & Pierce

[57] CLAIM

The ornamental design an adjustable width coping for swimming pools, as shown and described.

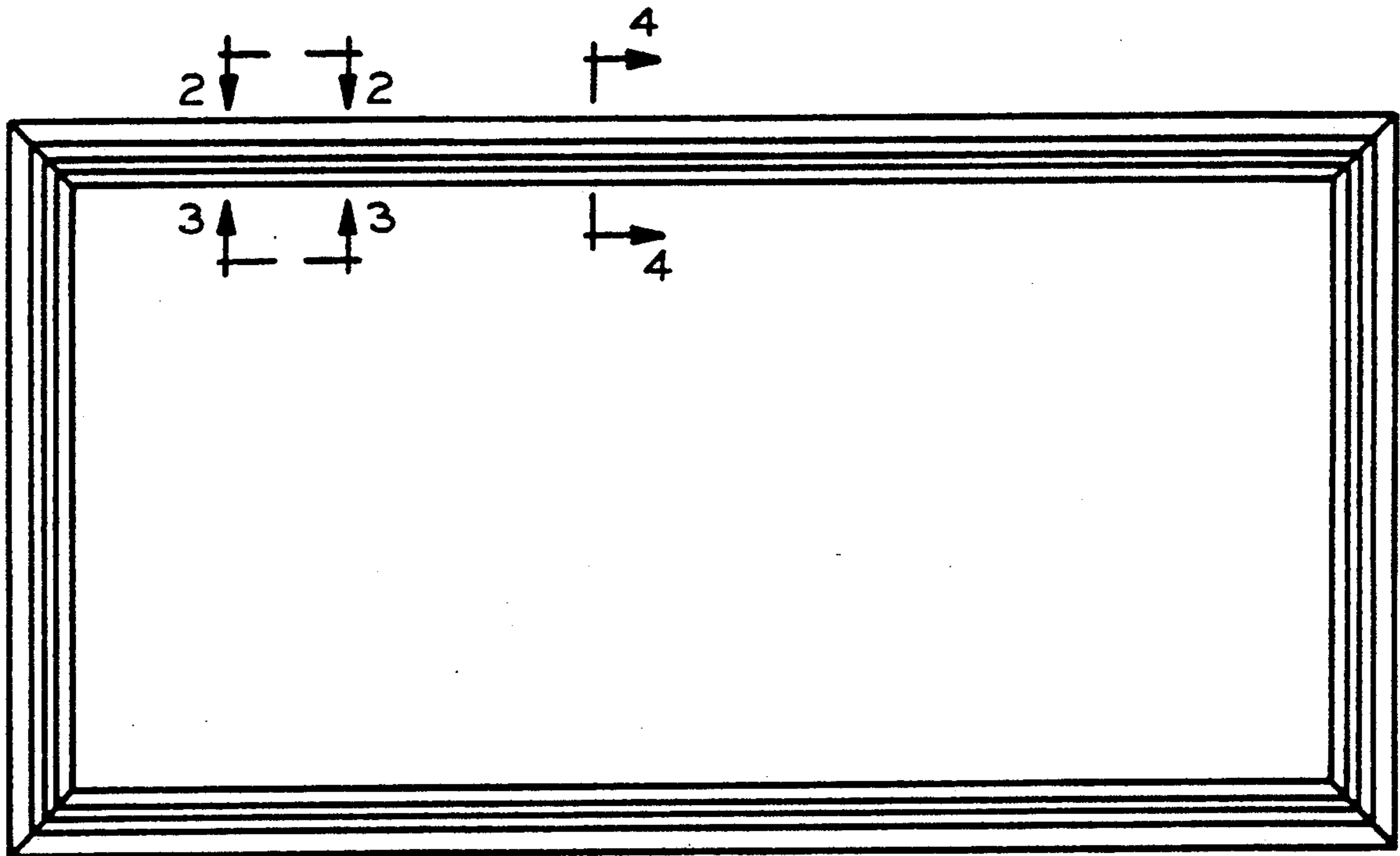
DESCRIPTION

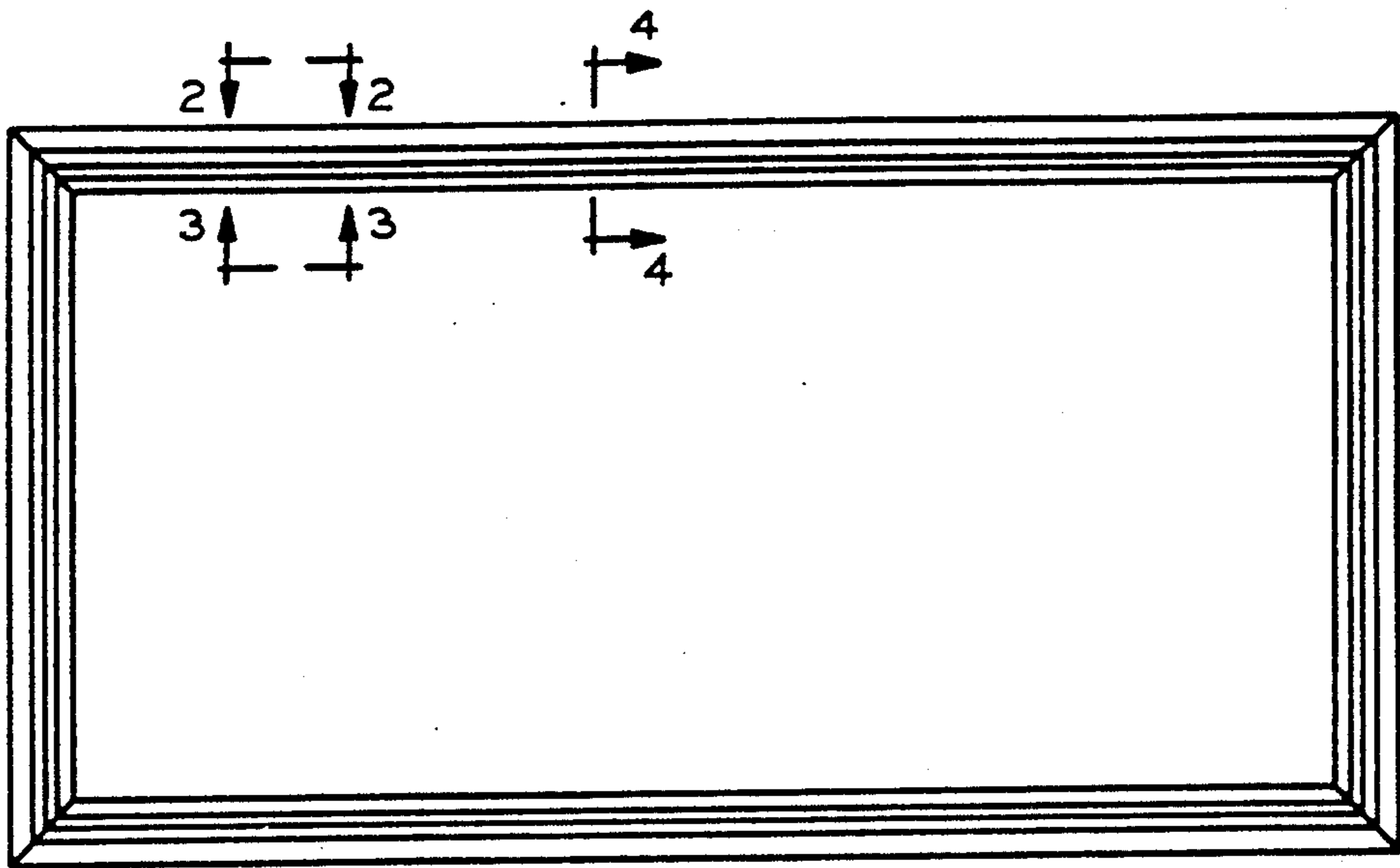
FIG. 1 is a top plan view of an adjustable width coping for swimming pools showing my new design;

FIG. 2 is a fragmentary right side elevational view thereof as viewed along line 2—2 of FIG. 1;

FIG. 3 is a fragmentary left side elevational view thereof as viewed along line 3—3 of FIG. 1; and

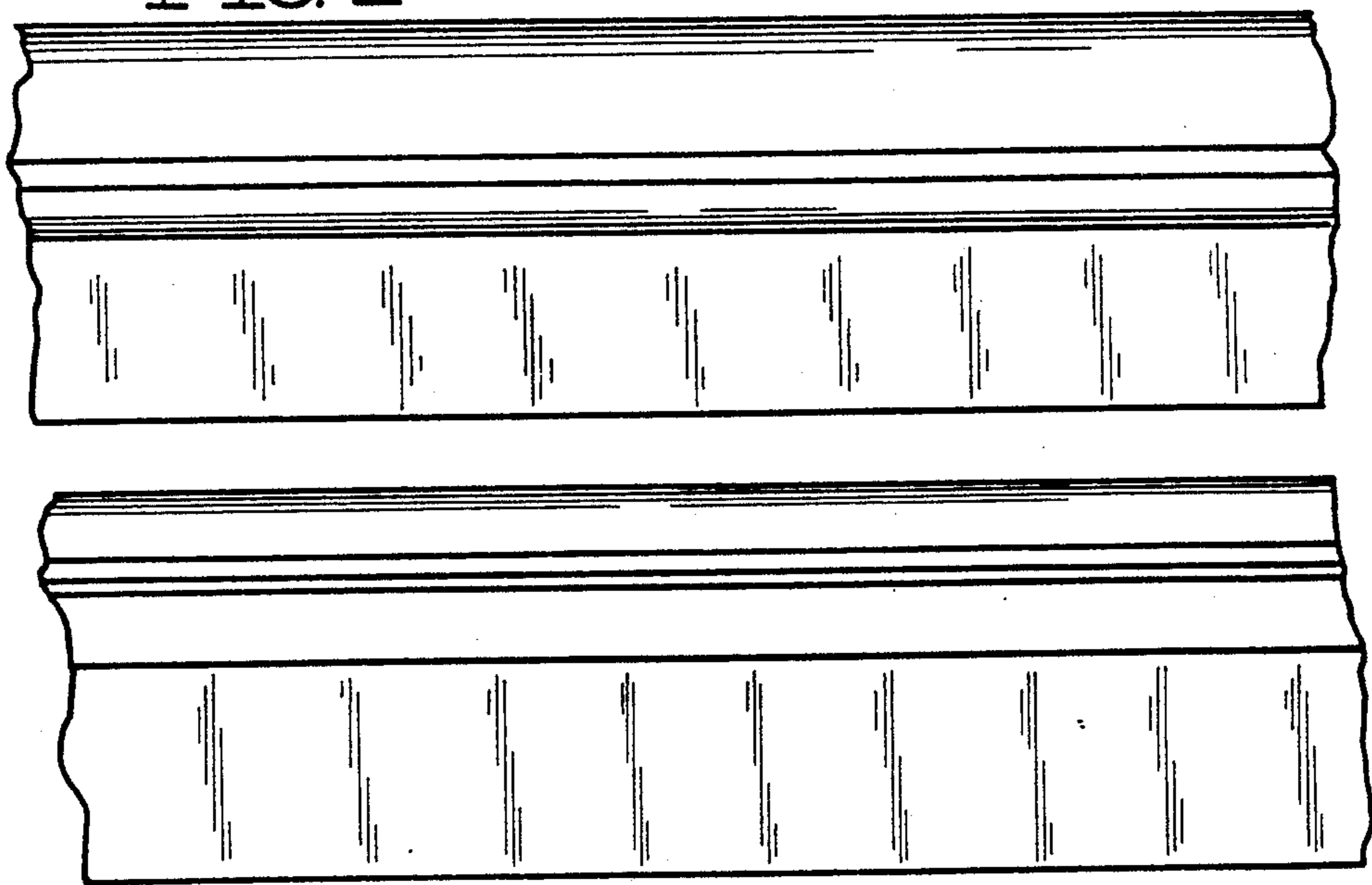
FIG. 4 is a cross sectional view thereof taken on line 4—4 of FIG. 1.



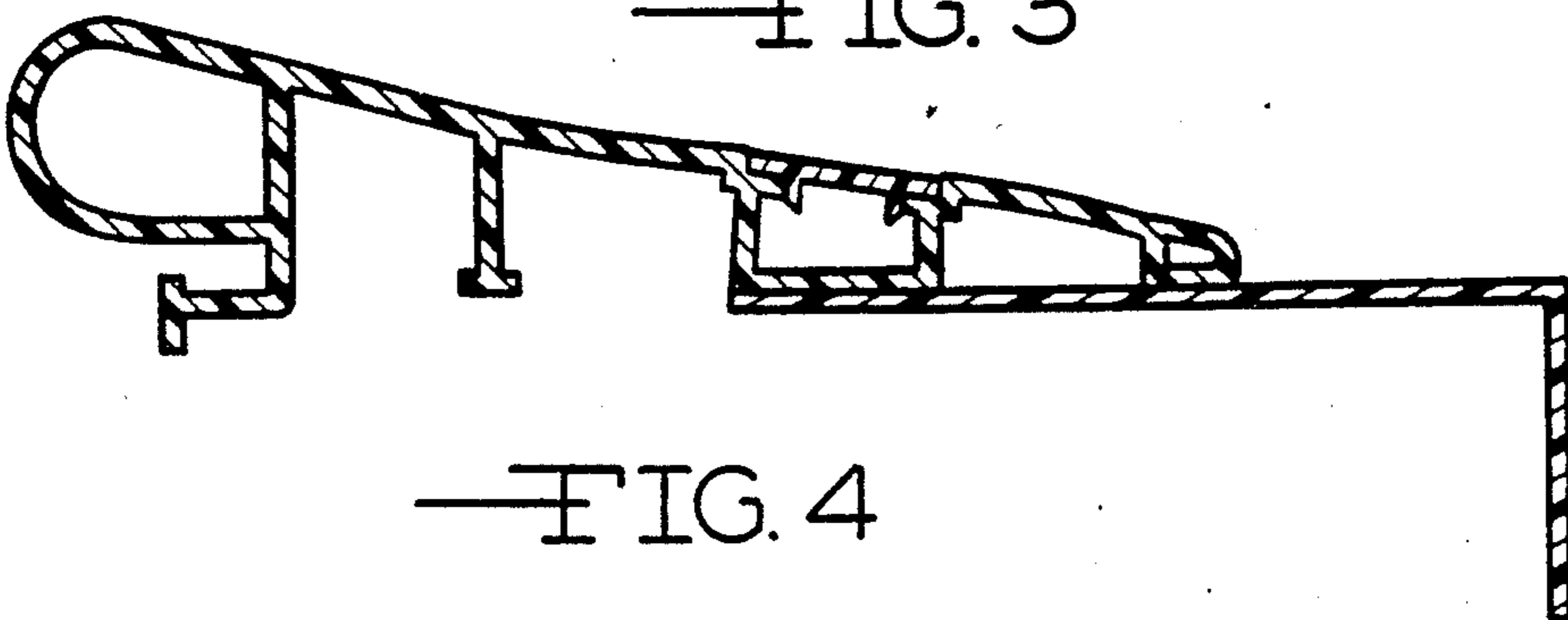


—FIG. 1

—FIG. 2



—FIG. 3



—FIG. 4