

[54] **RETAINING WALL BLOCK**

[75] Inventors: **Peter J. Blomquist; Michael E. Woolford**, both of Lake Elmo, Minn.

[73] Assignee: **Kiltie Corporation**, North St. Paul, Minn.

[\*\*] Term: **14 Years**

[21] Appl. No.: **620,306**

[22] Filed: **Nov. 30, 1990**

415,773 11/1889 Fiske ..... D25/151  
 2,629,135 2/1953 Johnson ..... 52/314  
 2,847,848 8/1958 Grants ..... D25/113

**FOREIGN PATENT DOCUMENTS**

1034228 7/1953 France ..... D25/113

**OTHER PUBLICATIONS**

Audel's Mason's & Builder's Guide ©1924 pp. 954, 956, 959, 961, 962 vol. 4.

*Primary Examiner*—A. Hugo Word  
*Assistant Examiner*—Doris Clark  
*Attorney, Agent, or Firm*—Kinney & Lange

**Related U.S. Application Data**

[63] Continuation of Ser. No. 239,976, Sep. 2, 1988, abandoned.

[52] U.S. Cl. .... **D25/118; D25/113**

[58] Field of Search ..... **D25/112, 113, 116, 118; 52/169.1, 169.4, 415, 425, 439, 596, 598, 605-610; 405/119, 284-286**

[57] **CLAIM**

The ornamental design for a retaining wall block, as shown and described.

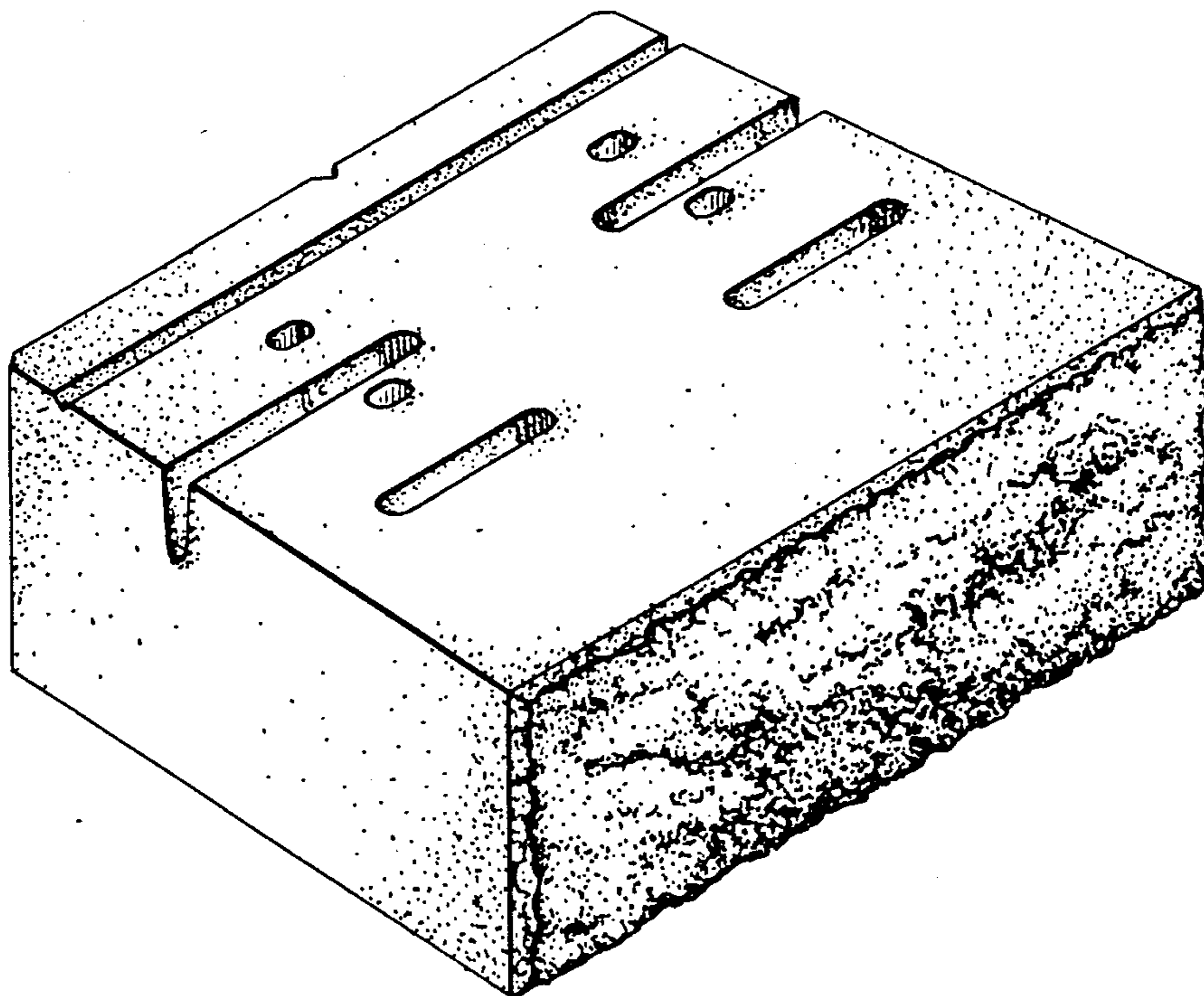
**DESCRIPTION**

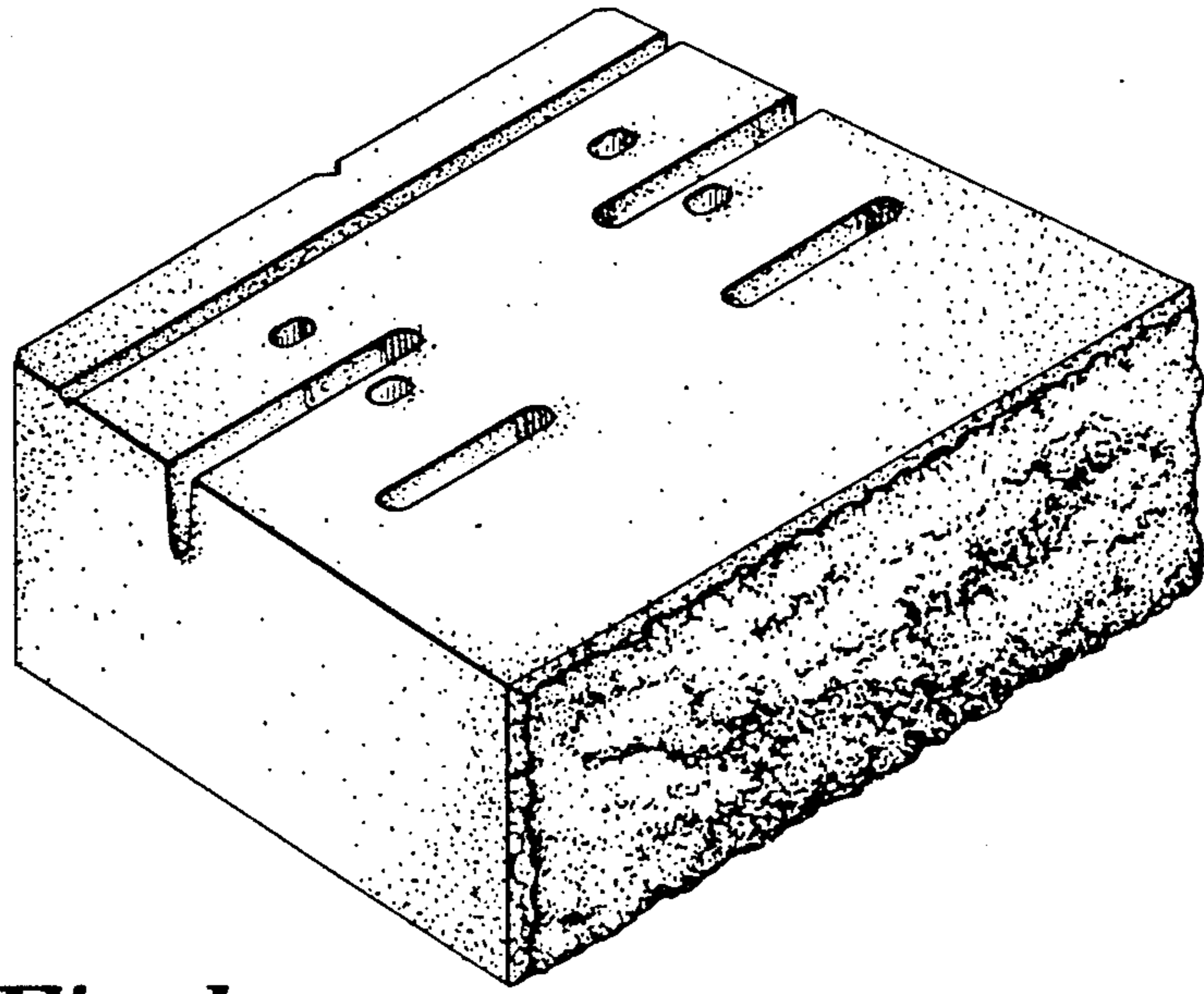
FIG. 1 is a perspective view of a retaining wall block showing our new design;  
 FIG. 2 is a front elevational view thereof;  
 FIG. 3 is a top plan view thereof;  
 FIG. 4 is a side elevational view thereof;  
 FIG. 5 is a rear elevational view thereof; and  
 FIG. 6 is a bottom plan view thereof.

[56] **References Cited**

**U.S. PATENT DOCUMENTS**

D. 21,522 5/1892 Lewis ..... D25/113  
 D. 36,805 2/1904 Palmer ..... D25/151  
 D. 249,558 9/1978 Blomquist ..... D25/113

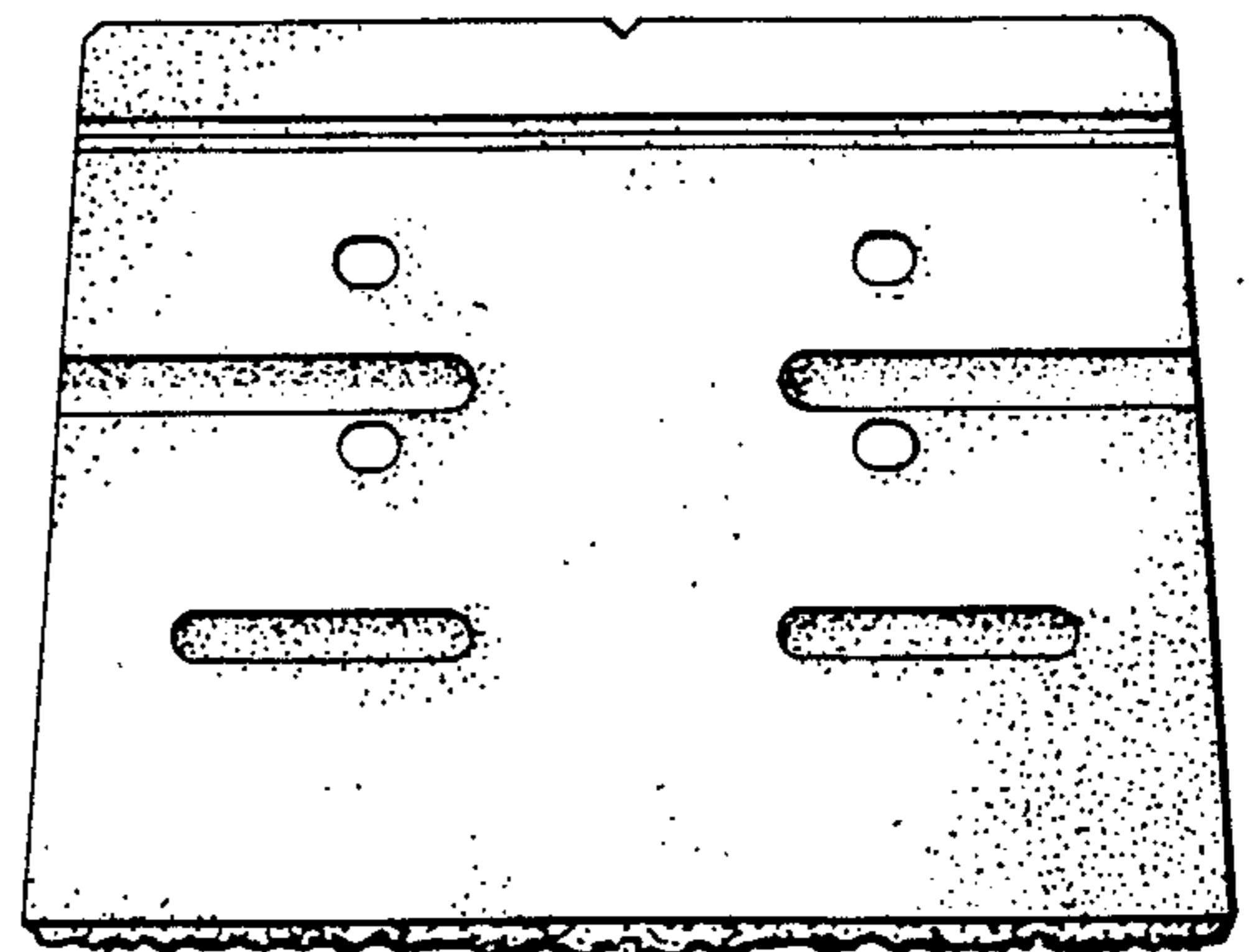




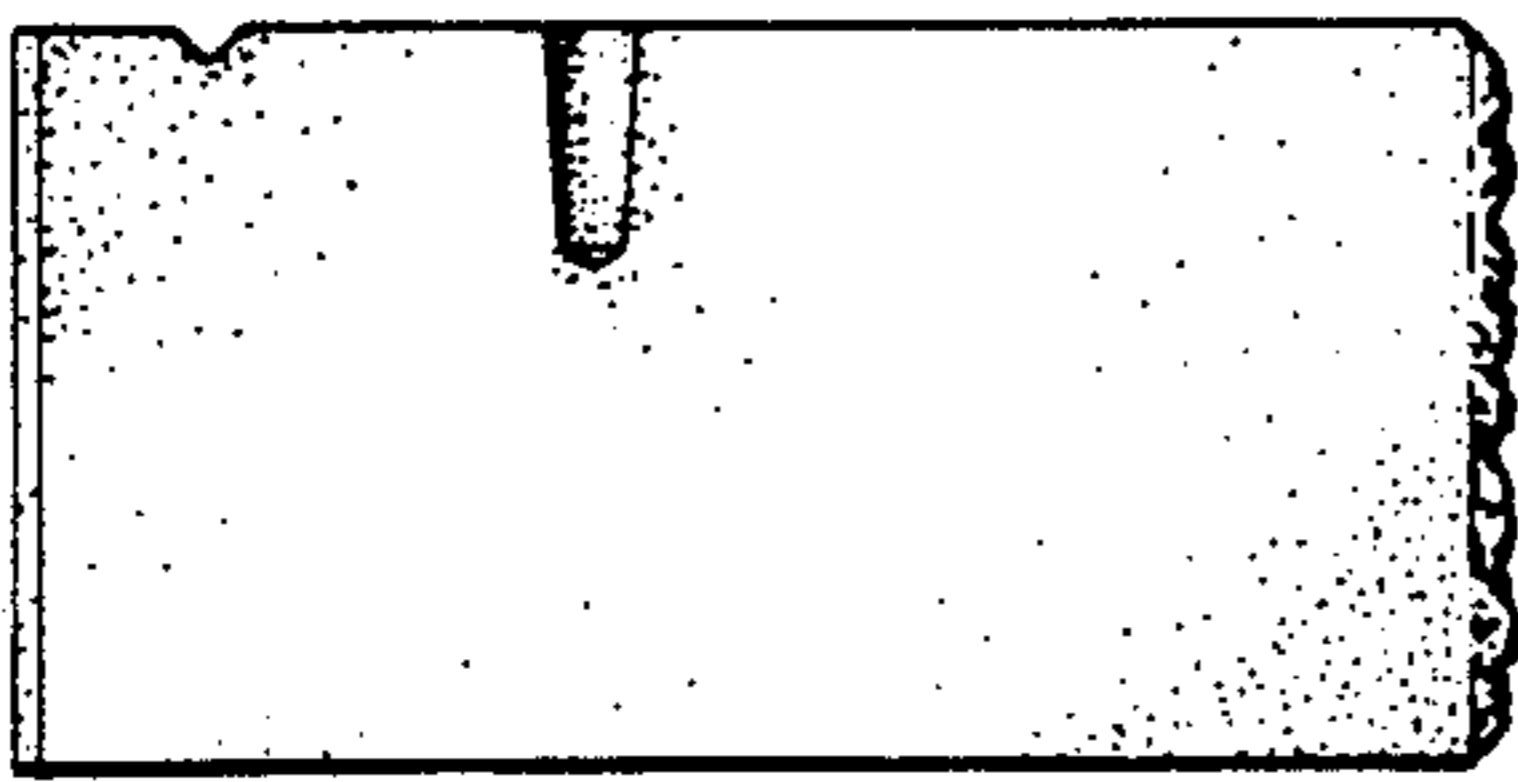
*Fig. 1*



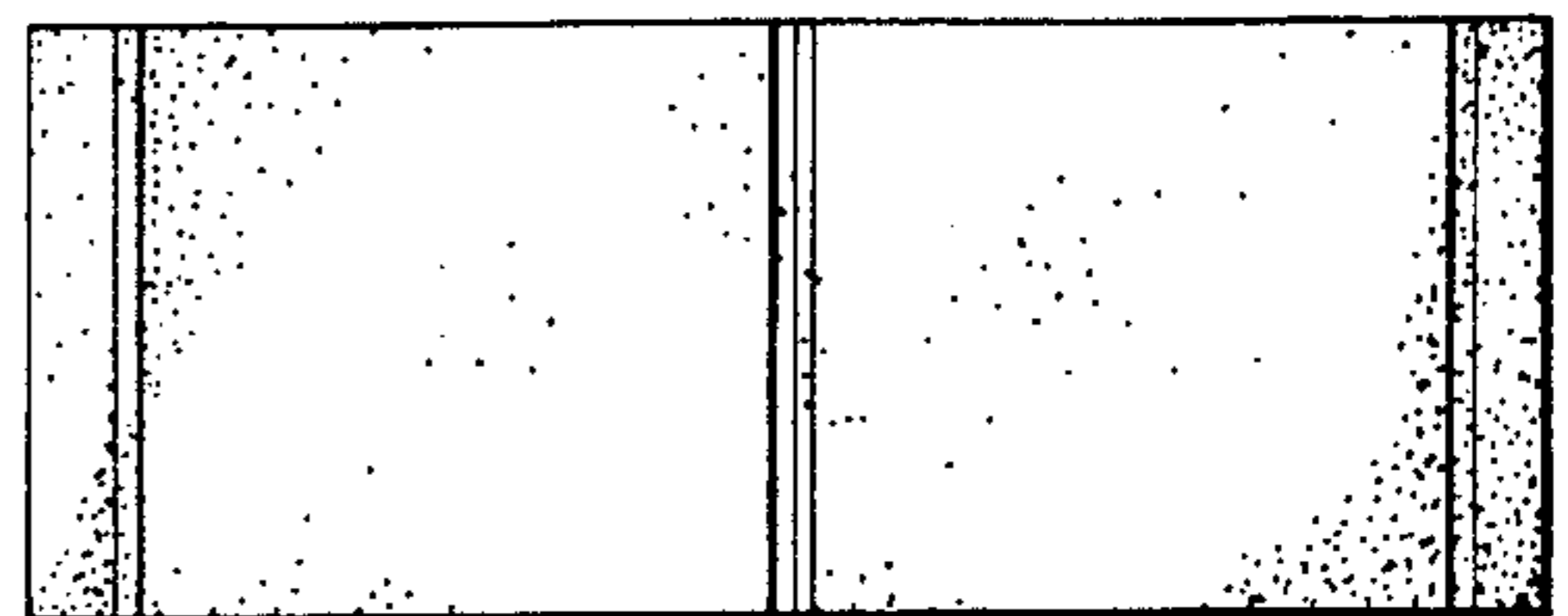
*Fig. 2*



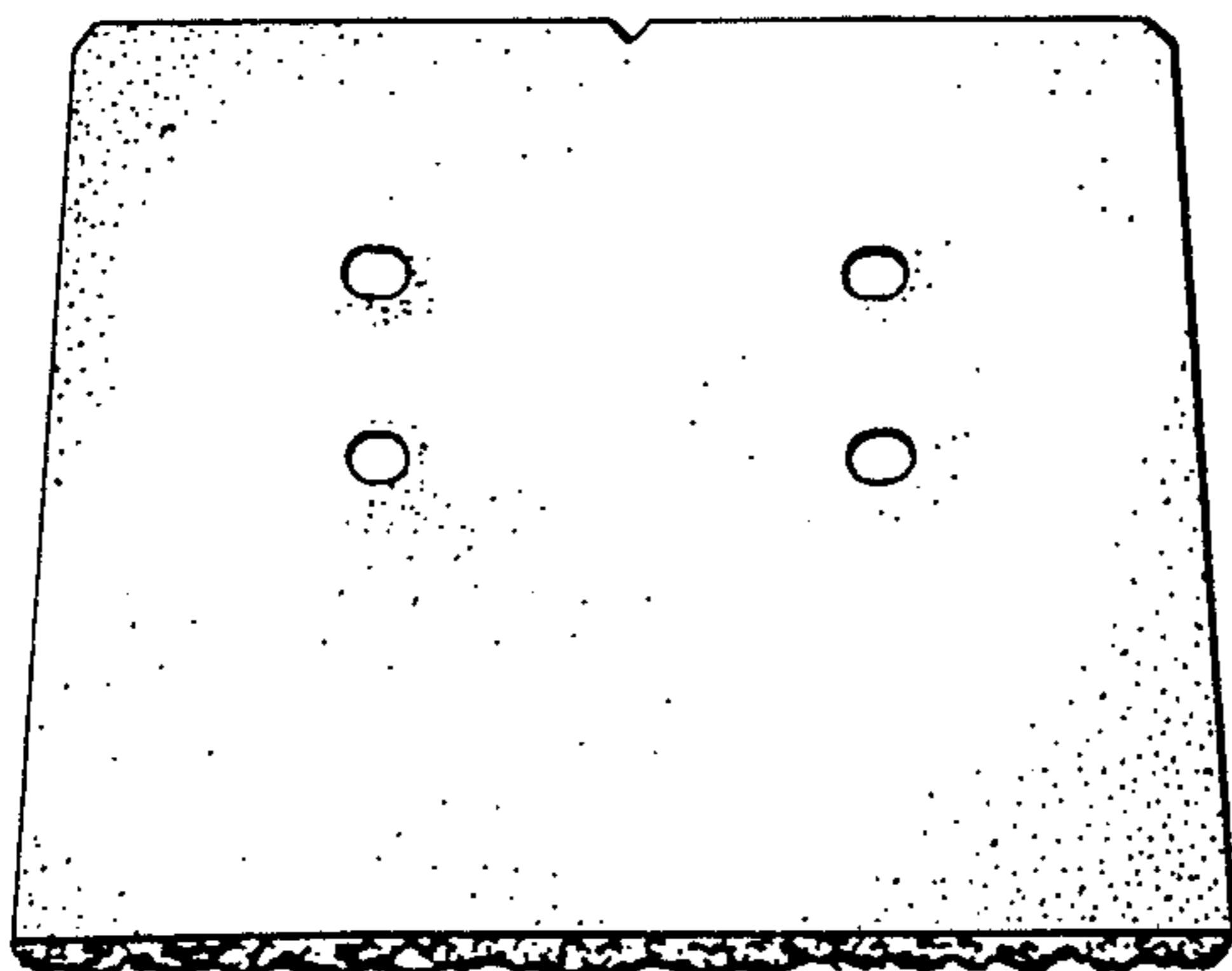
*Fig. 3*



*Fig. 4*



*Fig. 5*



*Fig. 6*