

- [54] DOOR PANEL
- [75] Inventor: Roger C. Hall, Jasper, Tex.
- [73] Assignee: Visador Company, Jasper, Tex.
- [**] Term: 14 Years
- [21] Appl. No.: 261,058
- [22] Filed: Oct. 24, 1988
- [52] U.S. Cl. D25/48; D25/138
- [58] Field of Search D25/47, 48, 58, 48,
D25/138; D6/300, 302, 329, 332, 510, 514, 520;
52/456-457, 311-314, 458; 312/221, 216, 222,
217, 219, 242, 245, 109

- [56] **References Cited**
U.S. PATENT DOCUMENTS
304,692 9/1884 Bingaman D25/48
956,642 5/1910 Klein 256/19

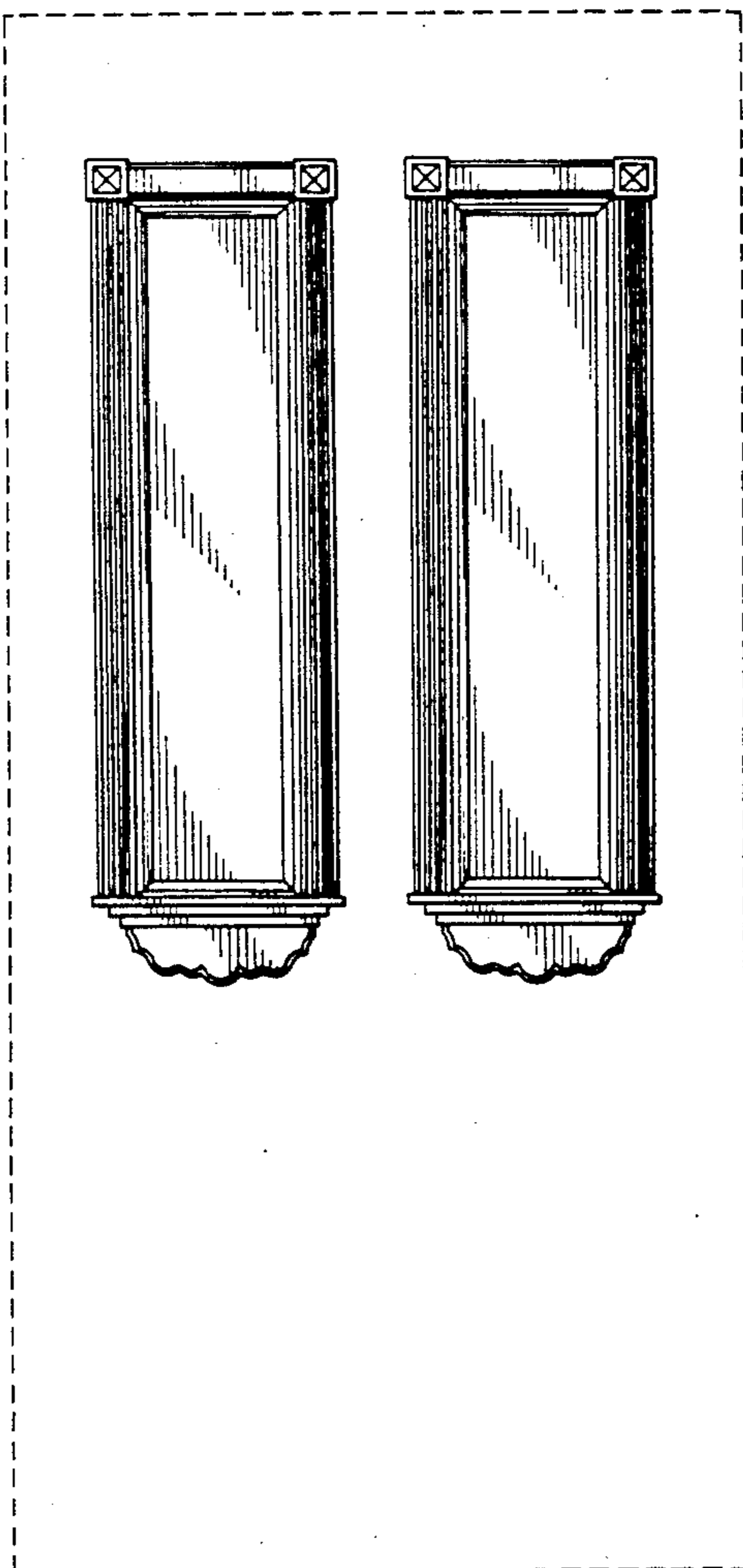
OTHER PUBLICATIONS
1984 Universal Design Book (Nos. 231 and 233), reproduced in The Victorian Design Book.
Primary Examiner—A. Hugo Word

Assistant Examiner—Doris Clark
Attorney, Agent, or Firm—Fulbright & Jaworski

[57] **CLAIM**
The ornamental design for a door panel, as shown and described.

DESCRIPTION

FIG. 1 is a front elevational view of a door panel showing a first embodiment of my new design, the rear elevational view being identical to the front;
FIG. 2 is a front elevational view of a door panel showing a second embodiment of my new design, the rear elevational view being identical to the front;
FIG. 3 is a front elevational view of a door panel showing a third embodiment of my new design, the rear elevational view being identical to the front;
FIG. 4 is a cross-sectional view taken along line 4—4 of FIG. 3.
FIG. 5 is a fragmentary cross-sectional view taken along line 5—5 of FIG. 3.
FIG. 6 is a cross-sectional view taken along line 6—6 of FIG. 3.
The broken line showing of a door is for illustrative purposes only and forms no part of the claimed design.



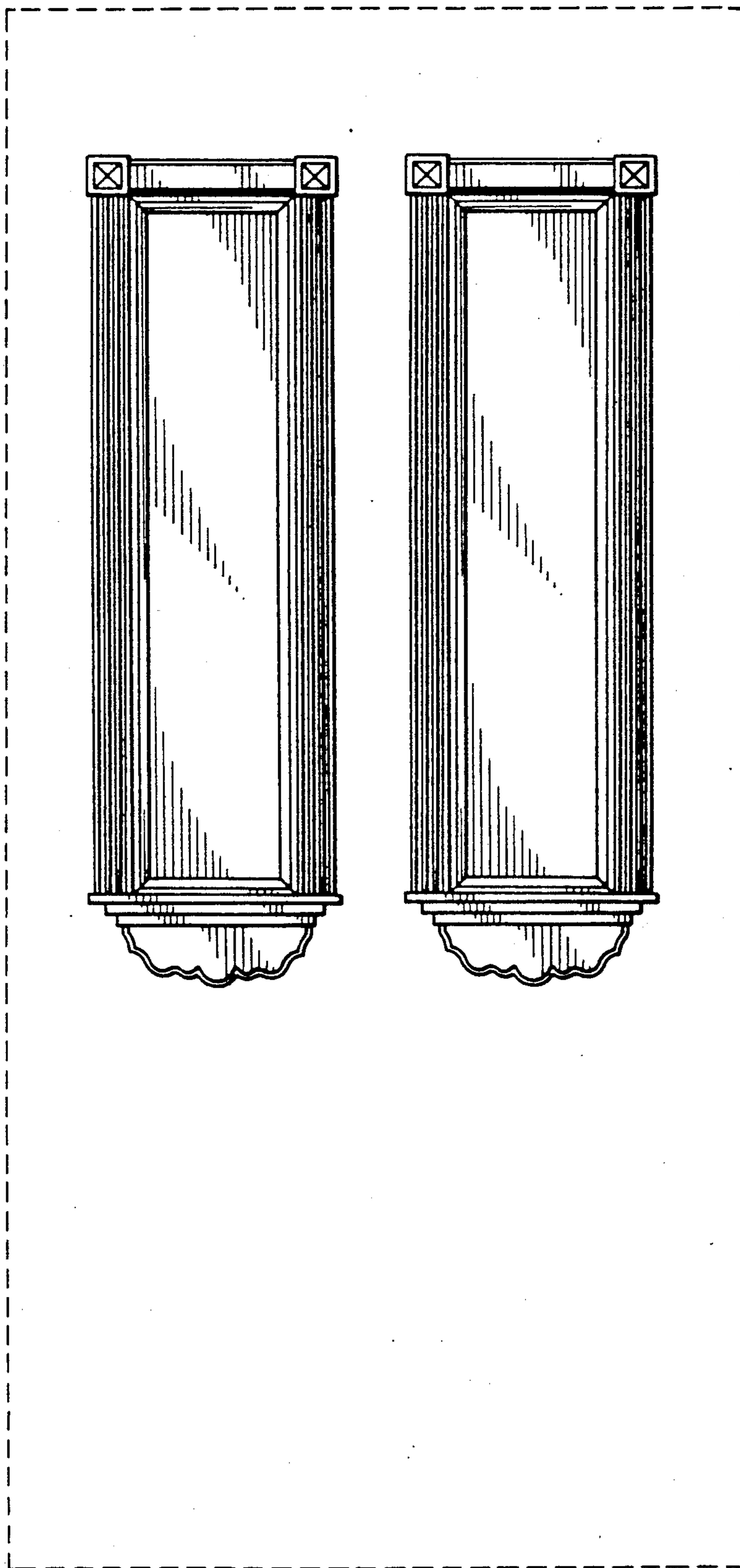


FIG. 1

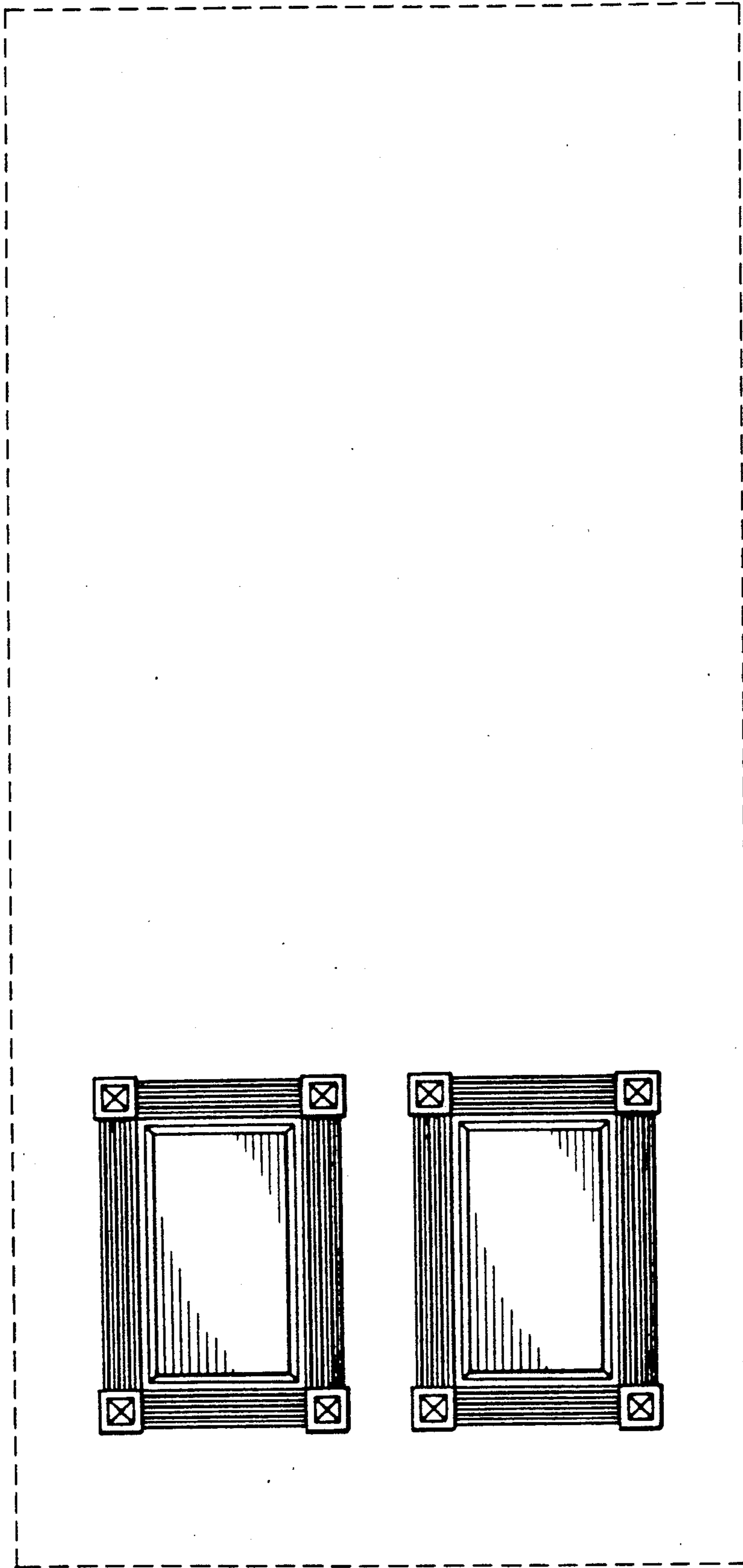


FIG. 2.

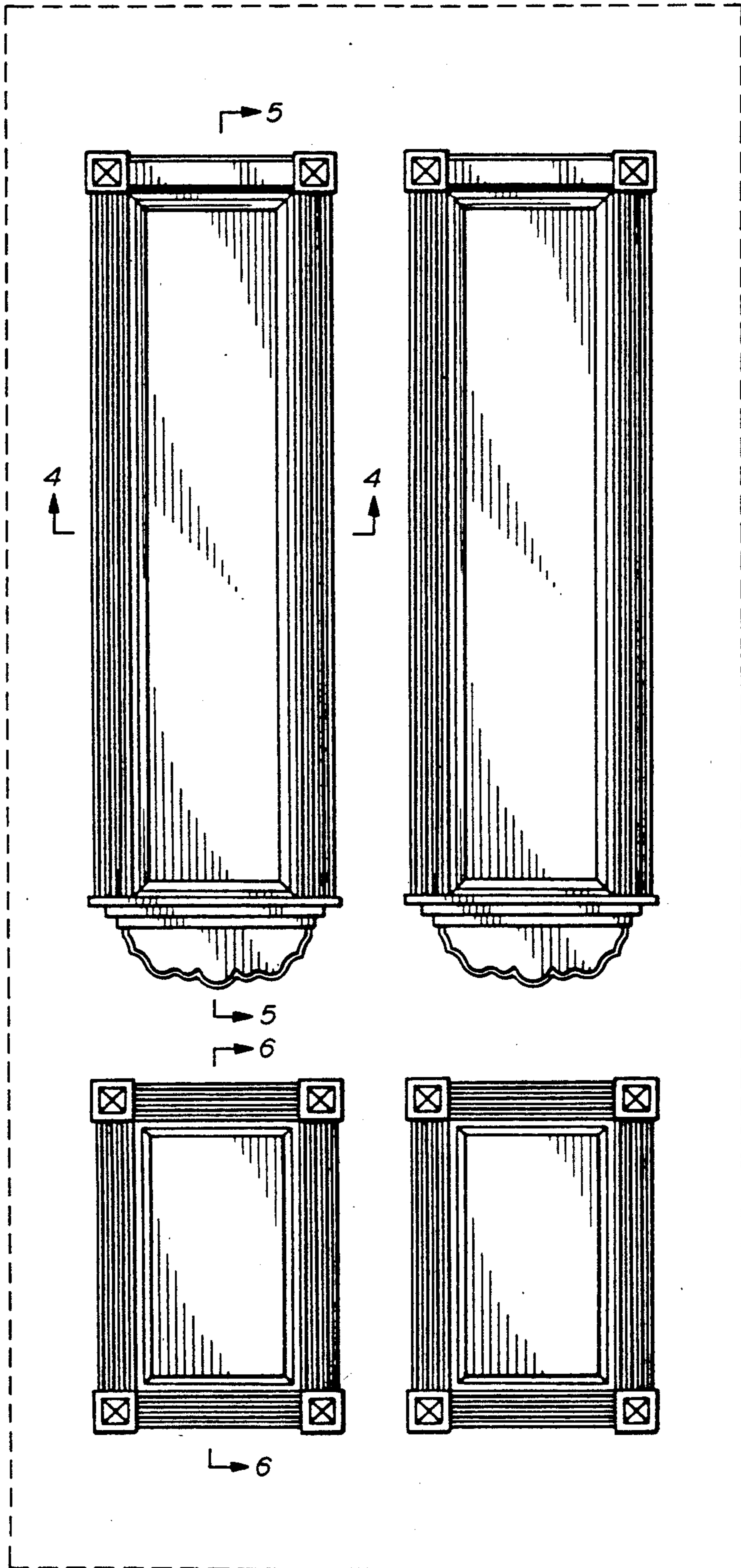


FIG. 3

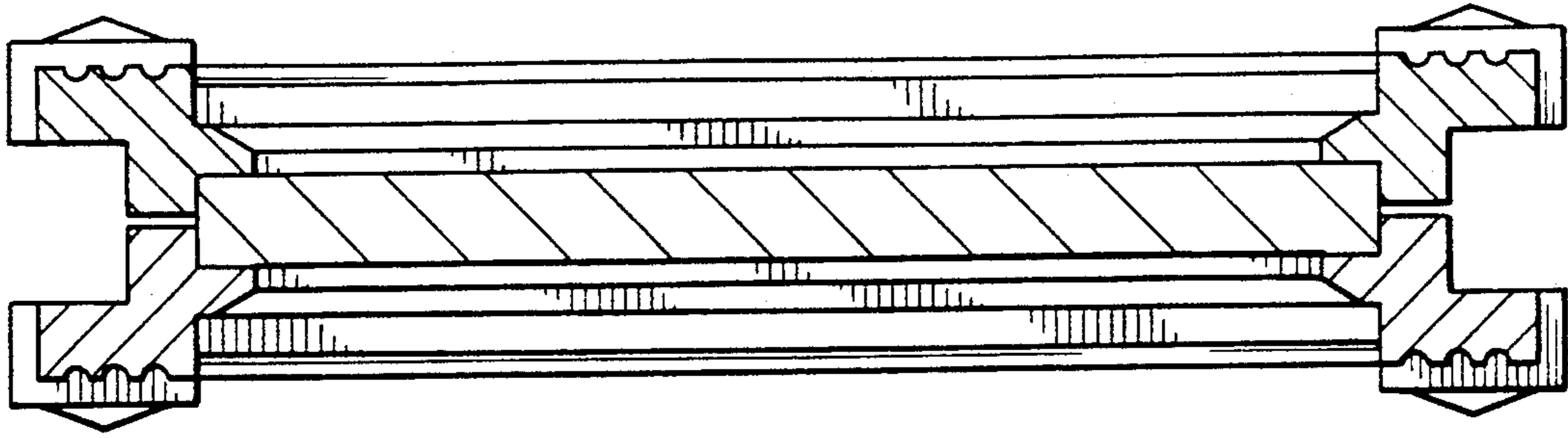


FIG. 4

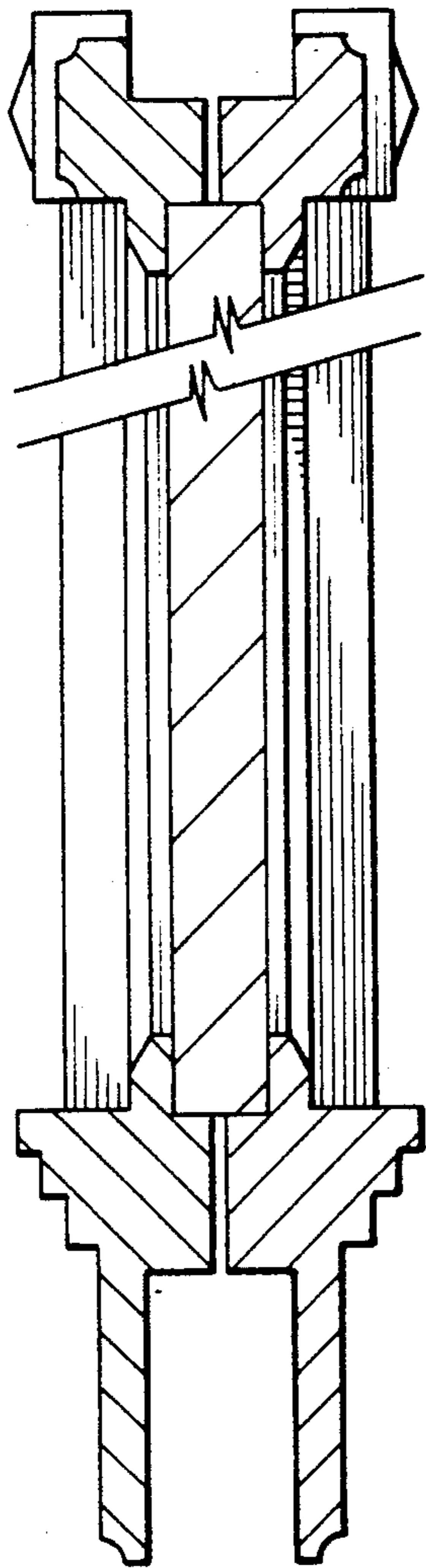


FIG. 5

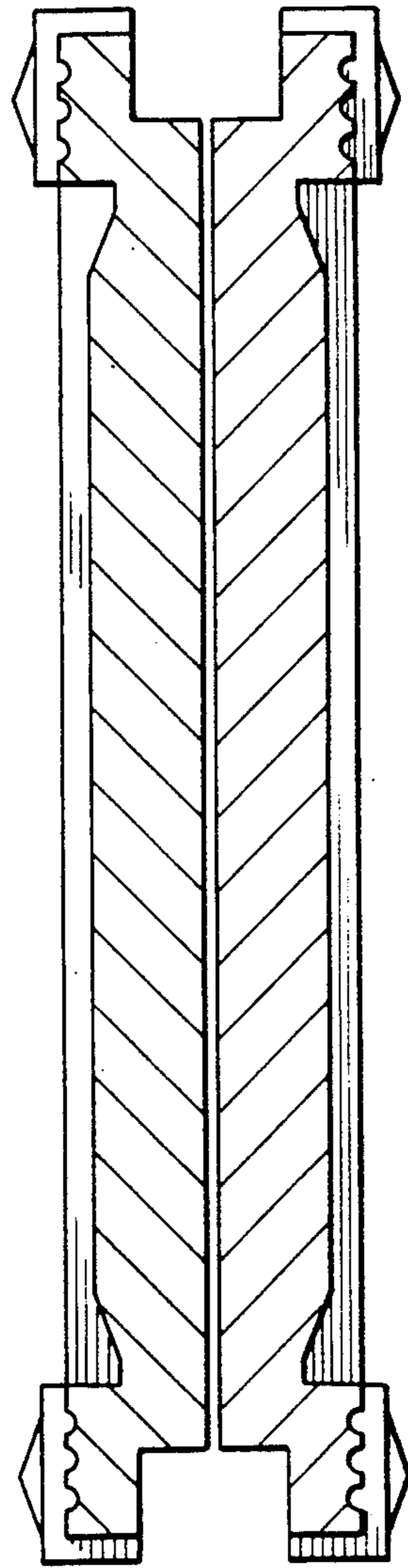


FIG. 6