

[54] BREATHING EXERCISER

[75] Inventor: Laszlo Tapolcai, Stamford, Conn.

[73] Assignee: Sherwood Medical Company, St. Louis, Mo.

[\*\*] Term: 14 Years

[21] Appl. No.: 269,099

[22] Filed: Nov. 8, 1988

[52] U.S. Cl. .... D24/164

[58] Field of Search ..... D24/8, 17; 128/728, 128/727, 725; 272/99

[56] References Cited

U.S. PATENT DOCUMENTS

D. 269,124	5/1983	McCombs et al. ....	D24/17
4,060,074	11/1977	Russo .....	272/99 X
4,114,608	9/1978	Russo .....	272/99 X
4,221,381	9/1980	Ericson .....	128/727 X
4,425,923	1/1984	Gordon et al. ....	272/99 X
4,499,905	1/1985	Greenberg et al. ....	128/727

OTHER PUBLICATIONS

Introducing the DHD Coach brochures dated 9/85.

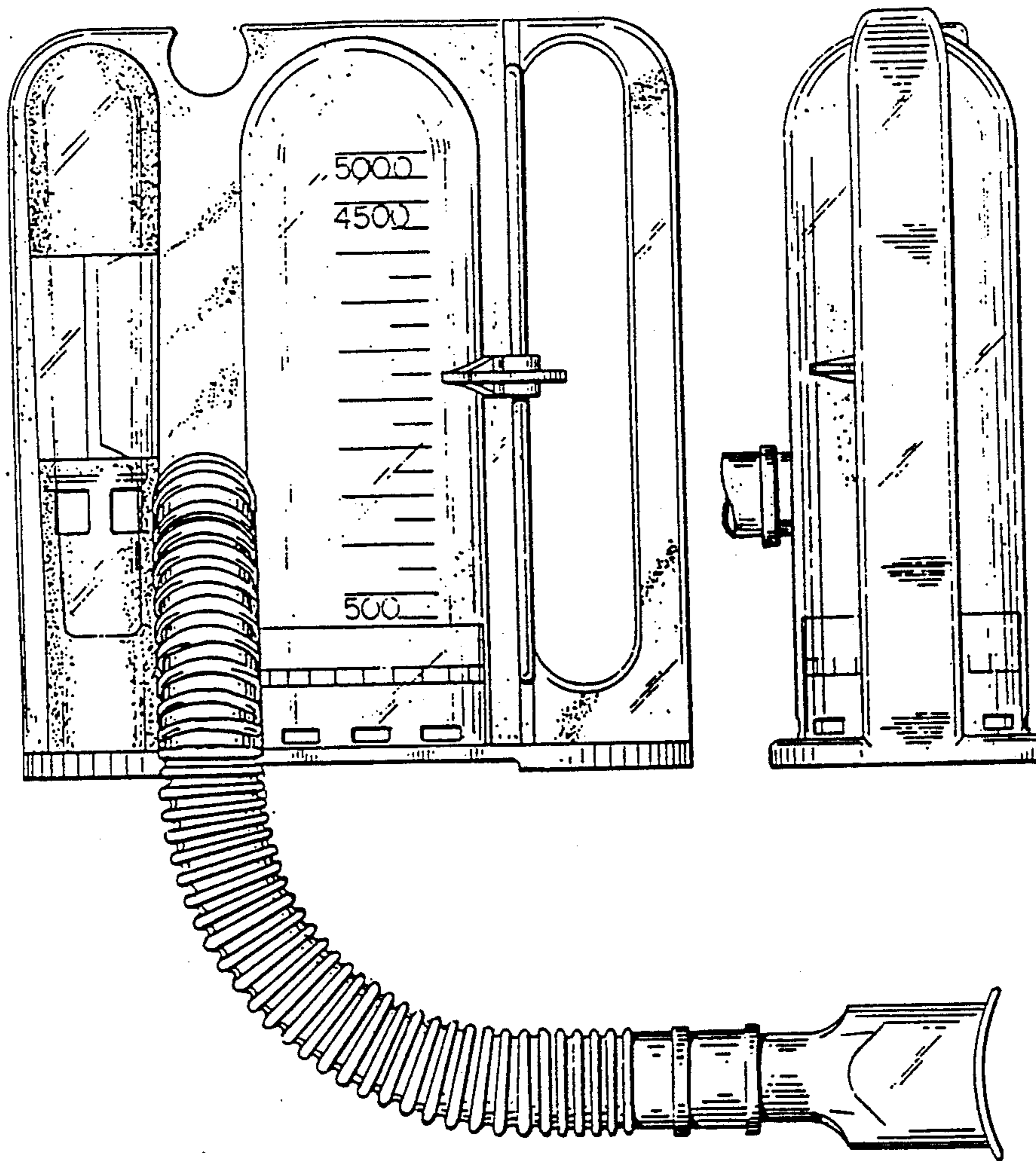
Primary Examiner—Stella Reid  
Attorney, Agent, or Firm—Andrew J. Beck;  
Montgomery W. Smith; Richard D. Allison

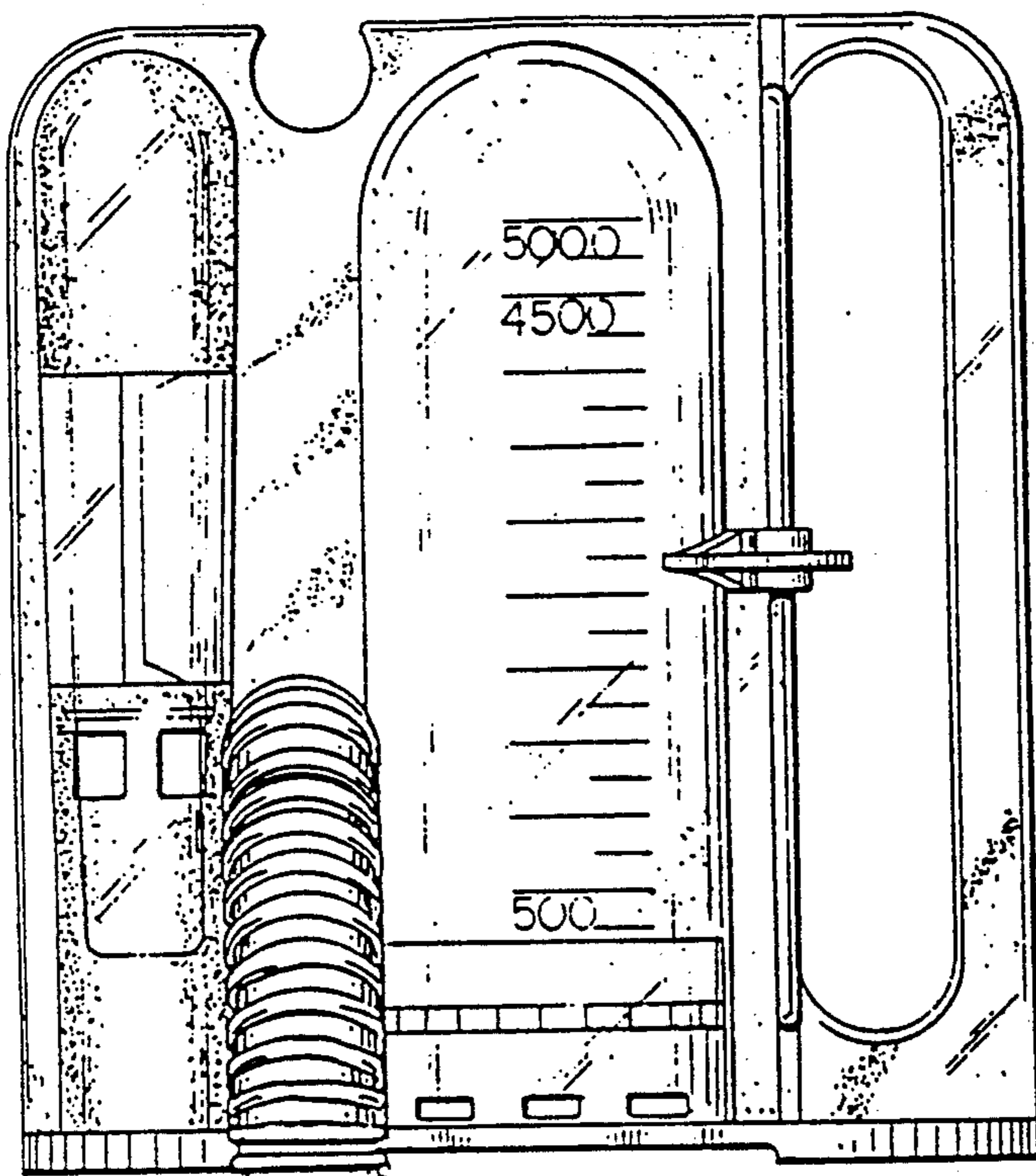
[57] CLAIM

The ornamental design for a breathing exerciser, as shown.

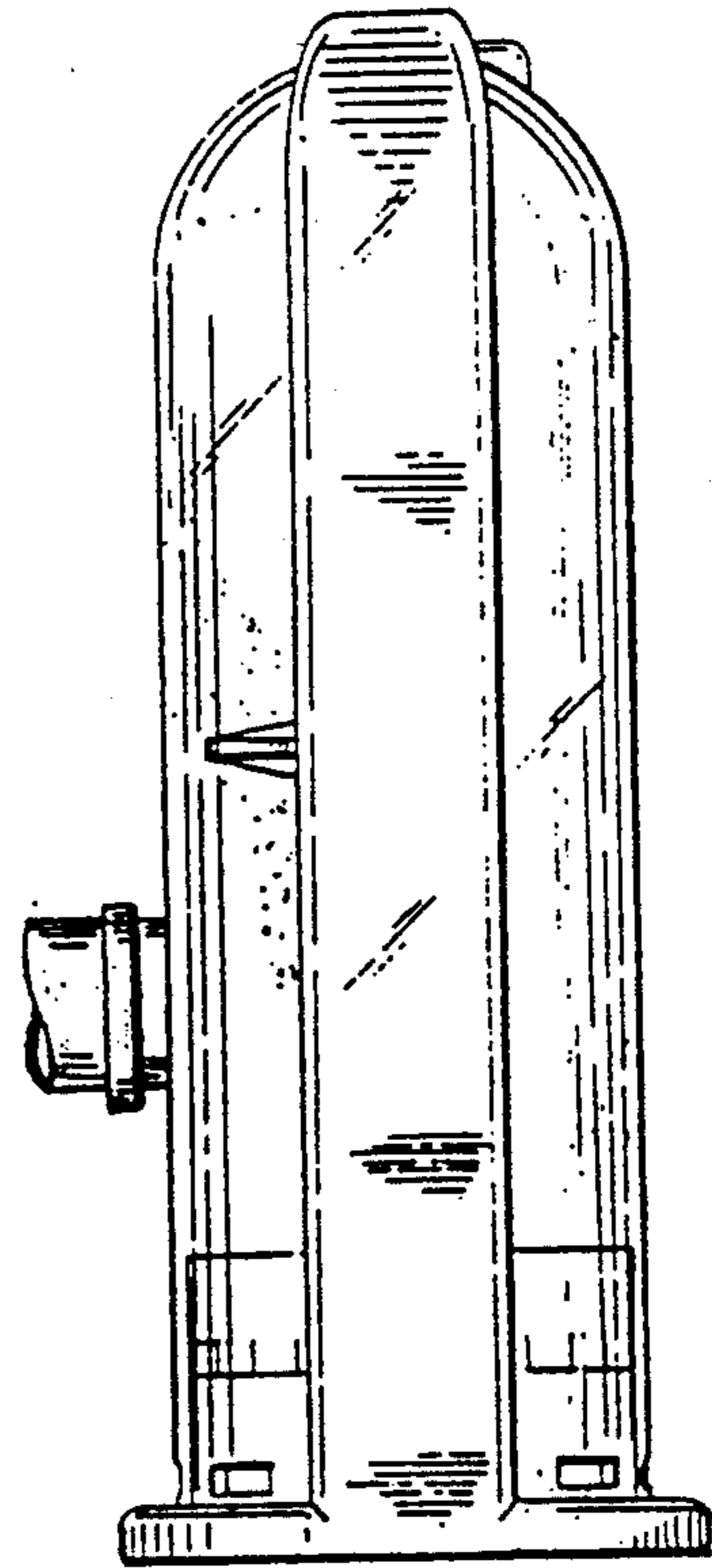
DESCRIPTION

FIG. 1 is a front elevational view of a breathing exerciser showing my new design;  
 FIG. 2 is a right side elevational view thereof with the hose and mouthpiece cut away;  
 FIG. 3 is a bottom plan view thereof with the hose and mouthpiece cut away;  
 FIG. 4 is a top plan view thereof, with the hose and mouthpiece cut away;  
 FIG. 5 is a rear elevational view thereof;  
 FIG. 6 is a left side elevational view thereof with the hose and mouthpiece cut away;  
 FIG. 7 is a side elevational view of the mouthpiece thereof with the hose cut away; and  
 FIG. 8 is an end elevational view of the mouthpiece thereof.

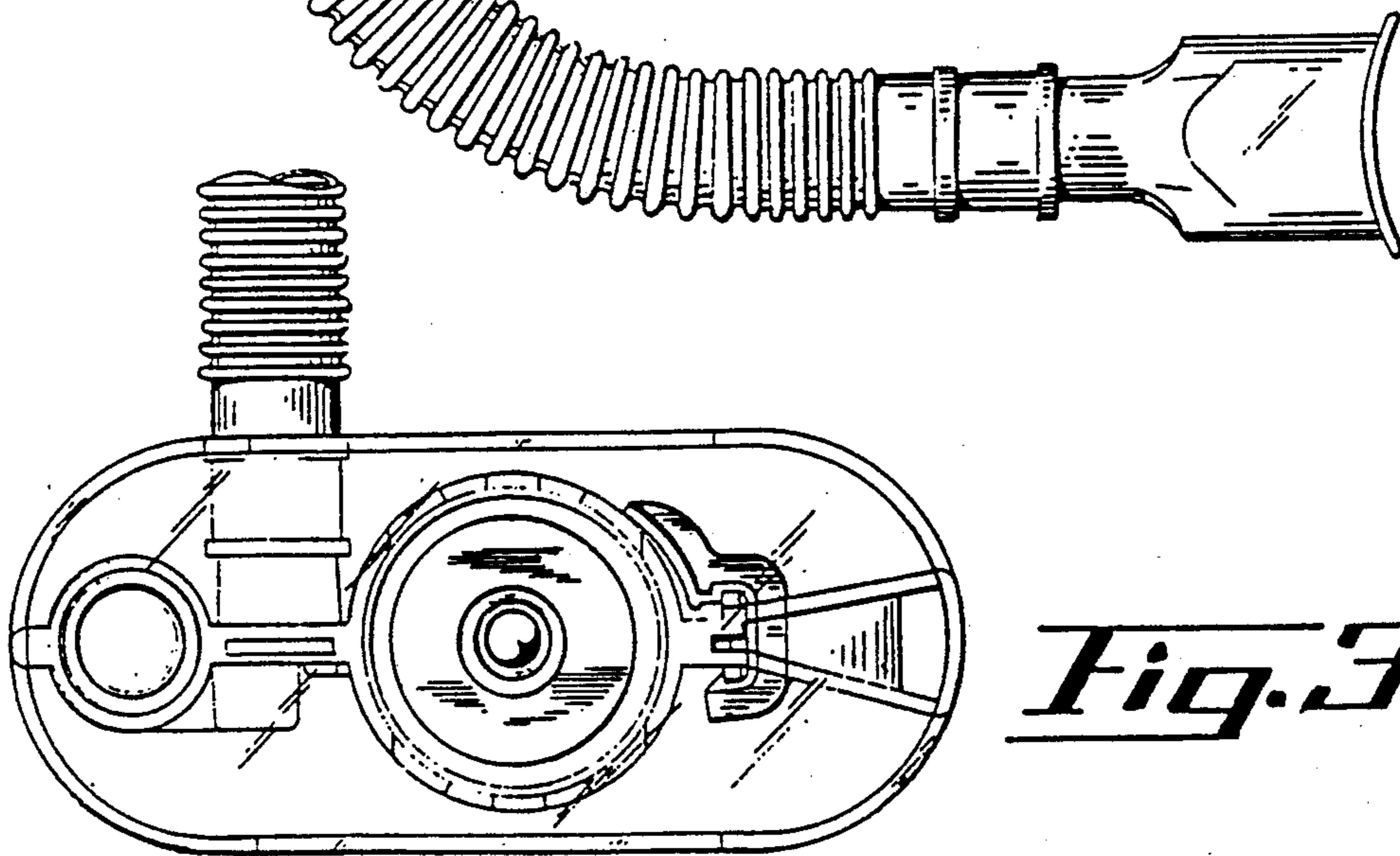




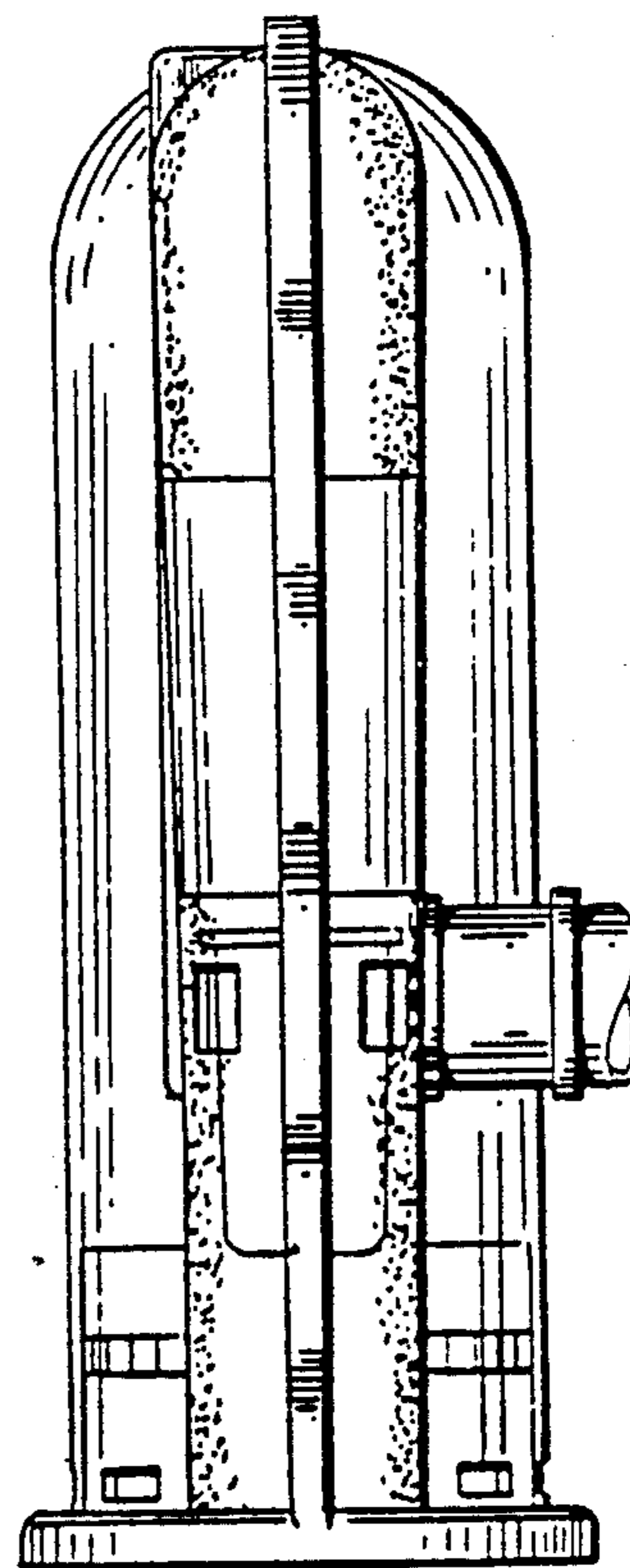
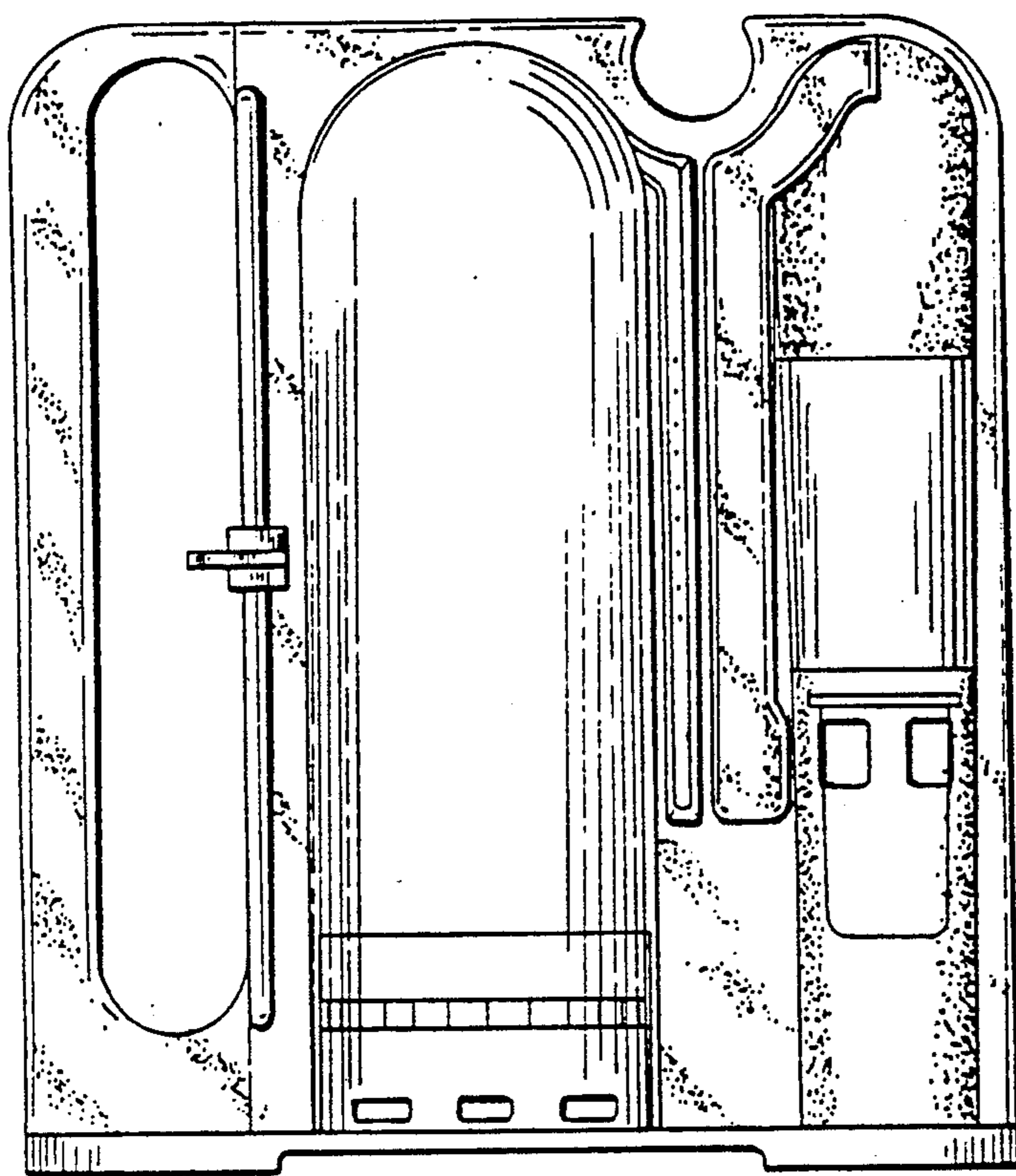
*Fig. 1.*



*Fig. 2.*

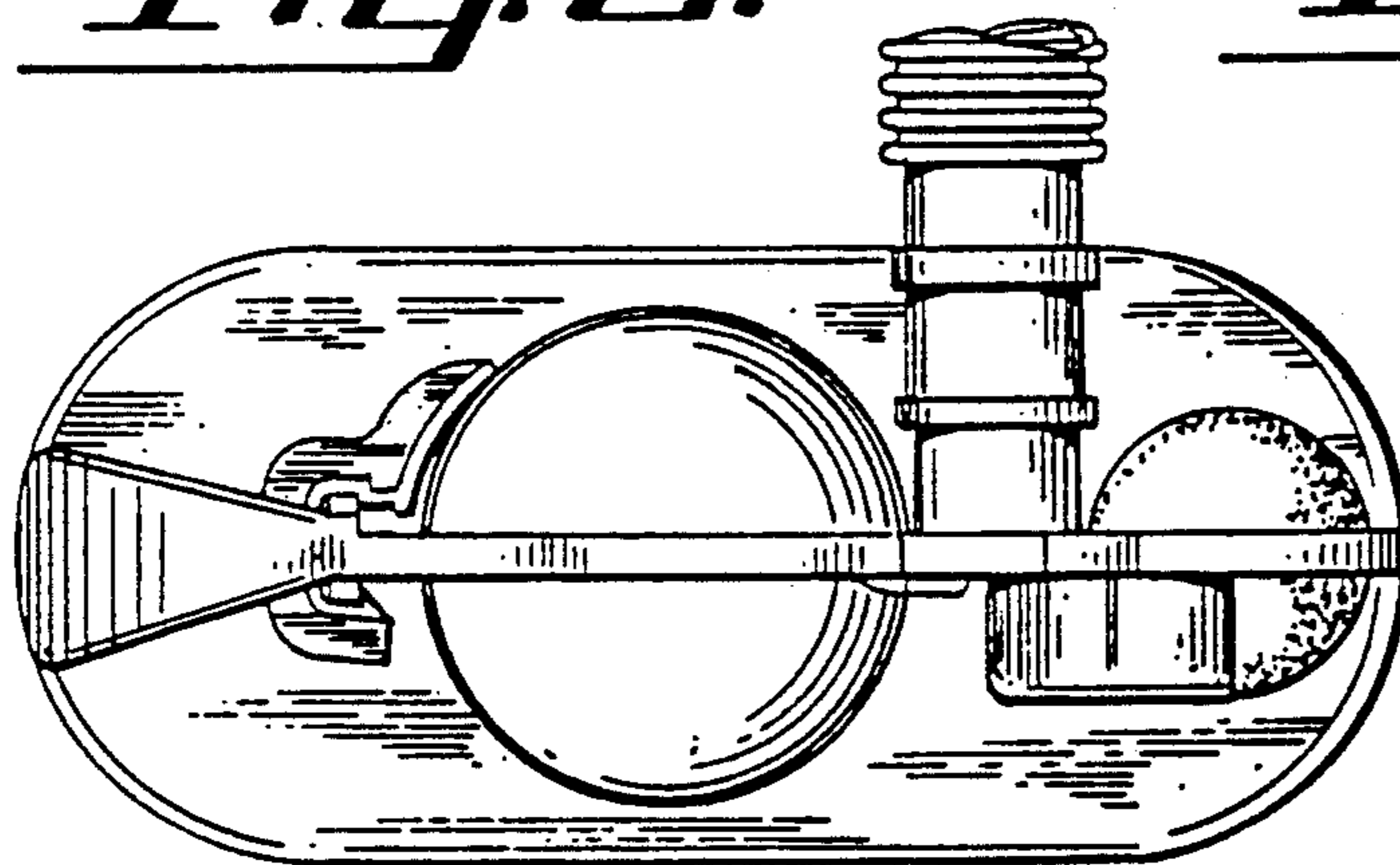


*Fig. 3.*

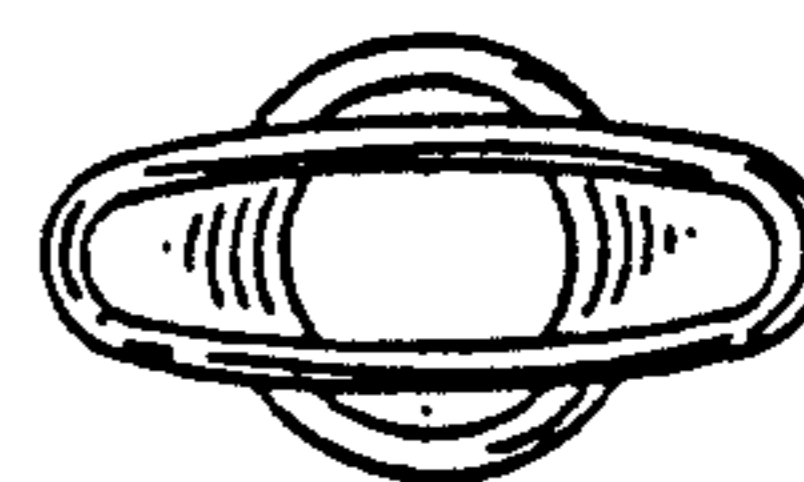


*Fig. 5.*

*Fig. 6.*



*Fig. 4.*



*Fig. 8.*



*Fig. 7.*