

[54] OPTHALMIC PROJECTOR
[75] Inventor: Werner Höelbl, Vienna, Austria
[73] Assignee: Cambridge Instruments Inc., Buffalo, N.Y.
[**] Term: 14 Years
[21] Appl. No.: 245,547
[22] Filed: Sep. 19, 1988
[52] U.S. Cl. D24/150; D16/221
[58] Field of Search D24/17; D10/46; 351/1, 351/6, 7, 23, 24, 27, 28, 39, 200

3,181,351 5/1965 Stauffer 351/200
4,802,756 2/1989 Feinbloom 351/200

Primary Examiner—Wallace R. Burke
Assistant Examiner—Marcus Jackson
Attorney, Agent, or Firm—Bean, Kauffman & Spencer

[57] CLAIM

The ornamental design for an ophthalmic projector, as shown and described.

DESCRIPTION

FIG. 1 is a left side elevational view of an ophthalmic projector showing my new design with the broken lines showing for illustrative purposes only and forming no part of the claimed design;
FIG. 2 is a top plan view thereof;
FIG. 3 is a rear elevational view thereof;
FIG. 4 is a front elevational view thereof; and
FIG. 5 is a bottom plan view thereof.

[56] References Cited
U.S. PATENT DOCUMENTS
D. 280,549 9/1985 Seager D24/8
1,887,708 11/1932 Cameron 351/200

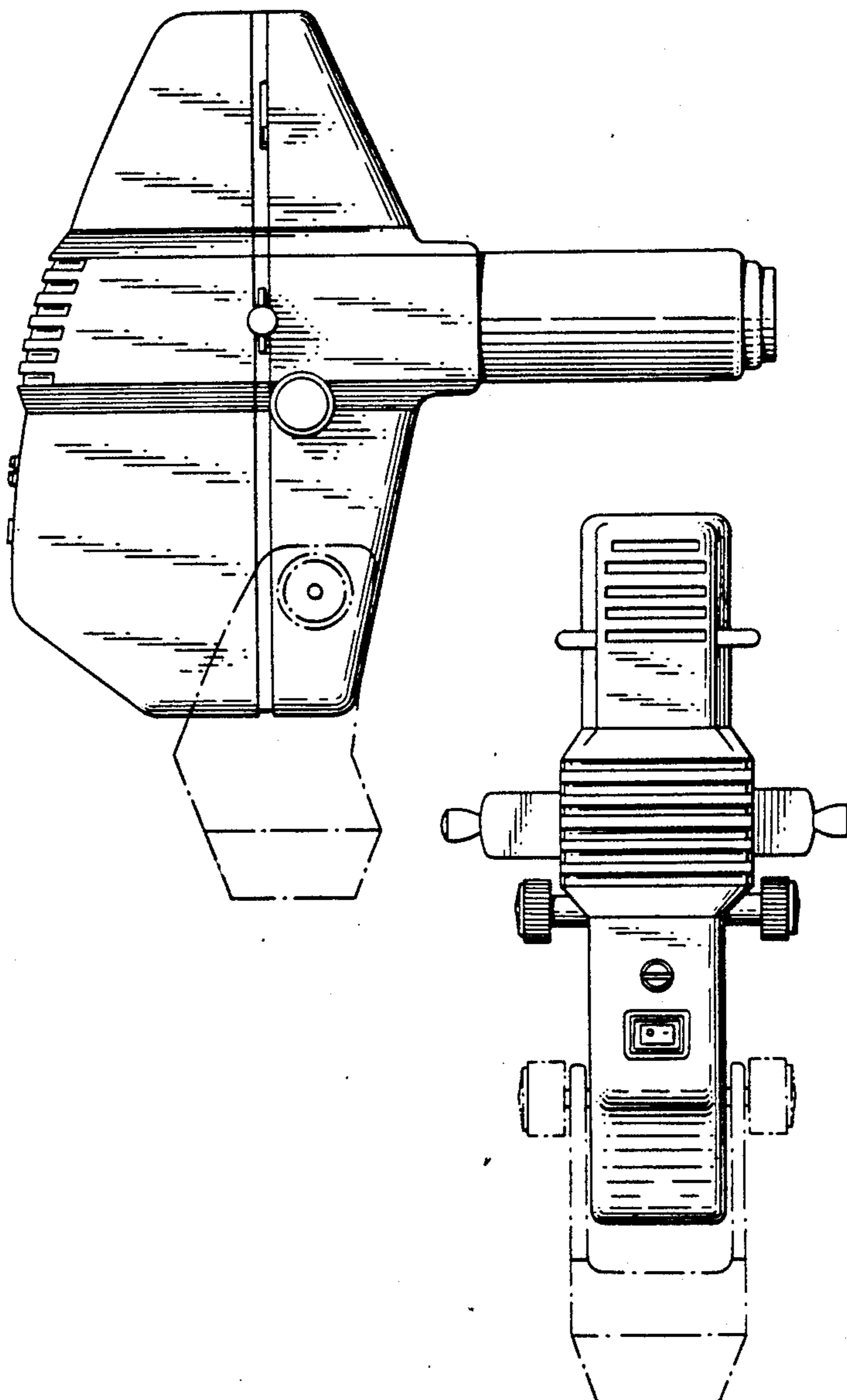


Fig. 2.

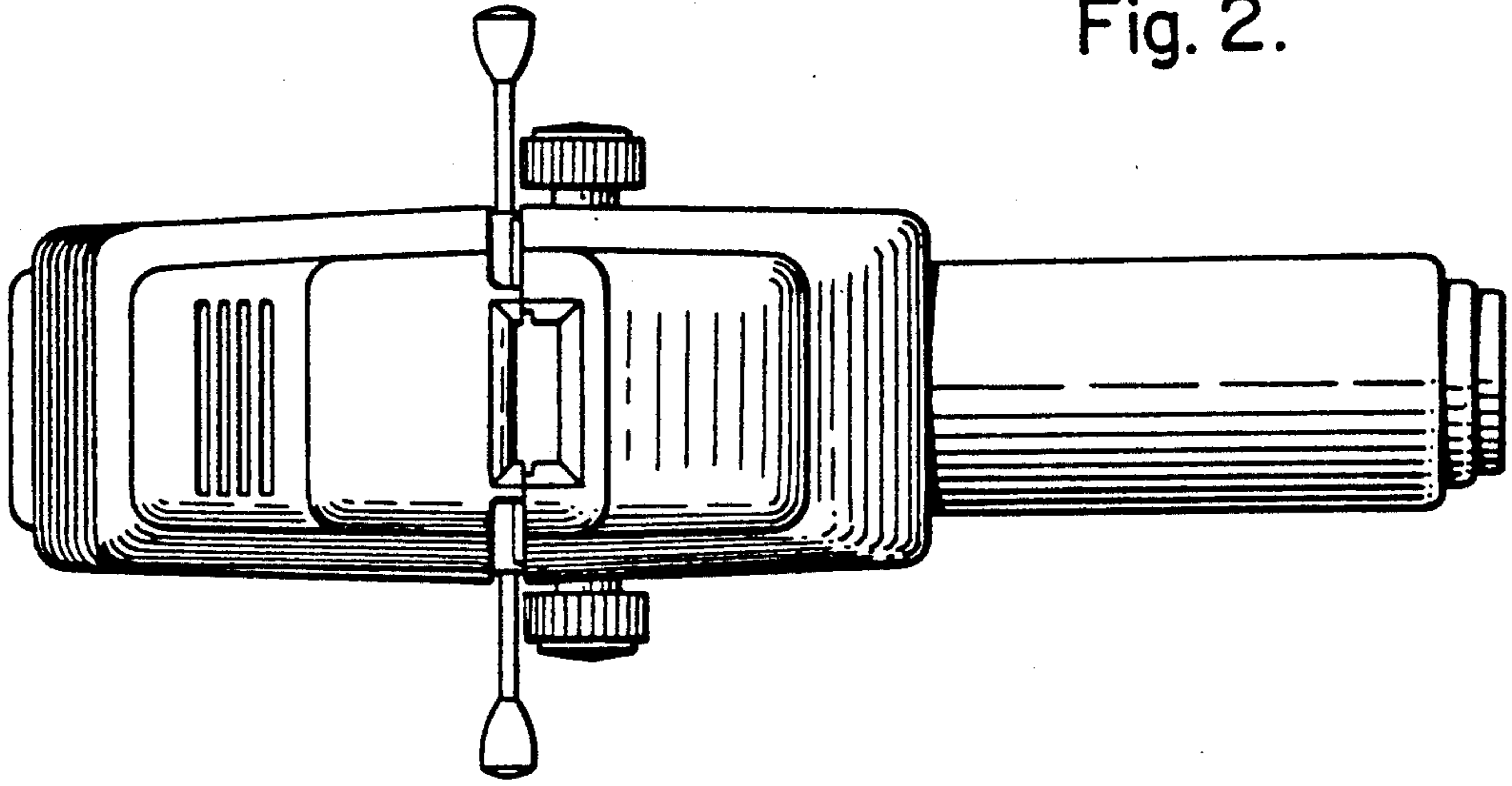


Fig. 1.

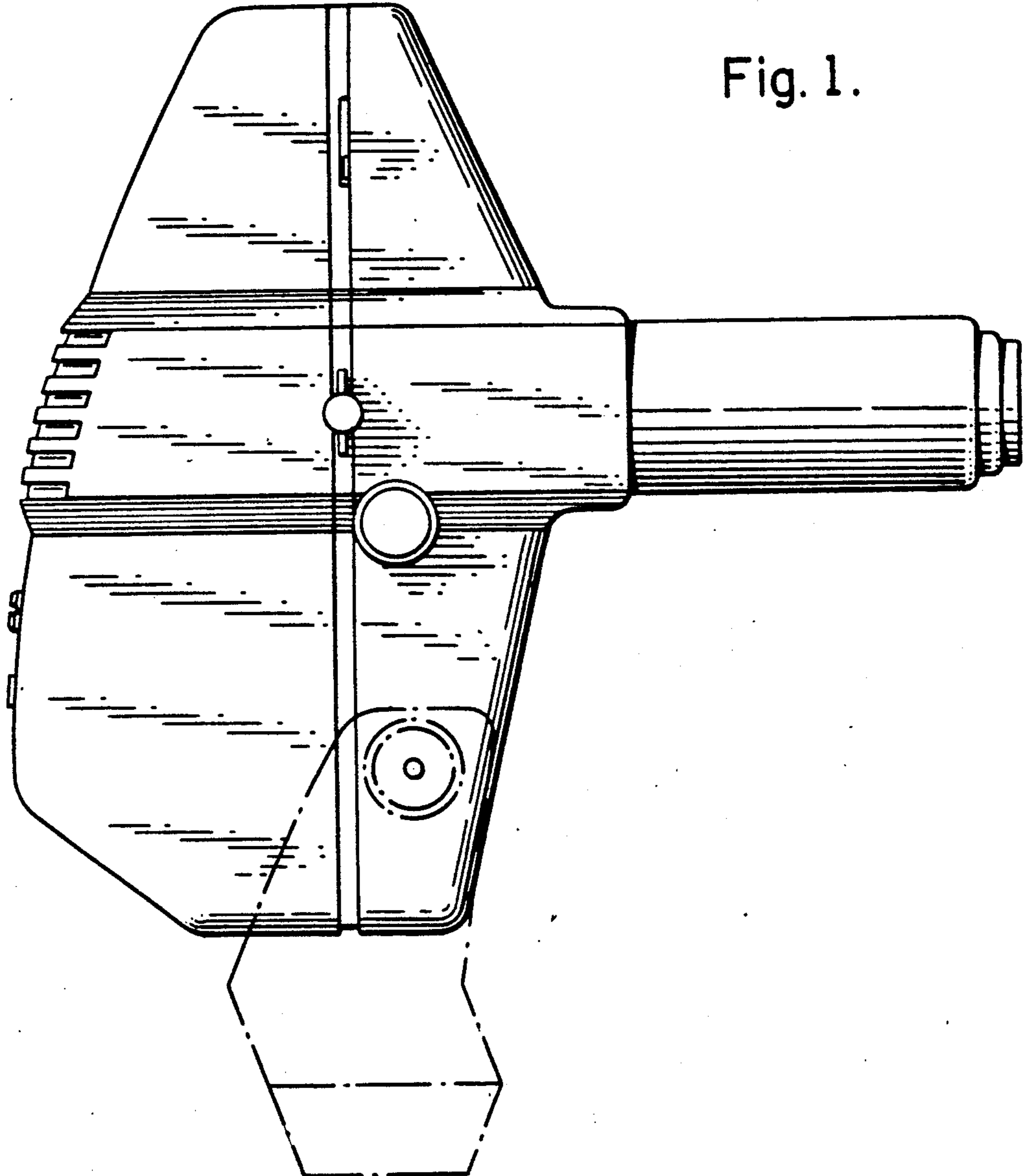


Fig. 3.

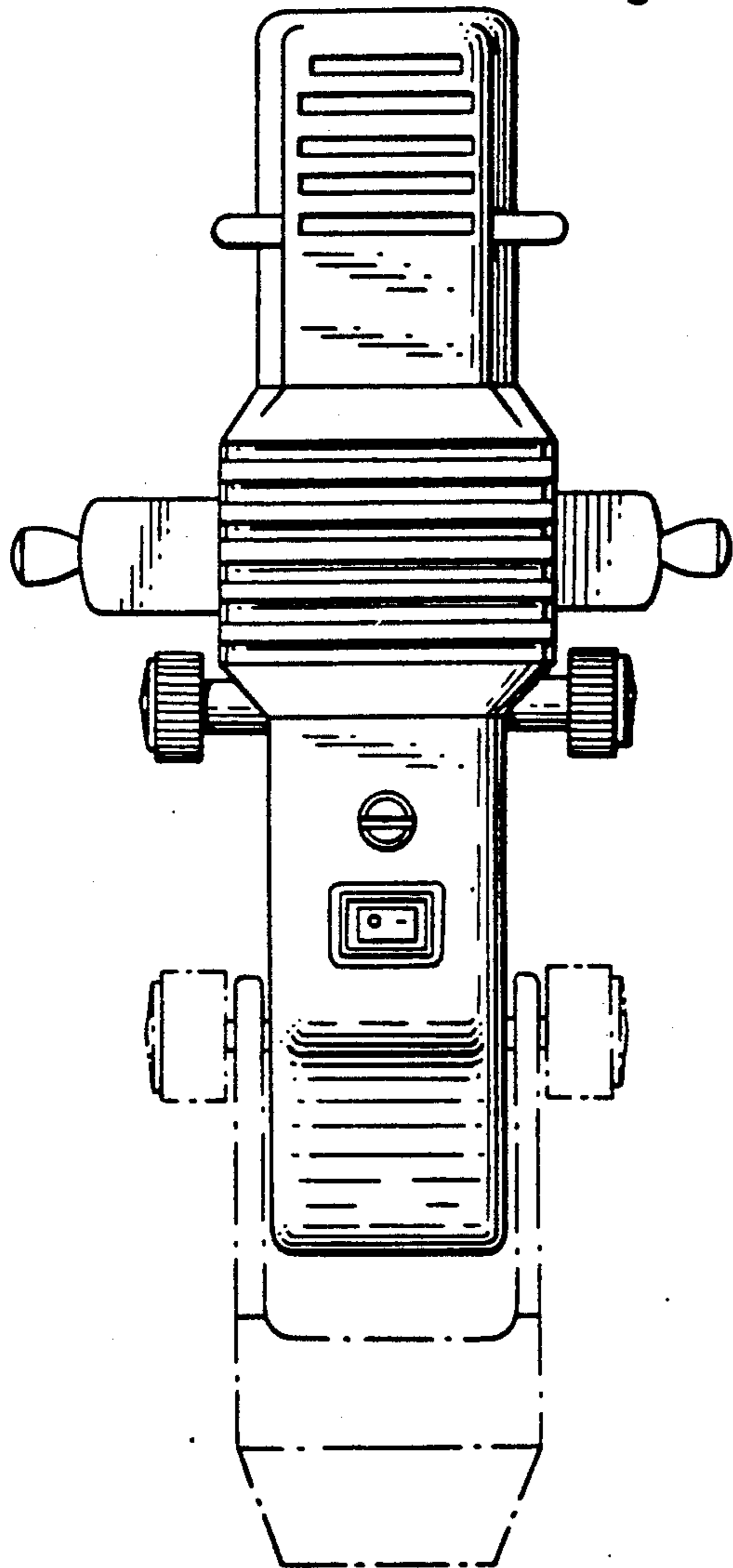


Fig. 4.

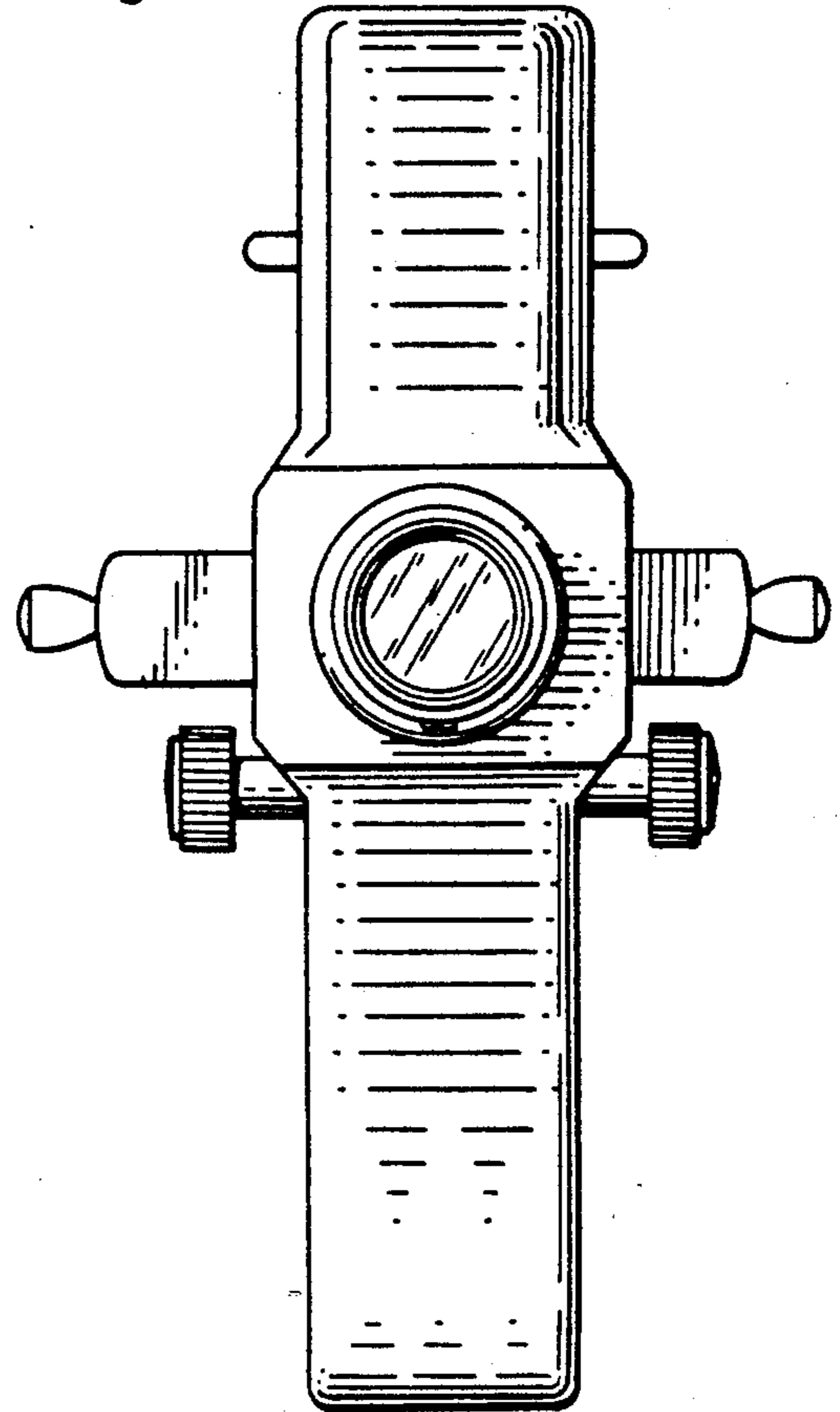


Fig. 5.

