

[54] DENTAL BURR HOLDER

[76] Inventor: Melvin R. Rouse, 1056 Serpentine La., Pleasanton, Calif. 94566

[**] Term: 14 Years

[21] Appl. No.: 312,565

[22] Filed: Feb. 17, 1989

[52] U.S. Cl. D24/147; D24/176

[58] Field of Search D24/4, 5, 10-16; 433/2; 211/69; D9/341

[56] References Cited

U.S. PATENT DOCUMENTS

47,493	6/1915	Levin	D24/10
D. 167,937	10/1952	Friedel	211/69 X
D. 210,278	2/1968	White	D24/10
D. 256,950	9/1980	Sable	D24/10
D. 274,885	7/1984	Joice et al	D9/341
1,451,806	4/1923	Baldrige	211/69 X

3,270,416 9/1966 Massa 211/69 X

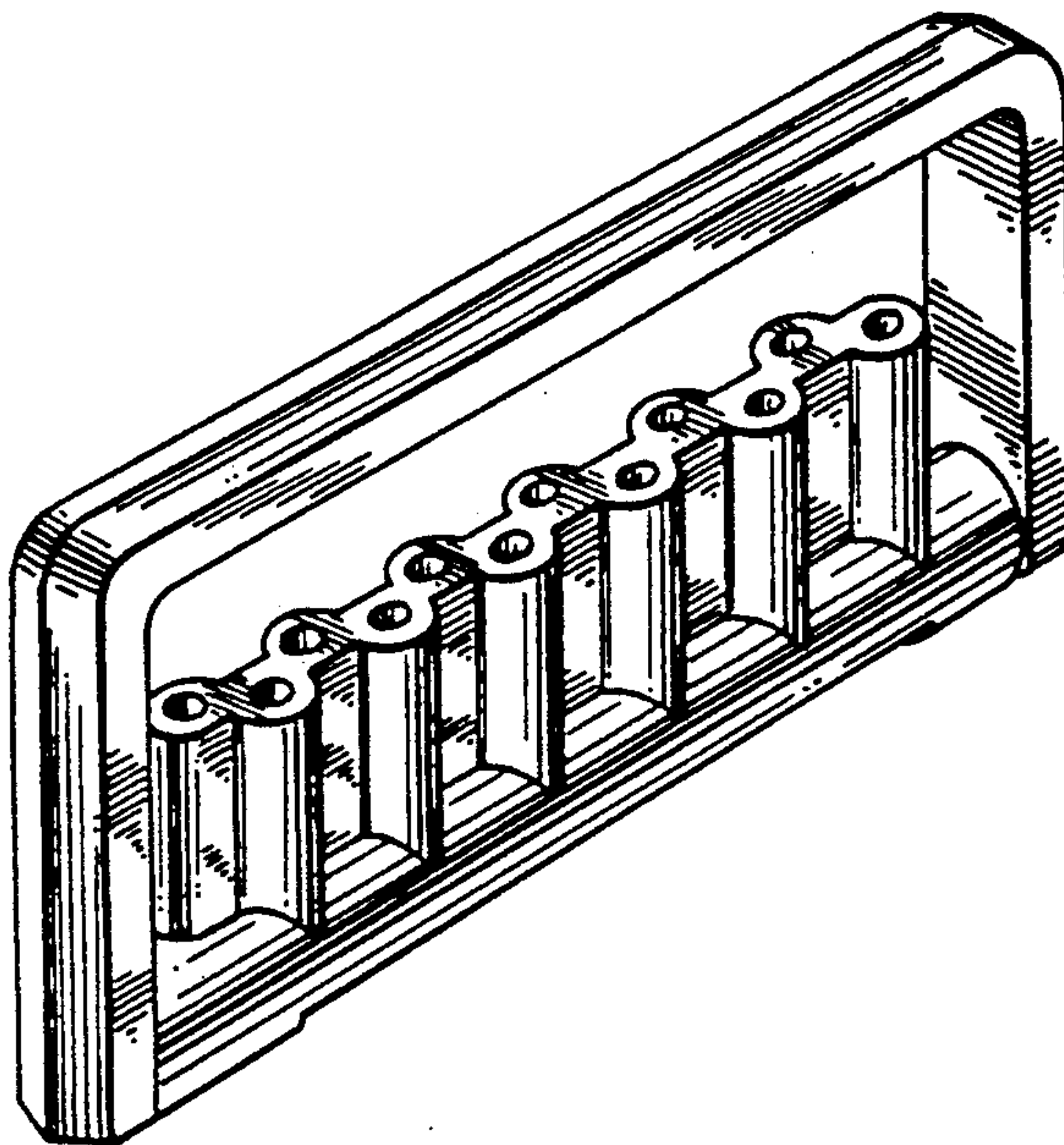
Primary Examiner—Susan J. Lucas
Assistant Examiner—M. H. Tung
Attorney, Agent, or Firm—Roy A. Ekstrand

[57] CLAIM

The ornamental design for a dental burr holder, as shown and described.

DESCRIPTION

FIG. 1 is a front perspective view of a dental burr holder showing my new design; FIG. 2 is a top plan view thereof; FIG. 3 is a front elevational view thereof; FIG. 4 is a rear elevational view thereof; FIG. 5 is a bottom plan view thereof; FIG. 6 is a left side elevational view thereof, the right side being identical; FIG. 7 is a front perspective view thereof, the rectangular frame pivoted 90 degrees.



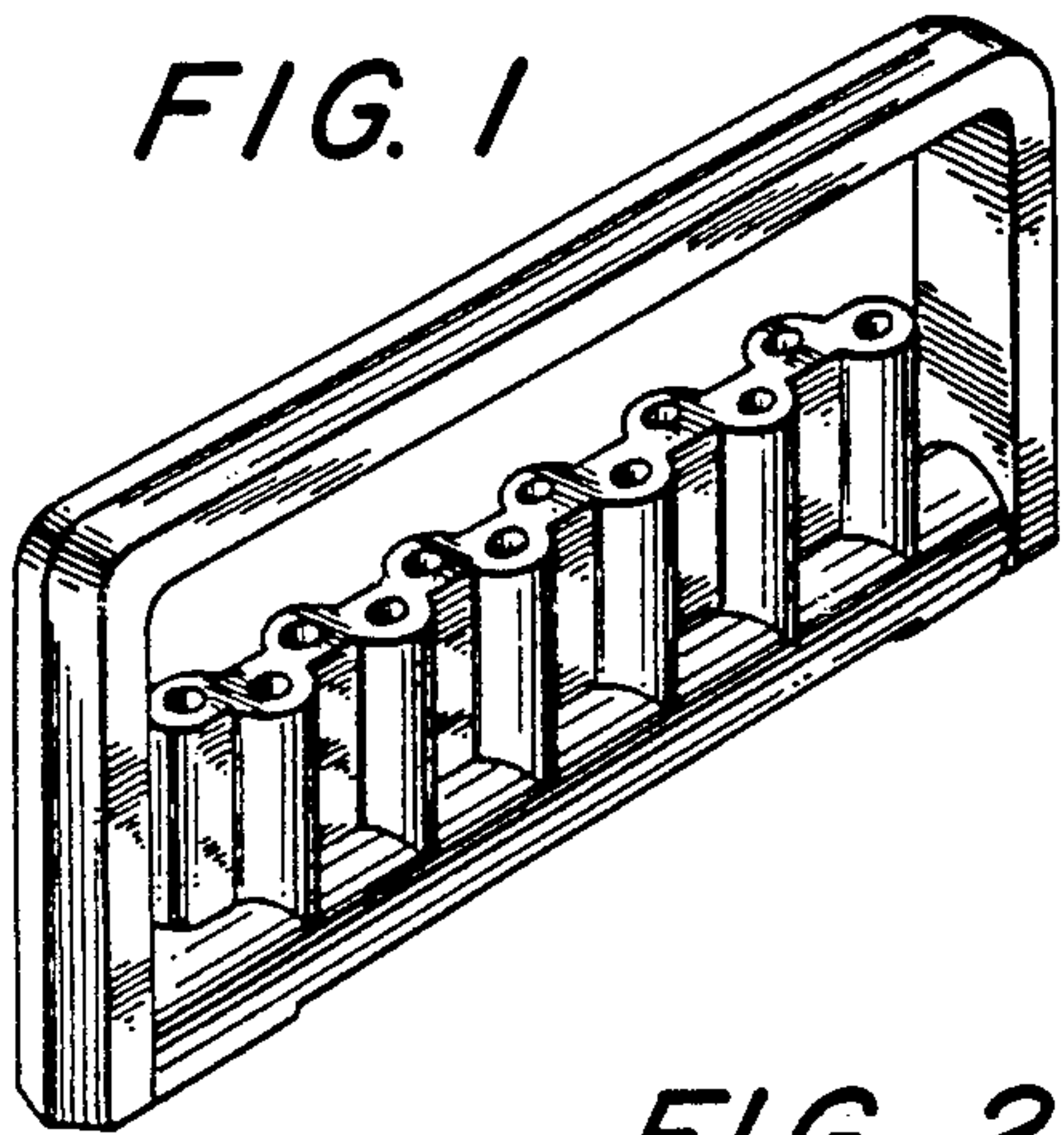


FIG. 2

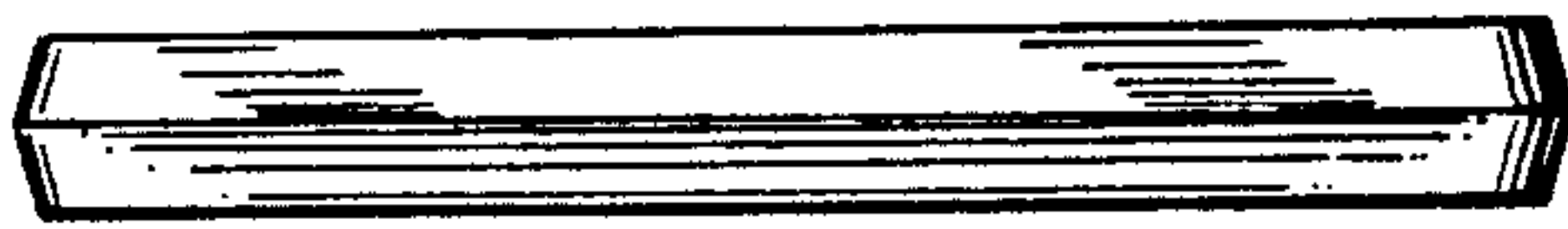


FIG. 5

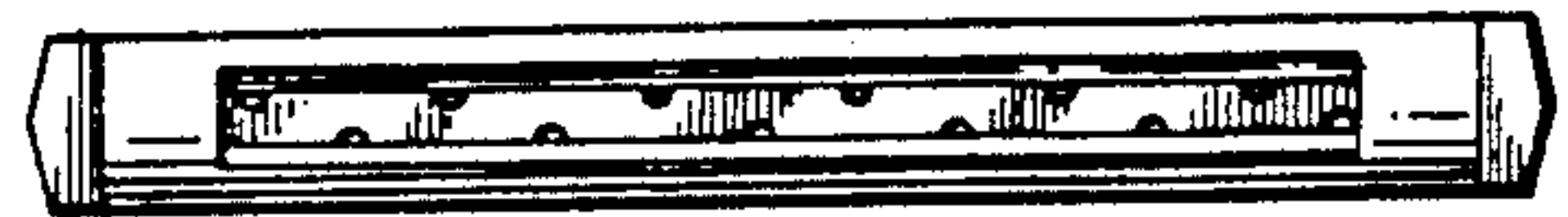


FIG. 3

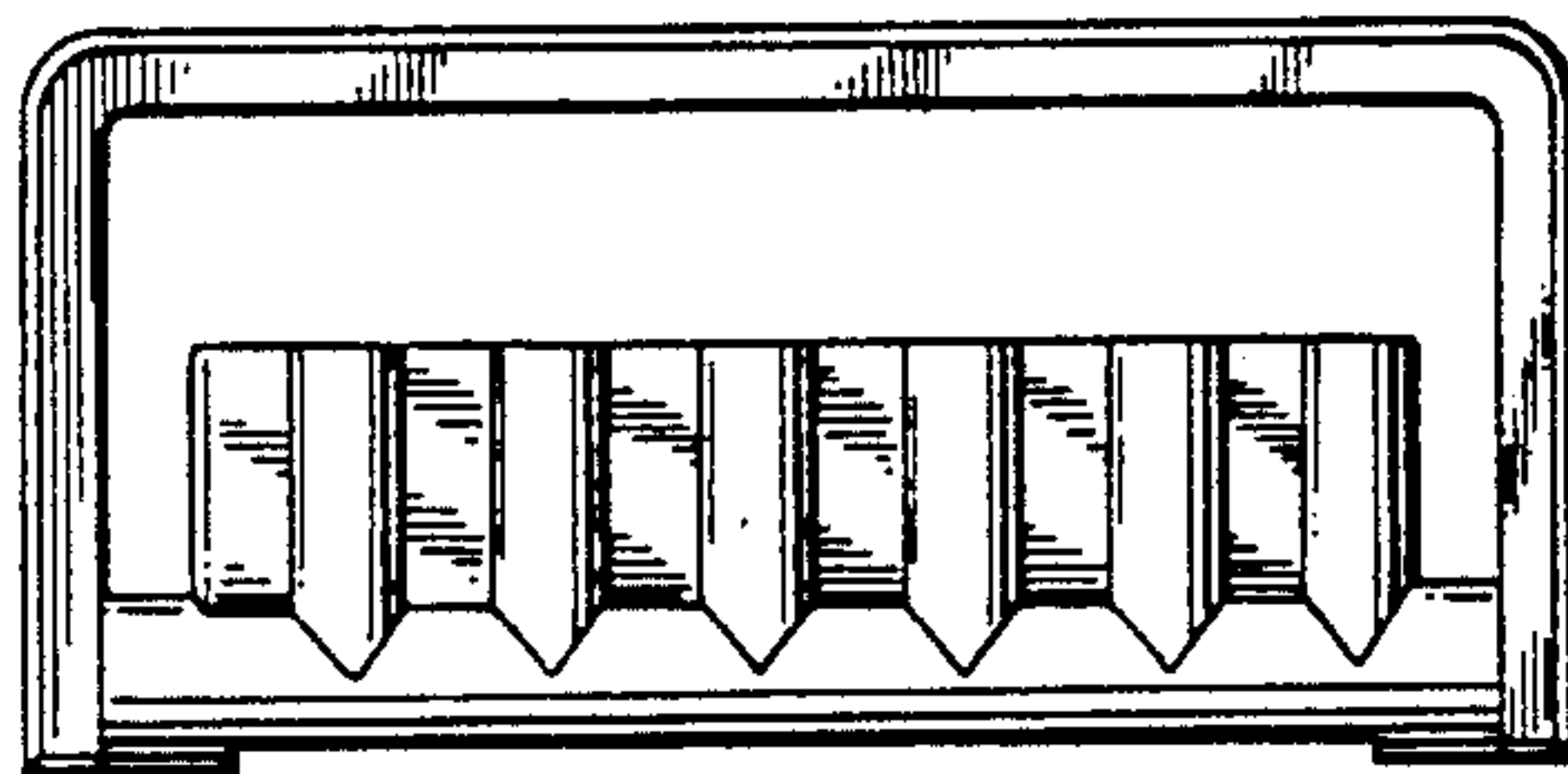


FIG. 6



FIG. 4

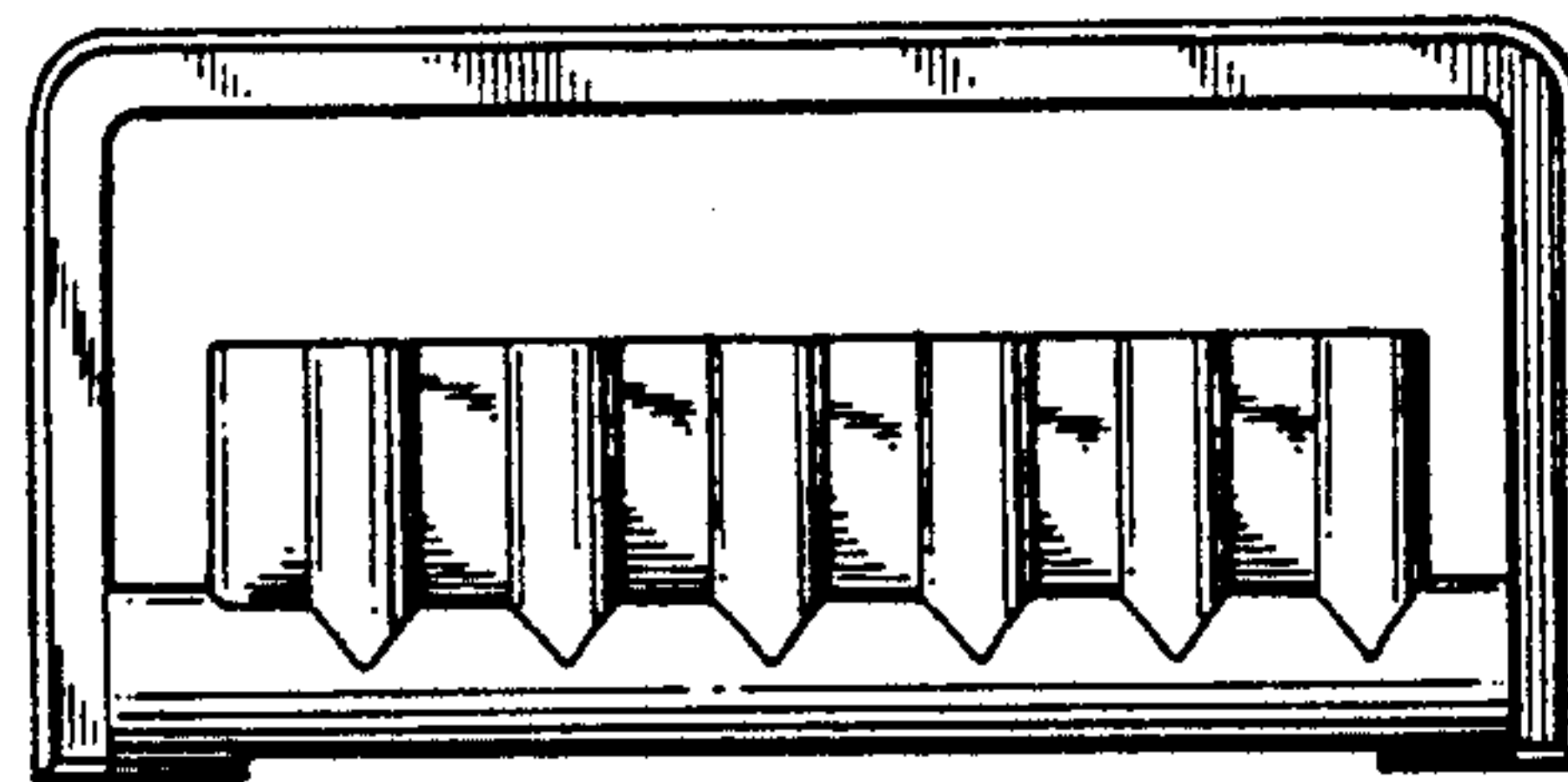


FIG. 7

