

[54] SUN SHADE FOR A WINDOW AIR
CONDITIONER

[76] Inventor: Frankie Holt, 1820 Marshall St.,
Columbia, S.C. 29203

[**] Term: 14 Years

[21] Appl. No.: 522,849

[22] Filed: May 14, 1990

[52] U.S. Cl. D23/354

[58] Field of Search D23/354, 351; 98/94.2,
98/40.1; 62/262, 263; 52/74, 77, 78; D25/56,
53, 57, 155, 152, 153, 156, 154, 155

[56] References Cited

U.S. PATENT DOCUMENTS

D. 168,895	2/1953	Jones	D25/56
D. 168,896	2/1953	Jones	D25/56
D. 220,397	4/1971	Melcher	D23/354
1,918,149	7/1933	Sullivan	D25/154
2,874,551	2/1959	Bradbury et al.	62/262
2,901,989	9/1959	Mondi	108/3
2,941,380	6/1960	Garred	62/262

4,730,432	3/1988	Hughes	52/173 R
4,732,012	3/1988	Thorpe	62/304
4,768,350	9/1988	Moran, Jr.	62/DIG. 16

Primary Examiner—James M. Gandy
Assistant Examiner—Lisa Lichtenstein
Attorney, Agent, or Firm—Benoni O. Reynolds

[57] CLAIM

The ornamental design for a sun shade for a window air conditioner, as shown and described.

DESCRIPTION

FIG. 1 is a front, top, and left side perspective view of a sun shade for a window air conditioner showing my new design;

FIG. 2 is a front elevation view thereof;

FIG. 3 is a rear elevation view thereof;

FIG. 4 is a bottom plan view thereof;

FIG. 5 is a left side elevation view thereof the right side being a mirror image of that shown; and

FIG. 6 is a top plan view thereof.

The broken line showing of an air conditioner in FIGS. 1 and 2 is for illustrative purposes only and forms no part of the claimed design.

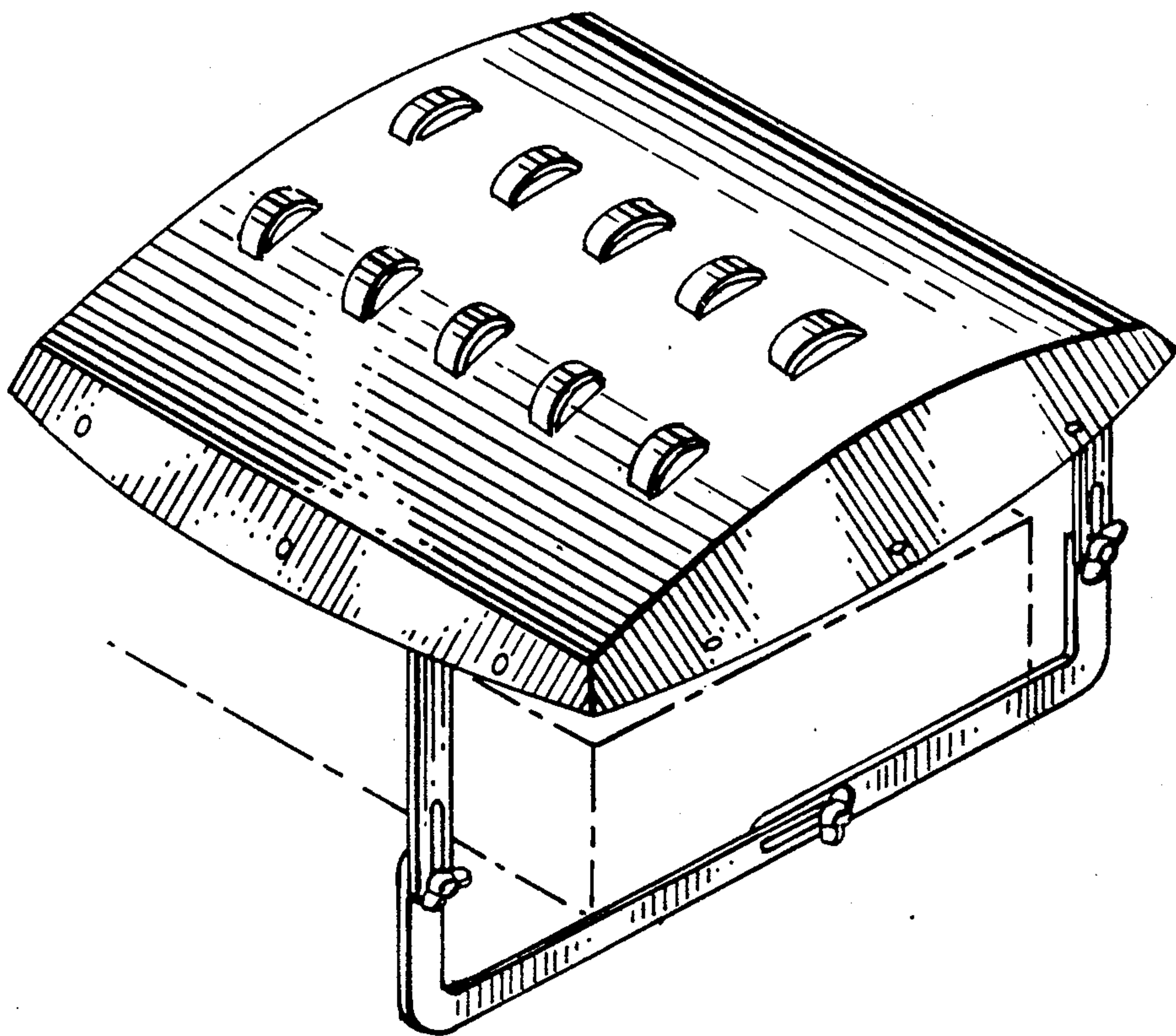


FIG. 1

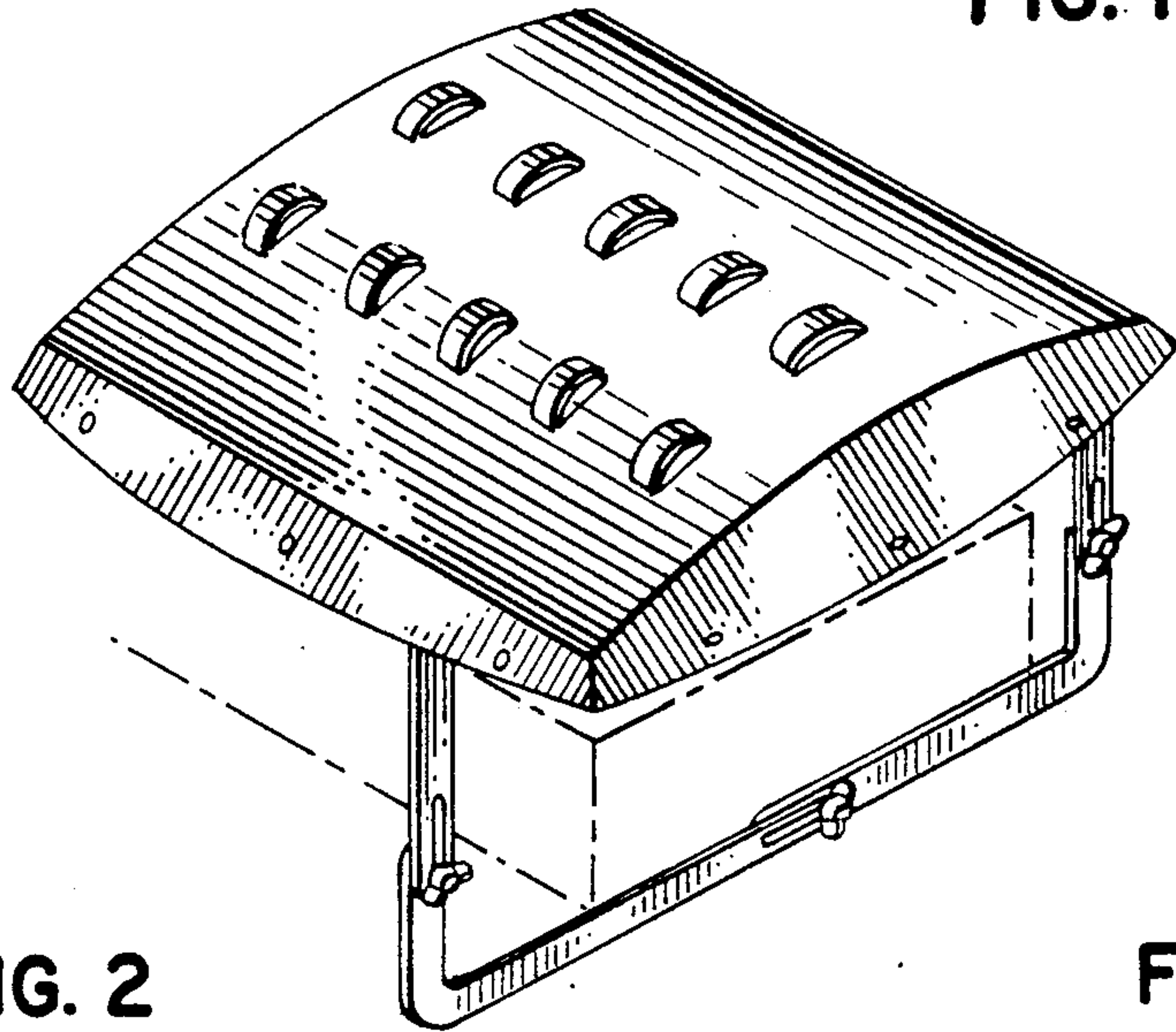


FIG. 2

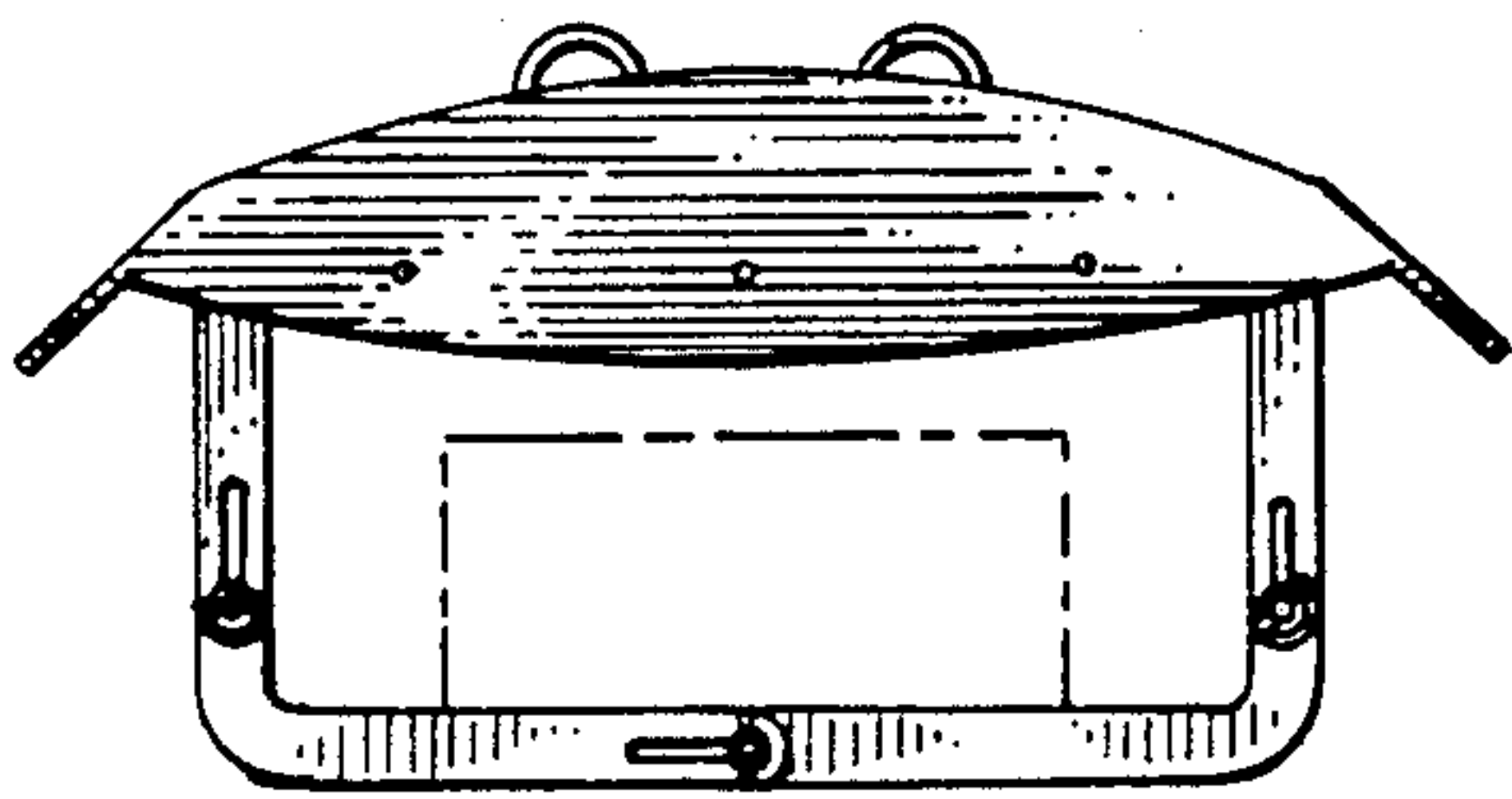


FIG. 5

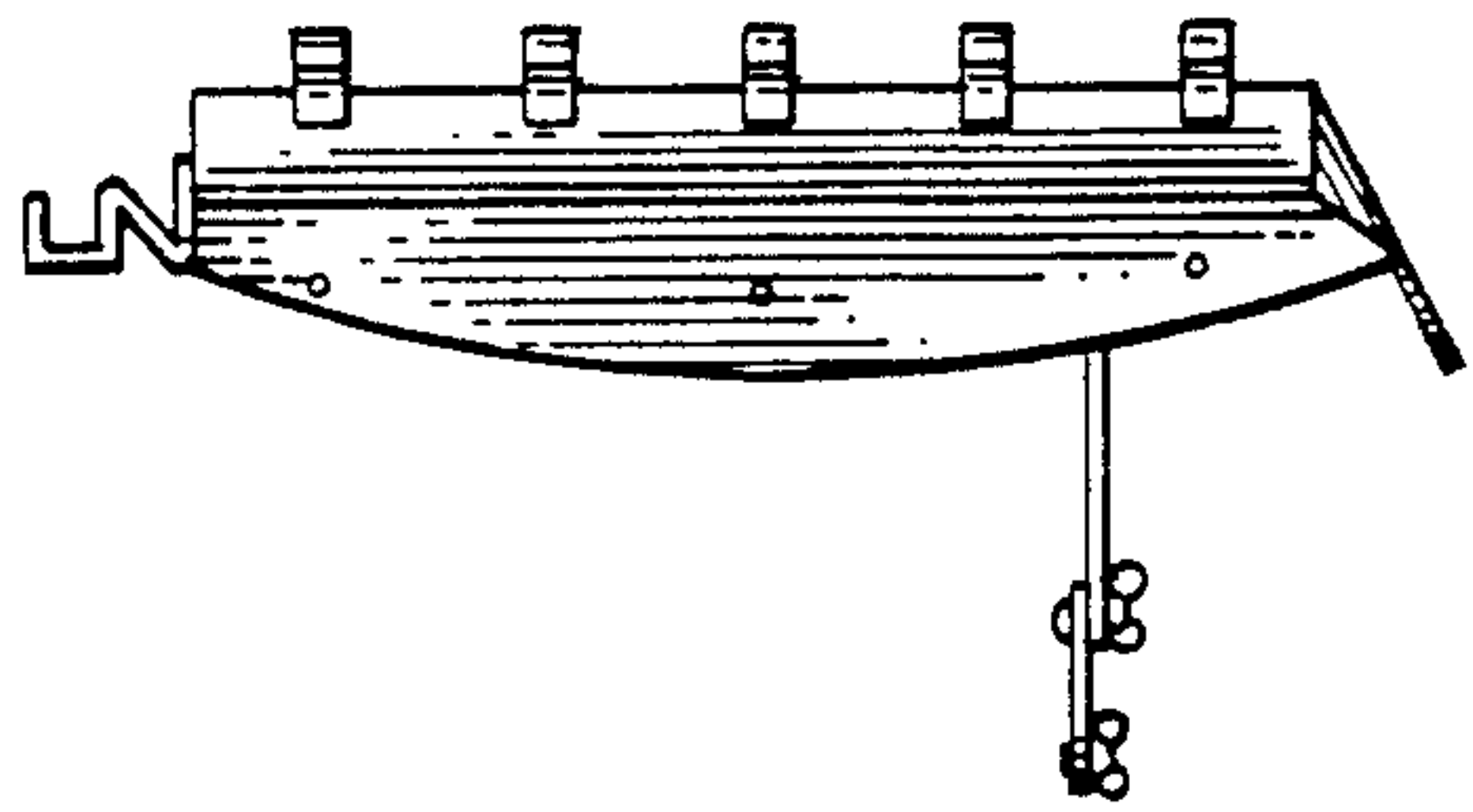


FIG. 3

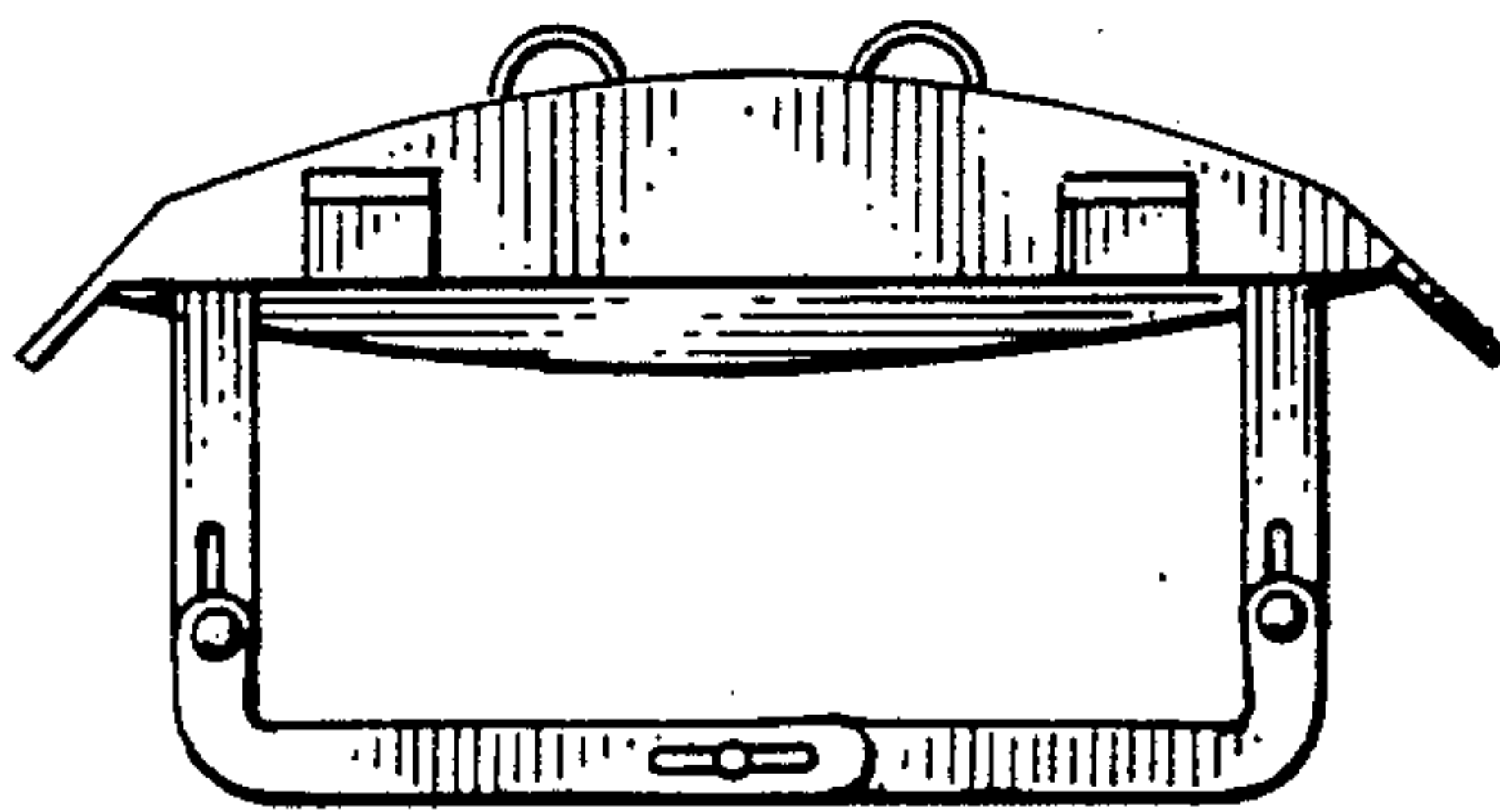


FIG. 6

FIG. 4

