

[54] LAVATORY

[75] Inventor: Rik Cuttriss, Fillmore, Calif.

[73] Assignee: Gruber Systems, Inc., Valencia, Calif.

[**] Term: 14 Years

[21] Appl. No.: 448,592

[22] Filed: Dec. 11, 1989

[52] U.S. Cl. D23/294

[58] Field of Search D23/270-274,
D23/284-294, 308; 4/619, 625, 630-659

[56] References Cited

U.S. PATENT DOCUMENTS

- D. 177,587 5/1956 Ponti D23/294
- D. 191,432 10/1961 Chapman D23/294
- D. 191,860 12/1961 Holberson D23/294
- D. 202,410 9/1965 Sundberg et al. D23/294
- D. 211,524 6/1968 Plantholt D23/294
- D. 217,967 7/1970 Korol D23/284
- D. 217,968 7/1970 Armstrong D23/293
- D. 218,520 8/1970 Audino et al. D23/294
- D. 222,586 11/1971 Hives D23/294
- D. 232,638 9/1974 Mather D23/284
- D. 235,374 6/1975 Korol D23/294

- D. 240,825 8/1976 Gruber D23/294
- D. 260,678 9/1981 Hiller D23/294 X
- D. 262,485 12/1981 Wissinger D23/284 X
- D. 315,402 3/1991 Lenahan D23/294

OTHER PUBLICATIONS

Ingersoll-Humphryes Div. of Borg-Warner Corp. brochure, p. 2, bottom 2 rows of sinks.

Primary Examiner—James R. Lergen

Attorney, Agent, or Firm—Poms, Smith, Lande & Rose

[57] CLAIM

The ornamental design for a lavatory, as shown and described.

DESCRIPTION

FIG. 1 is a right side elevational view of a lavatory showing my new design, the left side being a mirror image of the right side;

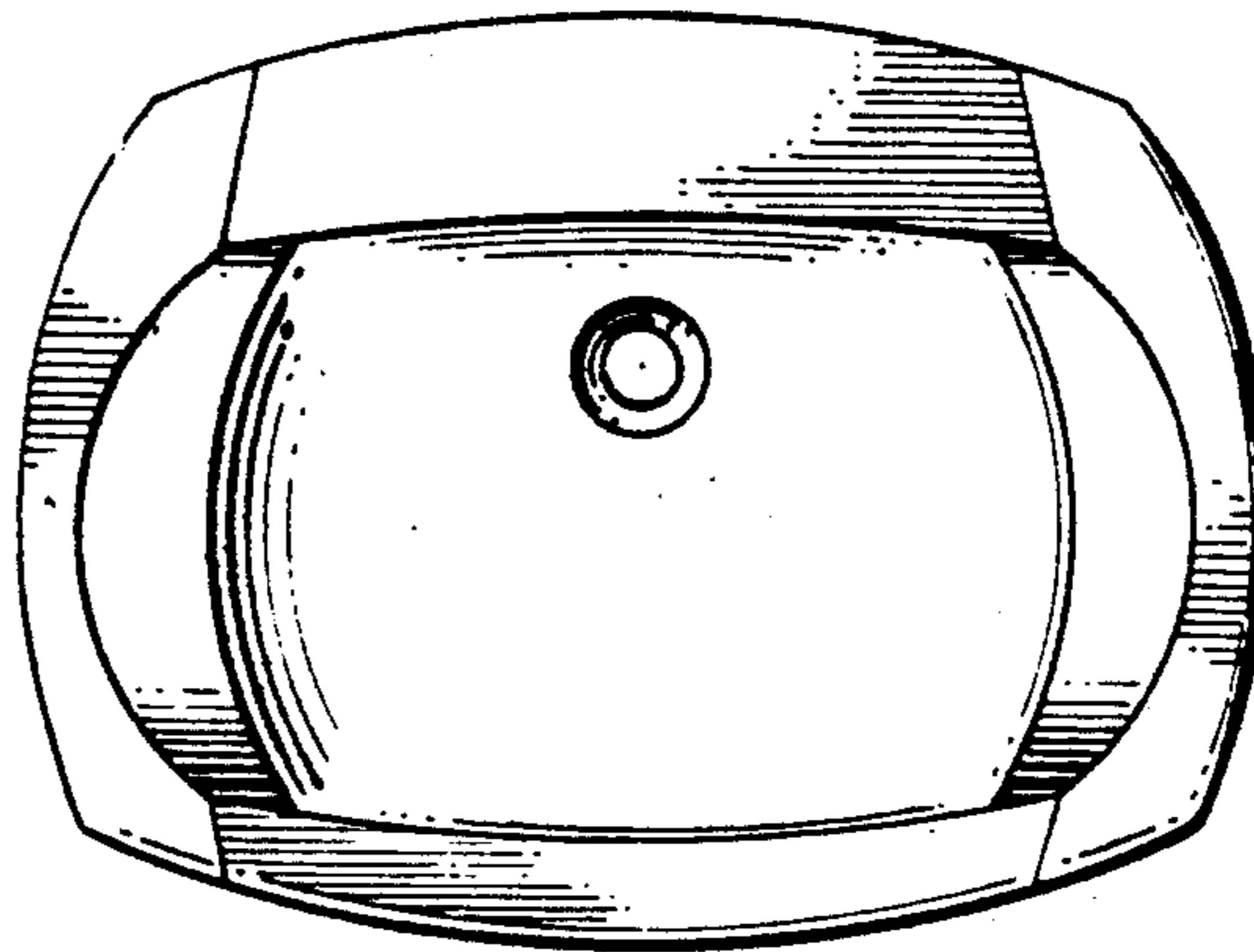
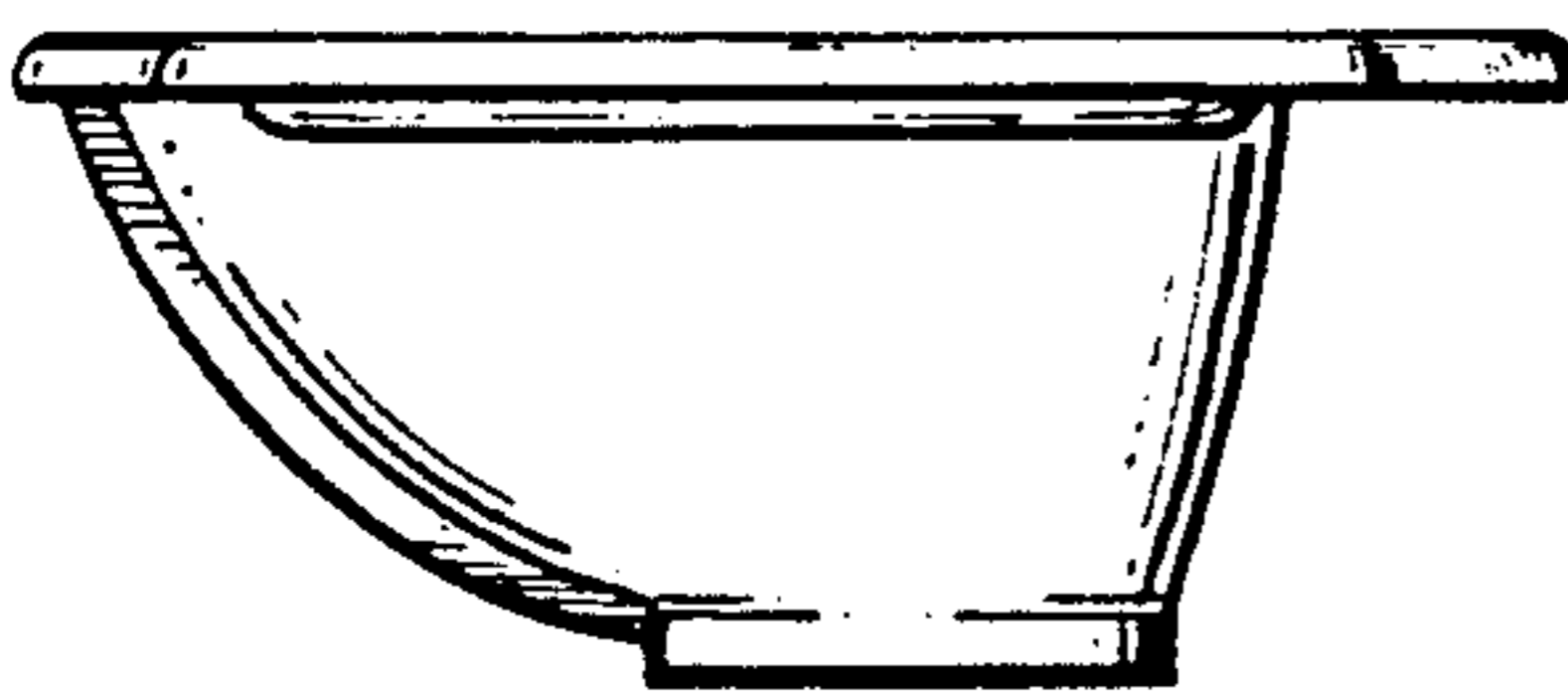
FIG. 2 is a top plan view thereof;

FIG. 3 is a front elevational view thereof;

FIG. 4 is a rear elevational view thereof;

FIG. 5 is a bottom plan view thereof; and

FIG. 6 is a cross sectional view taken on line VI—VI of FIG. 3.



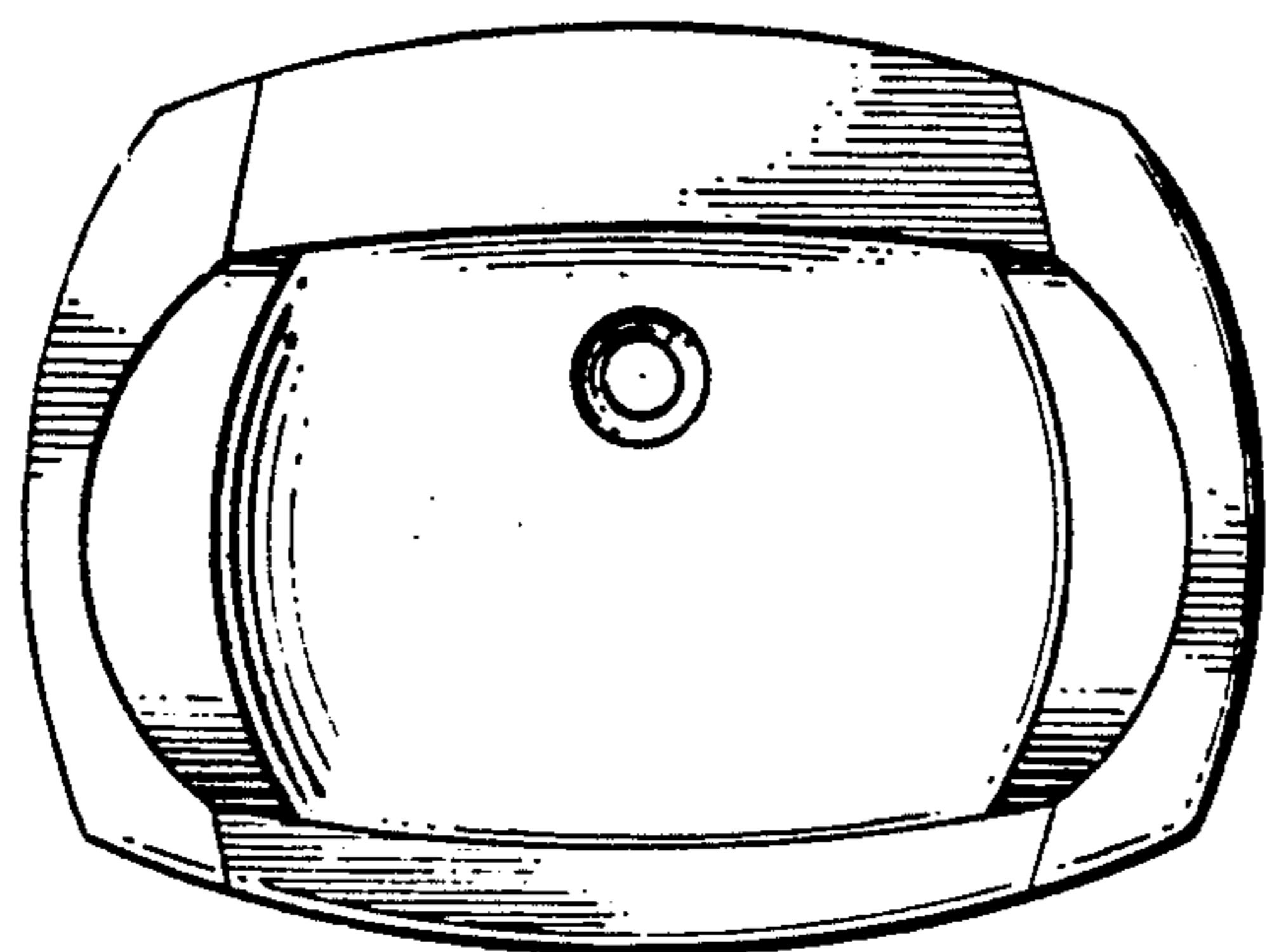


FIG. 2

FIG. 1

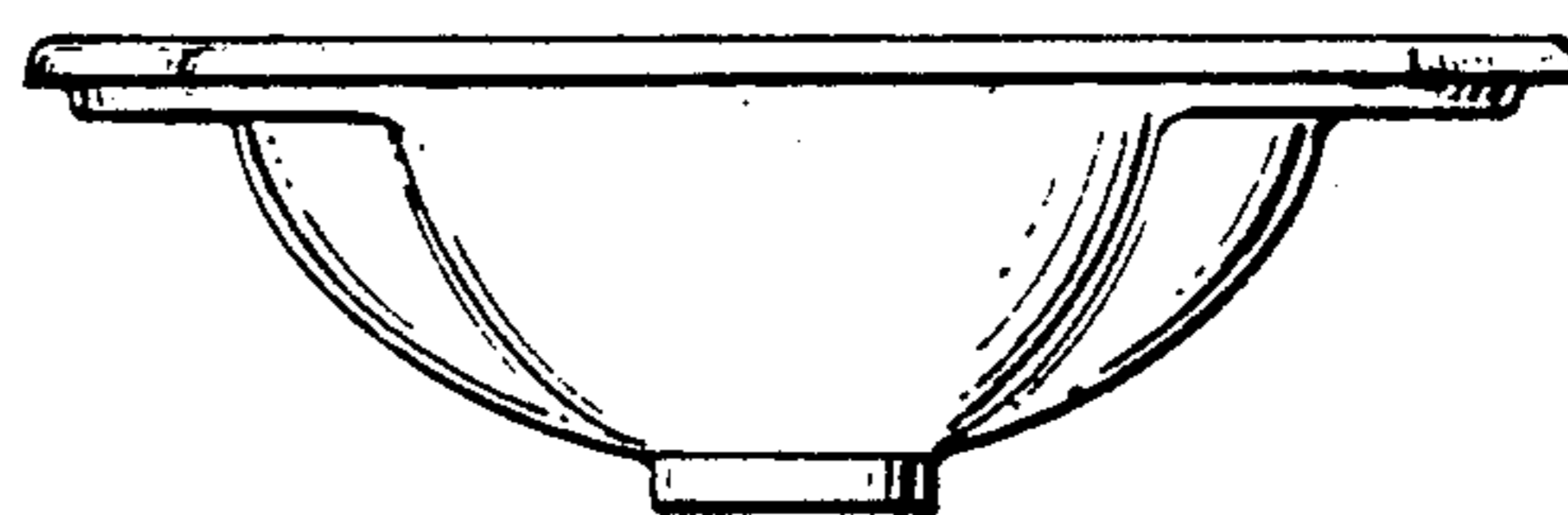
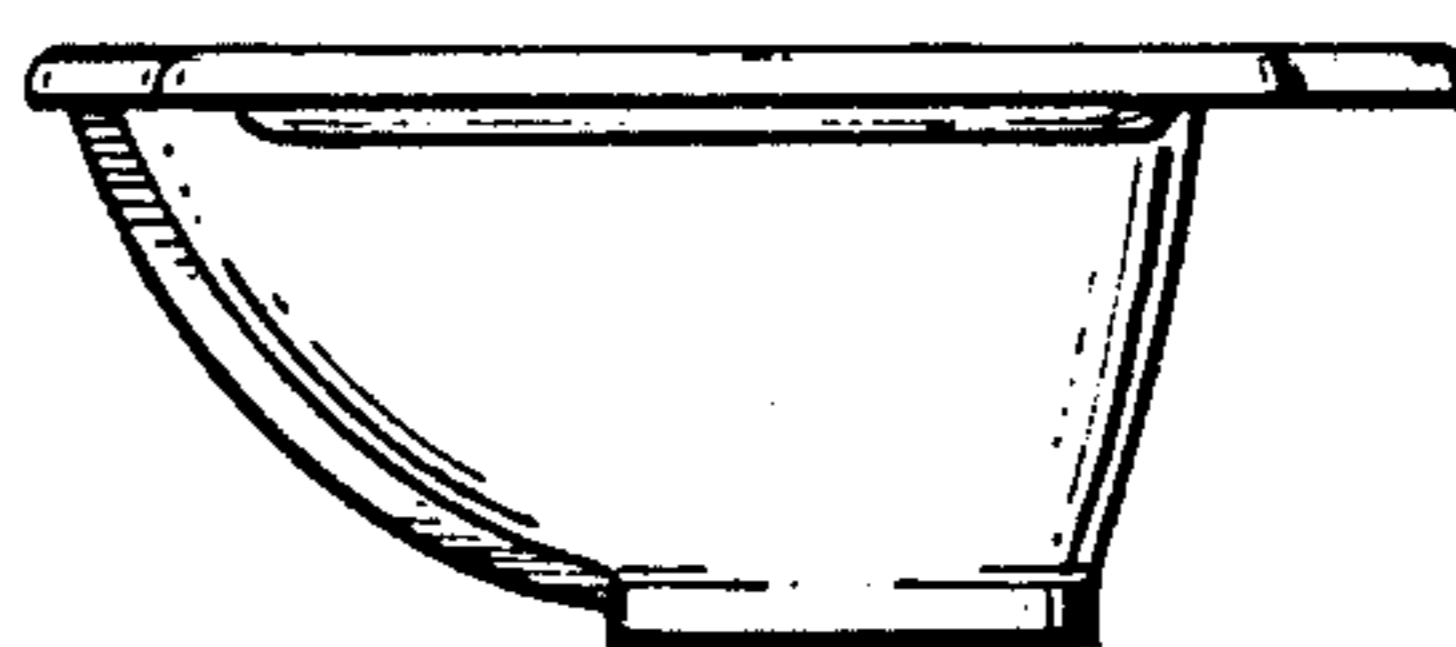


FIG. 4

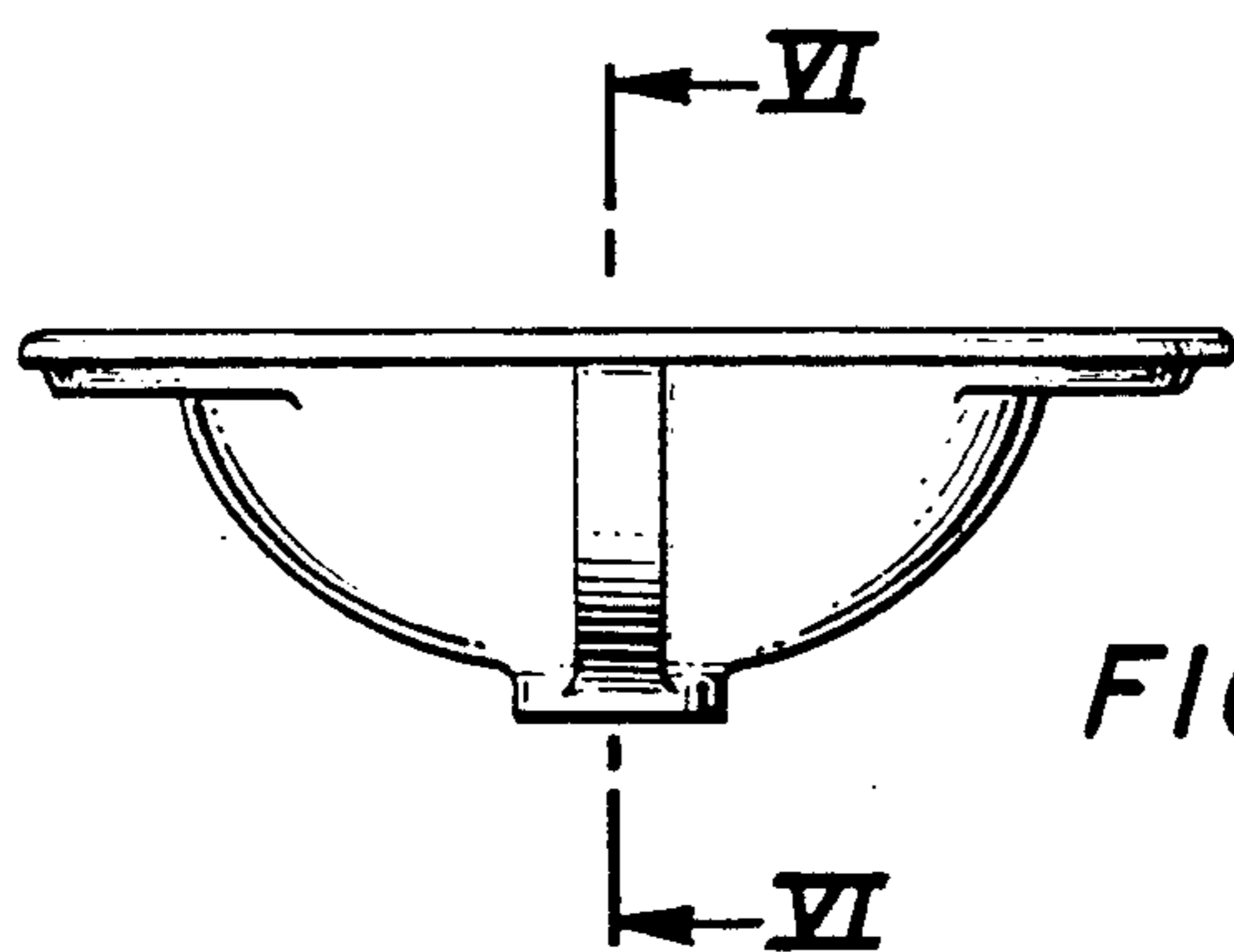


FIG. 3

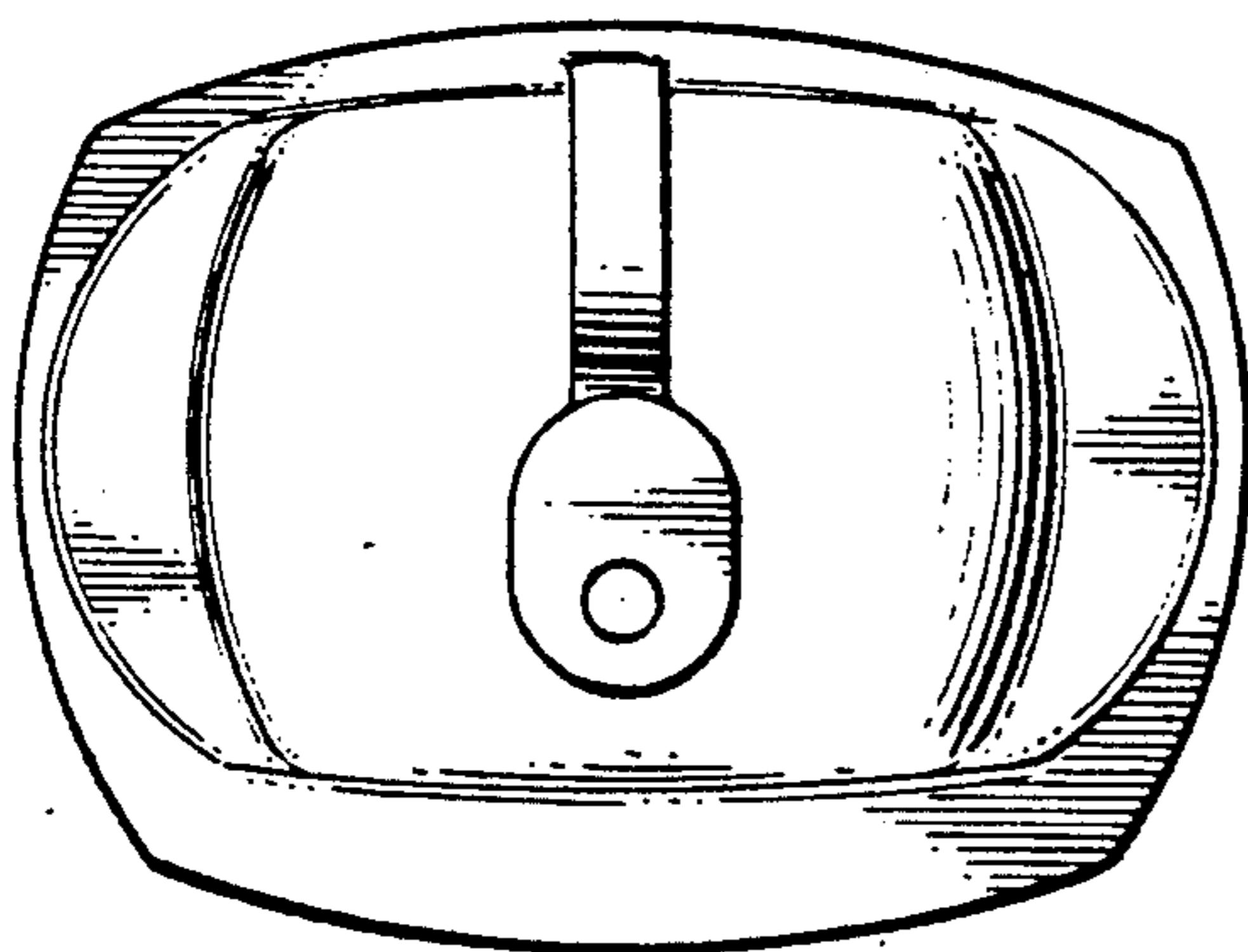


FIG. 5

FIG. 6

