

# United States Patent [19]

Göcke et al.

[11] Patent Number: **Des. 319,870**

[45] Date of Patent: **\*\* Sep. 10, 1991**

[54] SINK

[75] Inventors: **Klaus W. Göcke, Detmold; Manfred Mück, Kürnbach, both of Fed. Rep. of Germany**

[73] Assignee: **Blanco GmbH & Co. KG, Oberderdingen, Fed. Rep. of Germany**

[\*\*] Term: **14 Years**

[21] Appl. No.: **290,893**

[22] Filed: **Dec. 28, 1988**

[30] Foreign Application Priority Data

Jun. 28, 1988 [DE] Fed. Rep. of Germany ..... 10 AR 88/88

[52] U.S. Cl. .... **D23/287; D23/290**

[58] Field of Search ..... **D23/284-294, D23/308; 4/553, 619, 627-656; 134/115; 312/228**

[56] References Cited

## U.S. PATENT DOCUMENTS

D. 293,813 1/1988 Fischer et al. .... D23/271

D. 293,814 1/1988 Mück et al. .... D23/287

D. 296,003 5/1988 Garza ..... D23/290

D. 297,162 8/1988 Mück et al. .... D23/290

D. 297,163 8/1988 Blanc et al. .... D23/290

D. 298,163 10/1988 Downs ..... D23/287

4,689,840 9/1987 Mück et al. .... 4/629

4,847,927 7/1989 Blanc ..... 4/629

## OTHER PUBLICATIONS

Sweet's catalog, 1975, p. 15.16/EL,p.2.

Sweet's catalog, 1986, p. 15.7/EL p.2.

*Primary Examiner*—James R. Largen

*Attorney, Agent, or Firm*—Spencer & Frank

[57] CLAIM

The ornamental design for a sink, as shown and described.

## DESCRIPTION

FIG. 1 is a top plan view of a sink showing our new design;

FIG. 2 is a front elevational view thereof;

FIG. 3 is a left side elevational view thereof; and

FIG. 4 is a perspective view taken from the top, front and right side thereof.

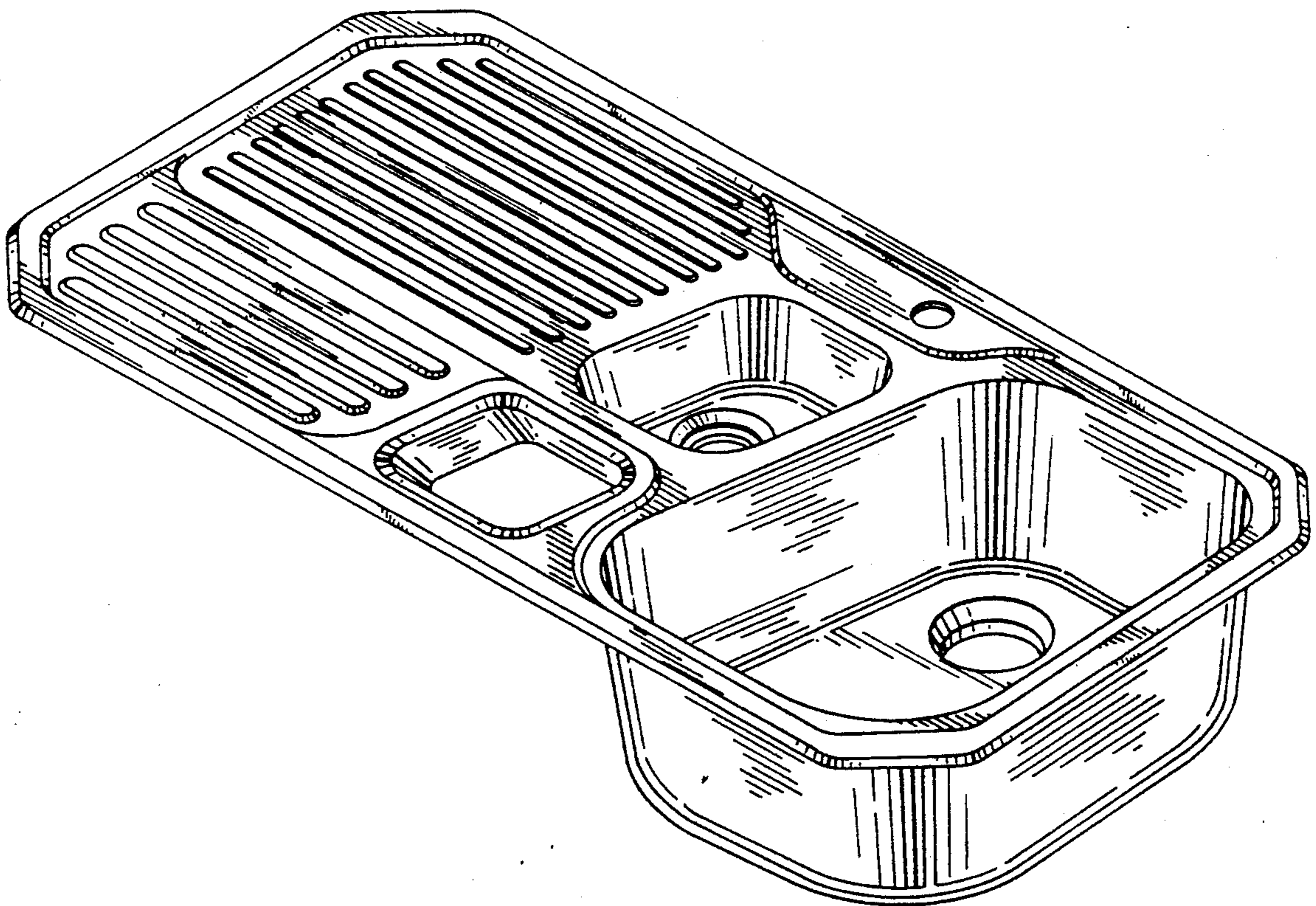
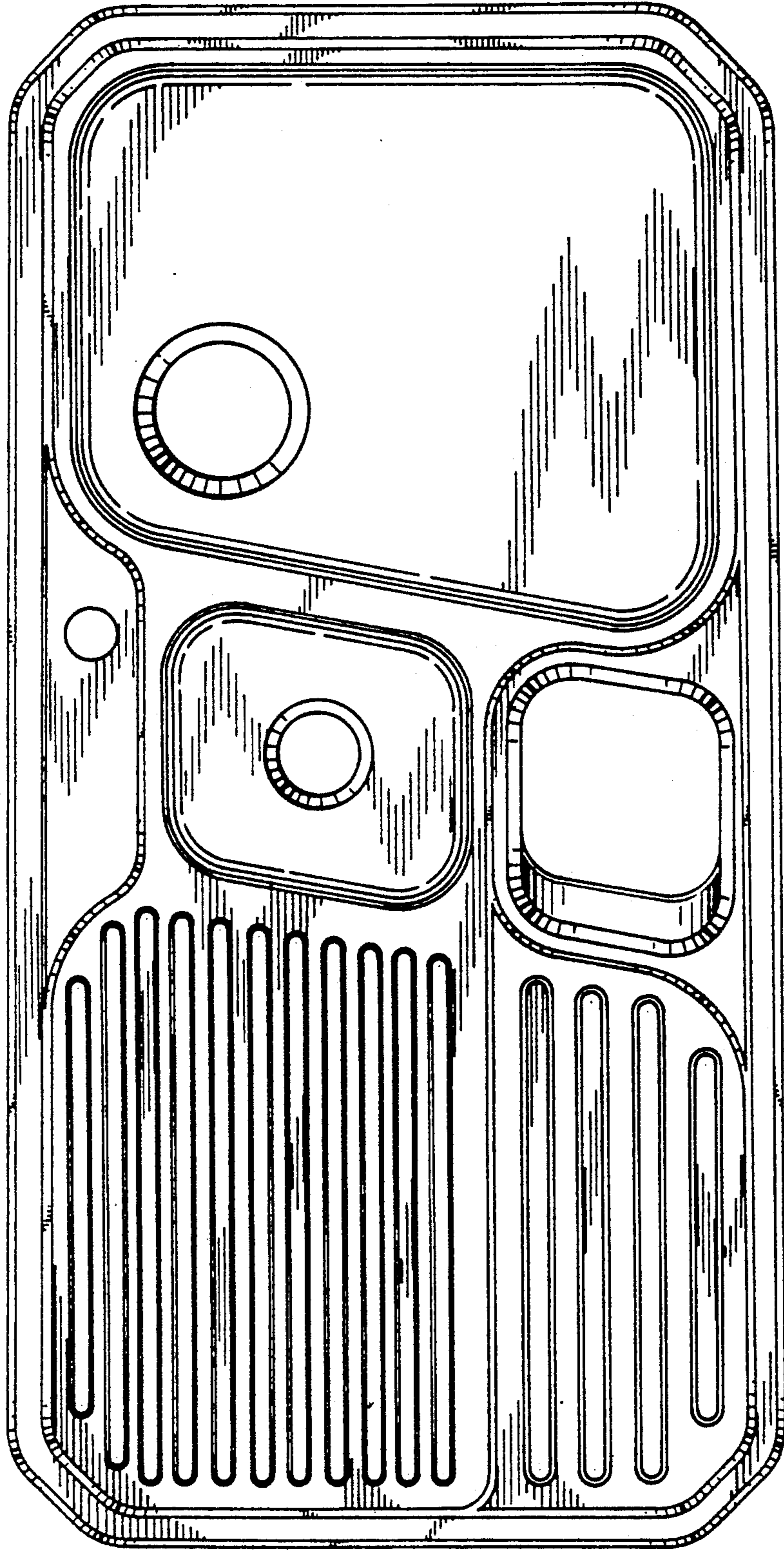
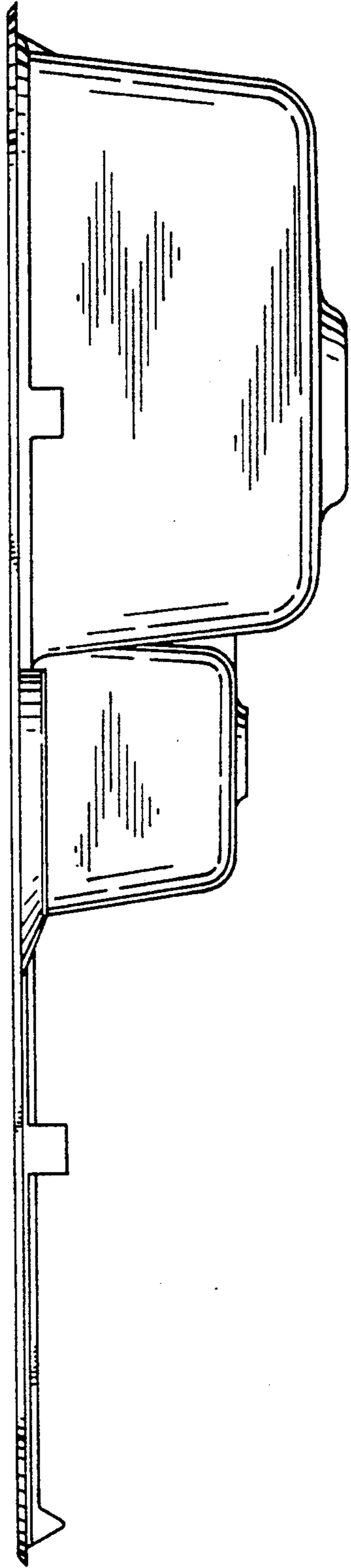


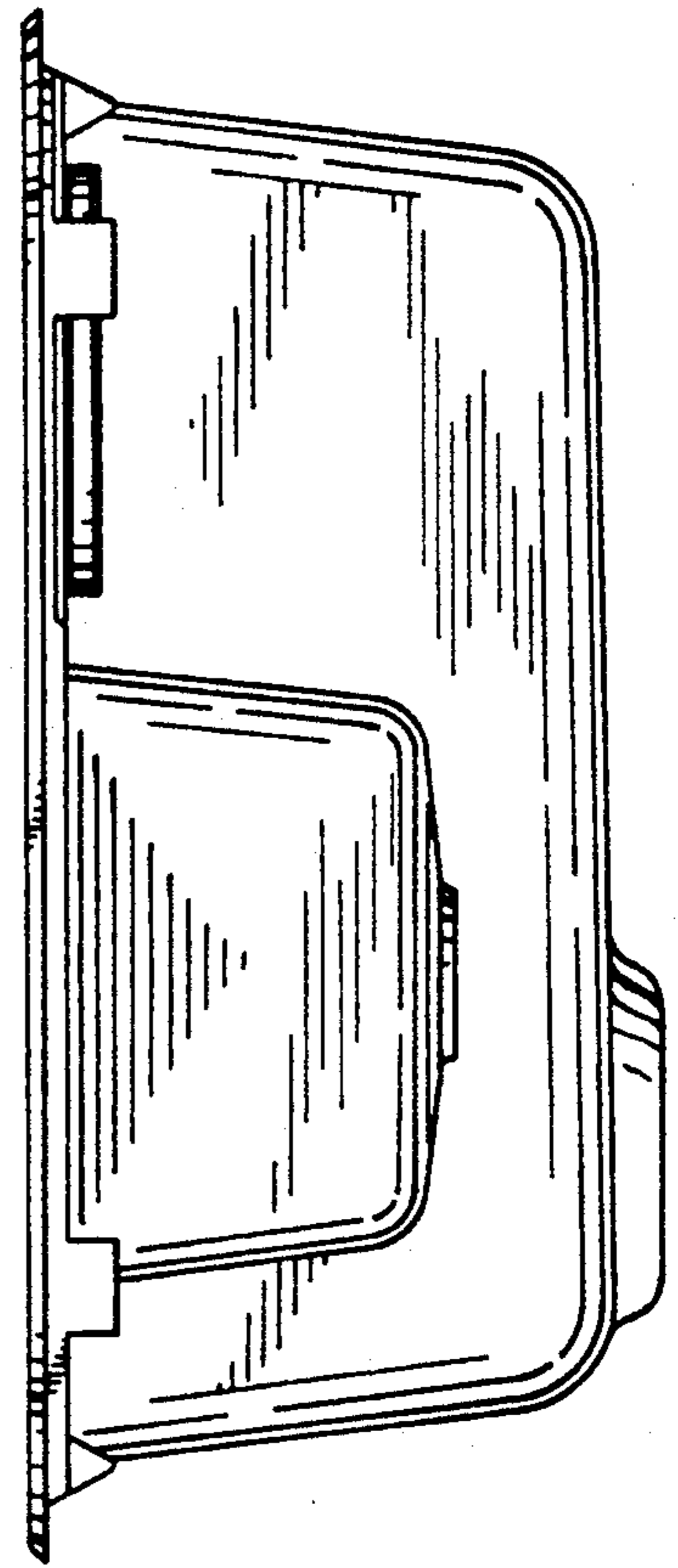
FIG. 1



**FIG. 2**



**FIG. 3**



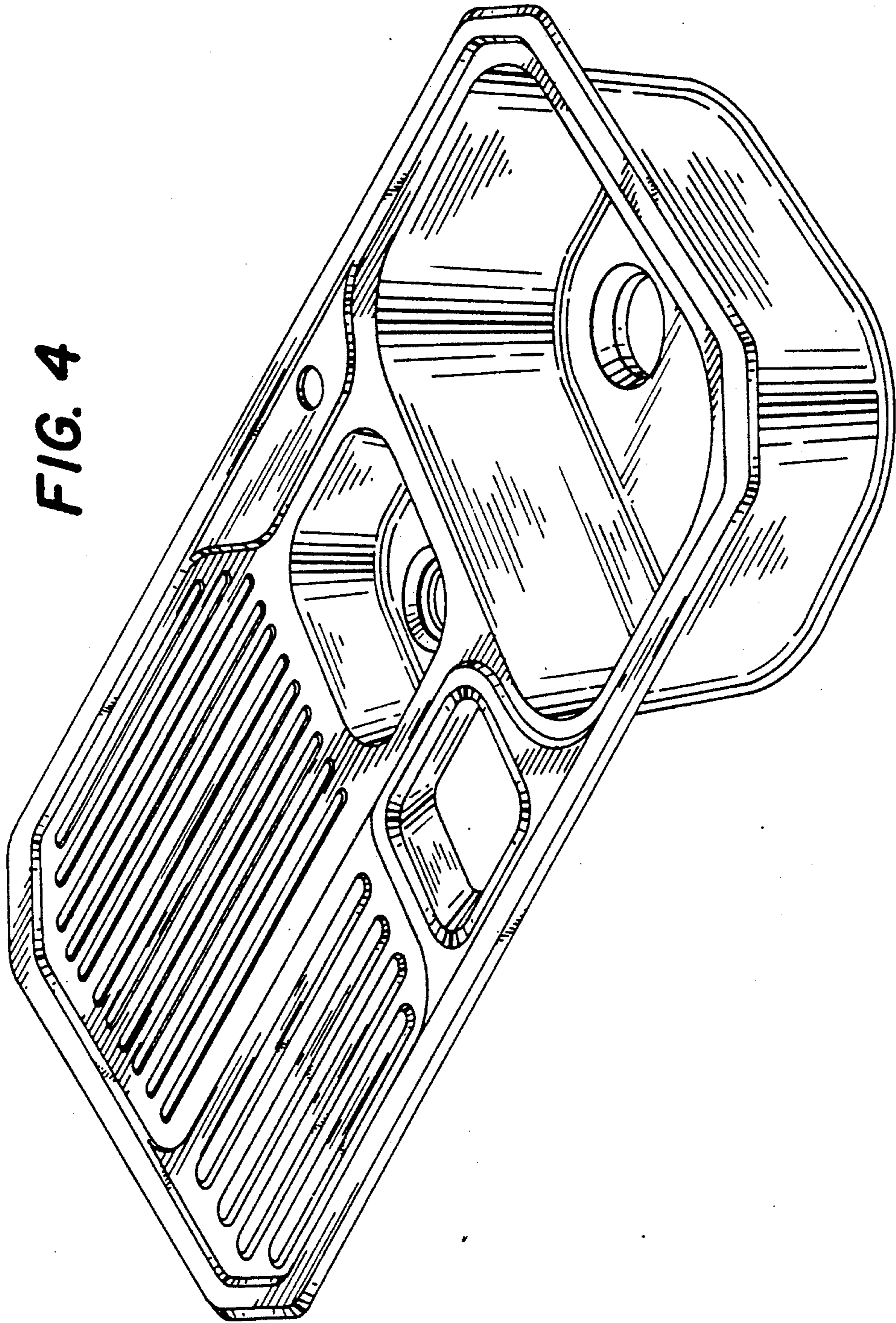


FIG. 4