

[54] MULTI-OUTLET SEQUENCER VALVE

[75] Inventor: Paul Robinson, Woodville, Australia

[73] Assignee: Sabco Limited, Australia

[**] Term: 14 Years

[21] Appl. No.: 282,287

[22] Filed: Dec. 9, 1988

[30] Foreign Application Priority Data

Jul. 27, 1988 [AU] Australia 2485

[52] U.S. Cl. D23/246

[58] Field of Search 137/561, 884, 555, 624.11, 137/624.78, 624.28, 625.11; D23/259-263, 233-237, 244-249

[56] References Cited

U.S. PATENT DOCUMENTS

- D. 103,582 3/1937 Murphy D23/235
- D. 154,427 7/1949 Peterson D23/233
- D. 180,010 4/1957 Britton D23/263
- D. 215,935 11/1969 Gens D23/245
- D. 234,979 4/1975 Miller D23/263

- D. 238,274 12/1975 Slagel D23/247
- D. 240,227 6/1976 Flynn D23/247
- D. 283,154 3/1986 McKinnon D23/259
- D. 305,147 12/1989 Samford D23/263
- 2,312,601 3/1973 Stillwagon, Jr. 137/625.11
- 2,991,803 7/1961 Michie 137/625.11
- 4,109,670 8/1978 Slagel 137/625.11 X
- 4,326,671 4/1982 Goquen 137/625.11 X
- 4,557,874 12/1985 Neumann et al. 137/561

Primary Examiner—James R. Largen
Attorney, Agent, or Firm—Oldham & Oldham Co.

[57] CLAIM

The ornamental design for a multi-outlet sequencer valve, as shown and described.

DESCRIPTION

FIG. 1 is a perspective view taken from the top and side multi-outlet sequencer valve, showing my new design; FIG. 2 is a perspective view taken from the side and bottom thereof; FIG. 3 is a top plan view thereof; and FIG. 4 is a side elevational view thereof, the opposite side being a mirror image of the side shown.

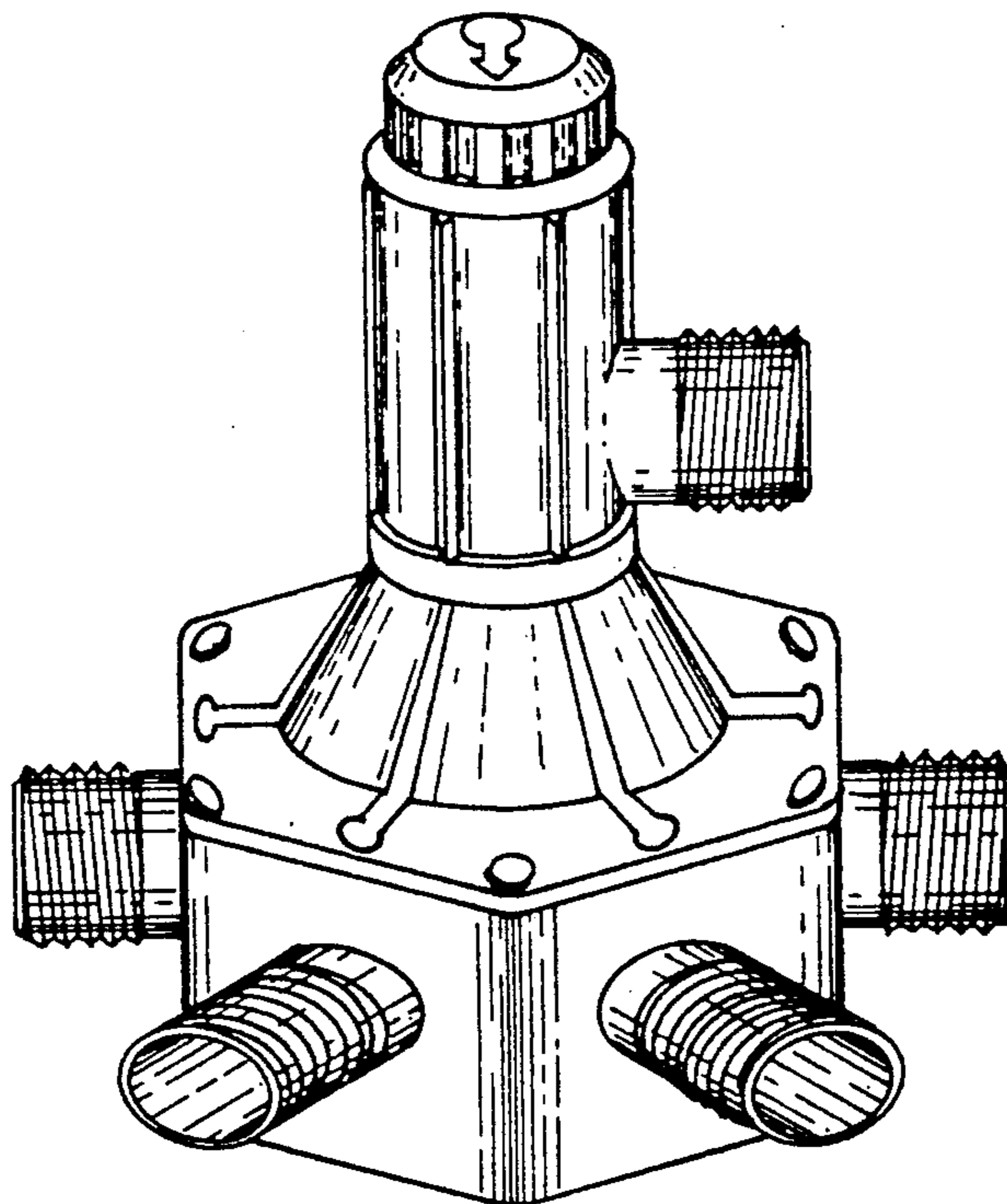


FIG.-1

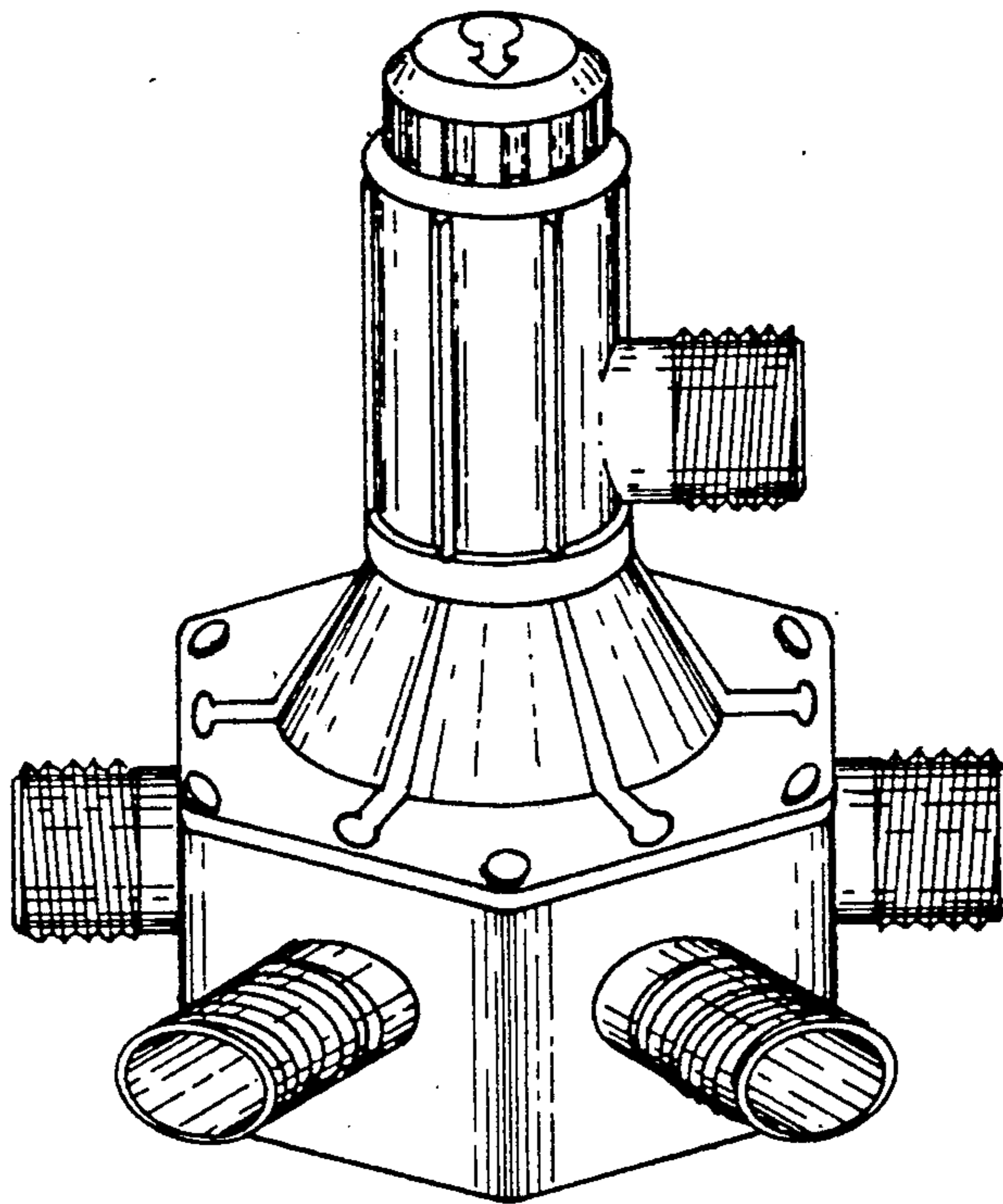
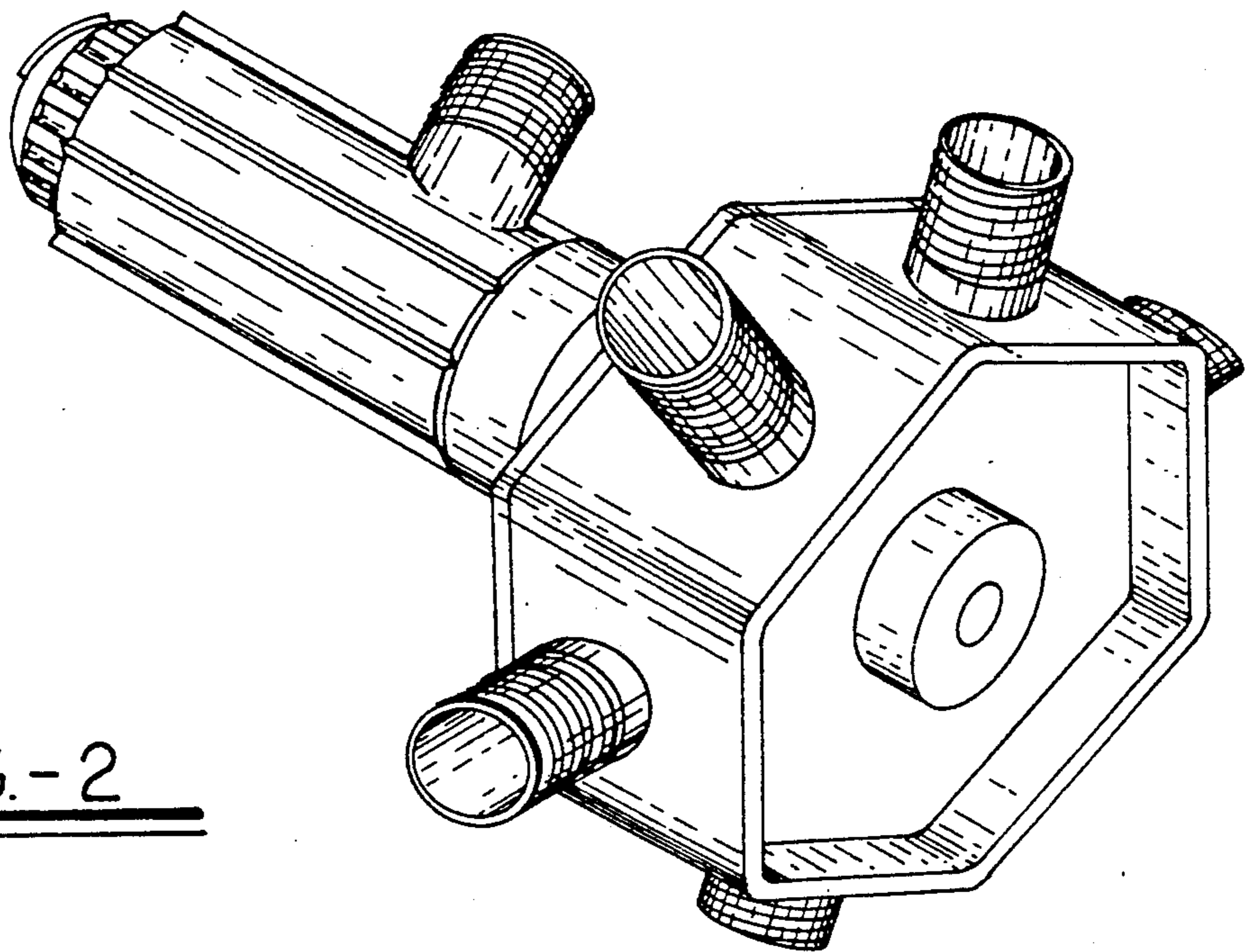


FIG.-2



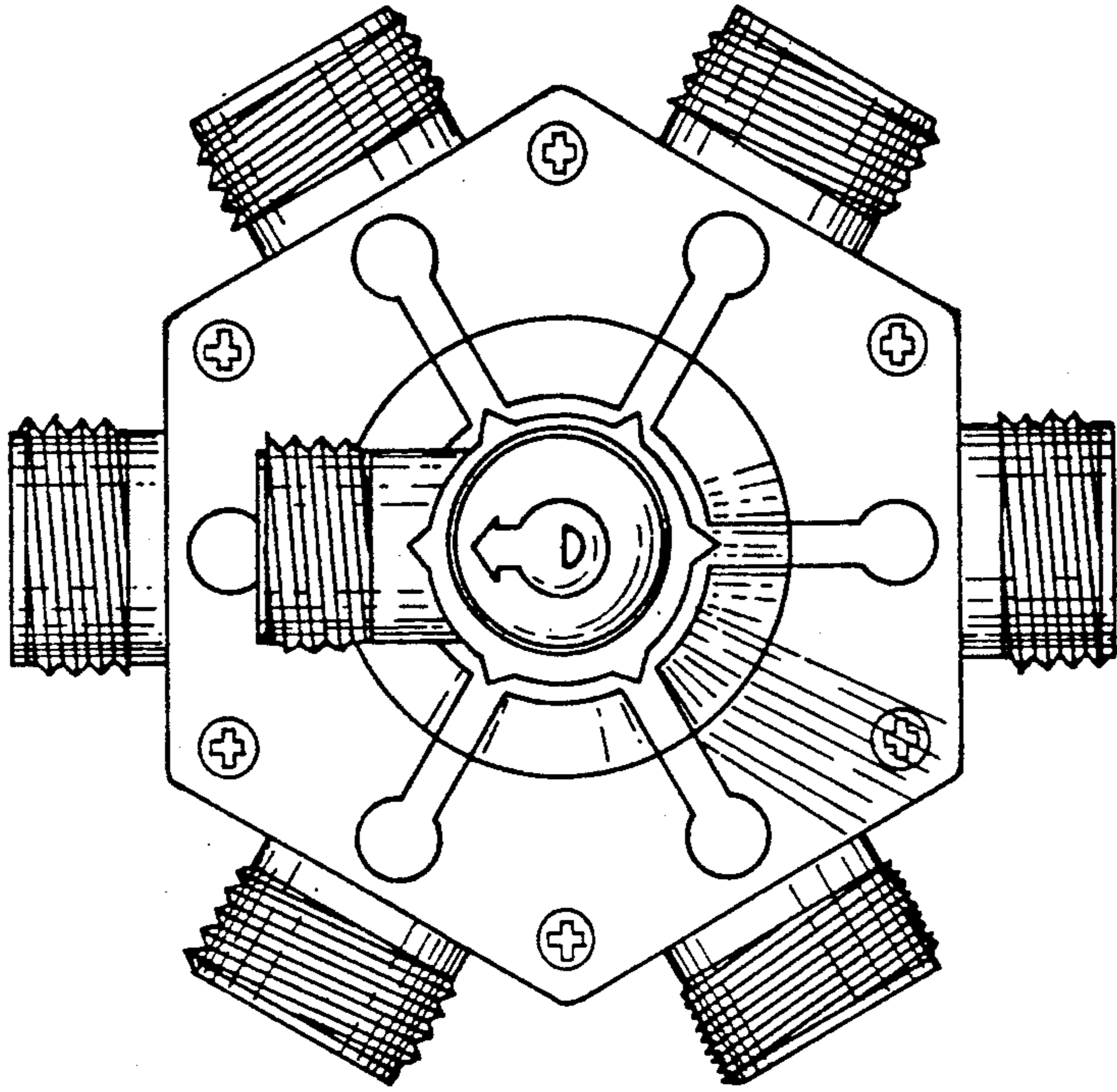


FIG-3

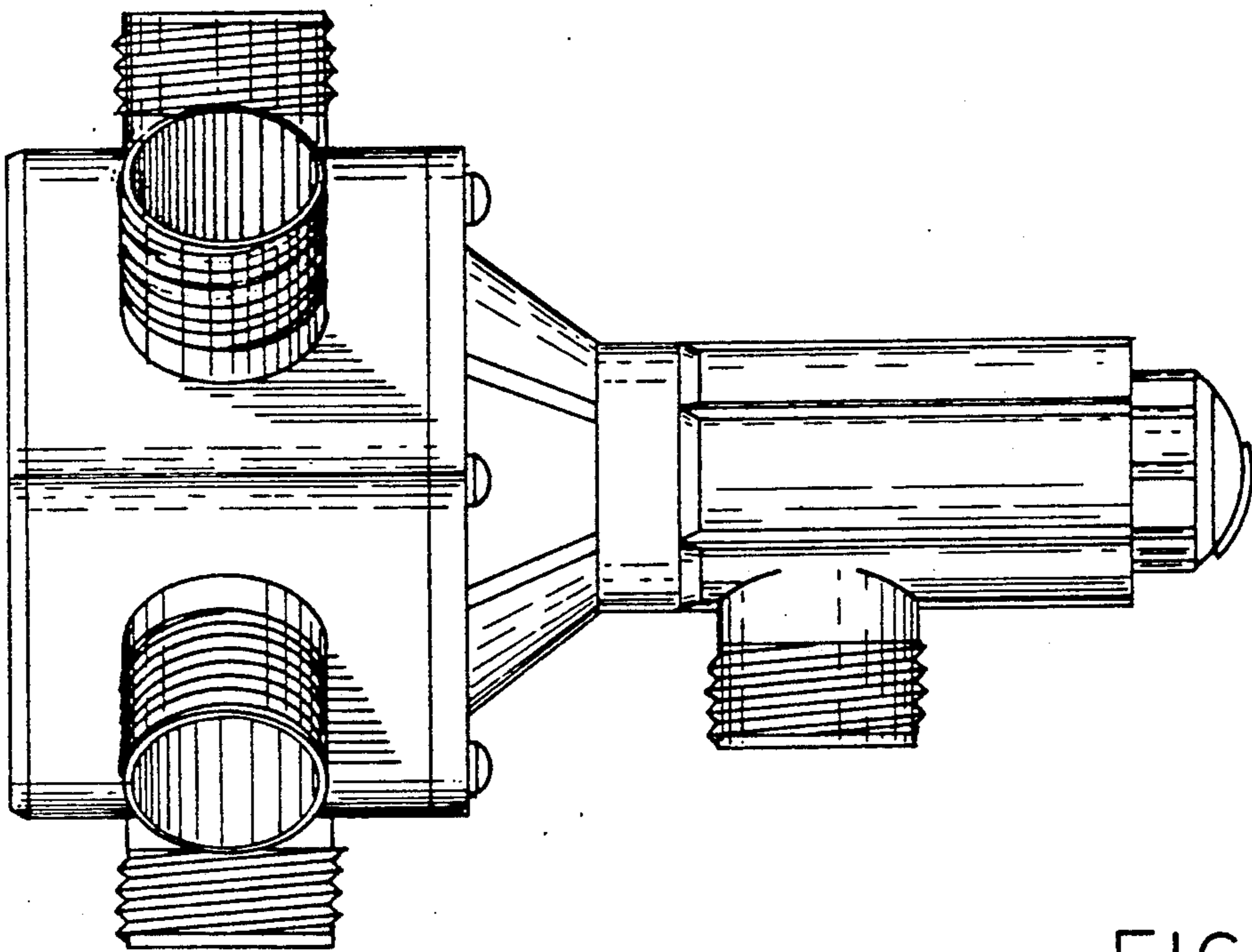


FIG-4