

[54] **ORNAMENTS FOR FLUSH HANDLES**

[76] **Inventor: Ronald P. Hardman, 1046 W. Tropicana Ct., Ontario, Calif. 91762**

[\*\*] **Term: 14 Years**

[21] **Appl. No.: 315,772**

[22] **Filed: Feb. 27, 1989**

[52] **U.S. Cl. .... D23/251; D8/305**

[58] **Field of Search ..... D23/250, 251, 252-254, D23/238-243, 301; 4/324, 325, 342, 394, 393; D11/44, 47, 79, 81, 99; D21/212; D8/305; 16/110 R, 115, 121**

[56] **References Cited**

**U.S. PATENT DOCUMENTS**

D. 263,990 4/1982 Fleischmann et al. .... D23/252  
D. 284,500 7/1986 Bolgert et al. .... D23/252  
2,636,184 4/1953 Skutt et al. .... 4/324

**OTHER PUBLICATIONS**

Danecraft Publication, @ 1963-1964, Sterling Silver Charms, item #C515; Tennis racket and Ball, p. 24.

*Primary Examiner*—Stella Reid  
*Attorney, Agent, or Firm*—Edgar W. Averill, Jr.

[57] **CLAIM**

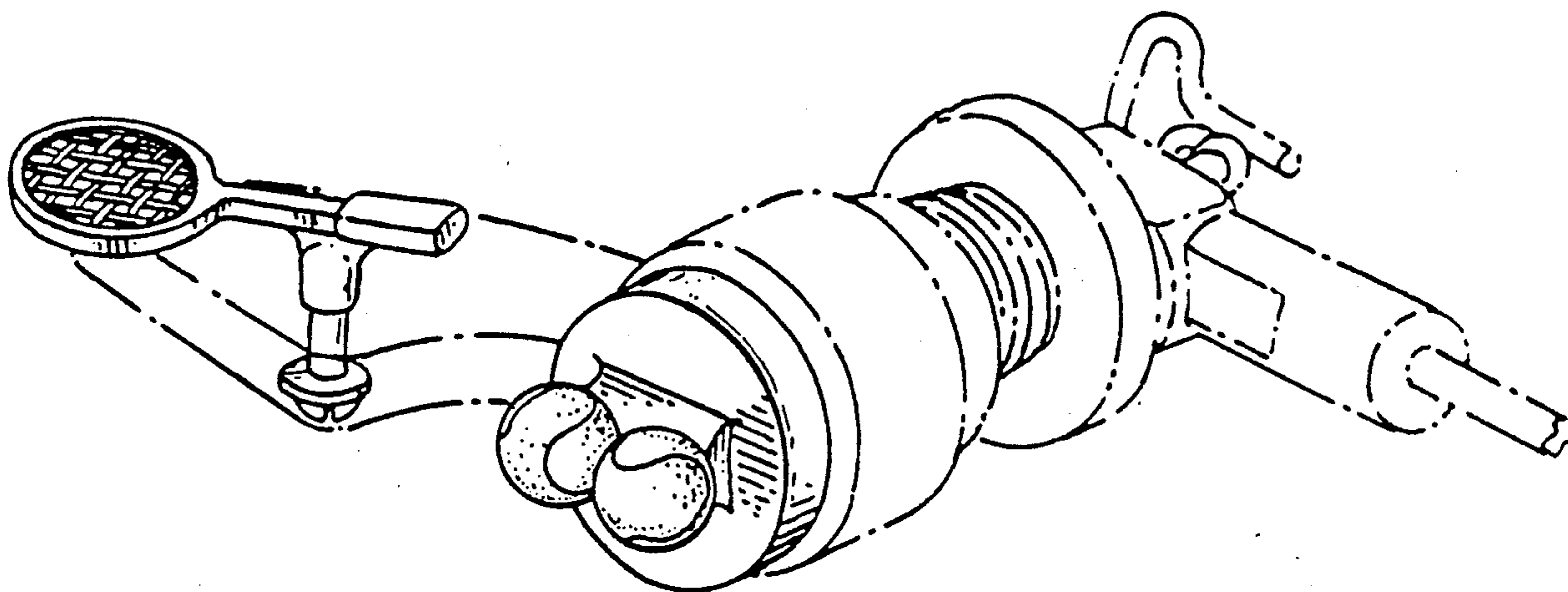
The ornamental design for ornaments for flush handles, as shown and described.

**DESCRIPTION**

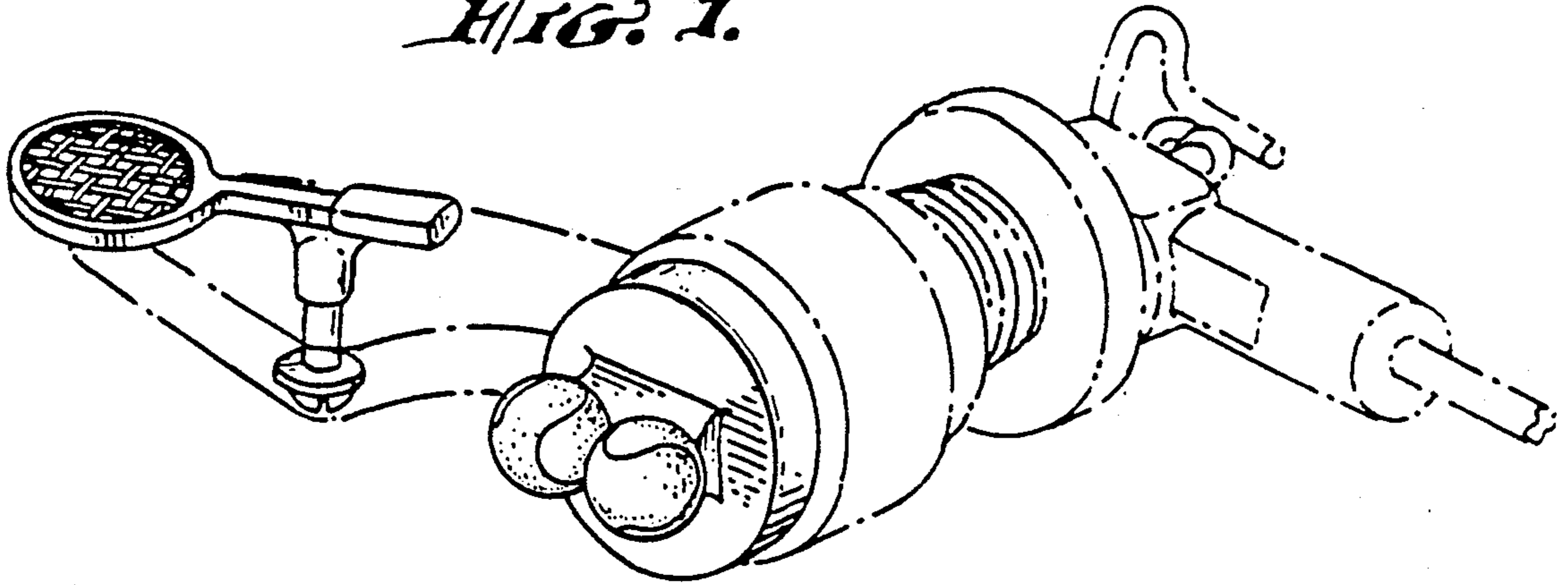
FIG. 1 is a top, right side perspective view of ornaments for toilet flush handles, showing my new design, the broken line showing is for illustrative purposes only and forms no part of the claimed design;

FIG. 2 is a rear, top, left side perspective view thereof, and

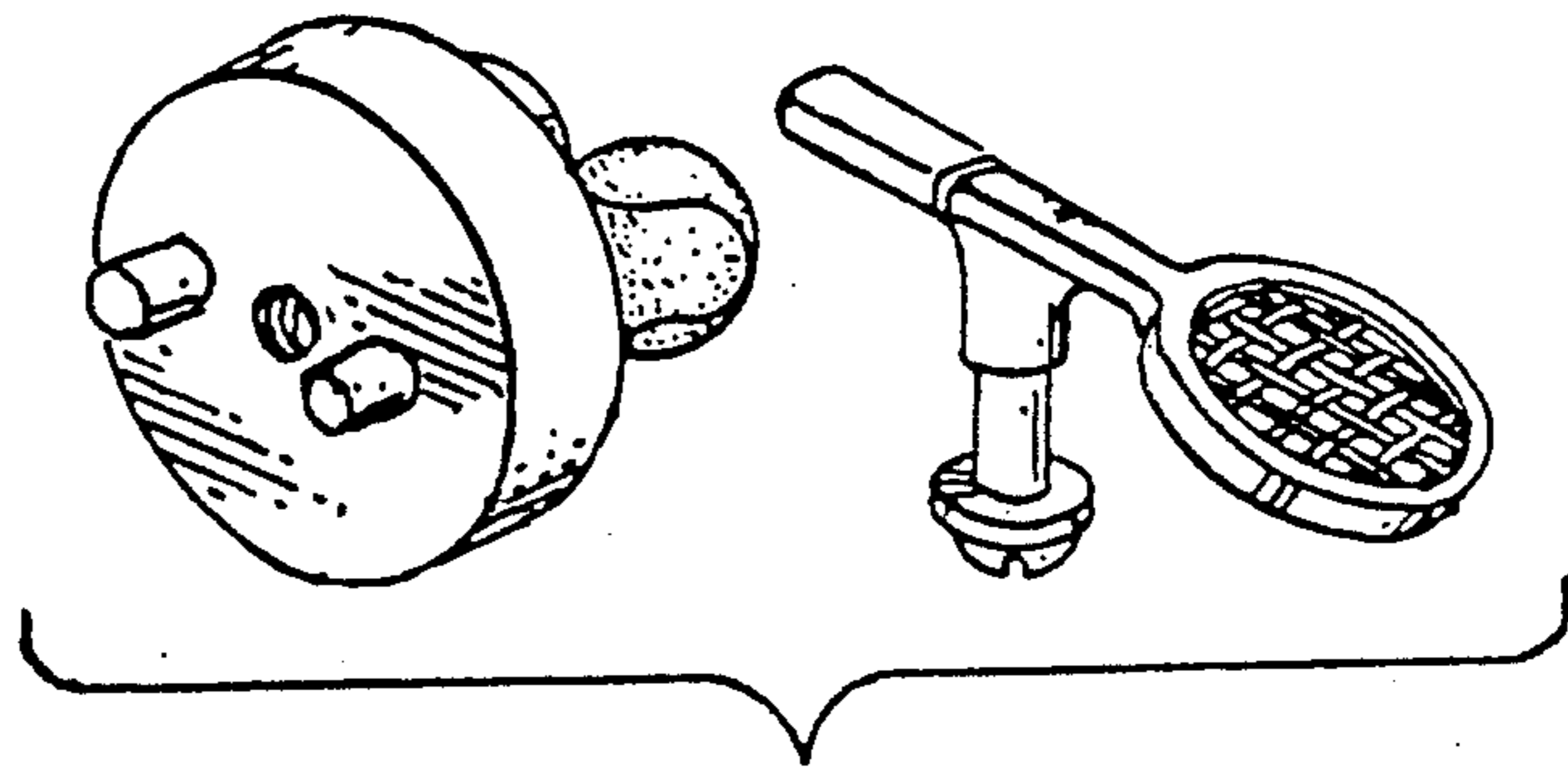
FIG. 3 is a bottom plan view thereof.



*FIG. 1.*



*FIG. 2.*



*FIG. 3.*

