

[54] BILLIARD TABLE

[76] Inventor: Horst Ascher, Steinbrecherstrasse 22, 3300 Braunschweig, Fed. Rep. of Germany

[**] Term: 14 Years

[21] Appl. No.: 237,877

[22] Filed: Aug. 29, 1988

[30] Foreign Application Priority Data

Feb. 29, 1988 [DE] Fed. Rep. of Germany 1431

[52] U.S. Cl. D21/232

[58] Field of Search D21/232; D6/486, 488, D6/495; 273/2, 3 R, 5 R

[56] References Cited

U.S. PATENT DOCUMENTS

- D. 23,221 4/1894 Bensinger D21/232
- D. 148,119 12/1947 Anderson et al. D21/232
- D. 148,120 12/1947 Anderson et al. D21/232
- D. 220,812 5/1971 Harrison D21/232

- D. 234,780 4/1975 Le Mieux D21/232
- D. 266,861 11/1982 Clarkson D21/232
- D. 279,400 6/1985 Dunn, Sr. et al. D6/486

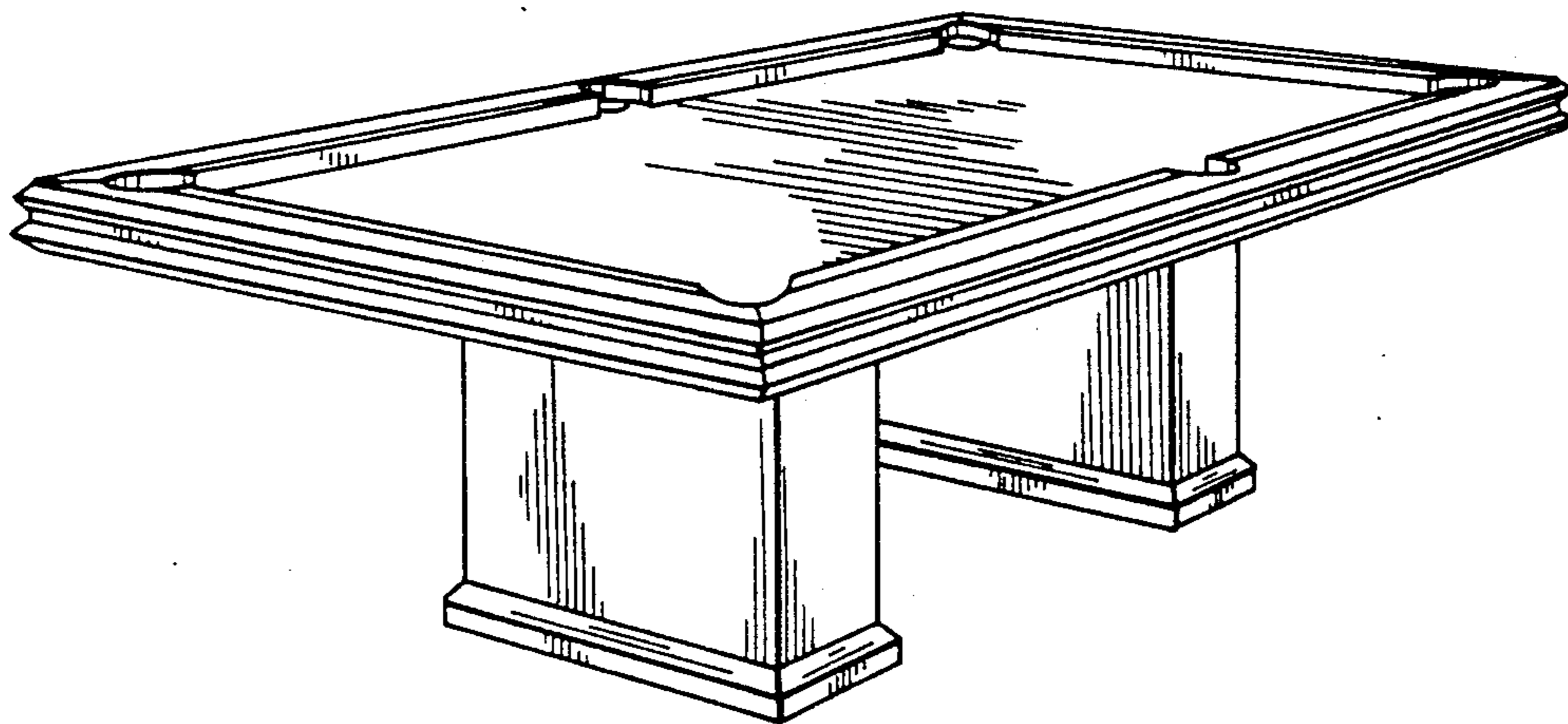
Primary Examiner—Melvin B. Feifer
Assistant Examiner—Philip Hyder
Attorney, Agent, or Firm—Foley & Lardner

[57] CLAIM

The ornamental design of a billiard table, as shown and described.

DESCRIPTION

FIG. 1 is a side elevational view of a billiard table showing my new design;
 FIG. 2 is a top plan view thereof;
 FIG. 3 is a front elevational view thereof;
 FIG. 4 is a perspective view thereof;
 FIG. 5 is a side elevational view of a second embodiment thereof;
 FIG. 6 is a top view thereof;
 FIG. 7 is a side view thereof; and
 FIG. 8 is a perspective view thereof.



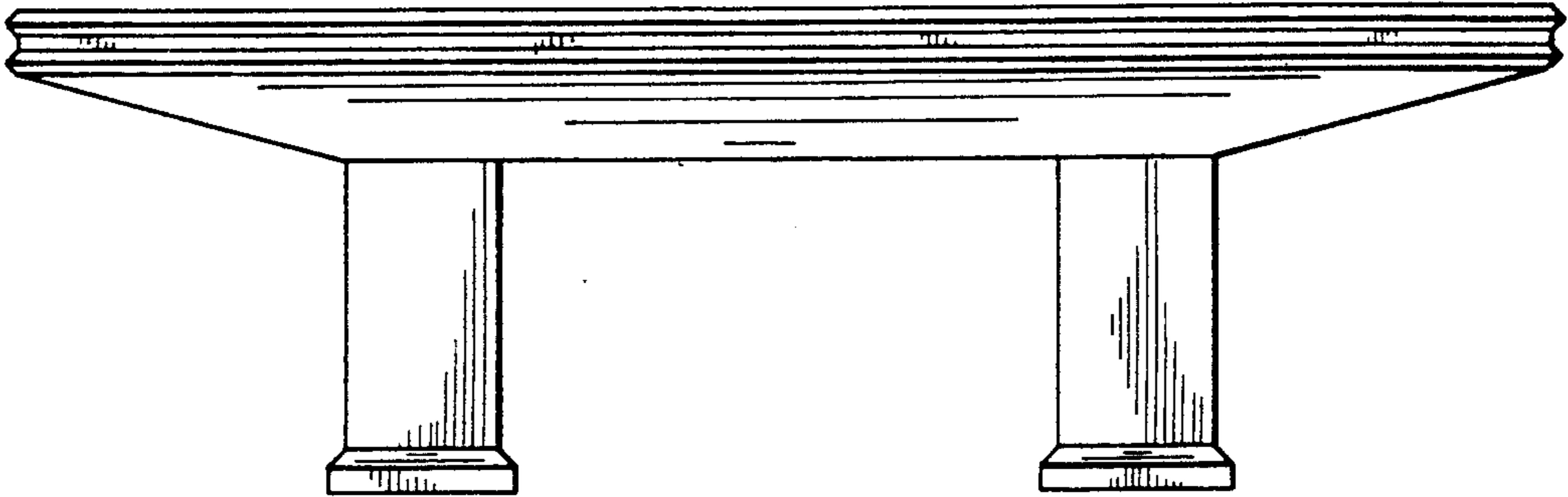


FIG. 1

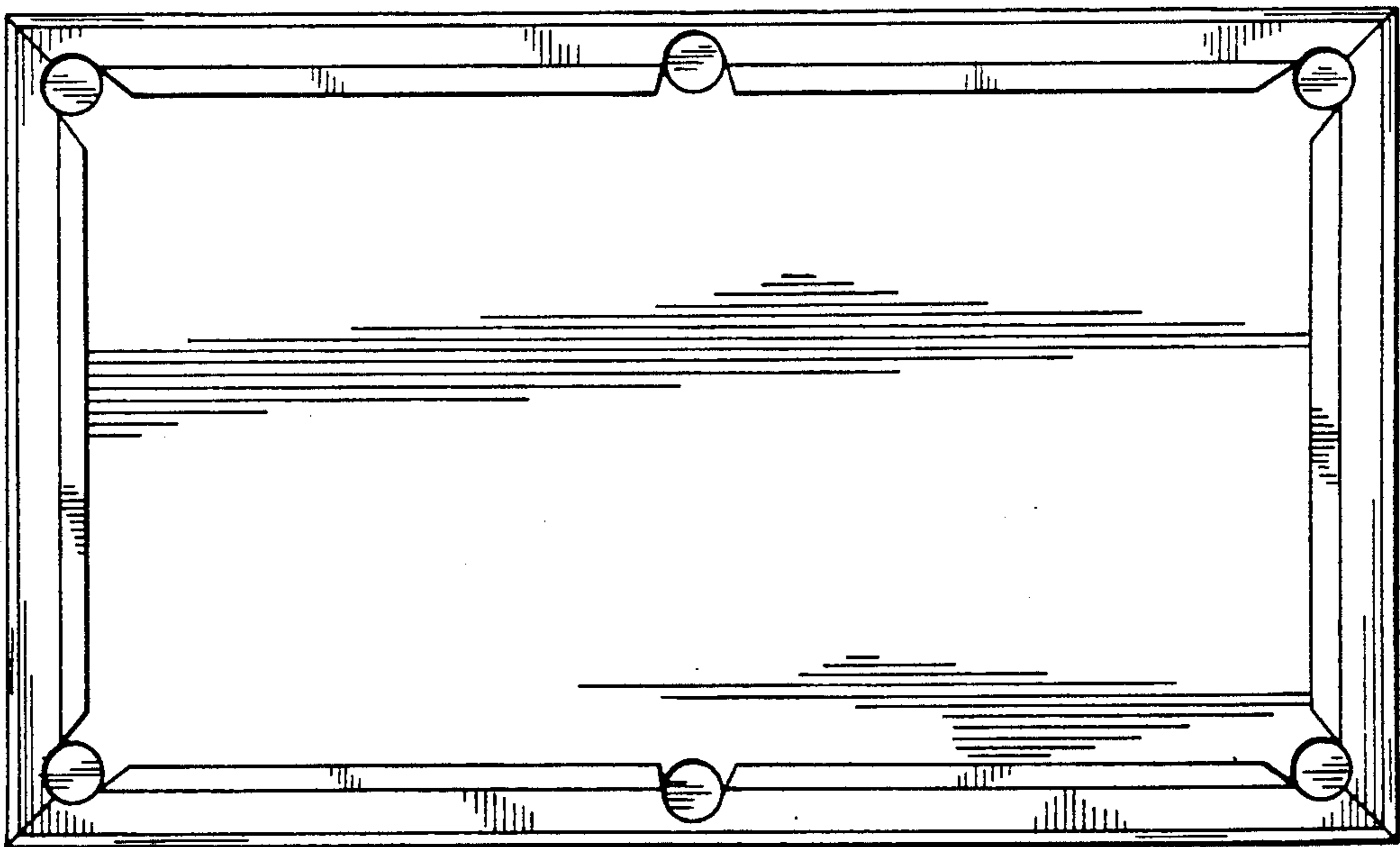


FIG. 2

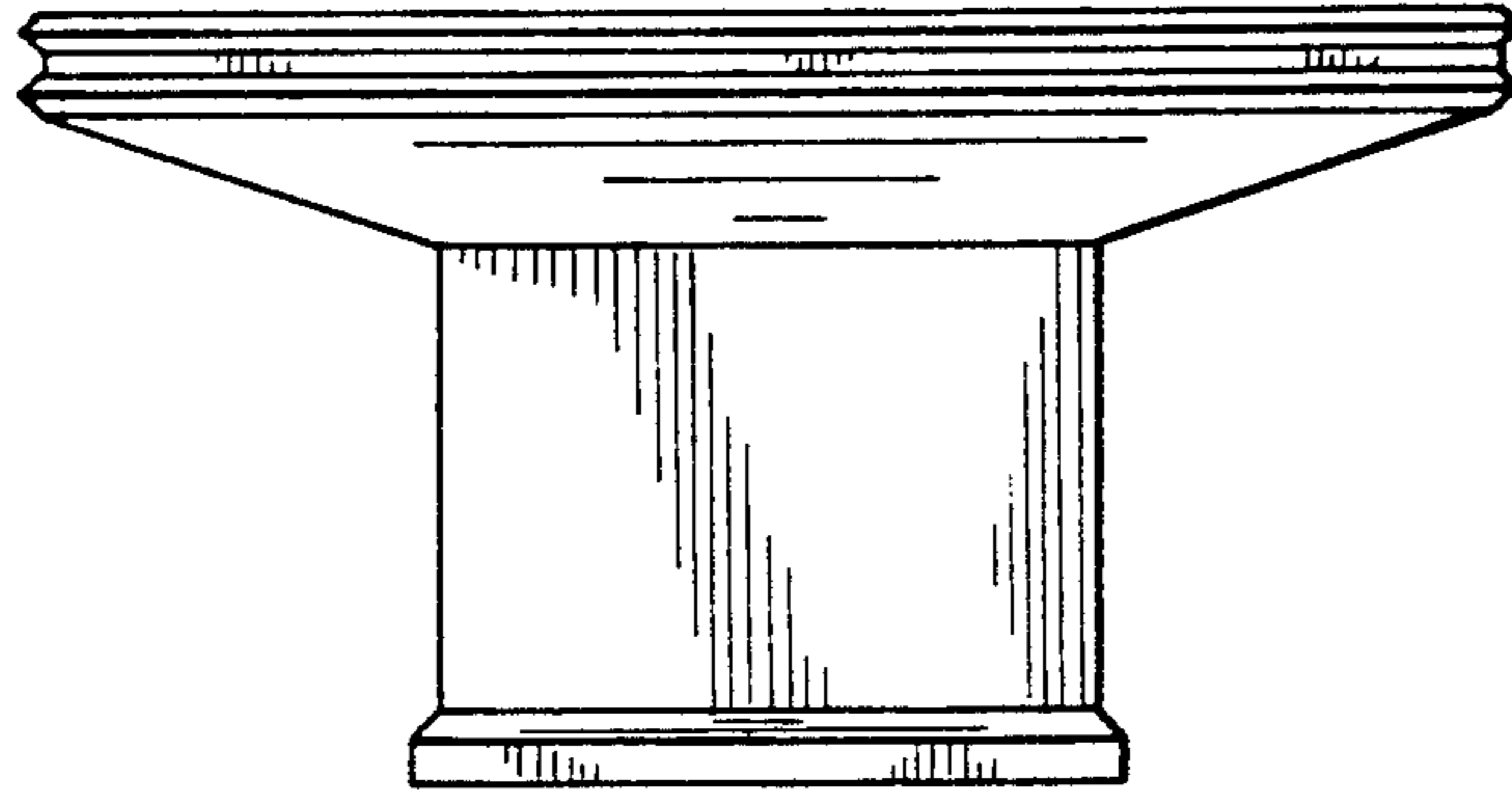


FIG. 3

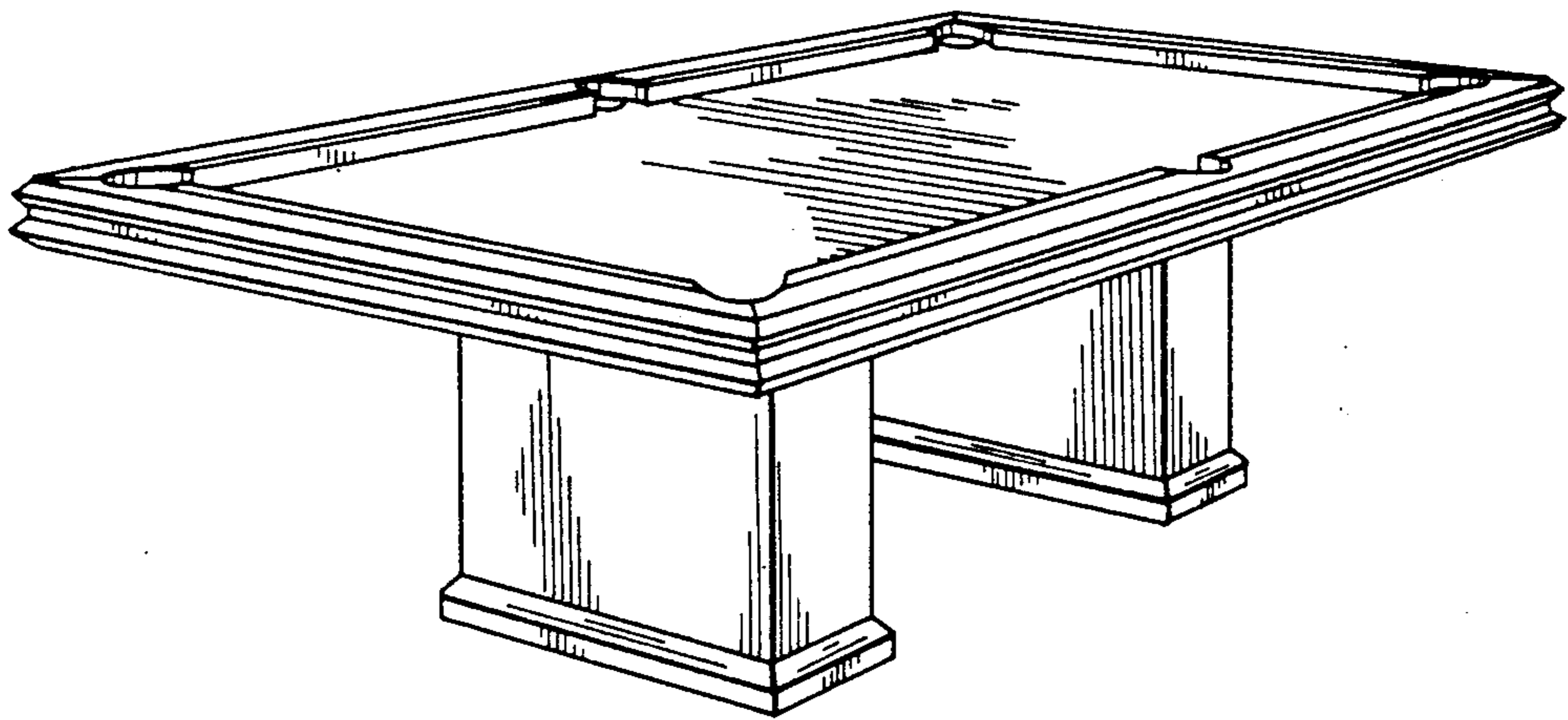


FIG. 4

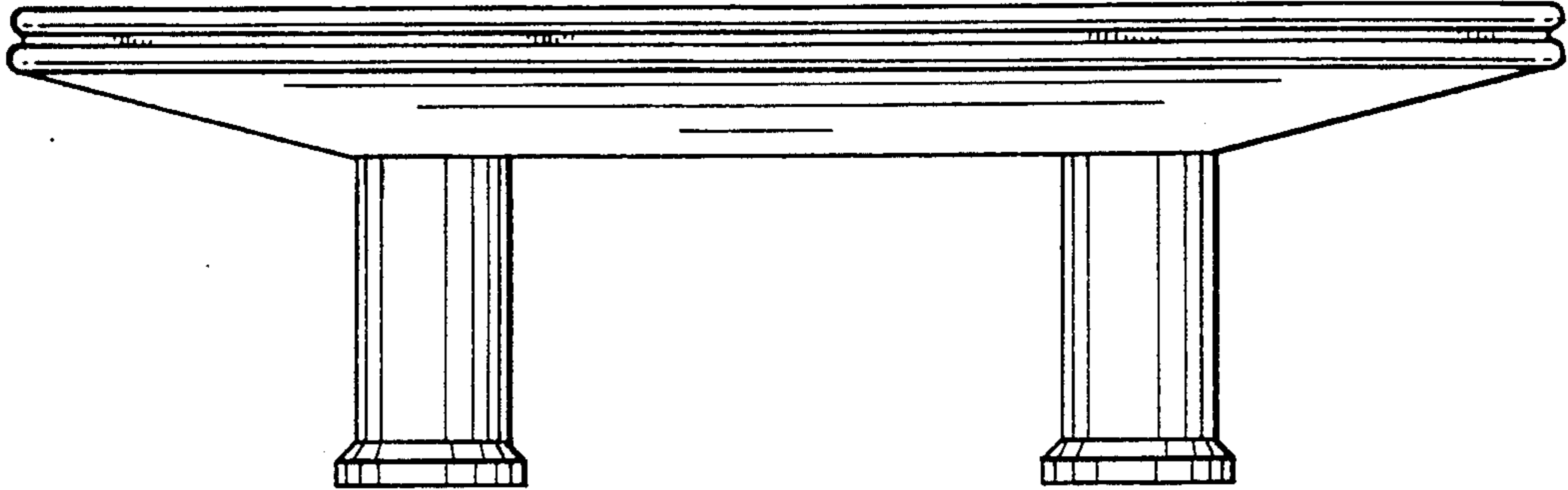


FIG. 5

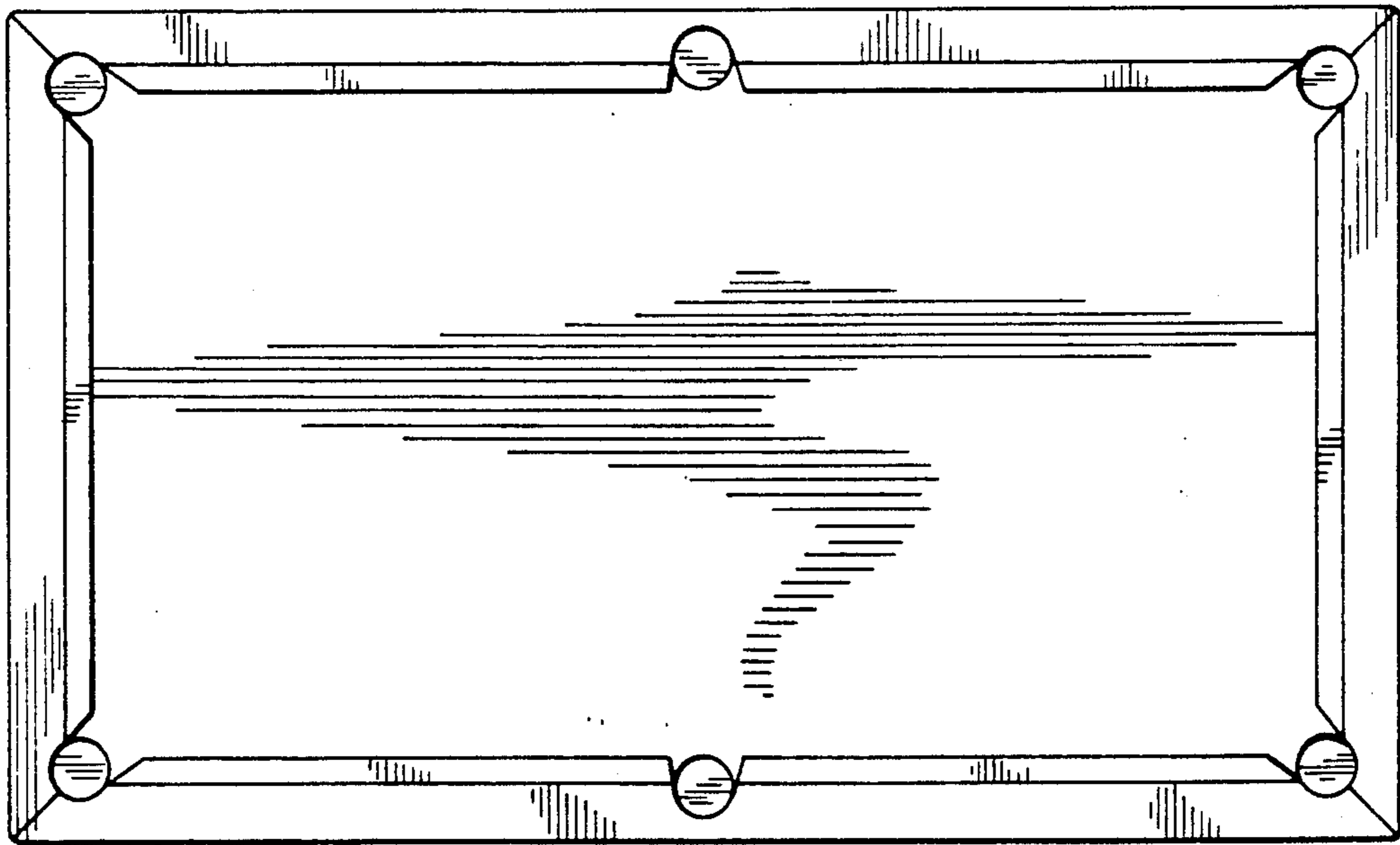


FIG. 6

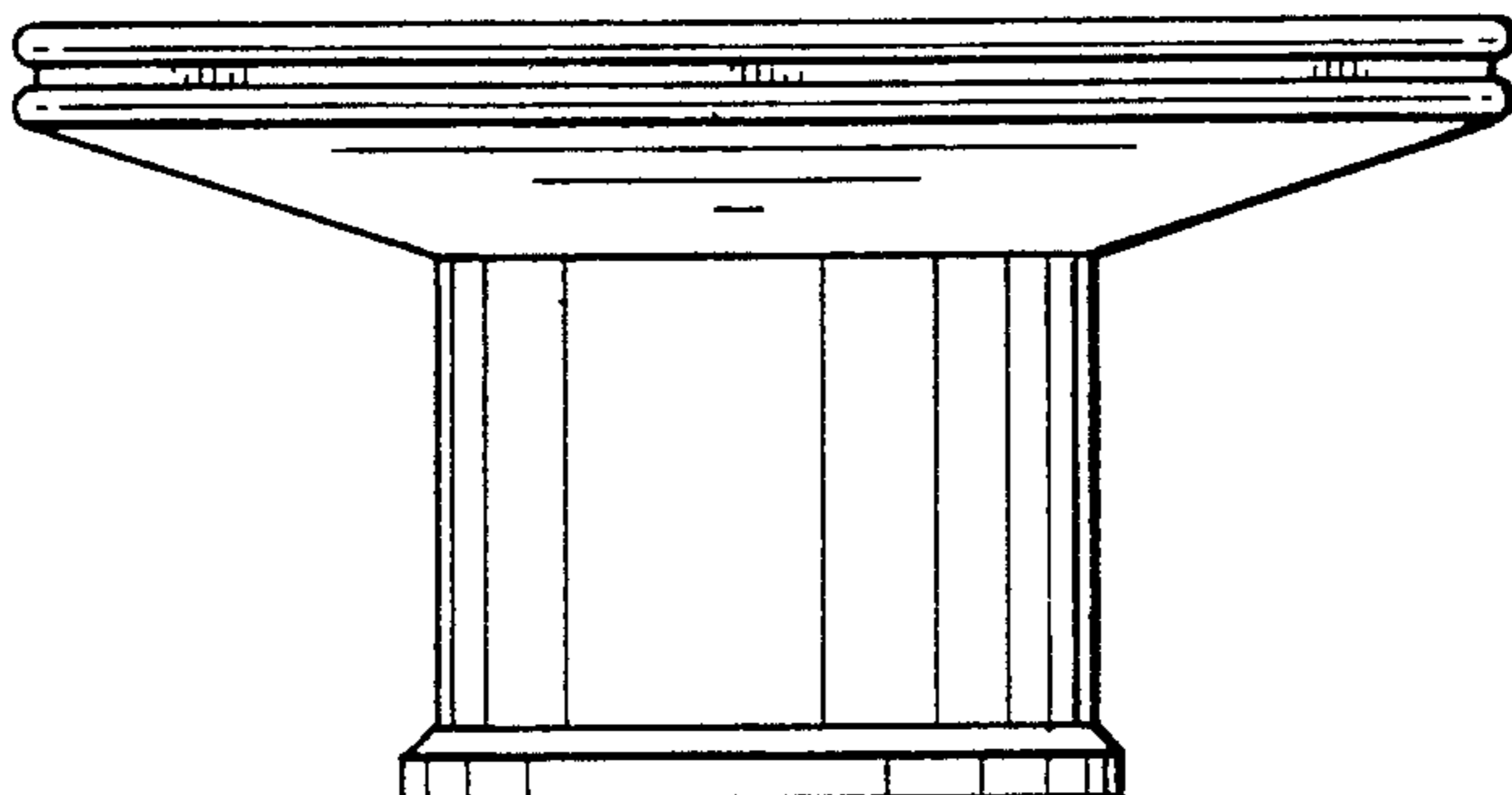


FIG. 7

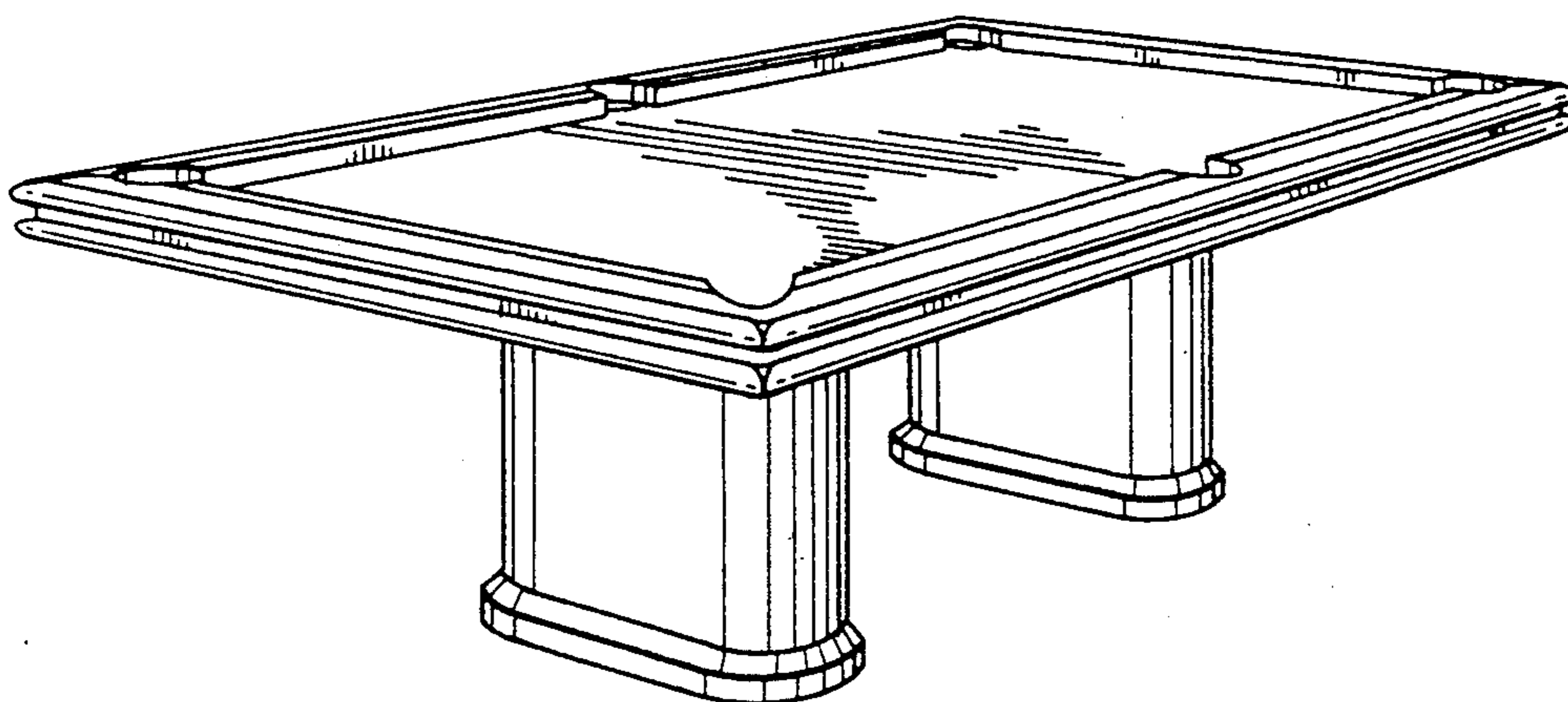


FIG. 8