

[54] **PHYSICAL EXERCISER**

[76] **Inventor: John W. Bull, 2502 Wedgewood Ct., Olympia, Wash. 98501**

[**] **Term: 14 Years**

[21] **Appl. No.: 183,184**

[22] **Filed: Apr. 19, 1988**

Related U.S. Application Data

[63] Continuation-in-part of Ser. No. 181,302, Apr. 13, 1988, Pat. No. 4,830,362.

[52] **U.S. Cl. D21/195**

[58] **Field of Search 272/96, 70, 69, 71, 272/72, 73, 97, 129, 130, 135; D21/191-199**

References Cited

U.S. PATENT DOCUMENTS

D. 302,451	7/1989	Bull et al.	D21/195
D. 304,358	10/1989	Armstrong et al.	D21/195
326,247	9/1885	Root .	
1,176,365	3/1916	Hartnett .	
1,521,487	12/1924	Turner .	
2,079,594	5/1937	Clem .	
2,253,996	8/1941	Bechman .	
2,969,060	1/1961	Swanda et al. .	
3,007,280	11/1961	Berberich	272/96
3,495,824	2/1970	Cuinier .	
3,511,500	5/1970	Dunn .	
3,529,474	9/1970	Olson et al. .	
3,582,069	6/1971	Flick et al. .	
3,587,319	6/1971	Andrews .	
3,628,791	12/1971	Garcia .	

3,747,924	7/1973	Champoux .	
3,758,112	9/1973	Crum et al. .	
3,759,511	9/1973	Zinkin et al. .	
3,970,302	7/1976	McFee .	
3,976,058	8/1976	Tidwell .	
4,550,908	11/1985	Dixon .	
4,600,187	7/1986	Schenker .	
4,628,909	12/1986	Tietsworth	272/70
4,830,362	5/1989	Bull	270/70
4,838,543	6/1989	Armstrong et al.	272/70

FOREIGN PATENT DOCUMENTS

593703 1/1978 U.S.S.R. .

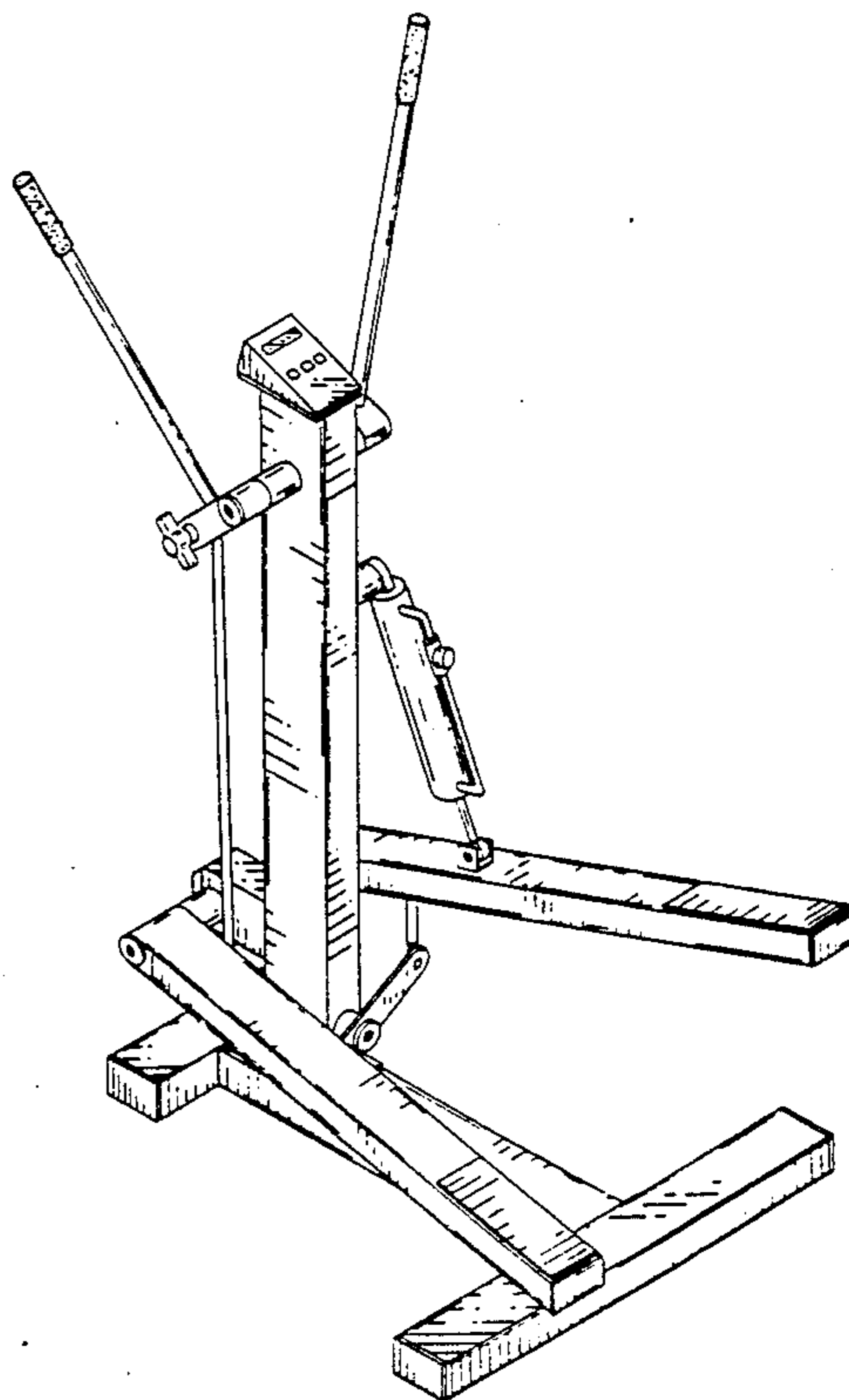
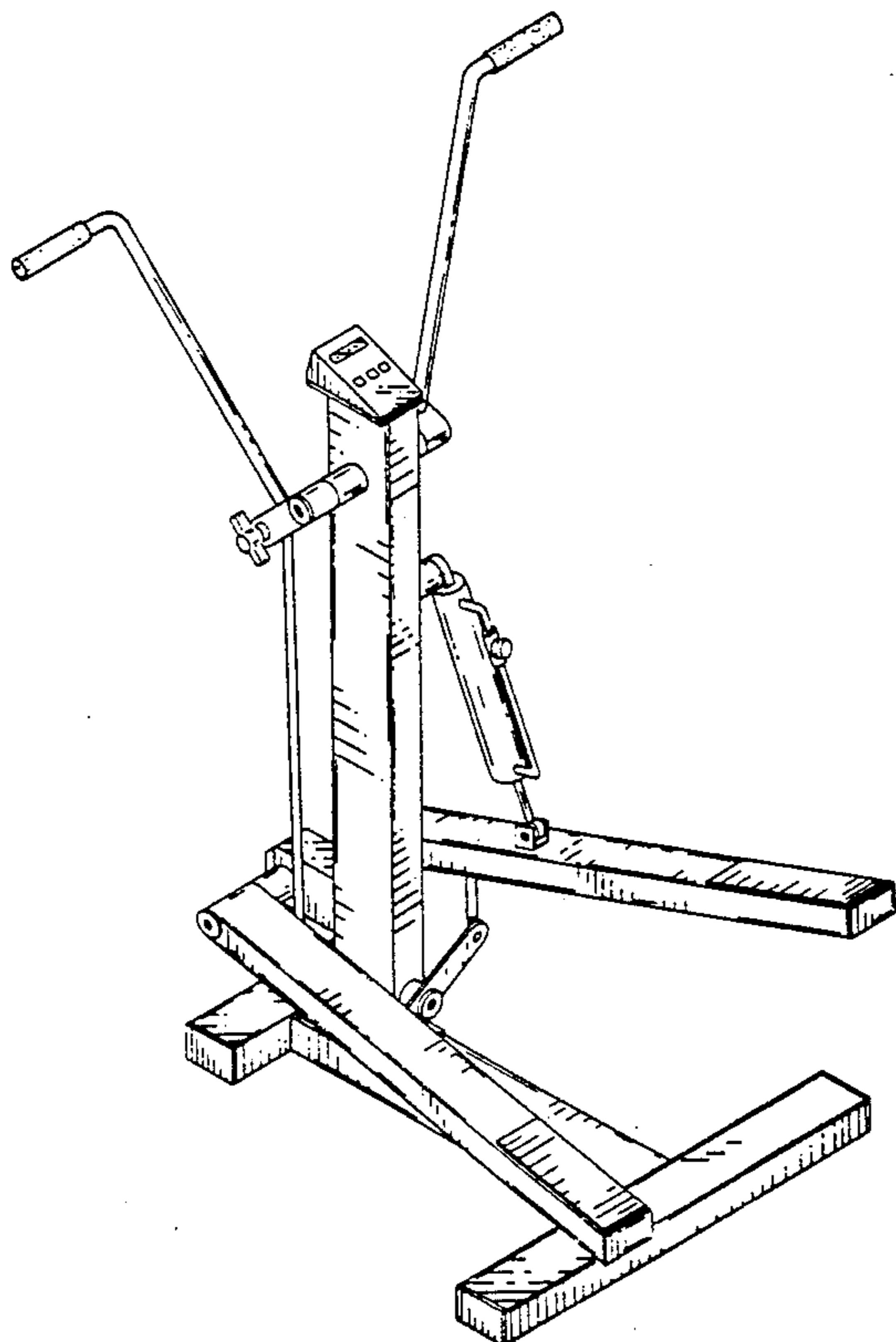
Primary Examiner—Charles A. Rademaker
Attorney, Agent, or Firm—F. Eugene Logan

[57] **CLAIM**

The ornamental design for a physical exerciser, as shown and described.

DESCRIPTION

FIG. 1 is a top, front and right side perspective view of a physical exerciser showing my new design; FIG. 2 is a right side elevational view thereof; FIG. 3 is a left side elevational view thereof; FIG. 4 is a top plan view thereof; FIG. 5 is a front elevational view thereof; FIG. 6 is a top, front and right side perspective view of a modified embodiment of the design shown in FIGS. 1-5; FIG. 7 is a right side elevational view thereof; FIG. 8 is a left side elevational view thereof; FIG. 9 is a top plan view thereof; and FIG. 10 is a front elevational view thereof.



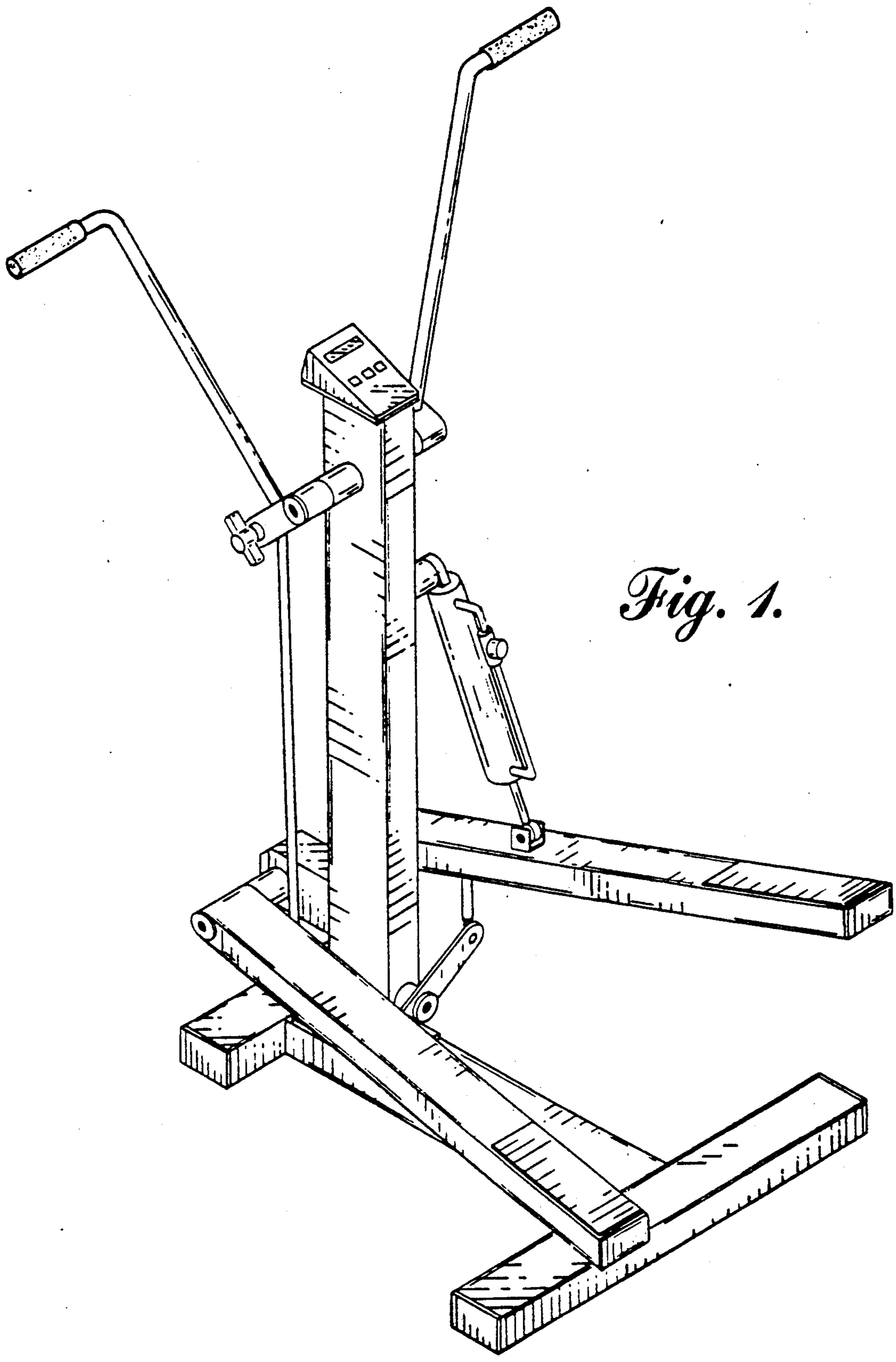


Fig. 1.

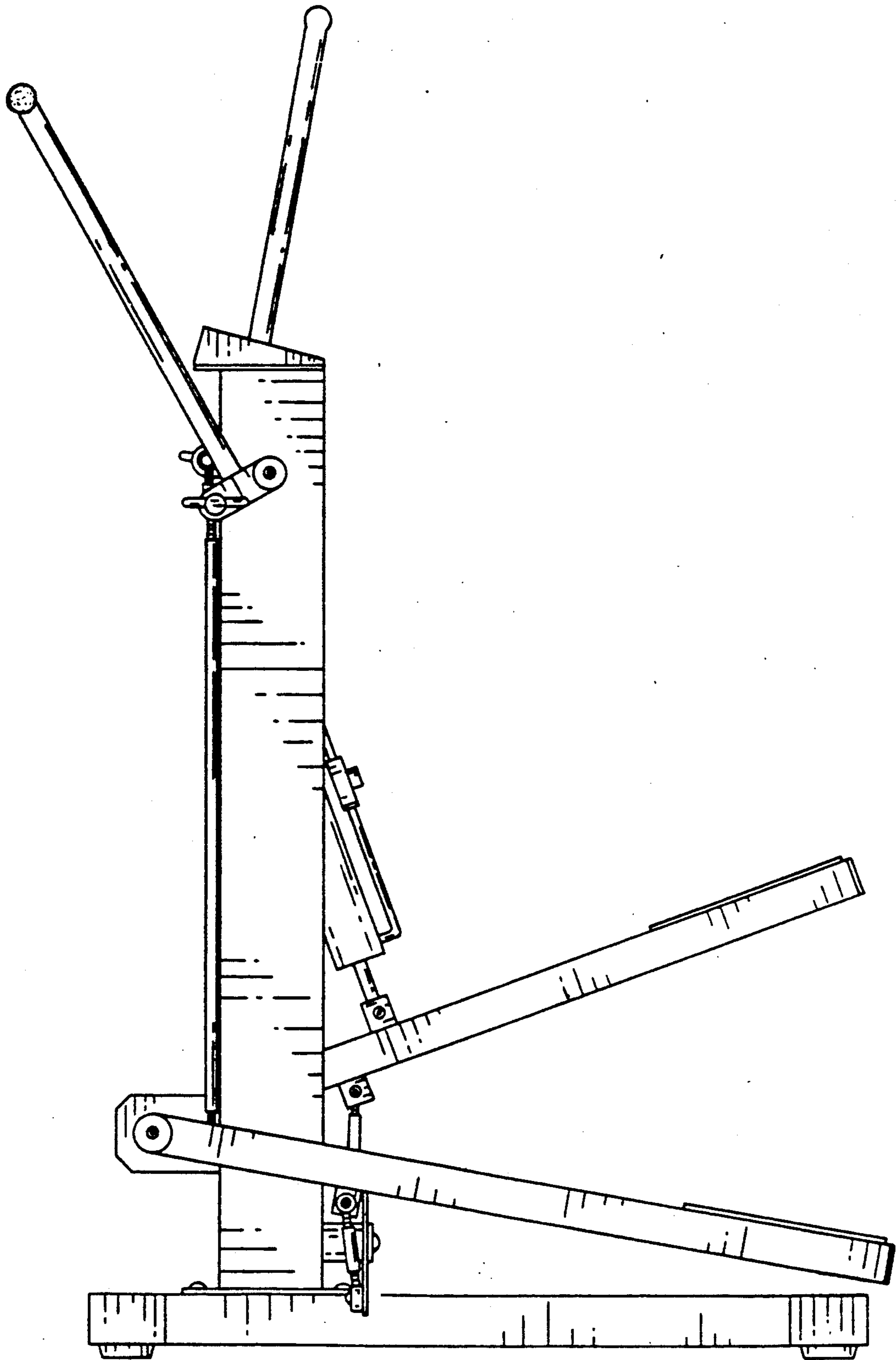


Fig. 2.

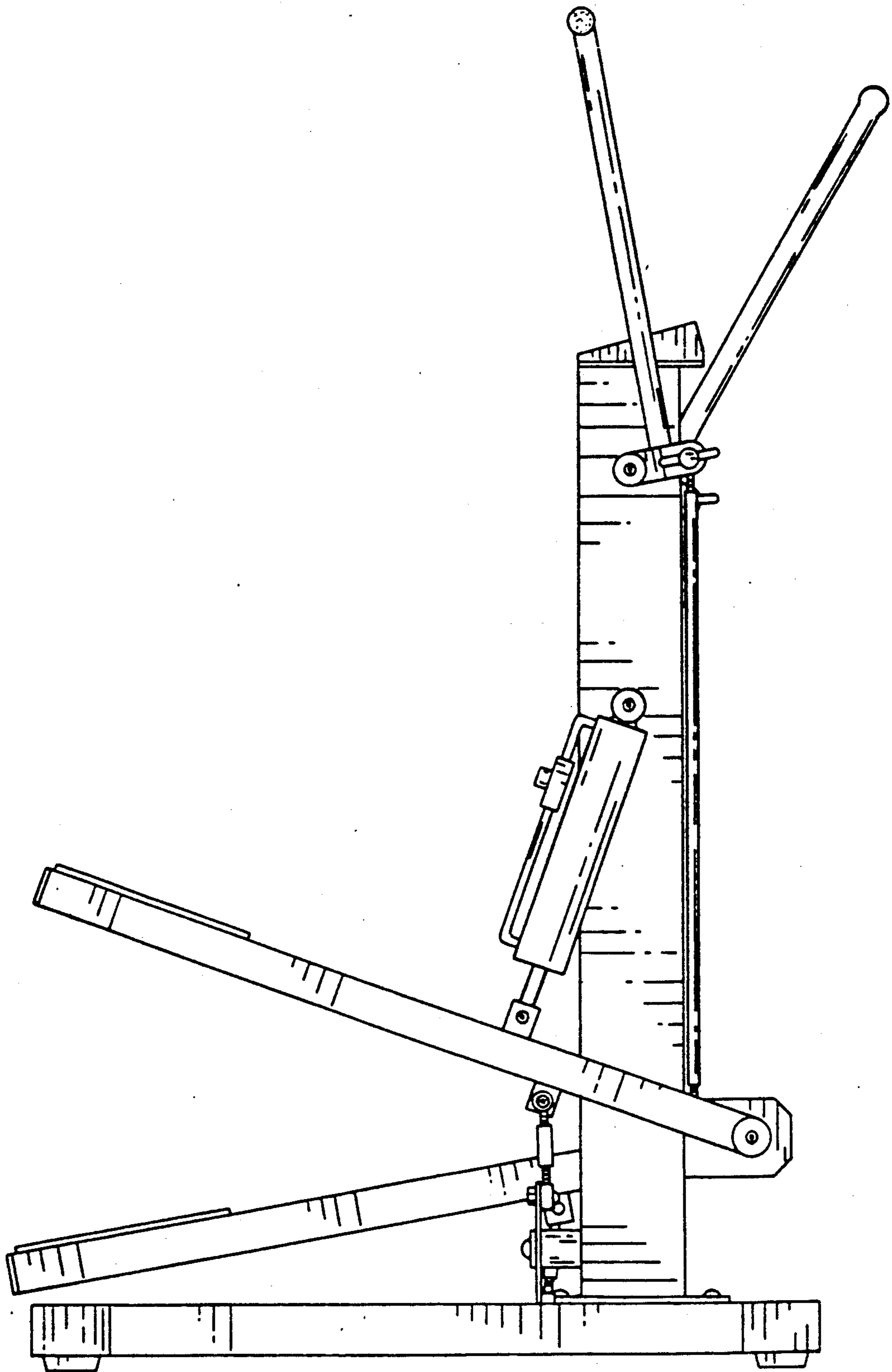


Fig. 3.

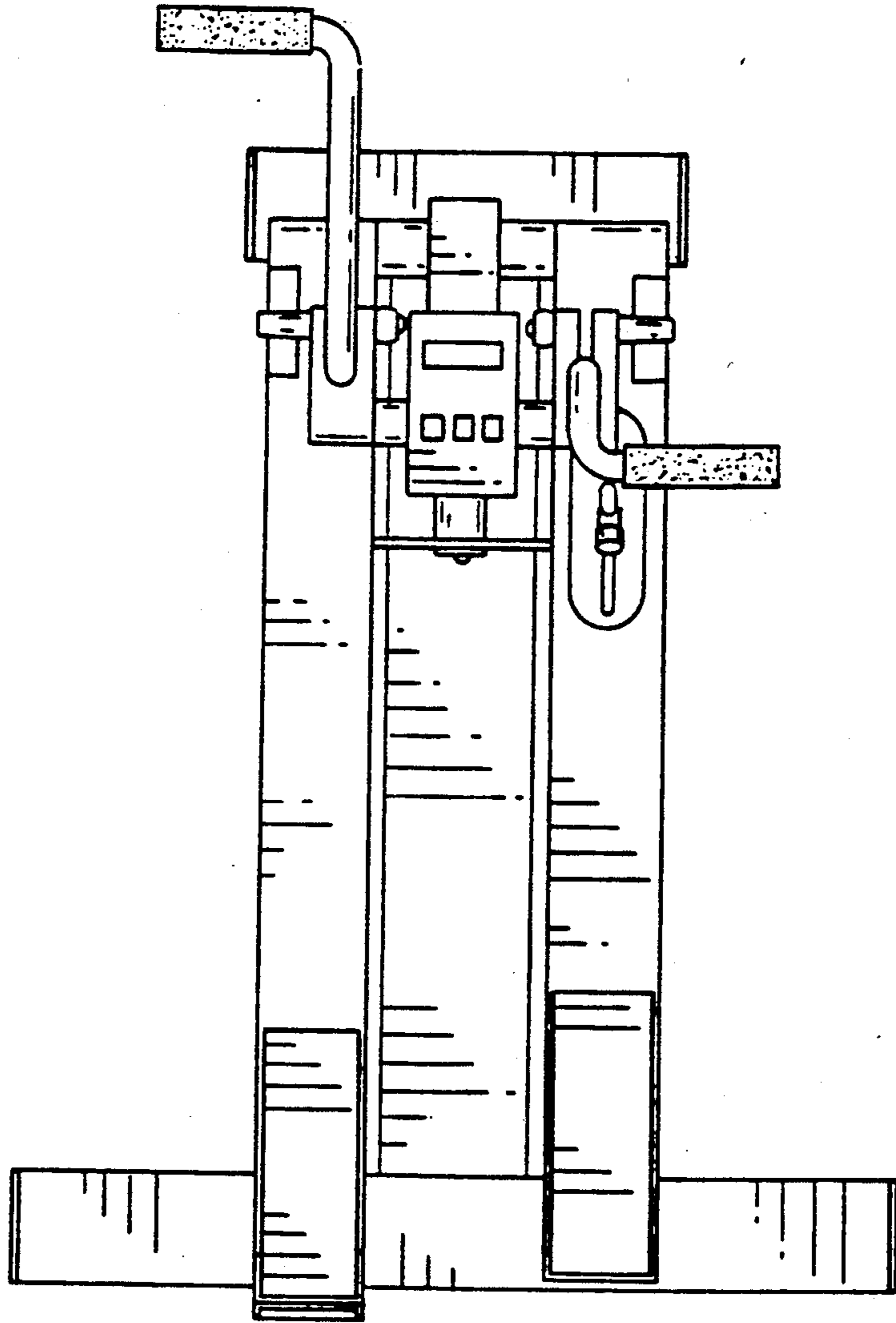


Fig. 4.

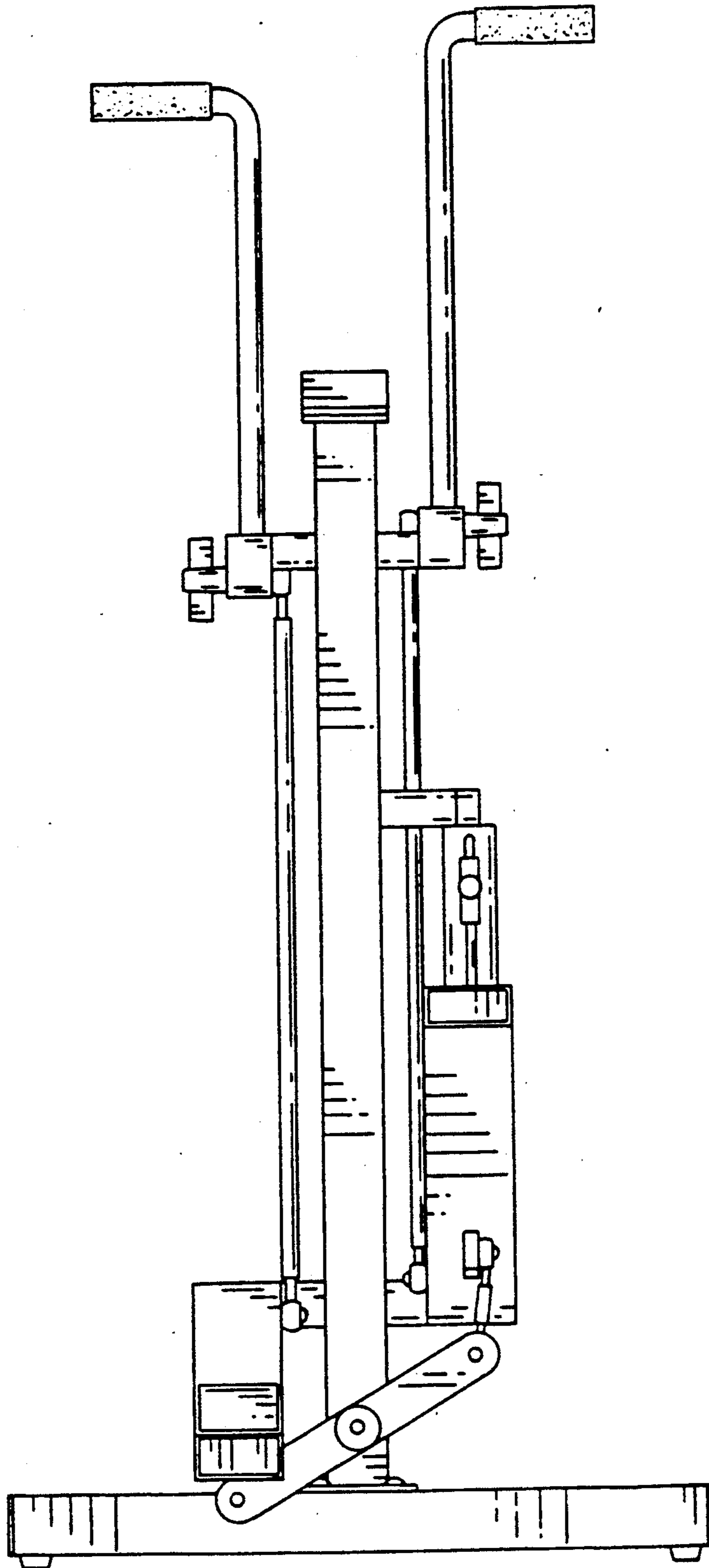


Fig. 5.

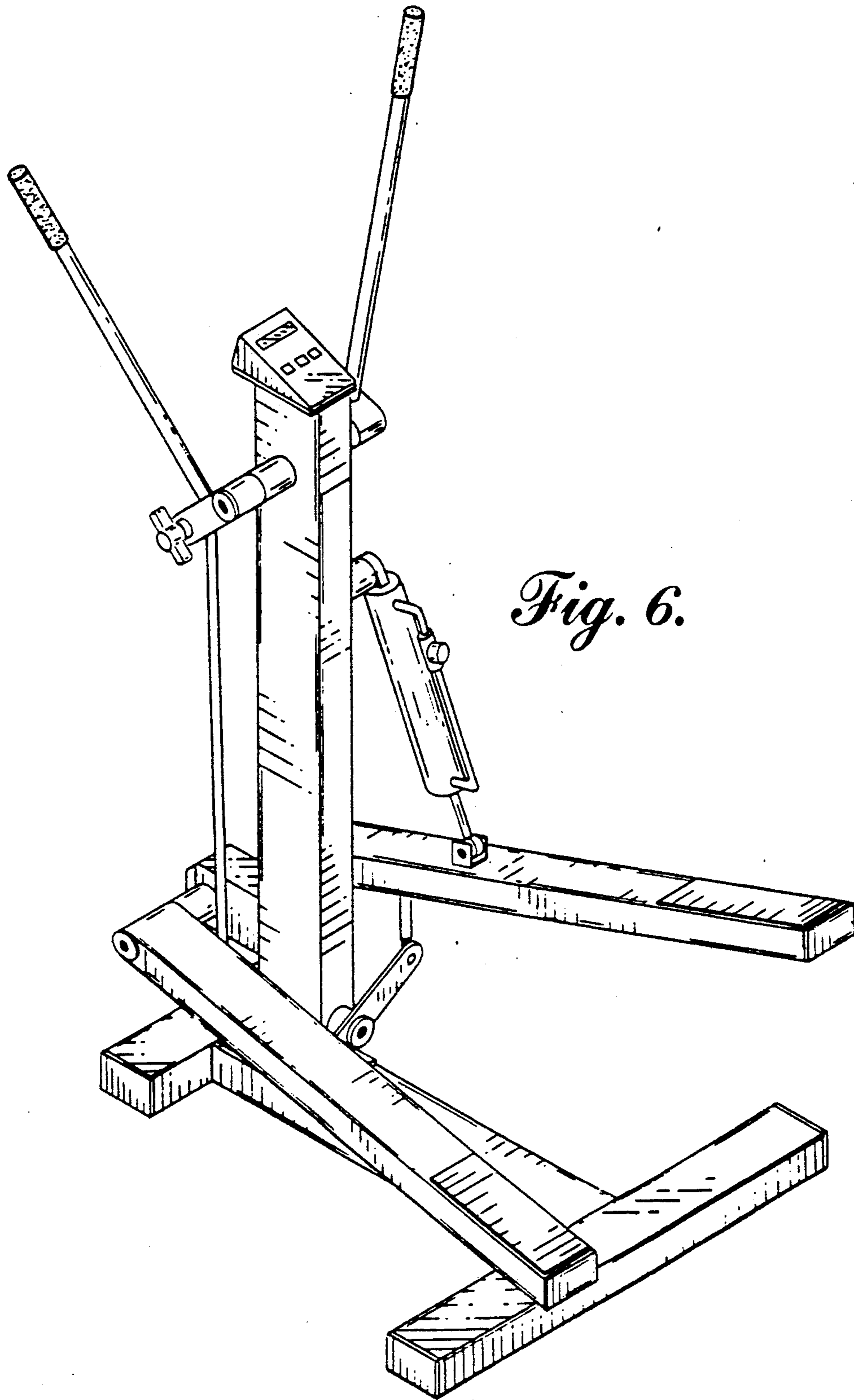


Fig. 6.

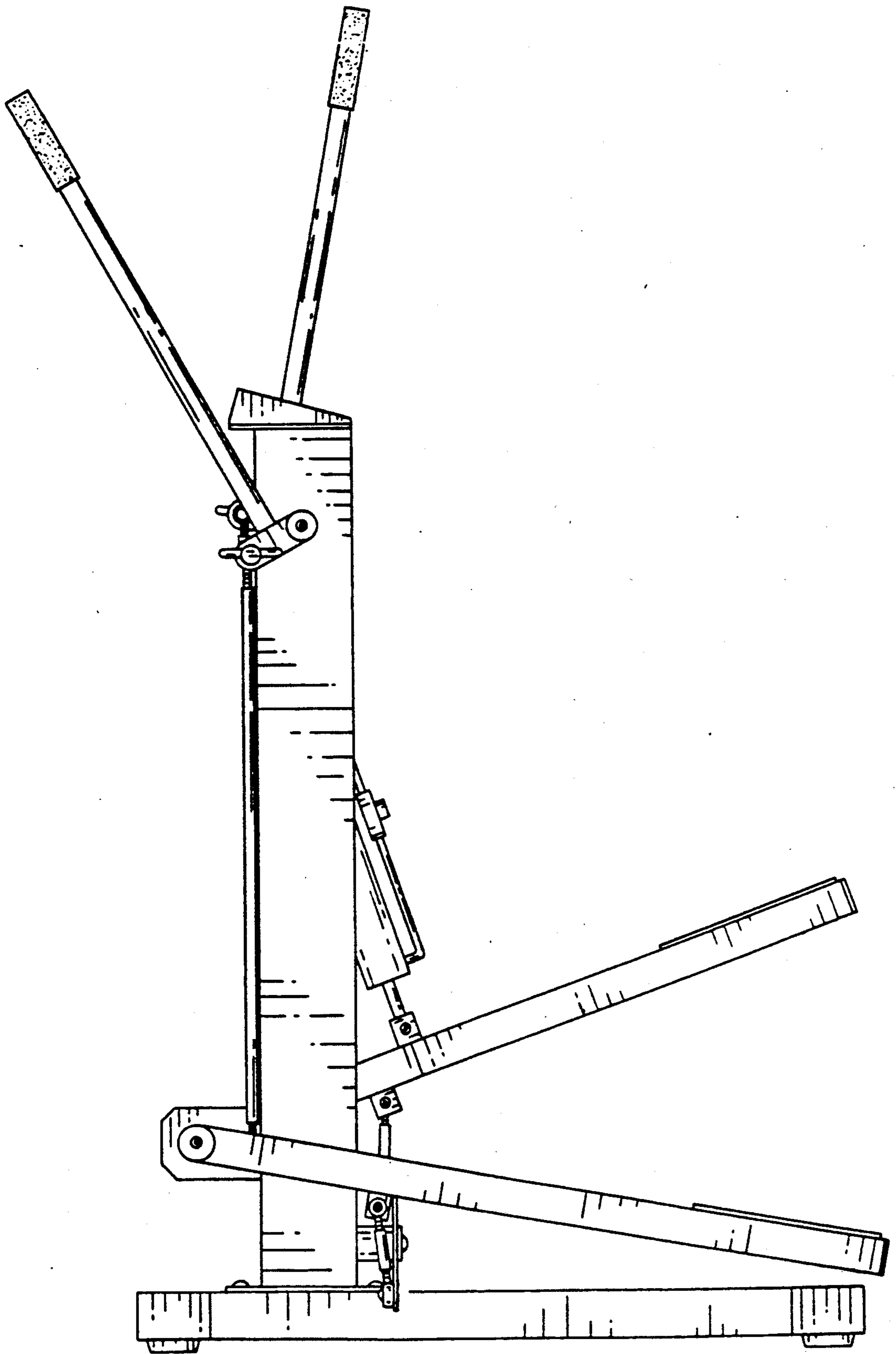


Fig. 7.

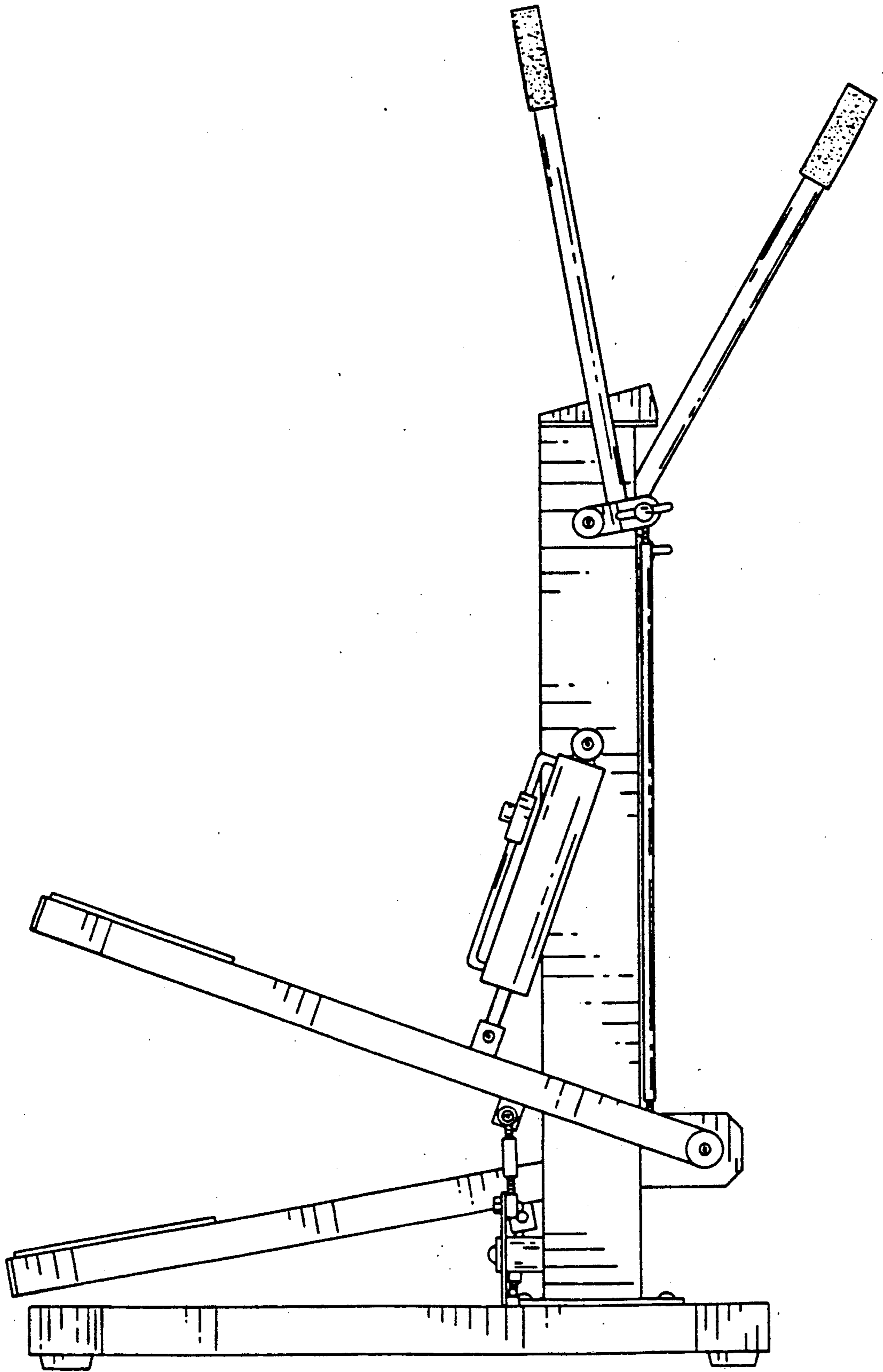


Fig. 8.

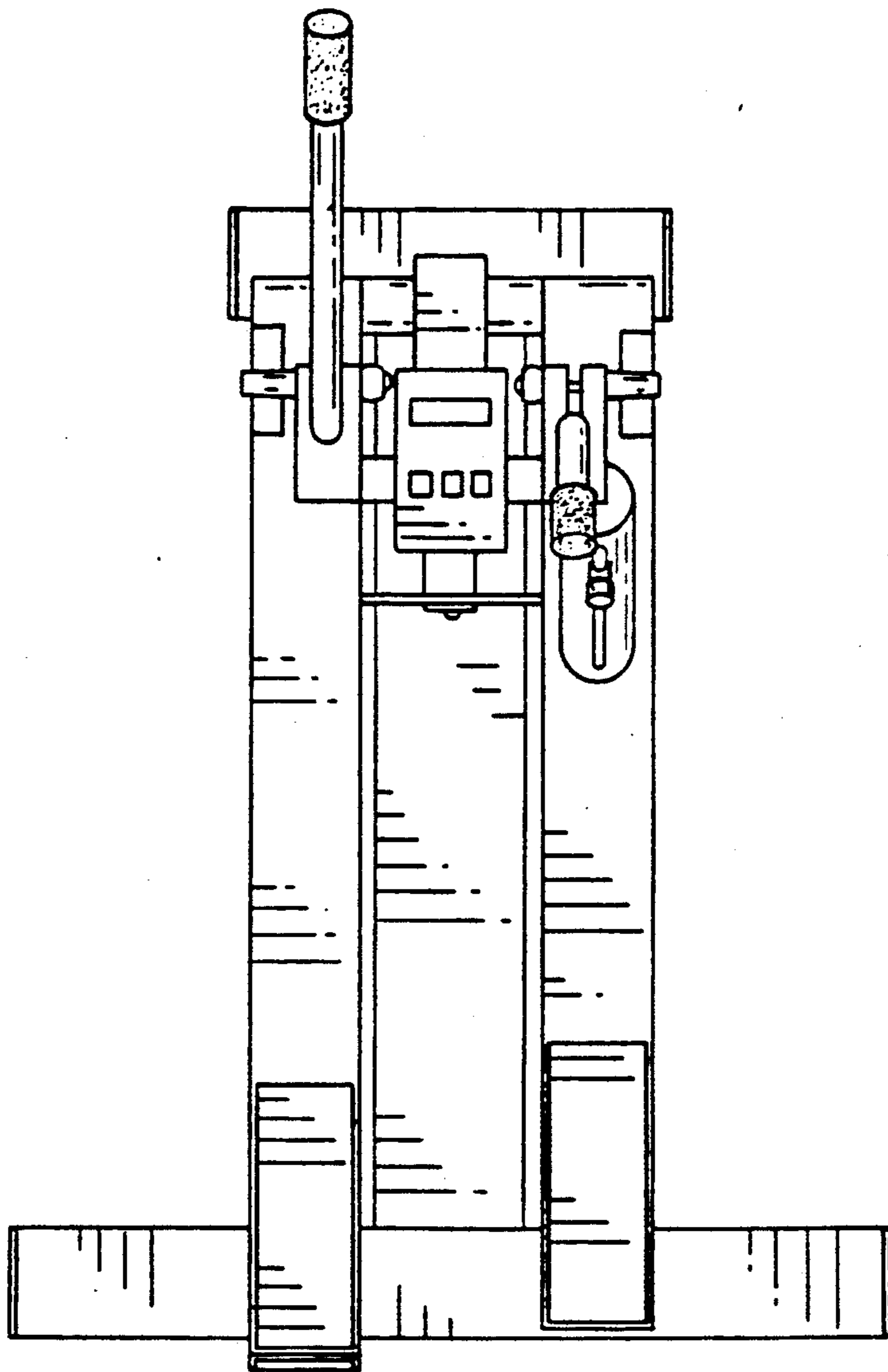


Fig. 9.

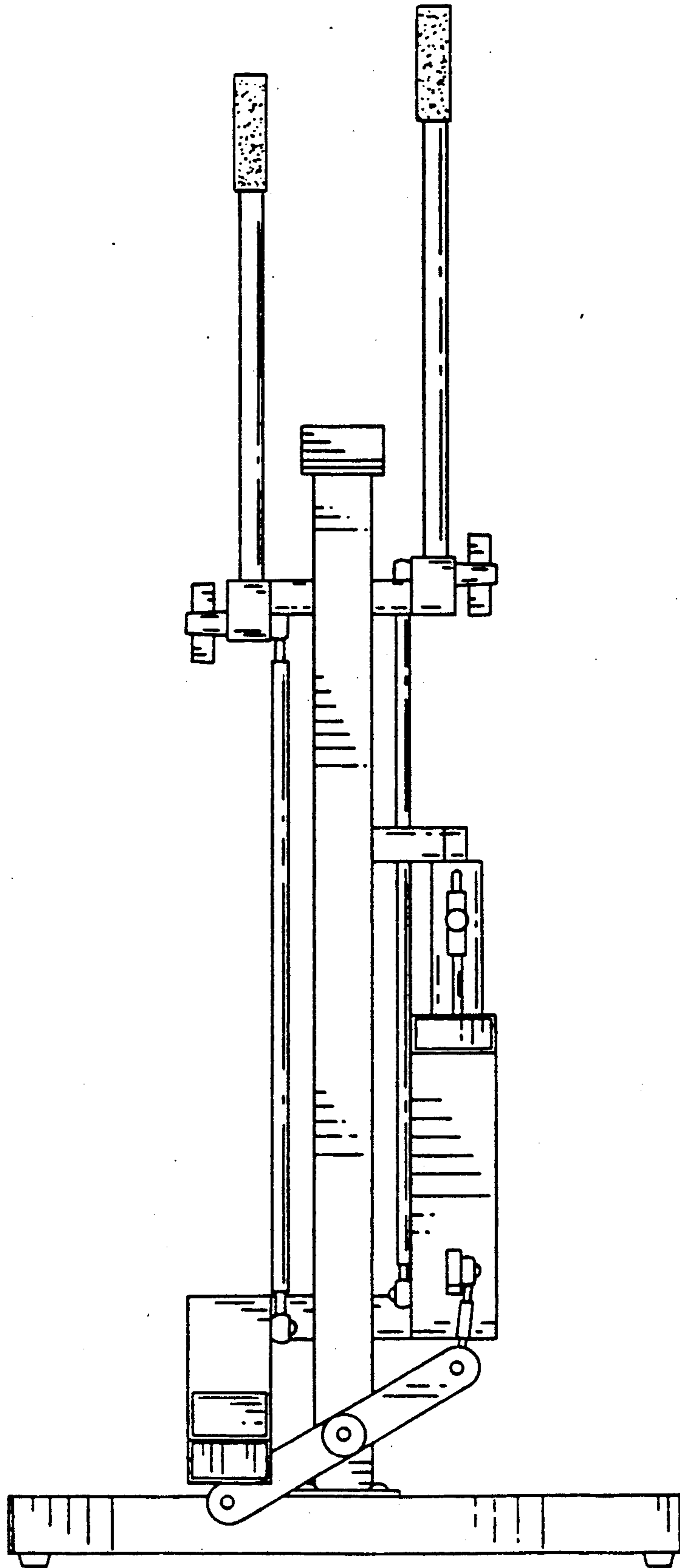


Fig. 10.