

[54] **TAPE DISPENSER**

[75] **Inventor: Mel Evenson, San Pedro, Calif.**

[73] **Assignee: Eldon Industries, Inc., Inglewood, Calif.**

[**] **Term: 14 Years**

[21] **Appl. No.: 296,245**

[22] **Filed: Jan. 13, 1989**

[52] **U.S. Cl. D19/69; D19/67**

[58] **Field of Search D19/67, 68, 69; 225/6, 225/19, 33, 34, 45, 55, 56, 77, 89, 106**

[56] **References Cited**

U.S. PATENT DOCUMENTS

D. 118,629	1/1940	Reinecke	D19/69
D. 146,718	4/1947	Hudson	D19/69
D. 175,066	7/1955	Emmert	D19/69
D. 177,224	3/1956	Gershen	D19/69
D. 200,508	3/1965	Bogeous	D19/69 X
D. 263,059	2/1982	Croyle et al.	D19/69
D. 300,750	4/1989	Mead	D19/67
D. 305,249	12/1989	Ukisu	D19/69 X
2,463,445	3/1949	Van Cleef	D19/69 X
3,127,078	3/1964	Dubnick	225/33
3,846,248	11/1974	Rose	D19/69 X
4,130,229	12/1978	Pagnini	225/33

4,527,722 7/1985 Strachan 225/34 X

Primary Examiner—Nelson C. Holtje
Assistant Examiner—Martha Thompson

[57] **CLAIM**

The ornamental design for a tape dispenser, as shown and described.

DESCRIPTION

FIG. 1 is a right side elevational view of a tape dispenser showing my new design;
FIG. 2 is a front elevational view thereof;
FIG. 3 is a left side elevational view thereof;
FIG. 4 is a rear elevational view thereof;
FIG. 5 is a top plan view thereof;
FIG. 6 is a bottom plan view thereof;
FIG. 7 is a right front perspective view thereof;
FIG. 8 is a right rear perspective view thereof;
FIG. 9 is a right side elevational view of a second embodiment of my new design;
FIG. 10 is a front elevational view of FIG. 9;
FIG. 11 is a left side elevational view of FIG. 9;
FIG. 12 is a rear elevational view of FIG. 9;
FIG. 13 is a top plan view of FIG. 9;
FIG. 14 is a bottom plan view of FIG. 9;
FIG. 15 is a right front perspective view of FIG. 9; and
FIG. 16 is a right rear perspective view of FIG. 9.

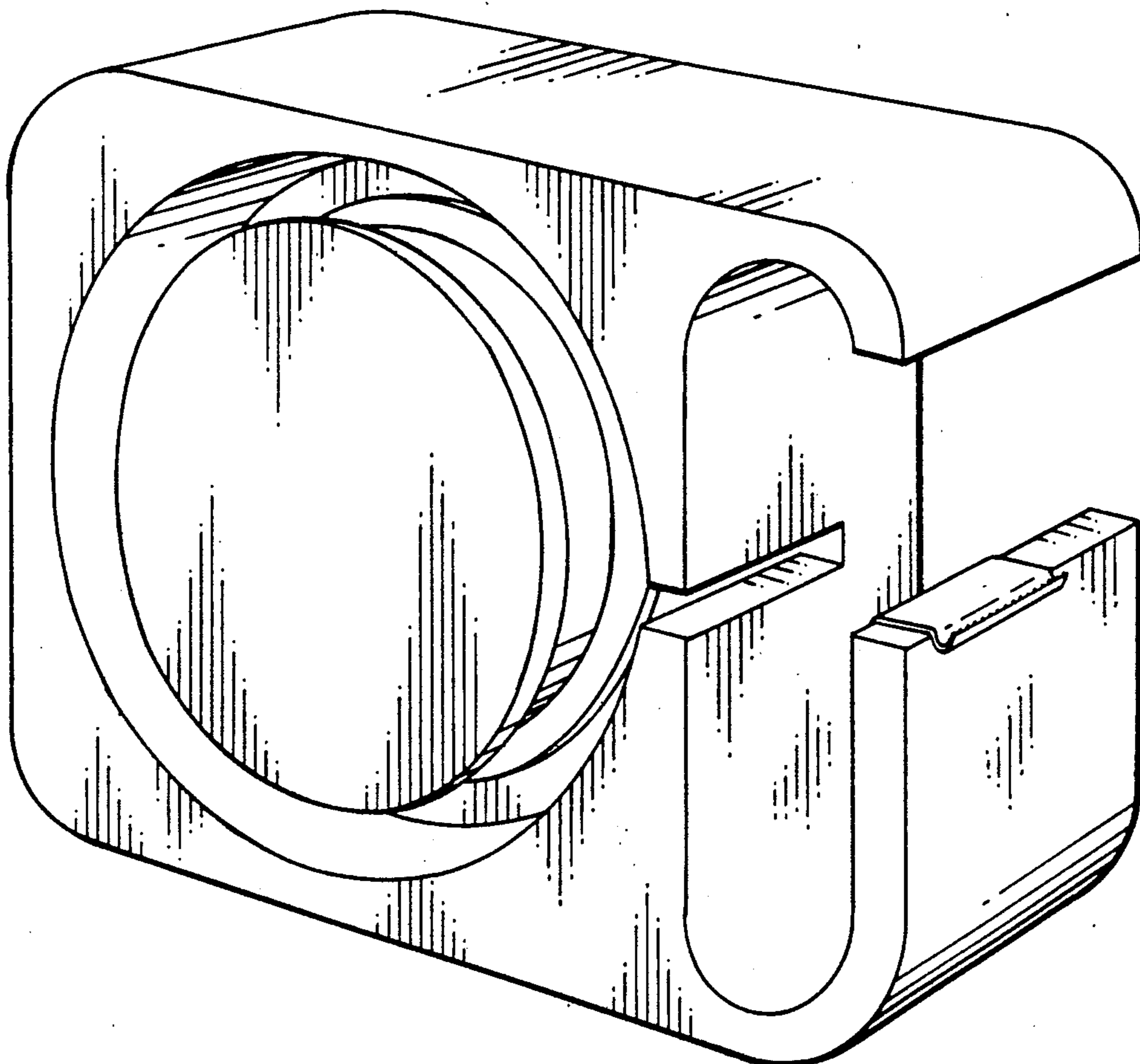


FIG.1

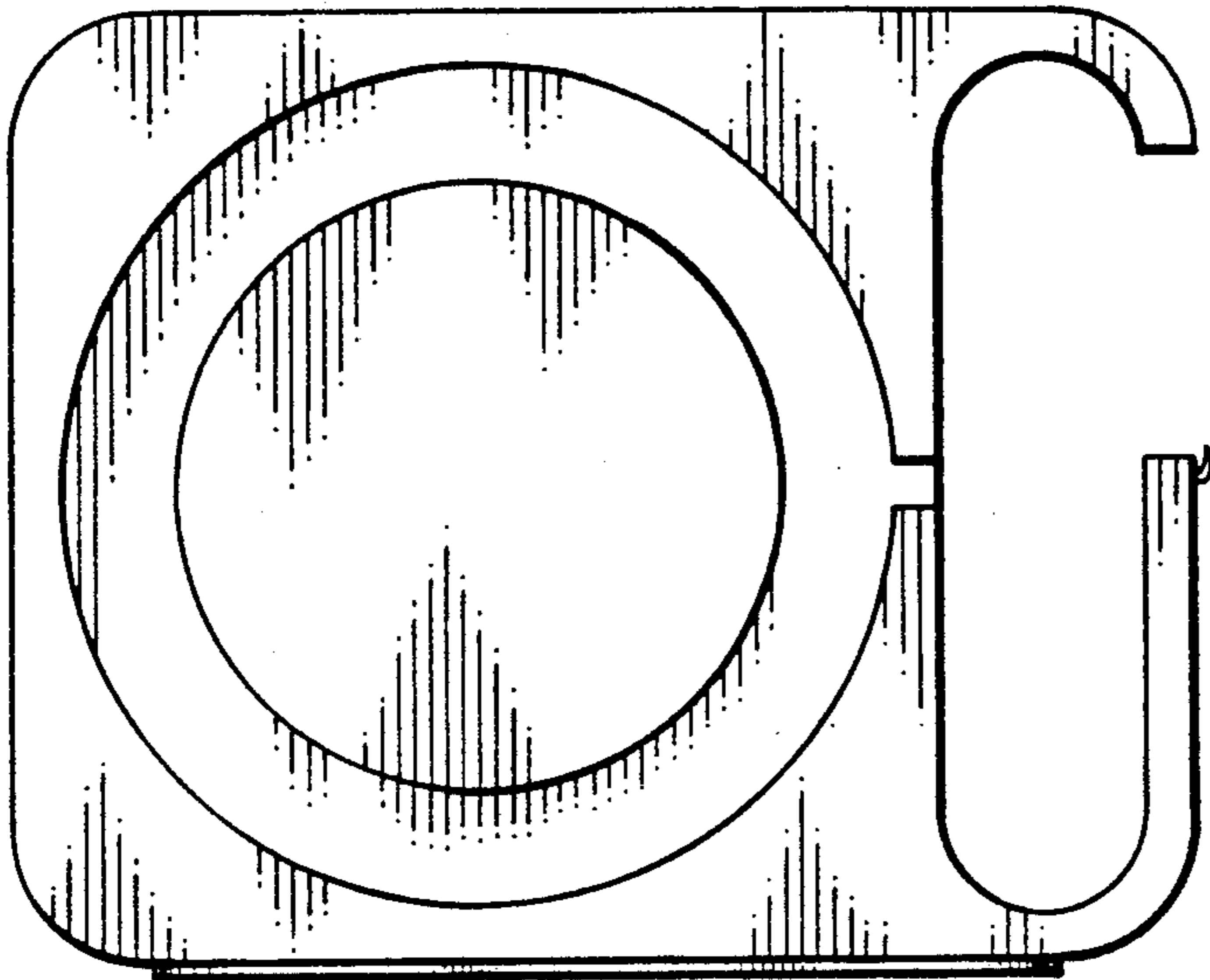


FIG.2

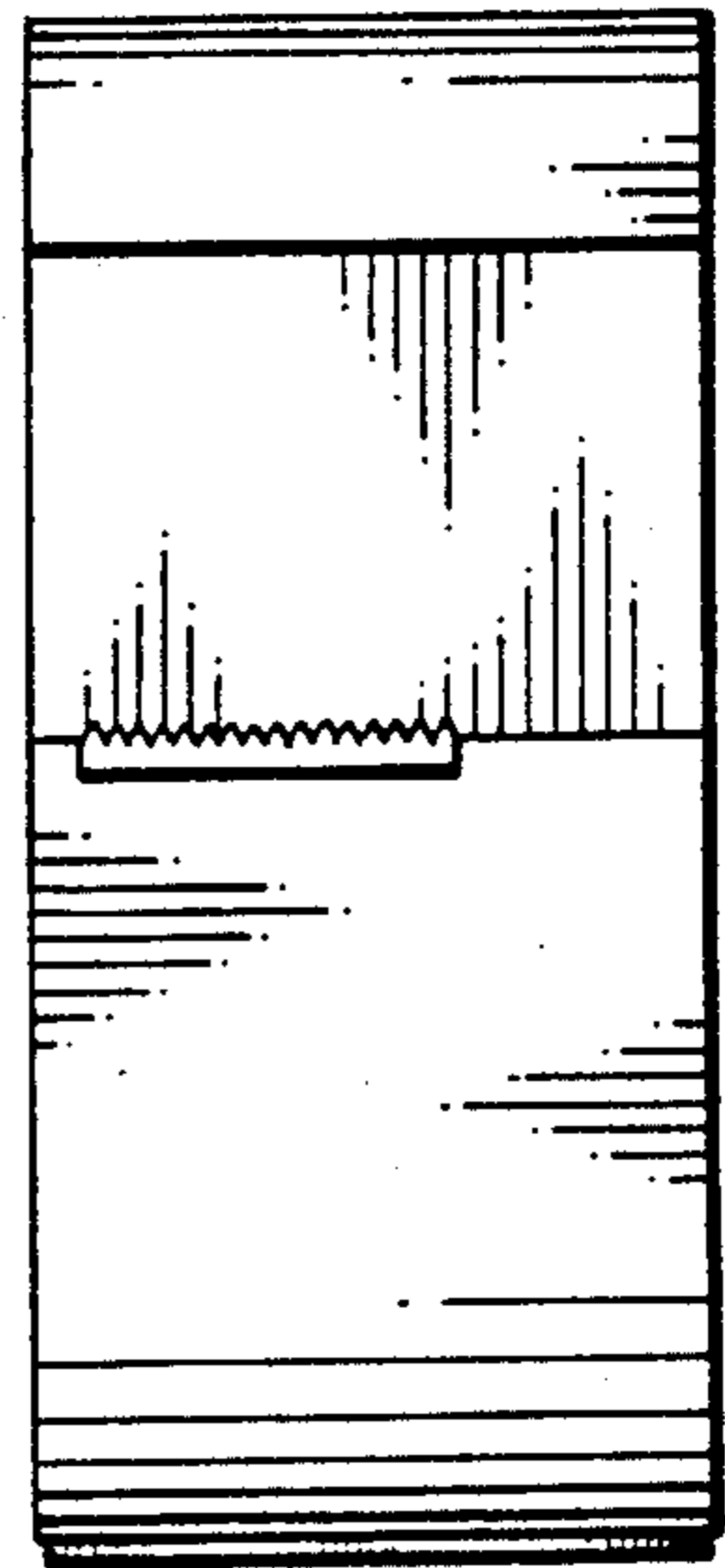


FIG.3

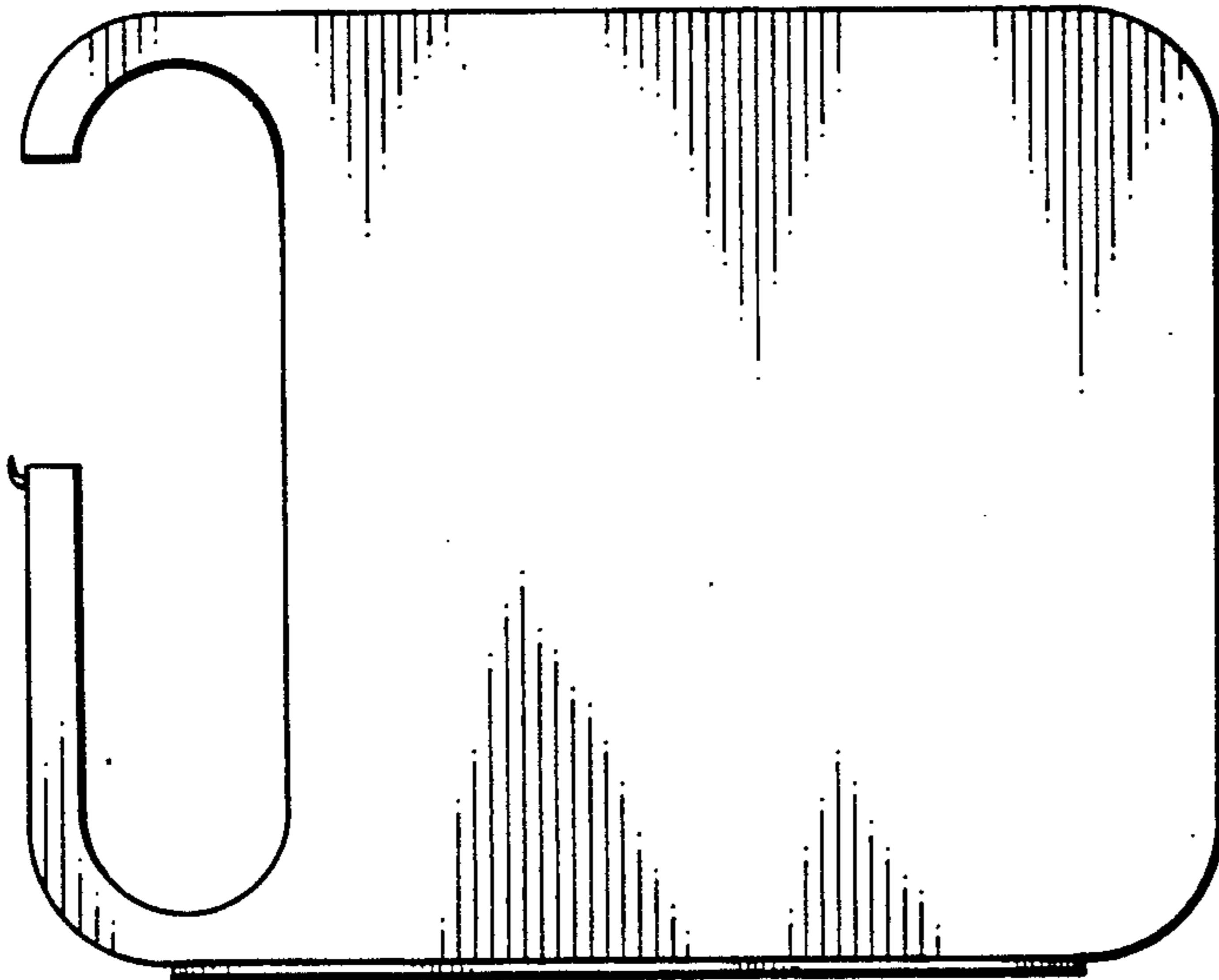


FIG.4

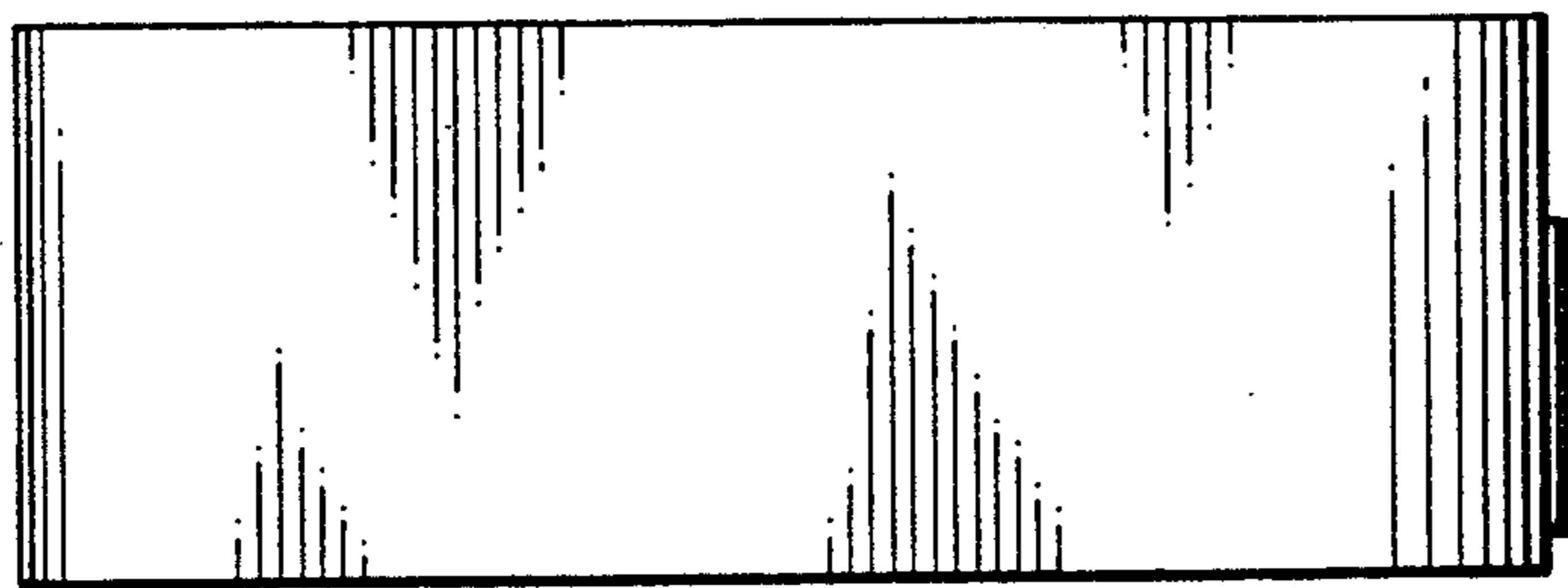
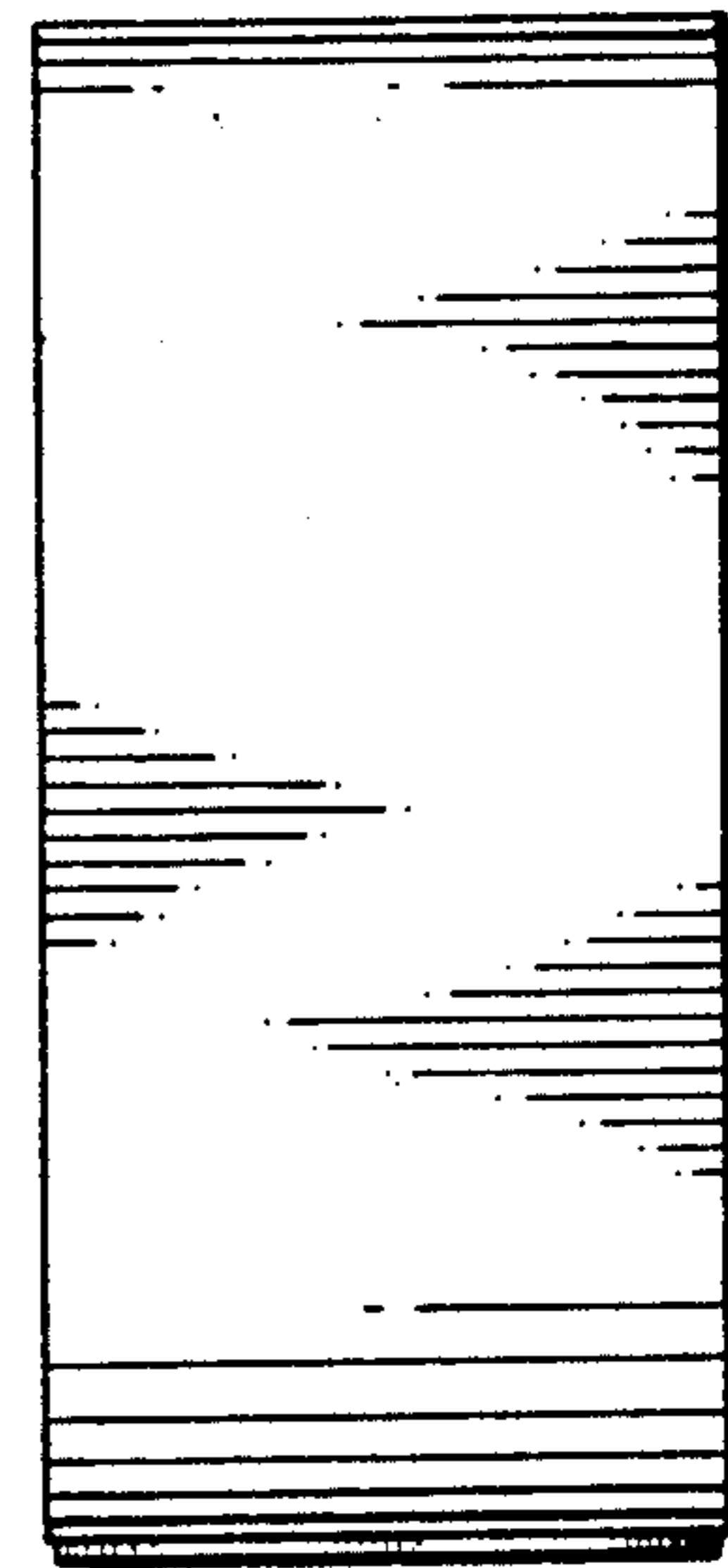
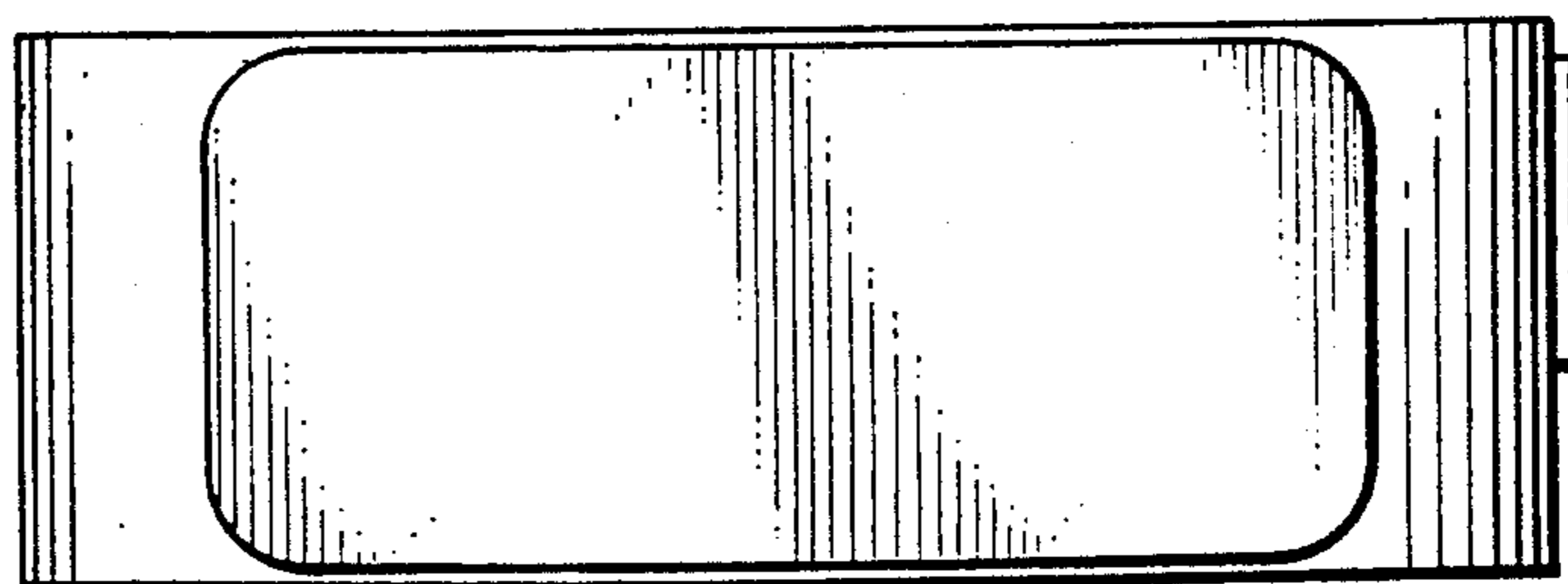


FIG.5

FIG.6



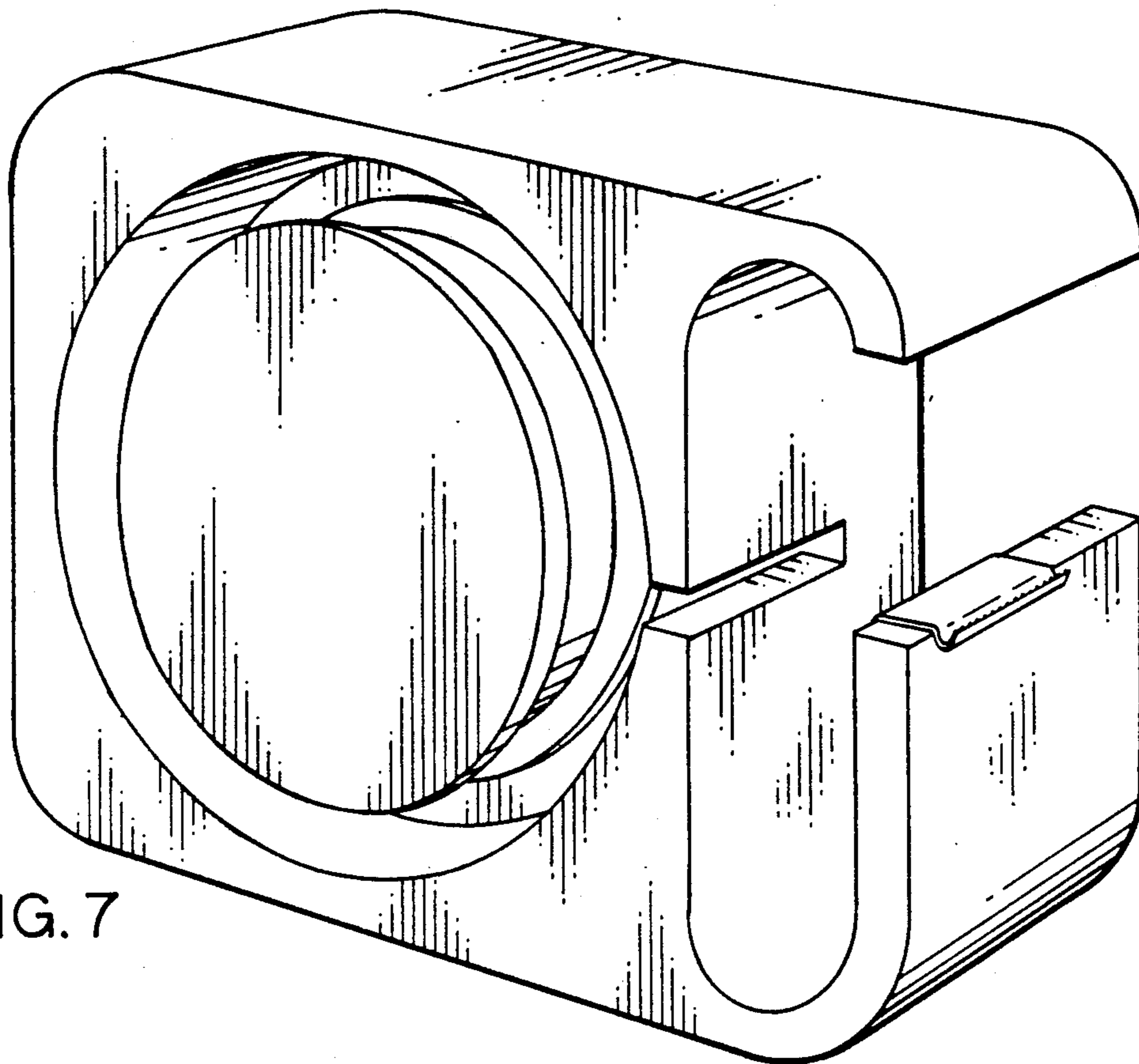


FIG. 7

FIG. 8

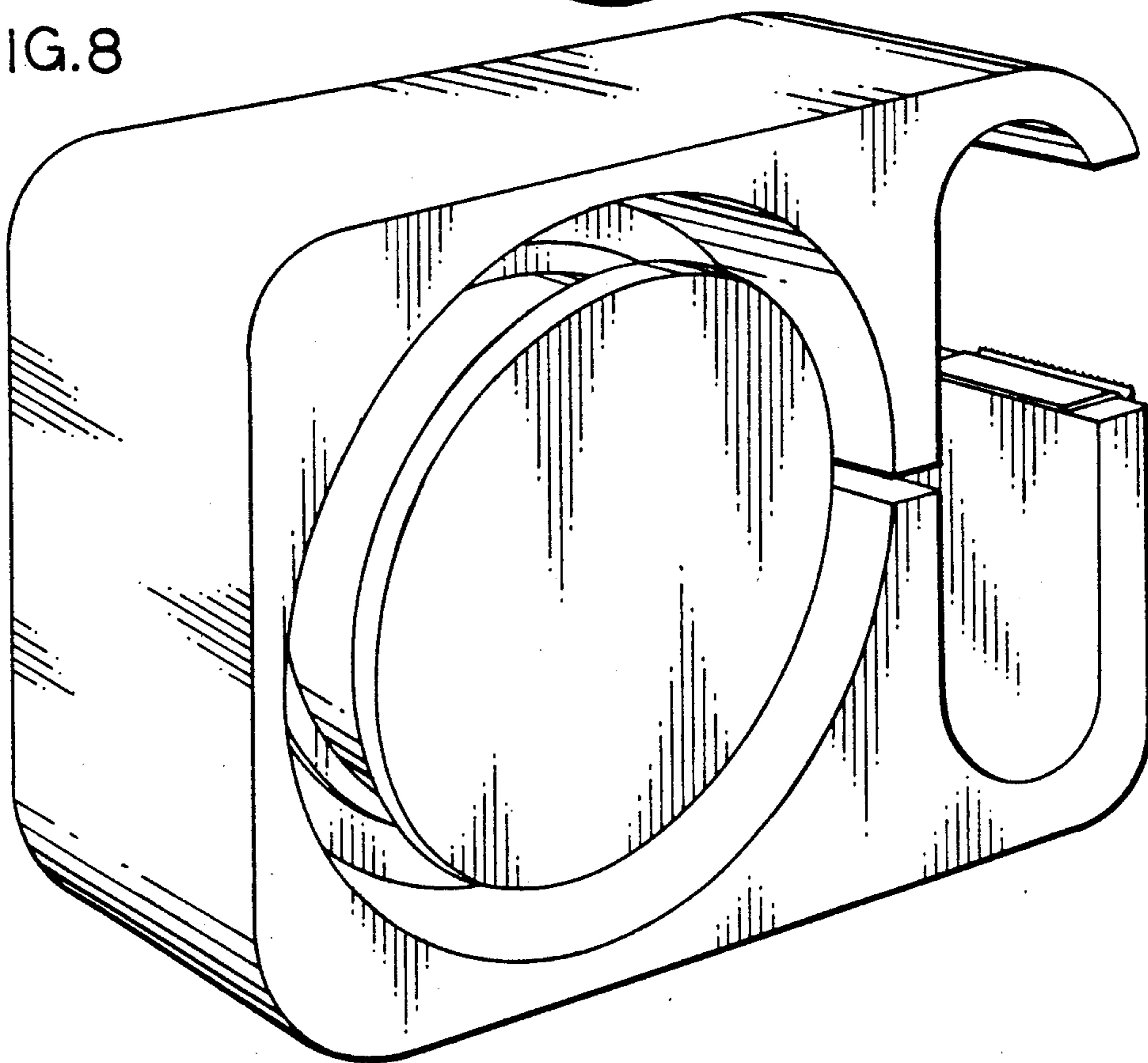


FIG.9

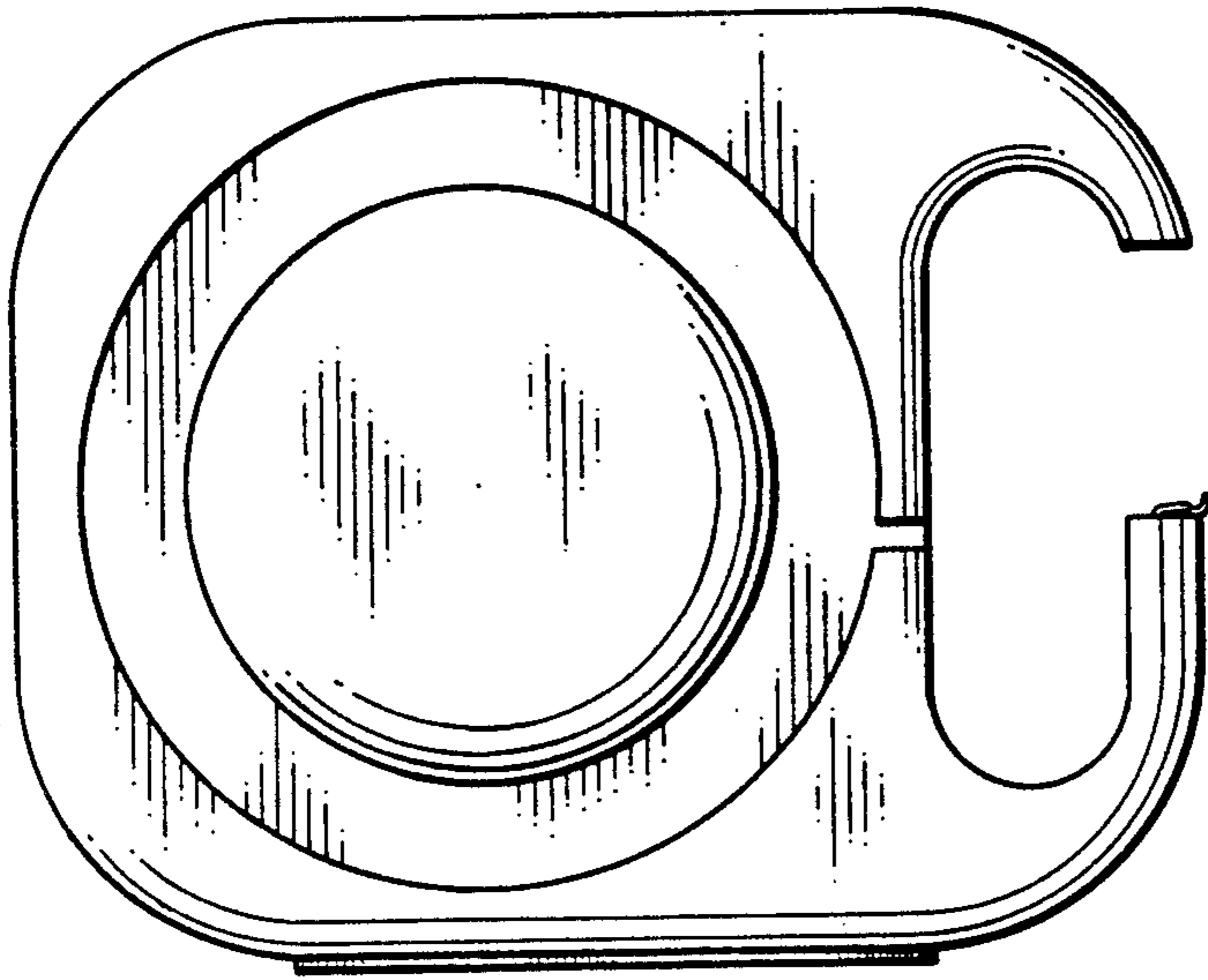


FIG.10

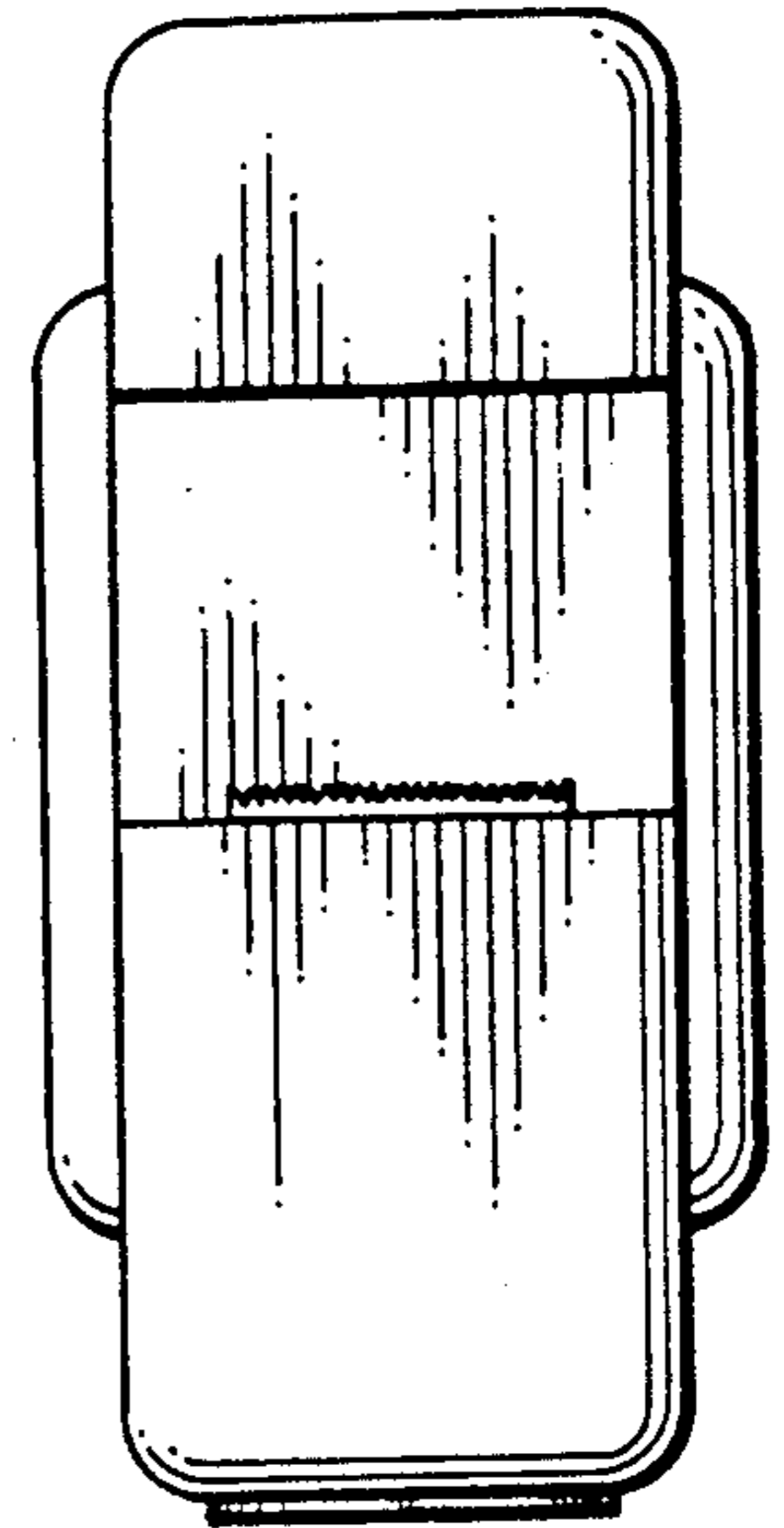


FIG.11

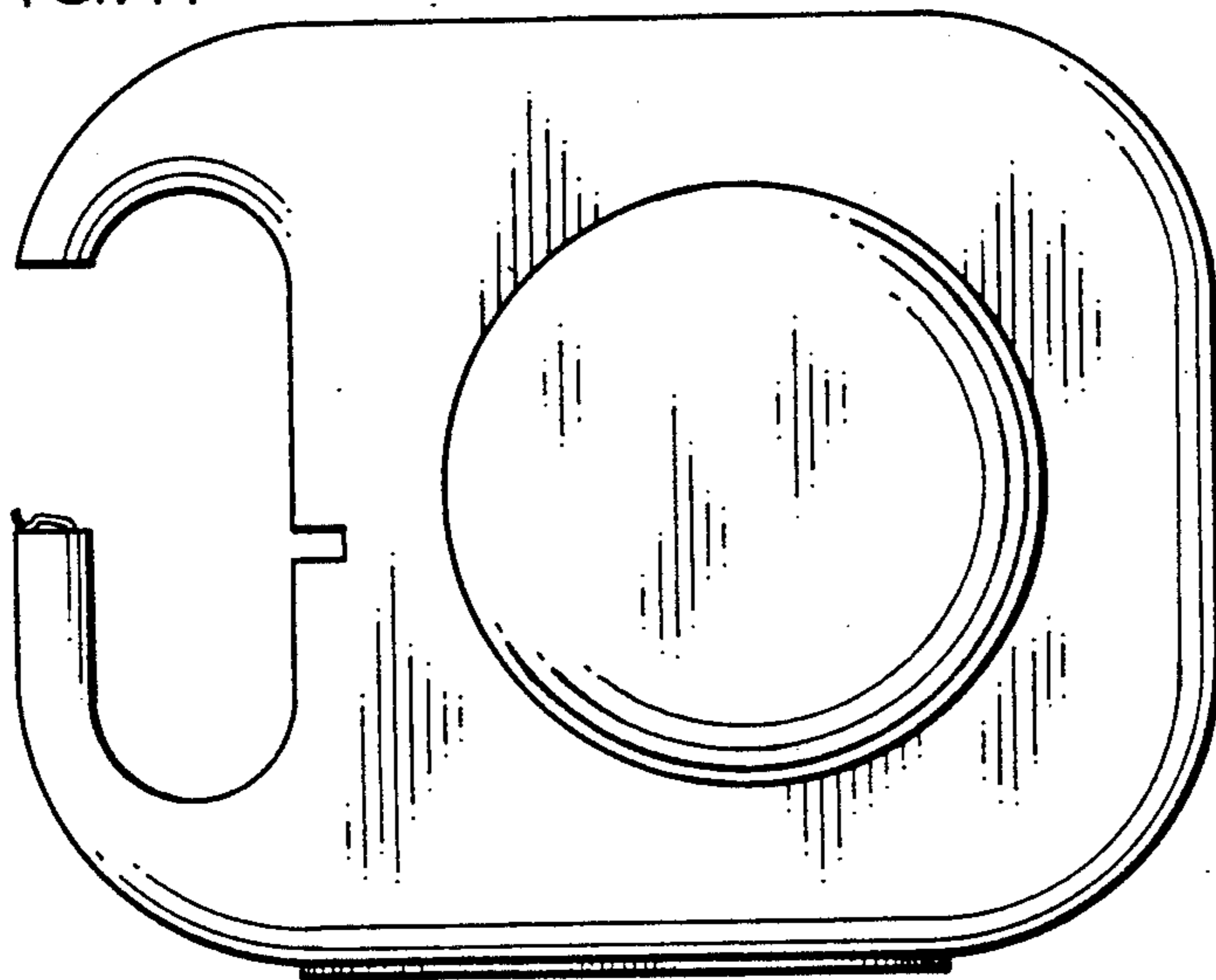


FIG.12

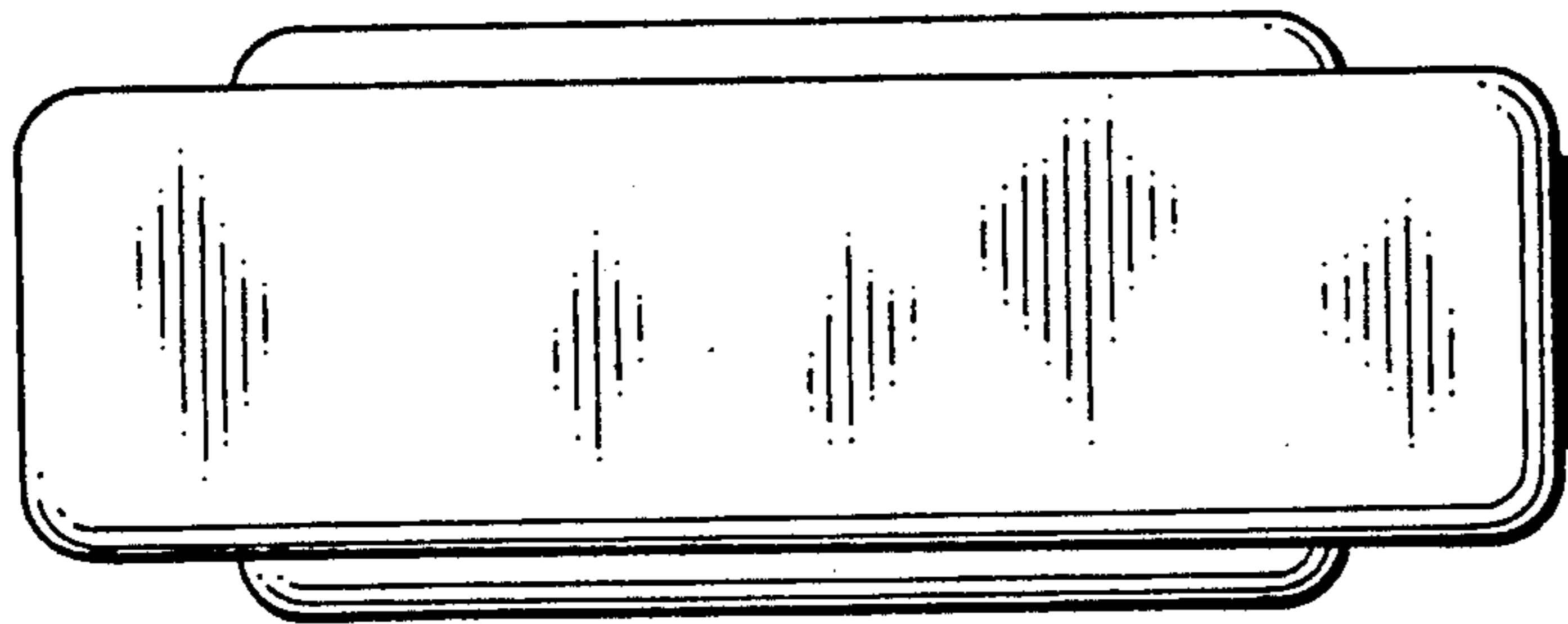
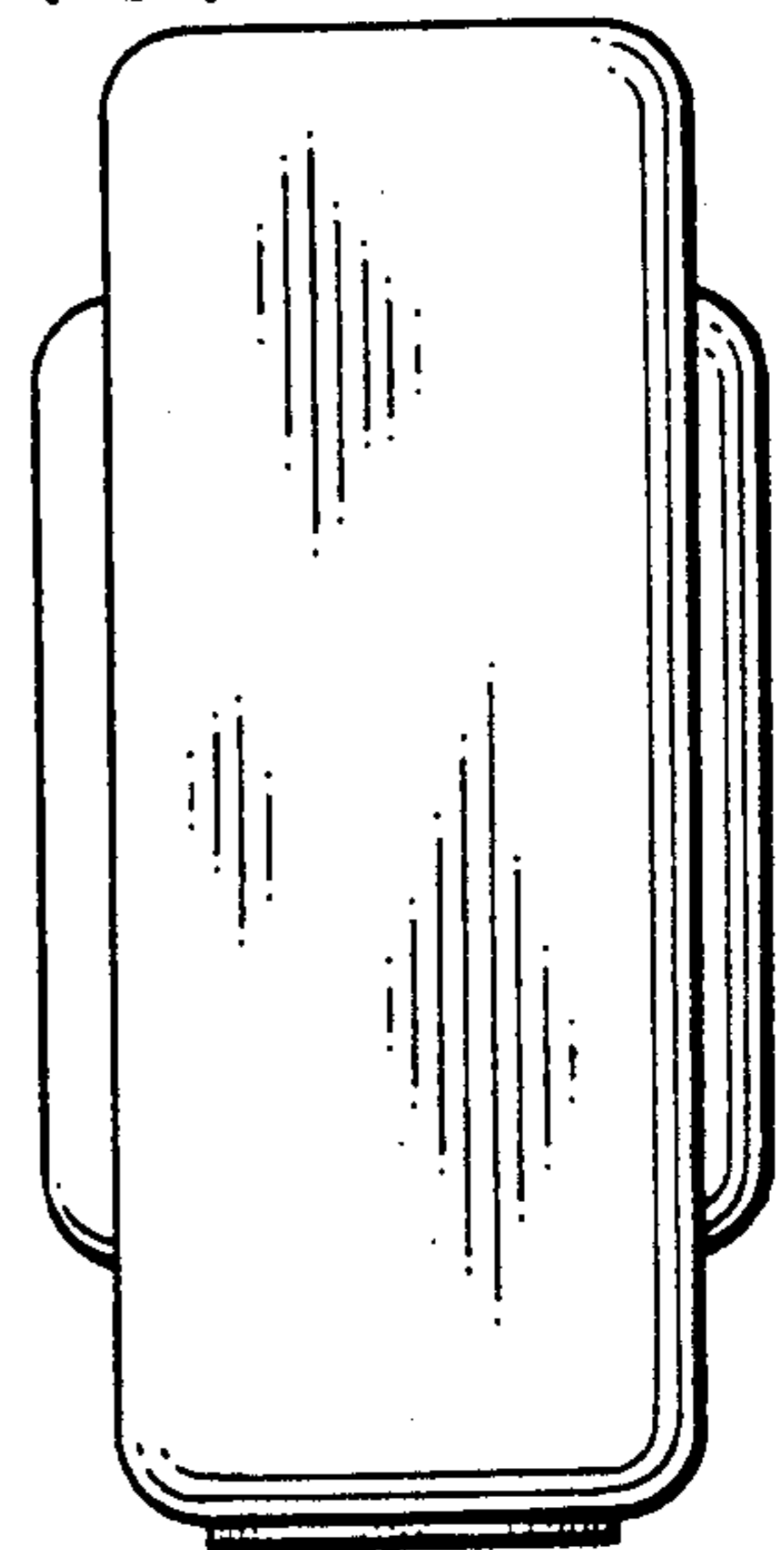
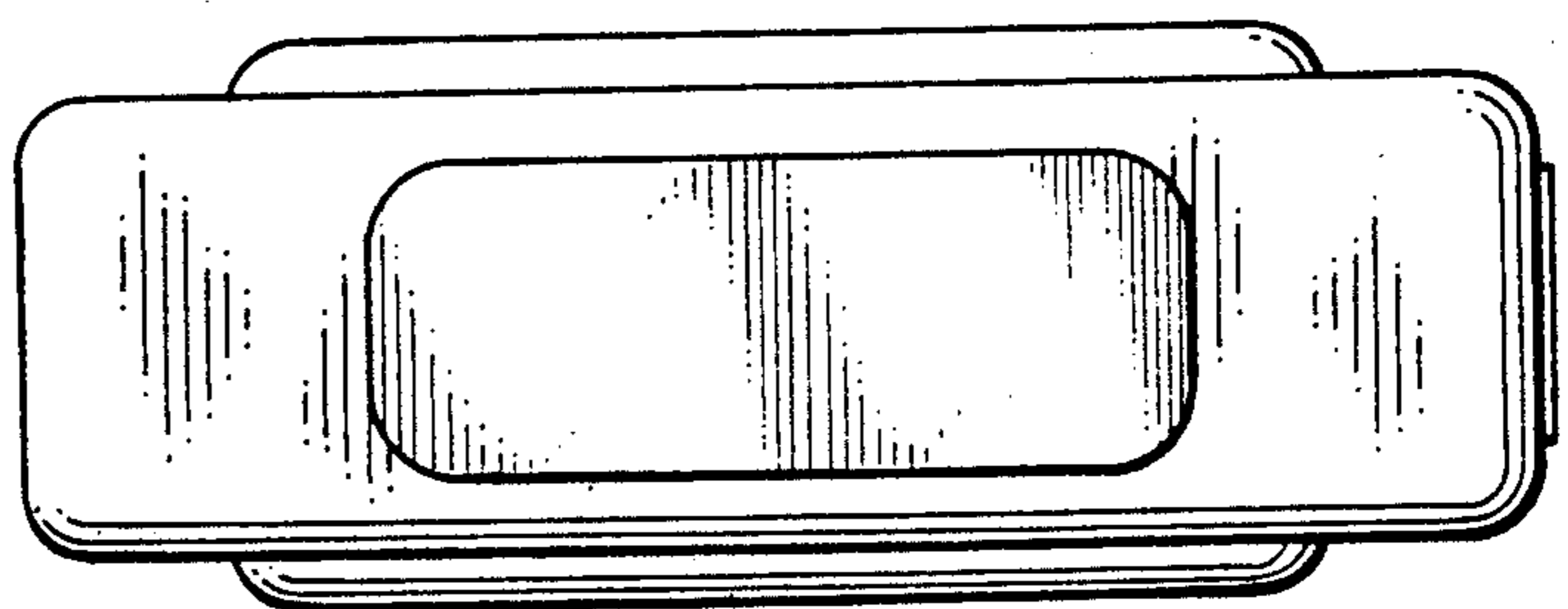


FIG.13

FIG.14



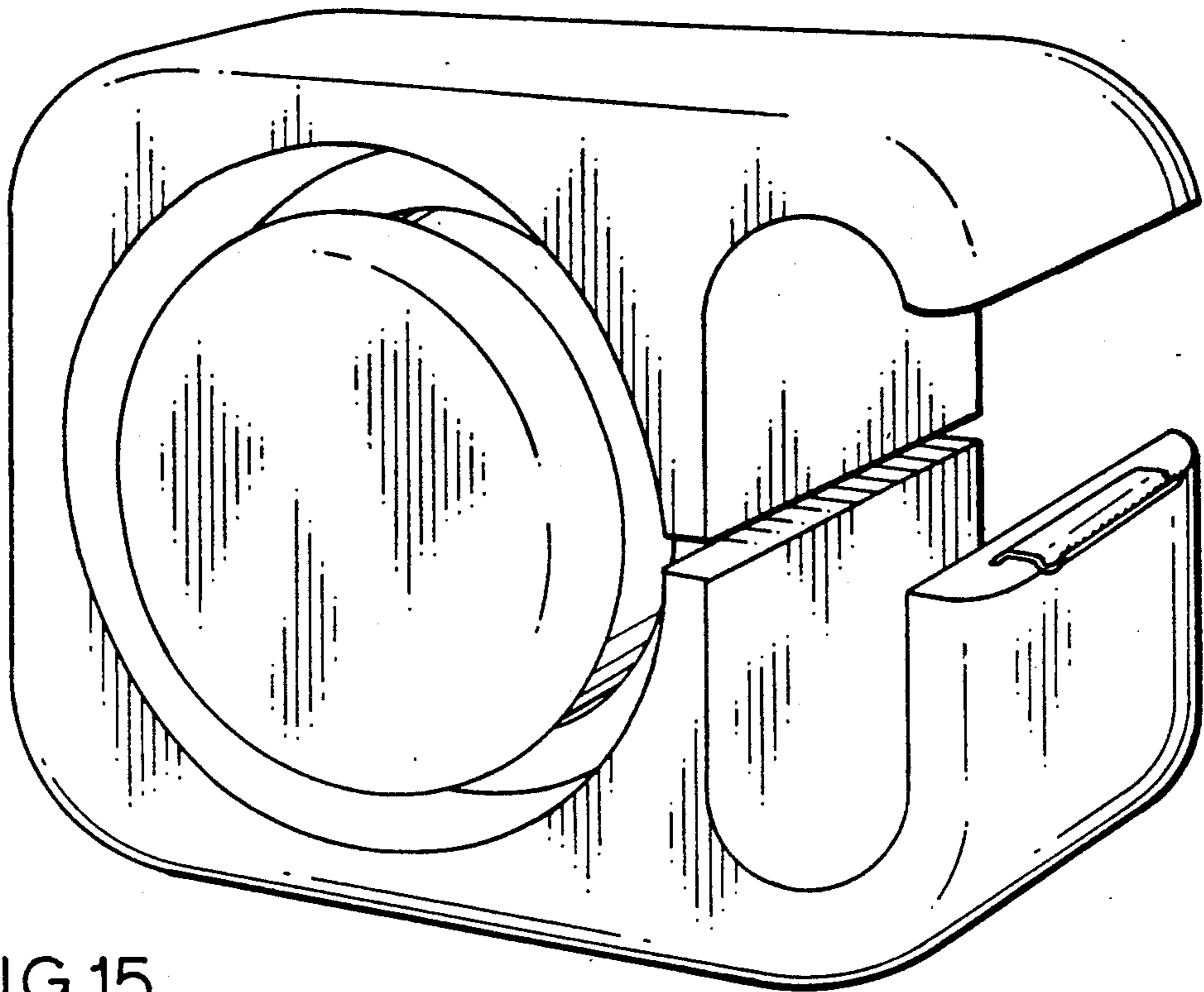


FIG.15

FIG.16

