

# United States Patent [19]

Tanda

[11] Patent Number: Des. 319,842

[45] Date of Patent: \*\* Sep. 10, 1991

[54] TONER CARTRIDGE FOR A PRINTER

[76] Inventor: Tetsuo Tanda, c/o Tokyo Yoga  
Office of Kyocera Corporation, of  
No. 14-9, 2-Chome, Tamagawadai,  
Setagaya-Ku, Tokyo, Japan

[\*\*] Term: 14 Years

[21] Appl. No.: 427,809

[22] Filed: Oct. 27, 1989

[30] Foreign Application Priority Data

Apr. 28, 1989 [JP] Japan ..... 1-16299  
[52] U.S. Cl. .... D18/43; D18/22  
[58] Field of Search ..... D18/22, 43; D9/306,  
D9/373, 385, 390, 393, 399, 401, 415, 418, 424,  
425, 432; 118/657; 141/1; 206/216, 316, 446,  
461, 467, 474, 495, 527, 532, 601, 628, 631, 633;  
222/166, 325, 240, 541, DIG. 1; 355/200, 244,  
245, 260, 298

[56] References Cited

U.S. PATENT DOCUMENTS

D. 238,658 2/1976 Stone ..... D18/43  
D. 298,255 10/1988 Hirata ..... D18/43

D. 313,616 1/1991 Tokuda ..... D18/43 X  
D. 314,212 1/1991 Komada et al. .... D18/43 X  
4,797,704 1/1989 Williams et al. .... 355/260  
4,961,088 10/1990 Gilliland et al. .... 355/260 X

FOREIGN PATENT DOCUMENTS

57-5447 2/1982 Japan .  
575447 8/1983 Japan .  
668118 9/1985 Japan .  
711660 5/1987 Japan .

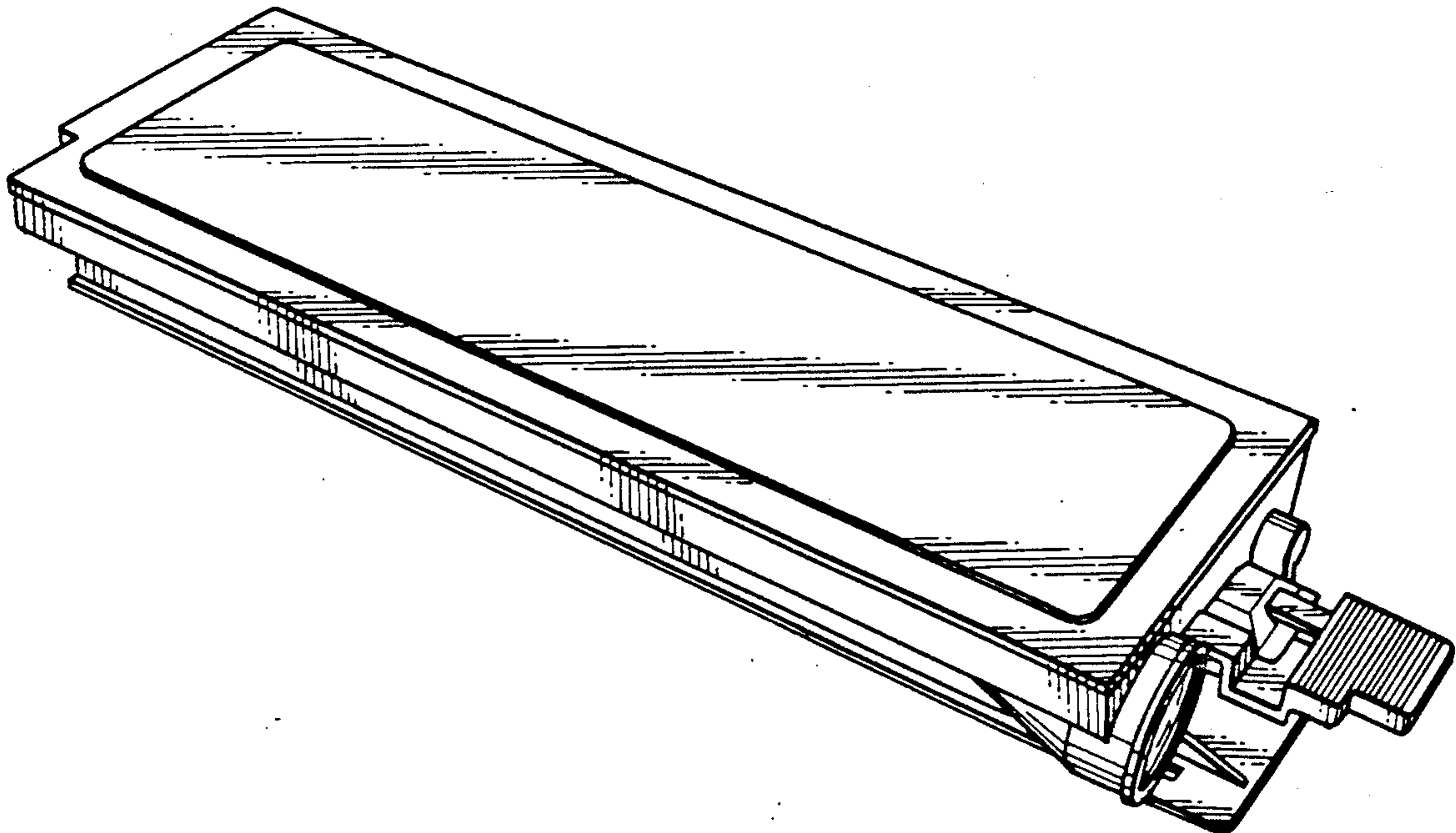
Primary Examiner—Nelson C. Holtje  
Assistant Examiner—Caron D. Veynar

[57] CLAIM

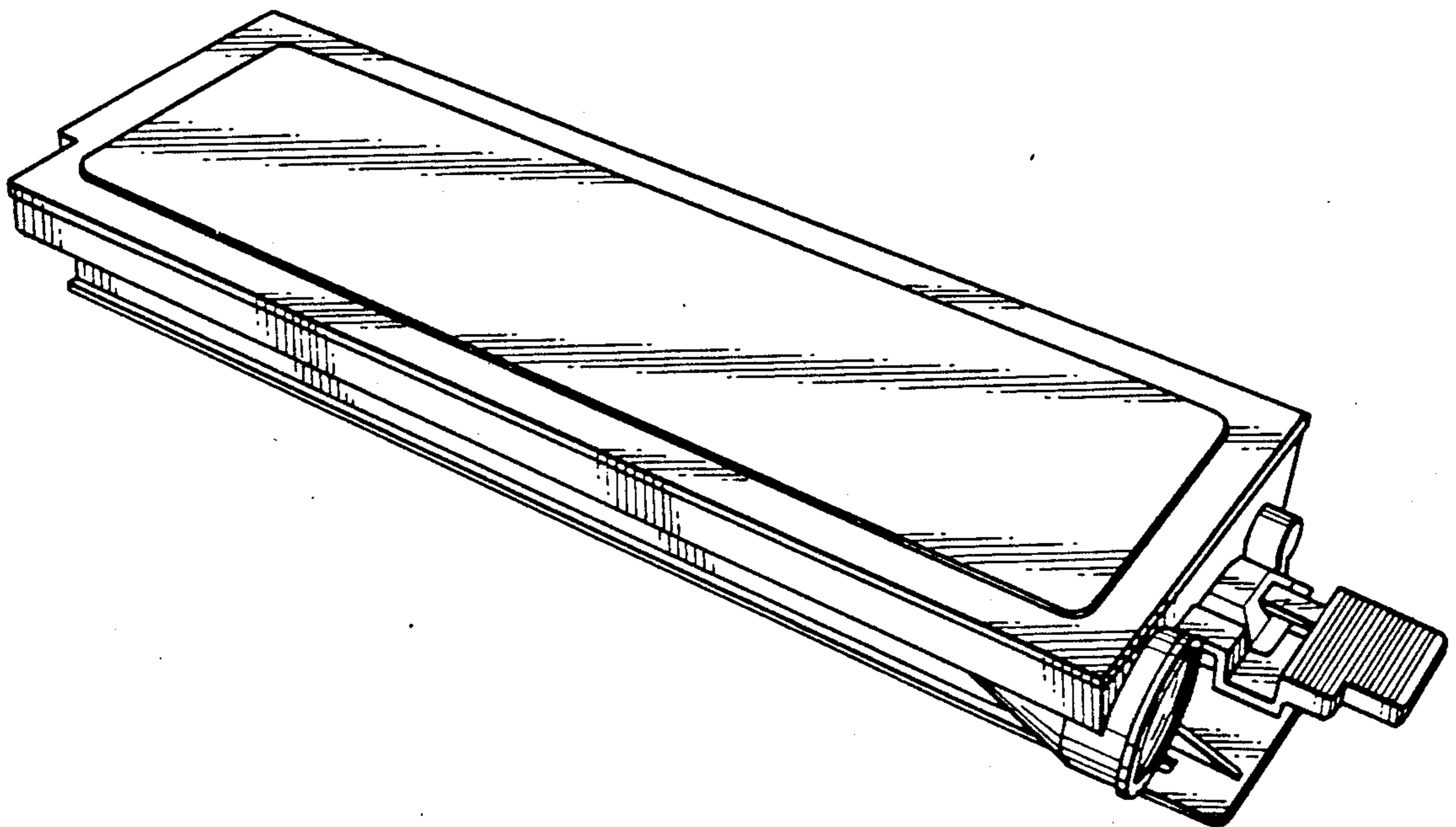
The ornamental design for a toner cartridge for a printer, as shown.

DESCRIPTION

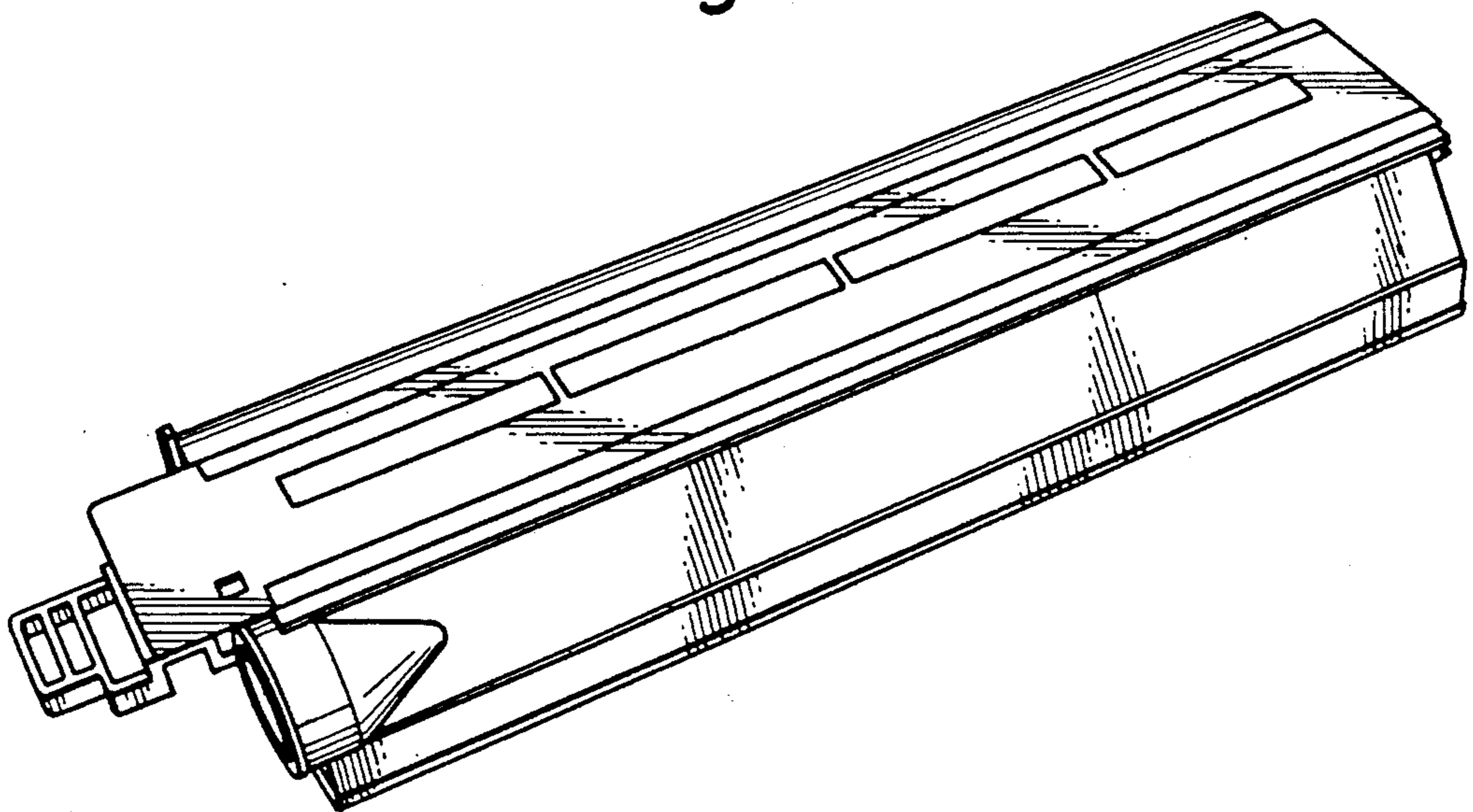
FIG. 1 is a top perspective view of a toner cartridge for a printer showing my new design;  
FIG. 2 is a bottom perspective view;  
FIG. 3 is a right side elevational view;  
FIG. 4 is a left side elevational view;  
FIG. 5 is a front elevational view;  
FIG. 6 is a rear elevational view;  
FIG. 7 is a top plan view; and  
FIG. 8 is a bottom plan view.



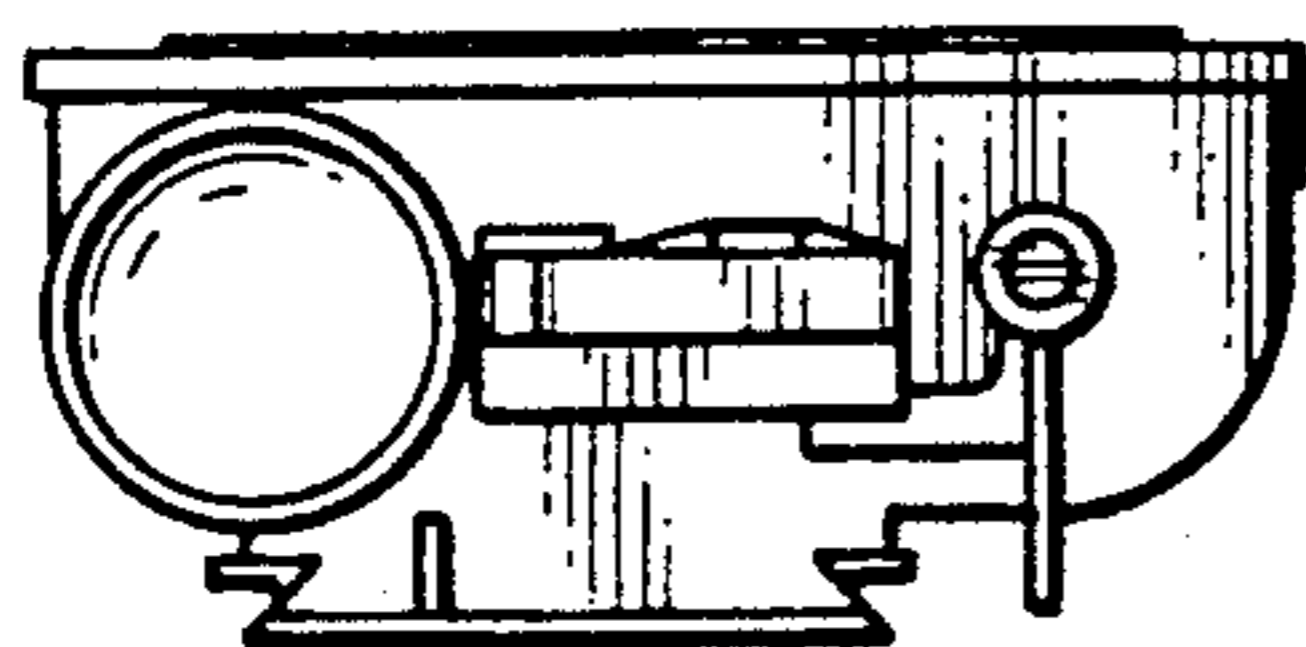
*Fig. 1*



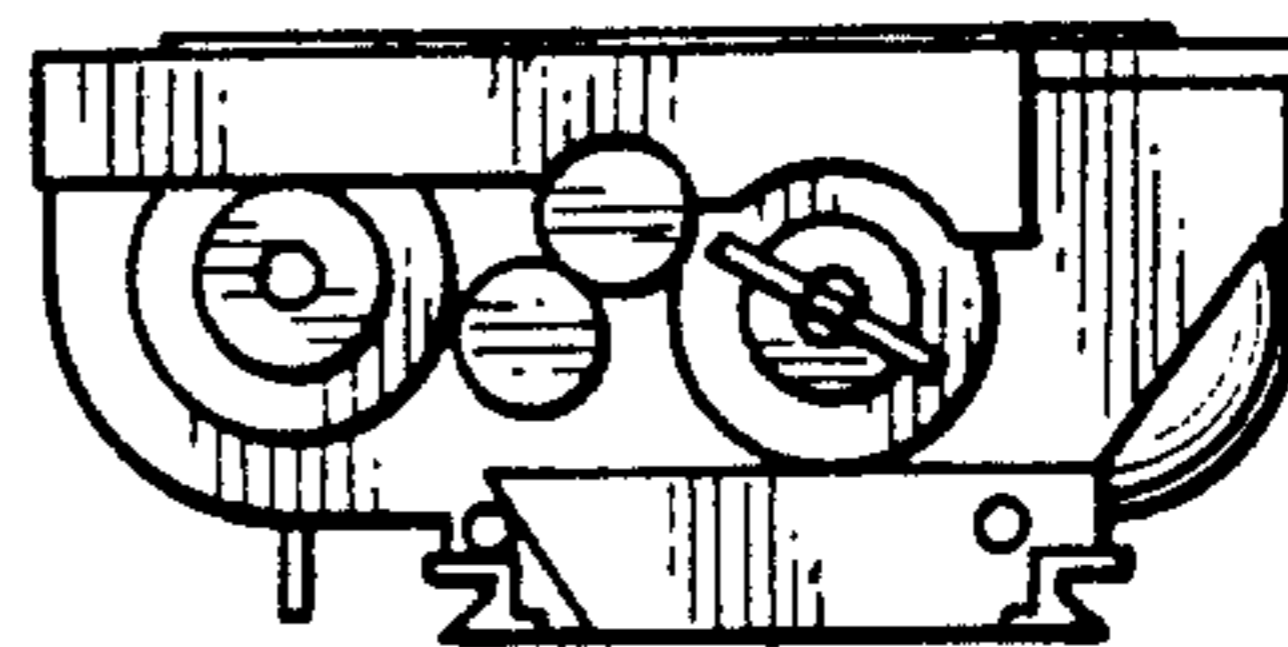
*Fig. 2*



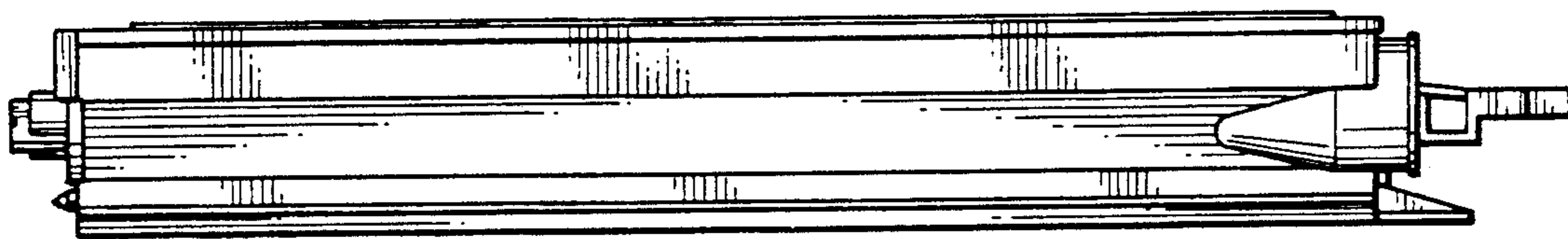
*Fig. 3*



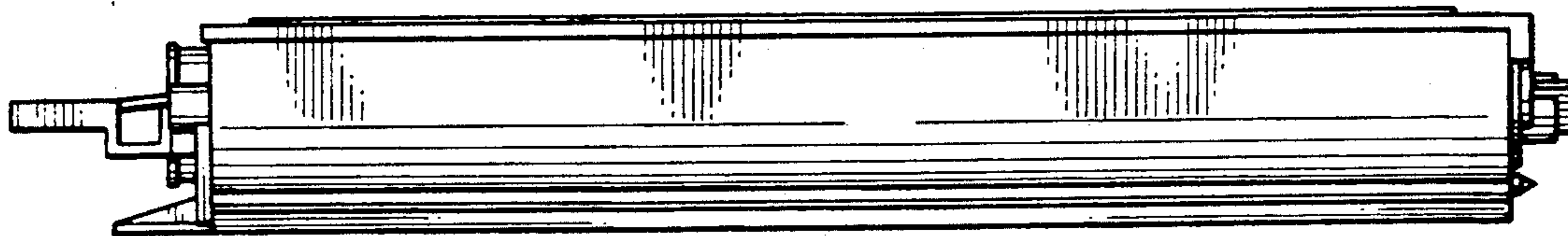
*Fig. 4*



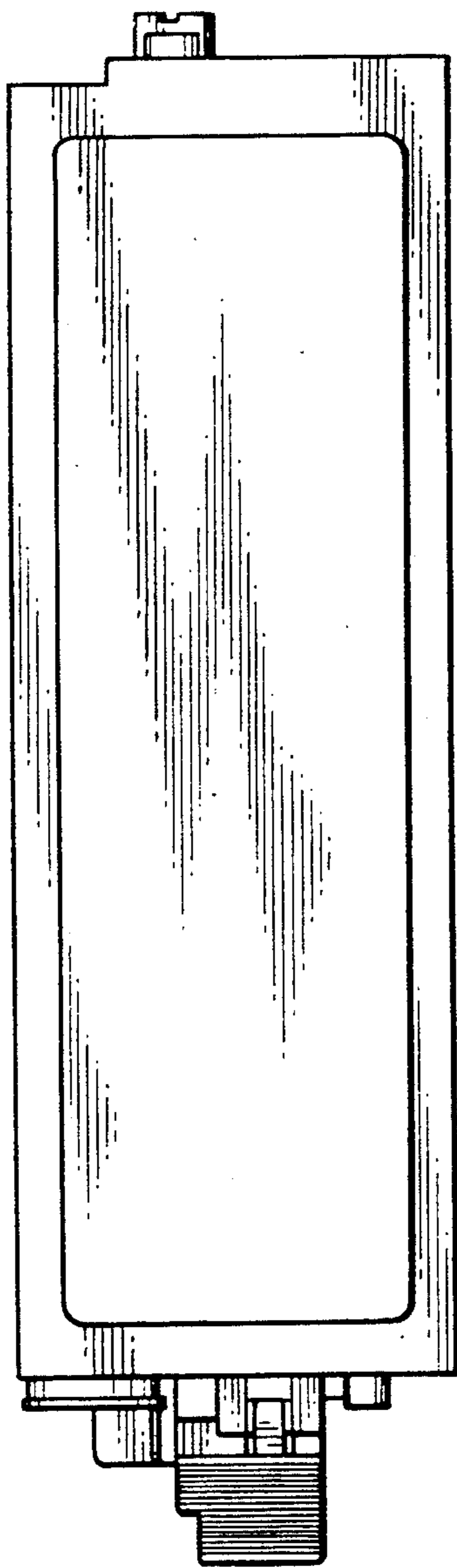
*Fig. 5*



*Fig. 6*



*Fig. 7*



*Fig. 8*

