

[54] TONER CARTRIDGE

[75] Inventors: Hideo Fukuda, Katano; Mikio Ido, Sakai; Naoki Motobayashi, Tondabayashi, all of Japan

[73] Assignee: Mita Industrial Co., Ltd., Osaka, Japan

[\*\*] Term: 14 Years

[21] Appl. No.: 372,785

[22] Filed: Jun. 27, 1989

[30] Foreign Application Priority Data

Feb. 27, 1989 [JP] Japan ..... 1-7244  
 Apr. 28, 1989 [JP] Japan ..... 1-16129

[52] U.S. Cl. .... D18/43

[58] Field of Search ..... D18/43, 22; D9/306, D9/349-353, 355, 362, 367, 370, 373, 385, 386, 389, 390, 393, 396, 399, 401, 415, 418, 424; 118/657; 114/1; 206/216, 316, 446, 461, 467, 474, 495, 527, 532, 601, 628, 631, 633; 222/166, 240, 325, 541, DIG. 1; 355/200, 244, 245, 260, 298

[56] References Cited

U.S. PATENT DOCUMENTS

D. 110,624 7/1938 Mekeel, Jr. .... D9/370  
 D. 113,416 2/1939 Barrett ..... D9/355  
 D. 171,578 3/1954 Brucker ..... D9/370  
 D. 286,297 10/1986 Clowe et al. .  
 D. 286,541 11/1986 Takahashi et al. .  
 D. 288,293 2/1988 Arvans ..... D9/355 X

D. 310,844 9/1990 Ohata ..... D18/43  
 D. 310,845 9/1990 Ohata ..... D18/43  
 4,851,873 7/1989 Sakao et al. .... 355/260 X  
 4,862,226 8/1989 Imaizumi et al. .... 222/DIG. 1 X

Primary Examiner—Nelson C. Holtje  
 Assistant Examiner—Caron D. Veynar  
 Attorney, Agent, or Firm—Jordan and Hamburg

[57] CLAIM

The ornamental design for a toner cartridge, as shown and described.

DESCRIPTION

FIG. 1 is a front elevational view of a toner cartridge showing our new design;  
 FIG. 2 is a rear elevational view;  
 FIG. 3 is a top plan view;  
 FIG. 4 is a bottom plan view;  
 FIG. 5 is a left side elevational view;  
 FIG. 6 is a right side elevational view;  
 FIG. 7 is a cross sectional view taken along line 1—1 in FIG. 3;  
 FIG. 8 is a right, front and top perspective view;  
 FIG. 9 is a front elevational view of a second embodiment of our new design of FIGS. 1-8;  
 FIG. 10 is a rear elevational view;  
 FIG. 11 is a top plan view;  
 FIG. 12 is a bottom plan view;  
 FIG. 13 is a left side elevational view;  
 FIG. 14 is a right side elevational view;  
 FIG. 15 is a cross sectional view taken along line 2—2 in FIG. 11; and  
 FIG. 16 is a right, front and top perspective view thereof.

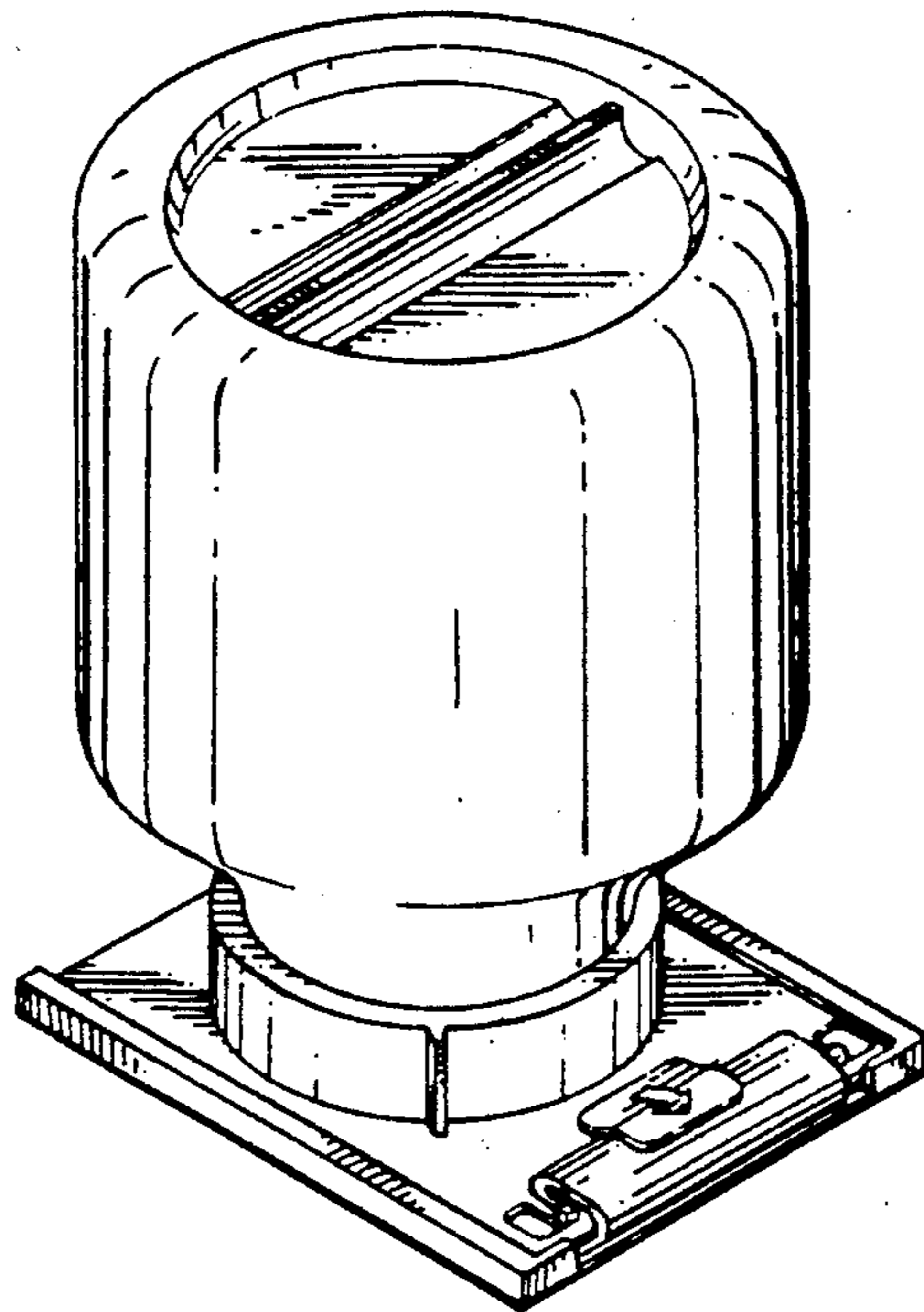


FIG. 1

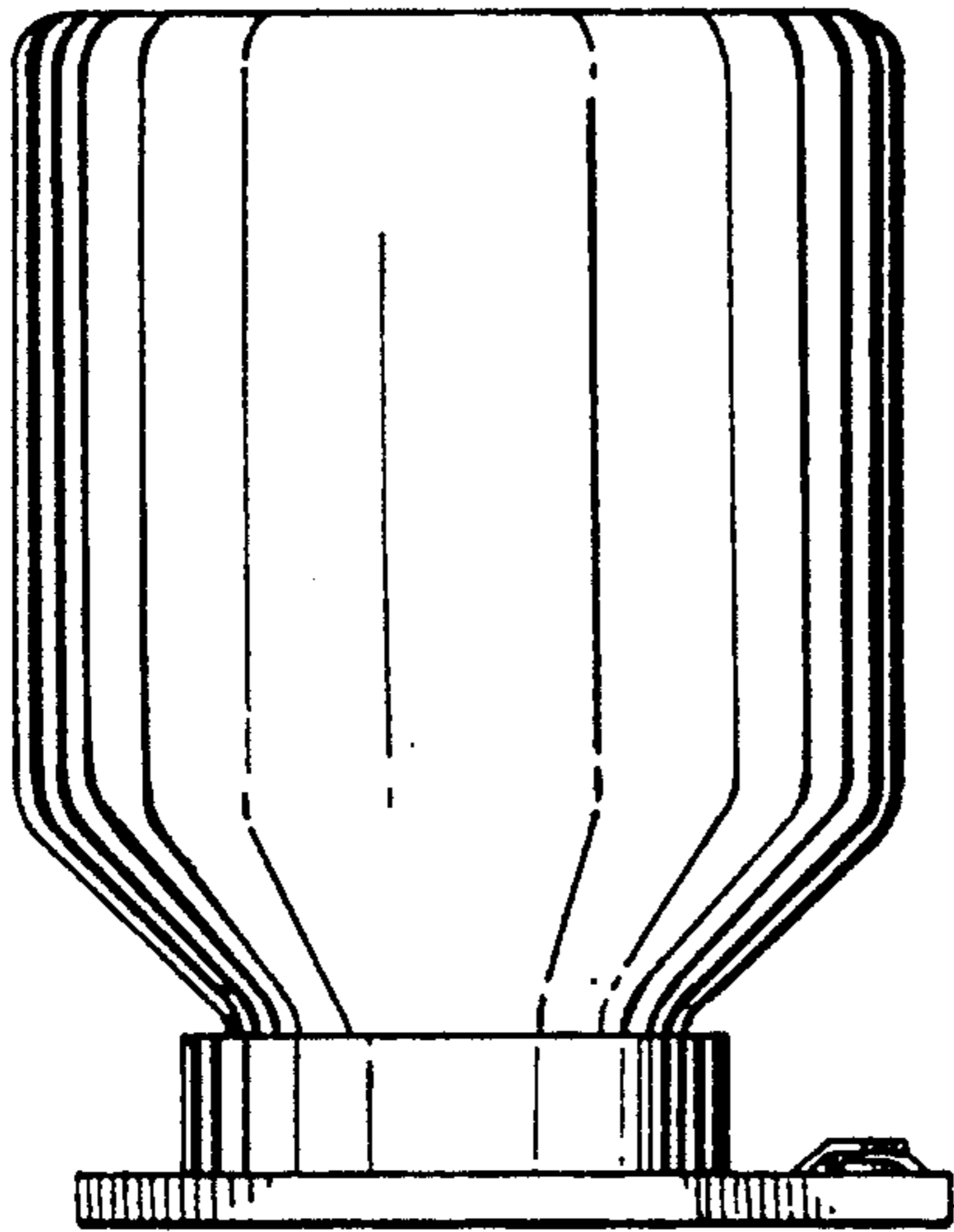


FIG. 2

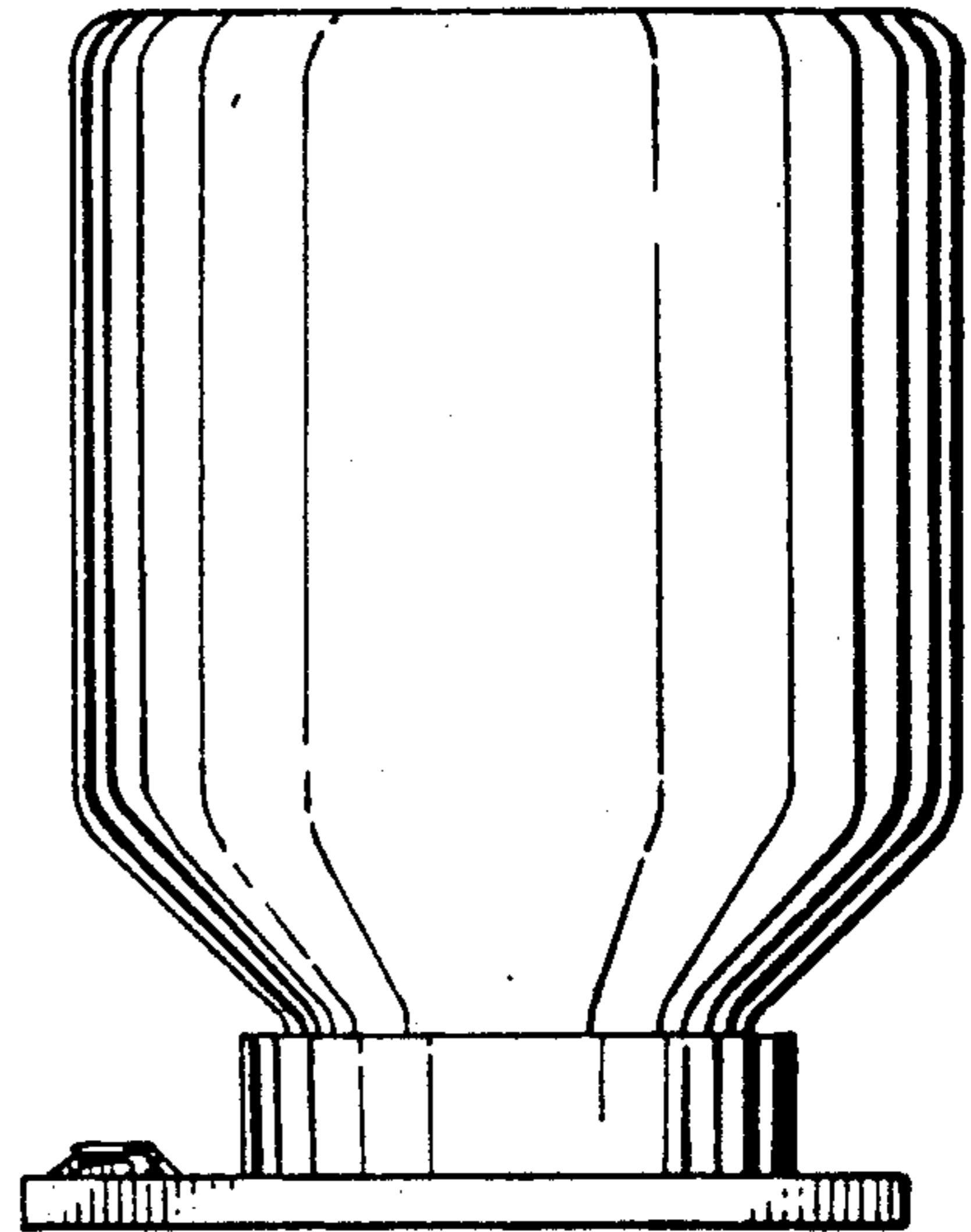


FIG. 3

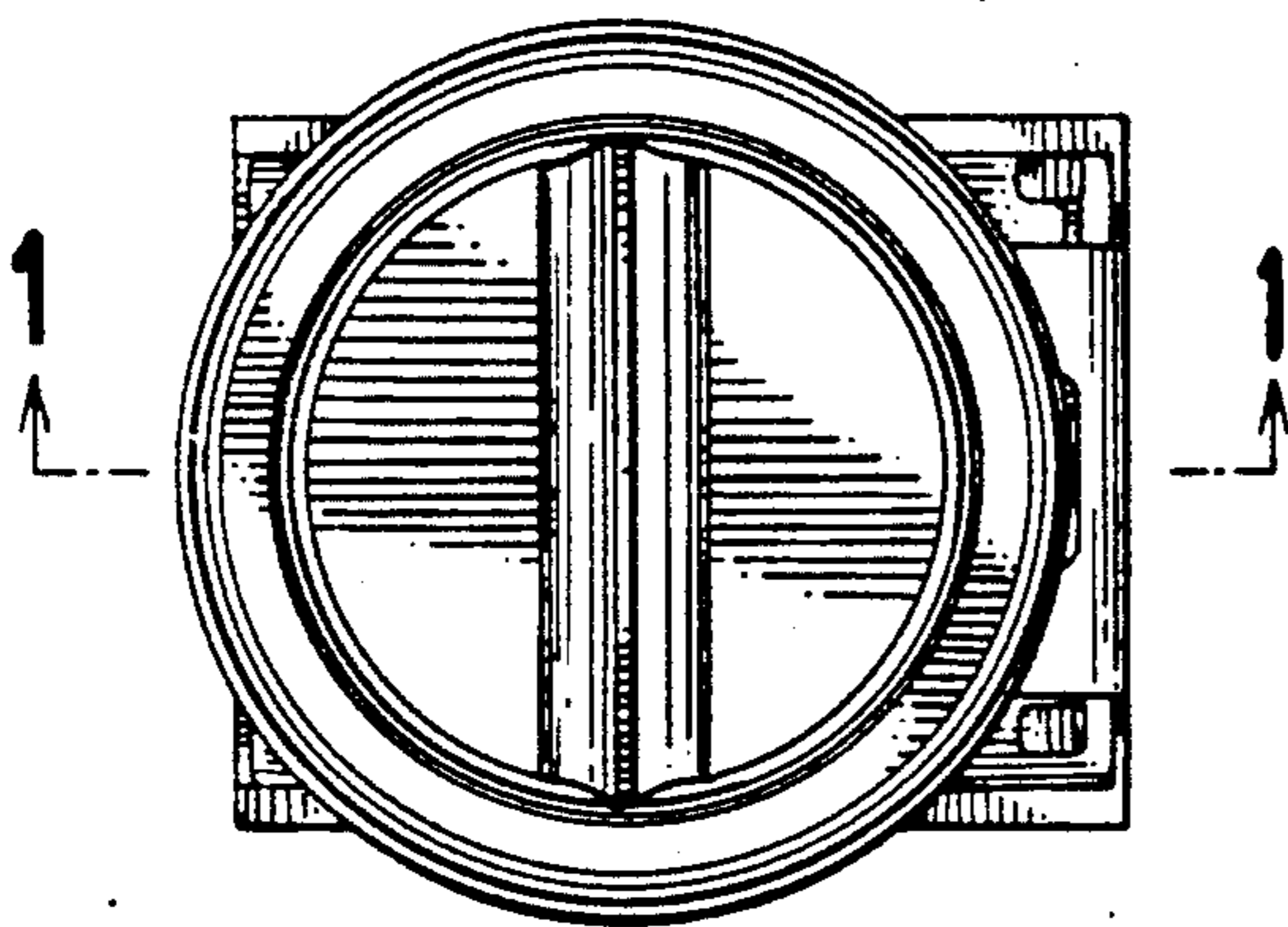


FIG. 4

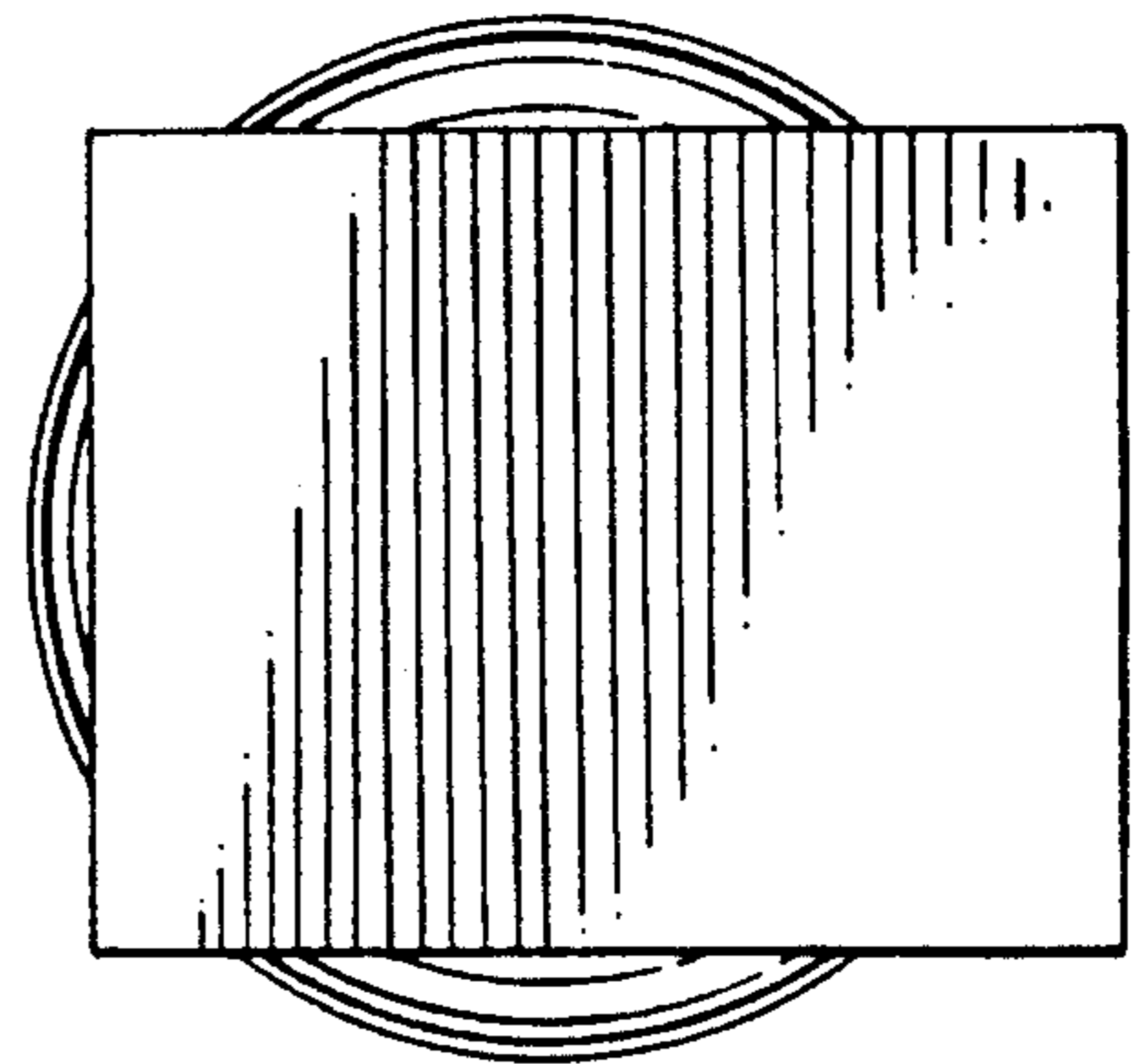


FIG. 5

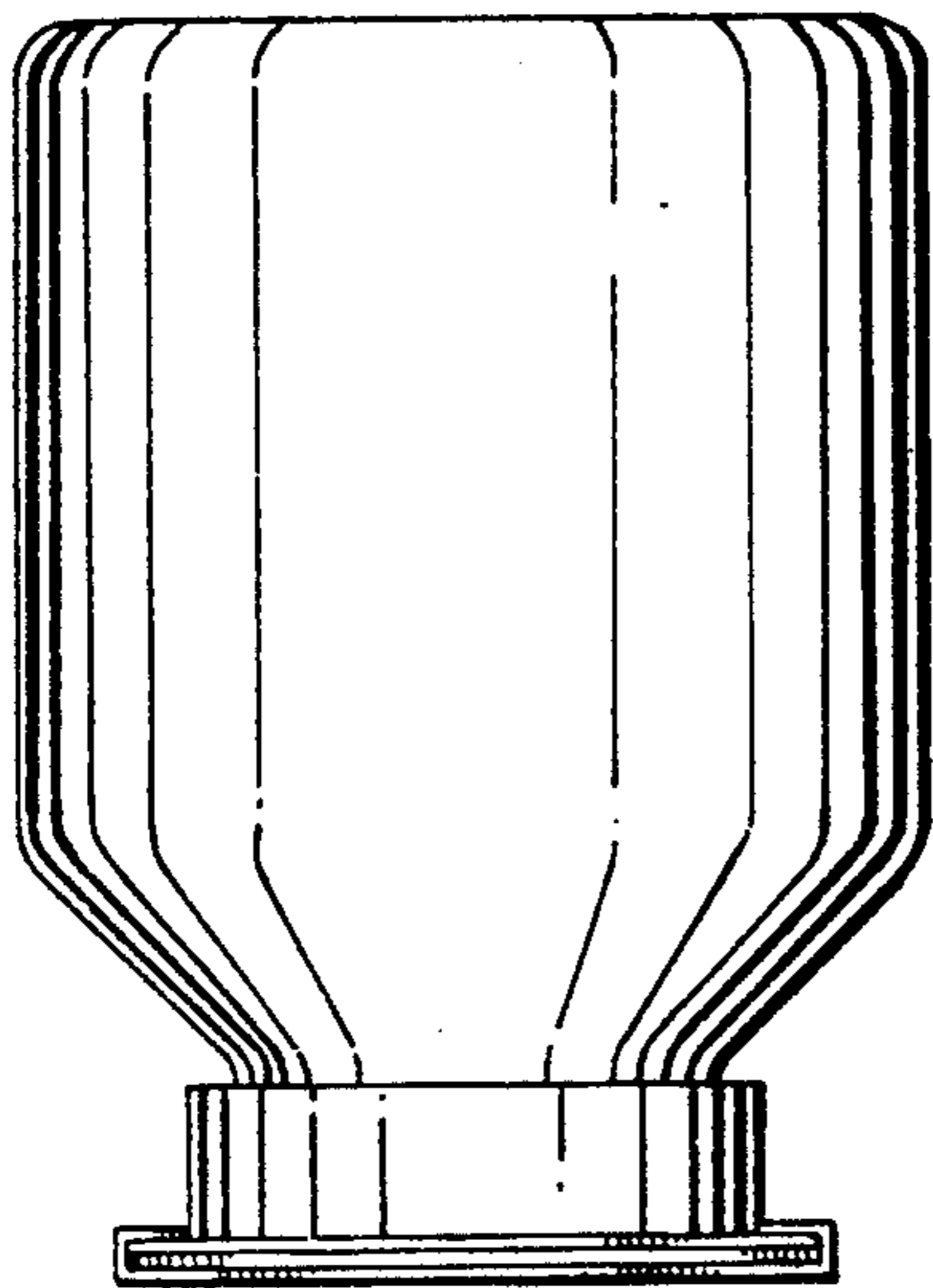


FIG. 6

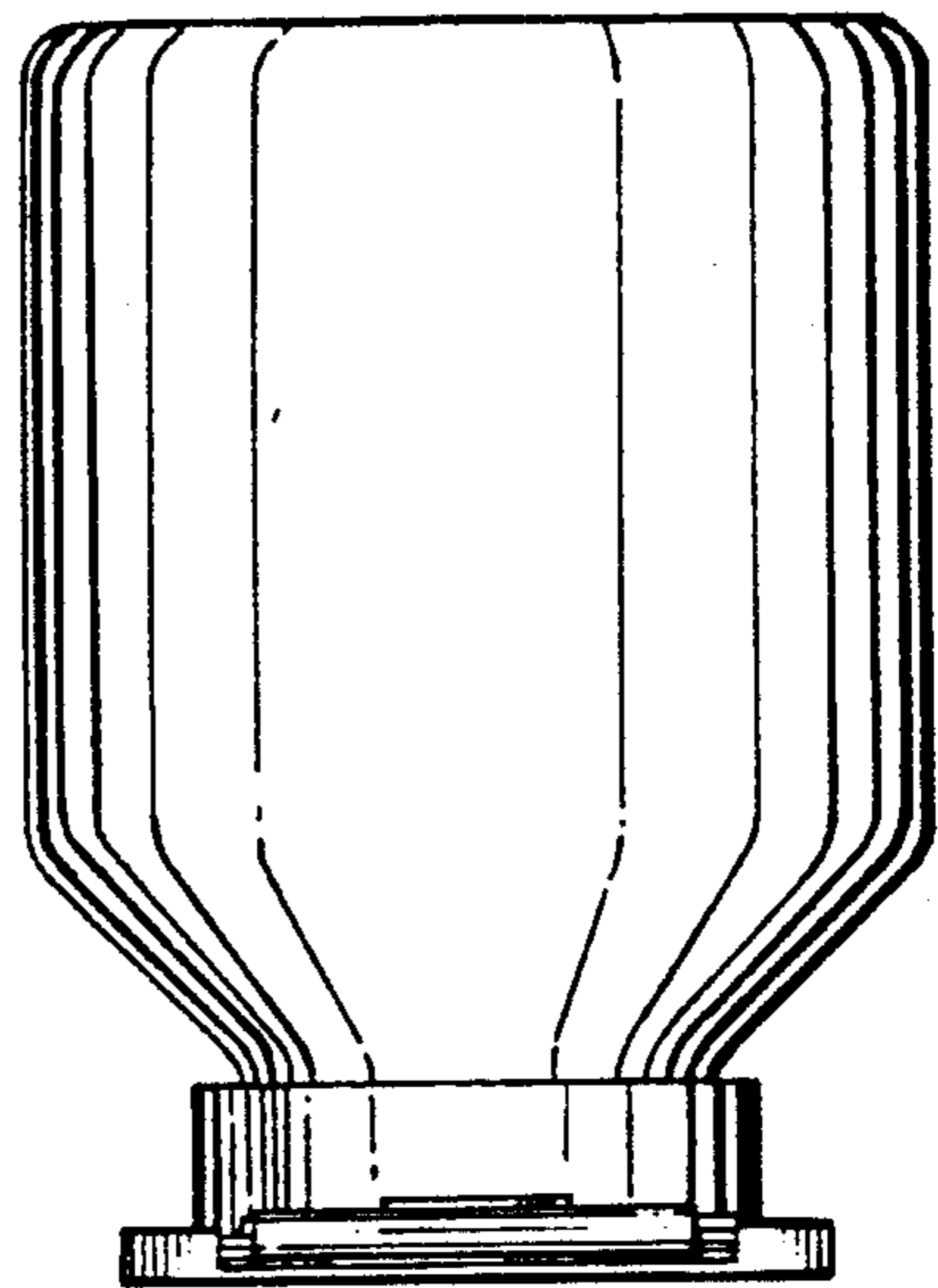


FIG. 7

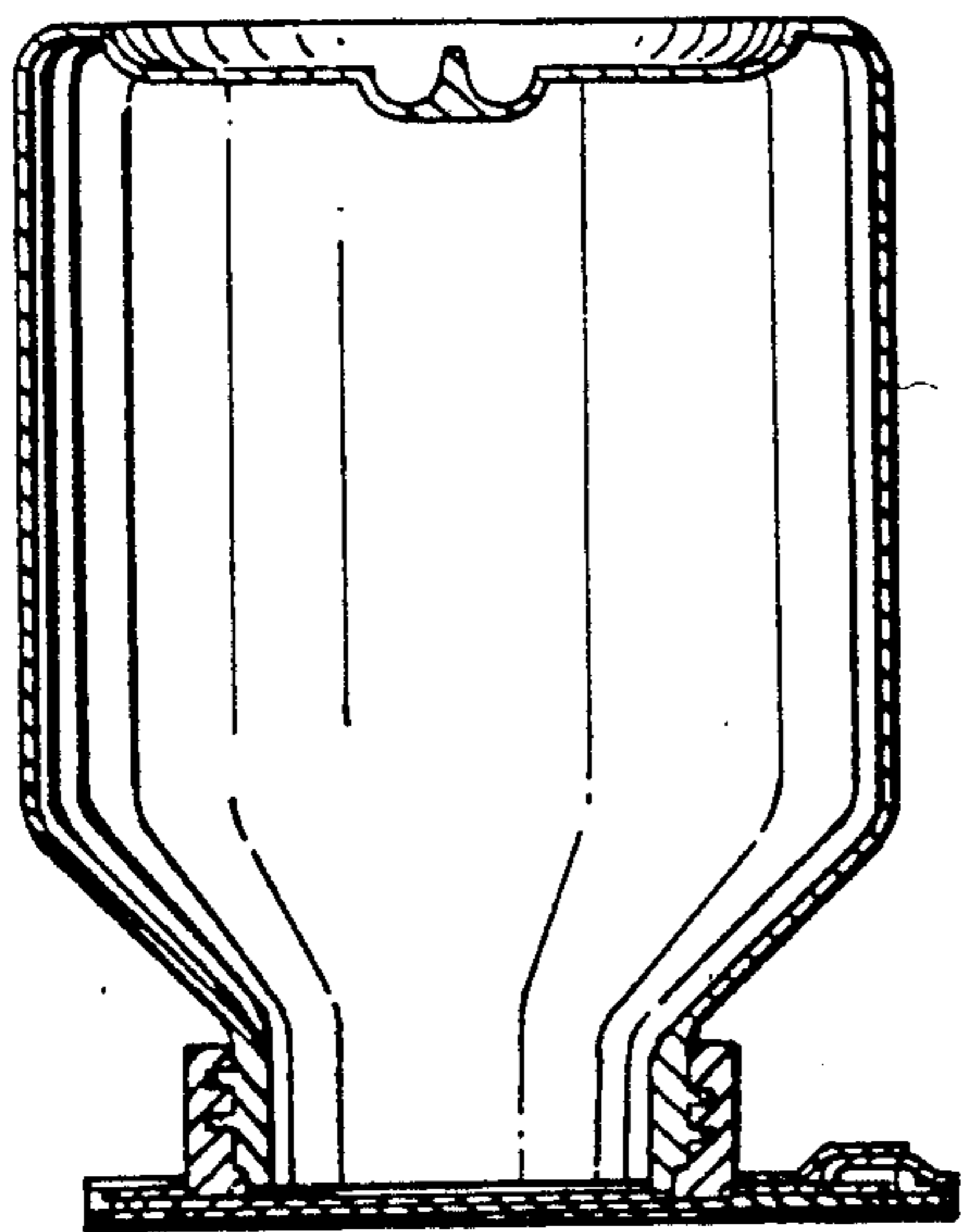


FIG. 8

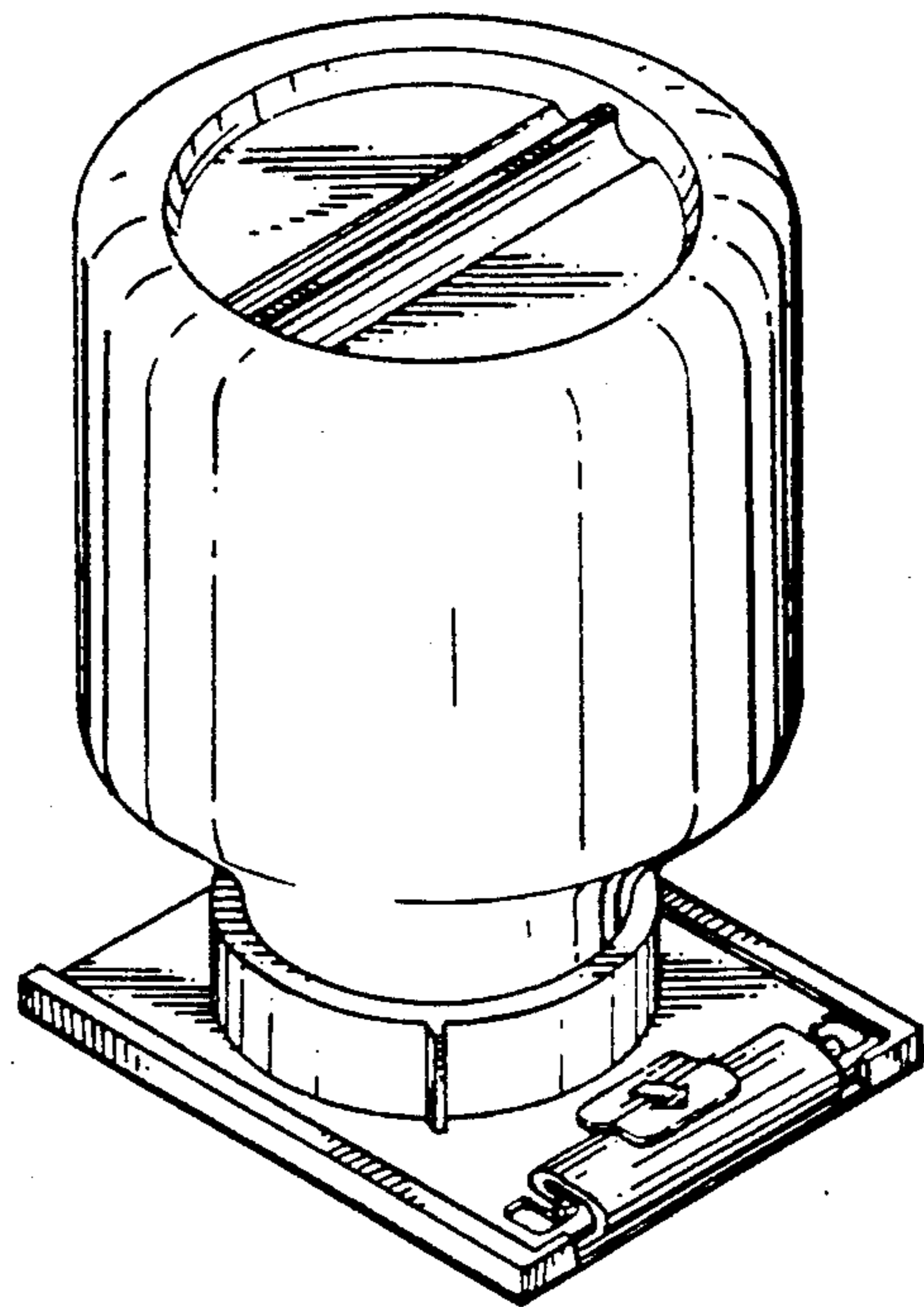


FIG. 9

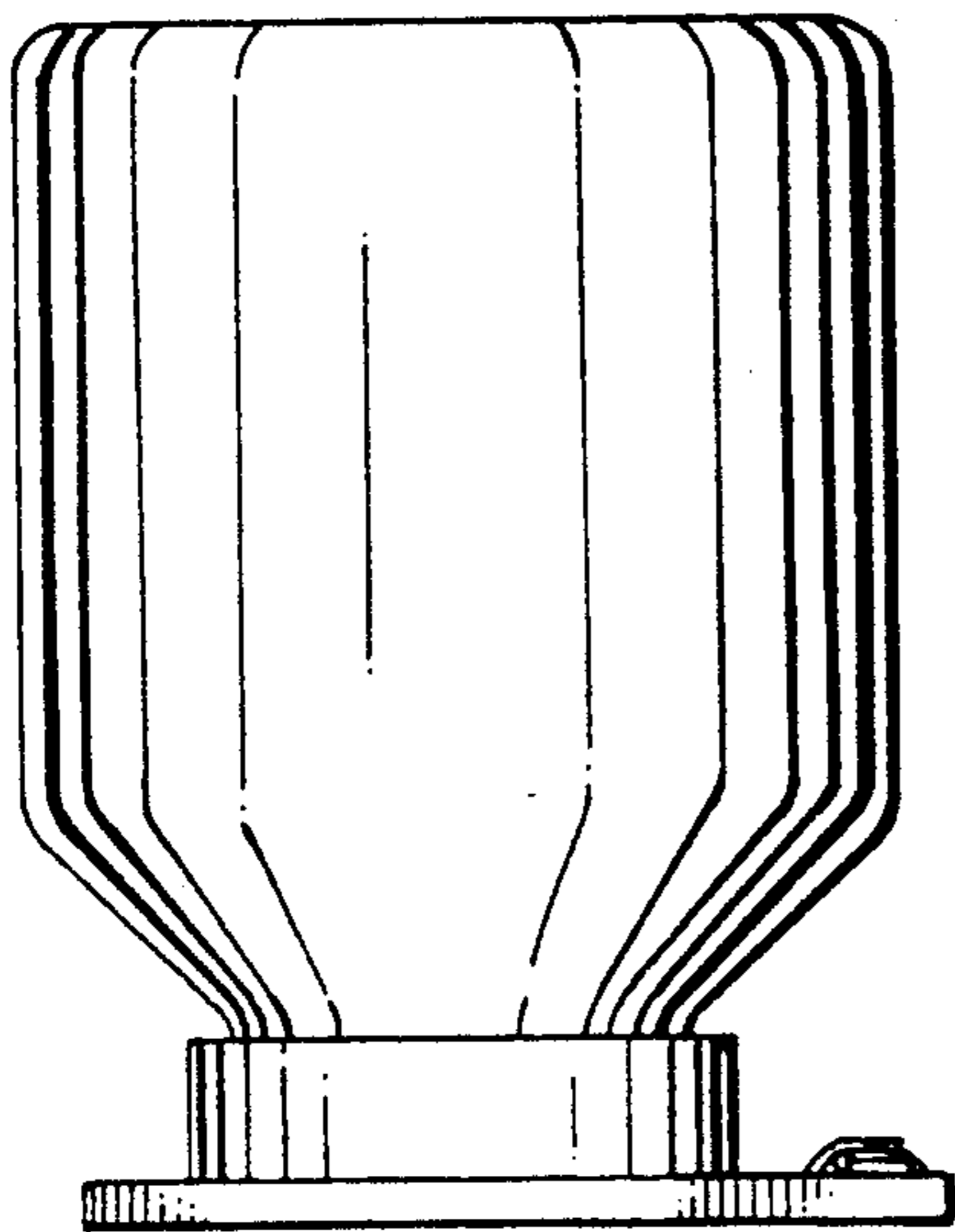


FIG. 10

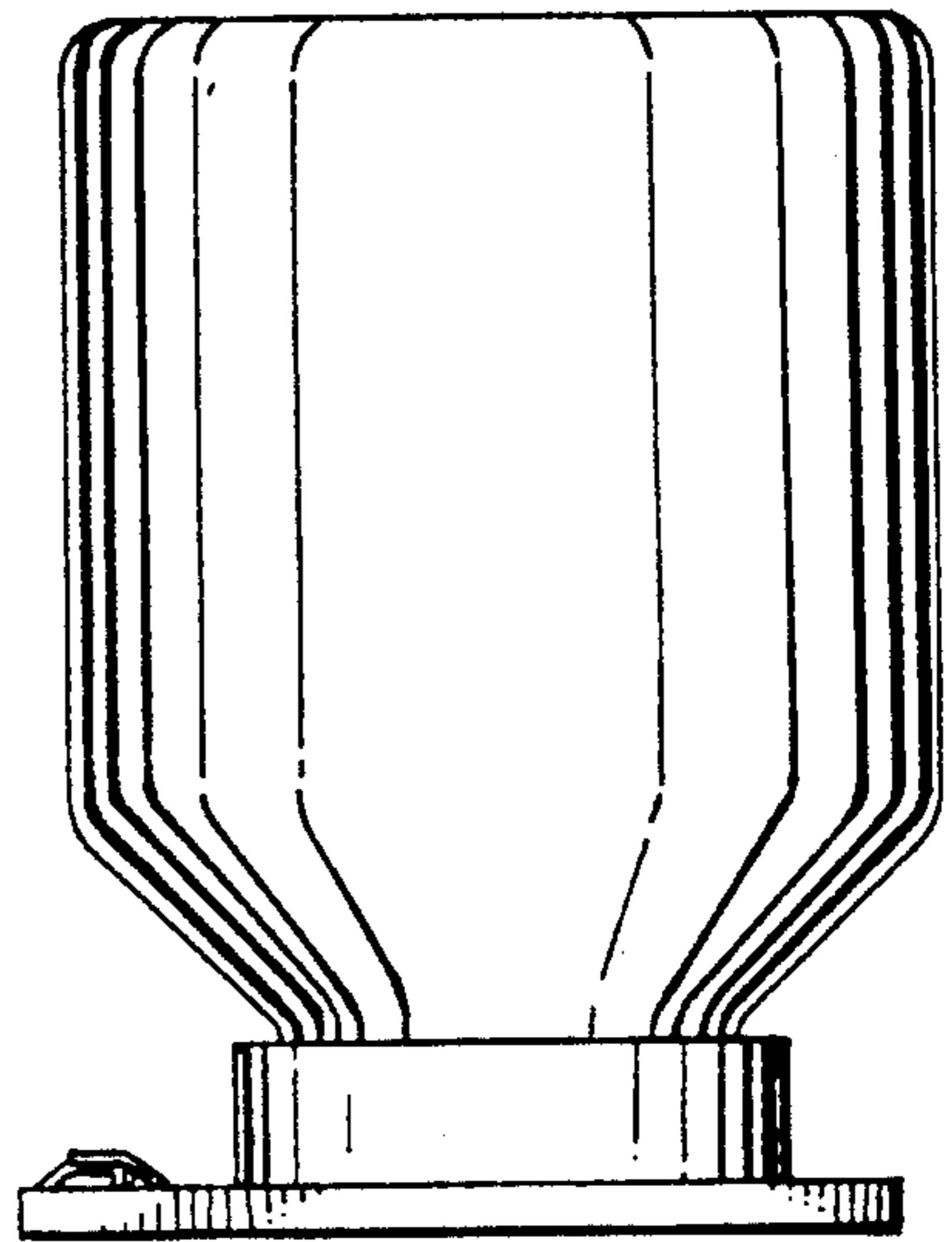


FIG. 11

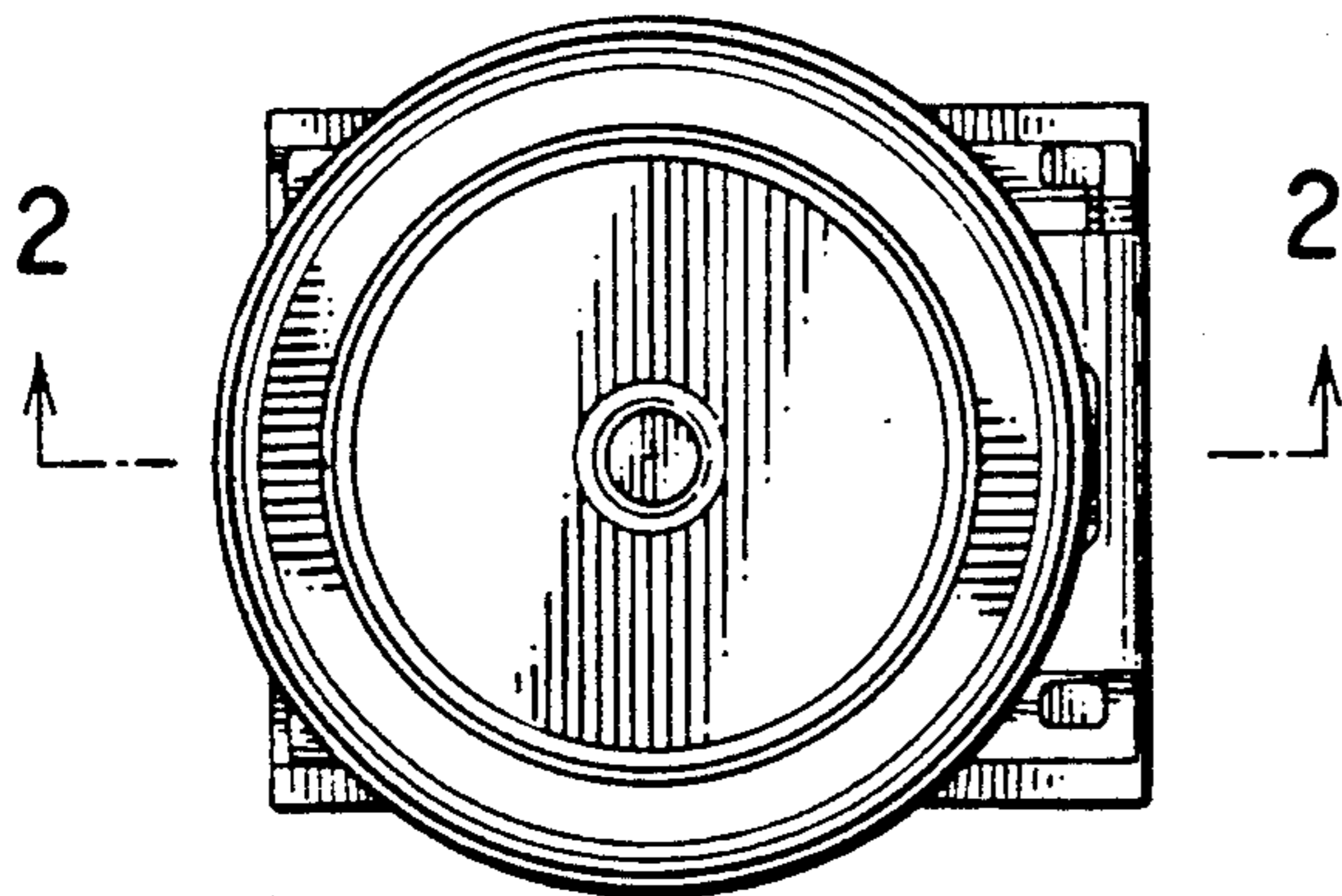


FIG. 12

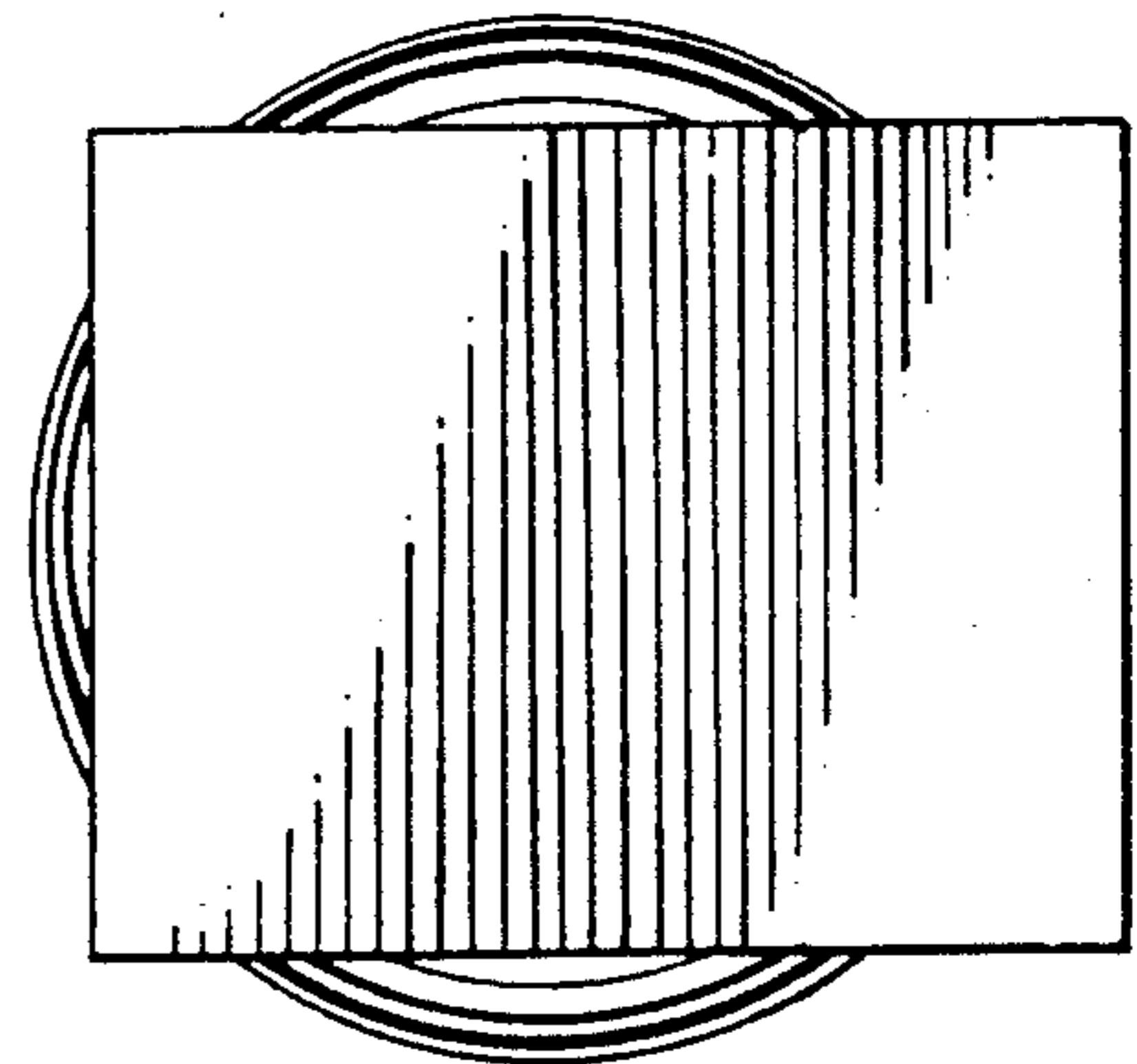


FIG. 13

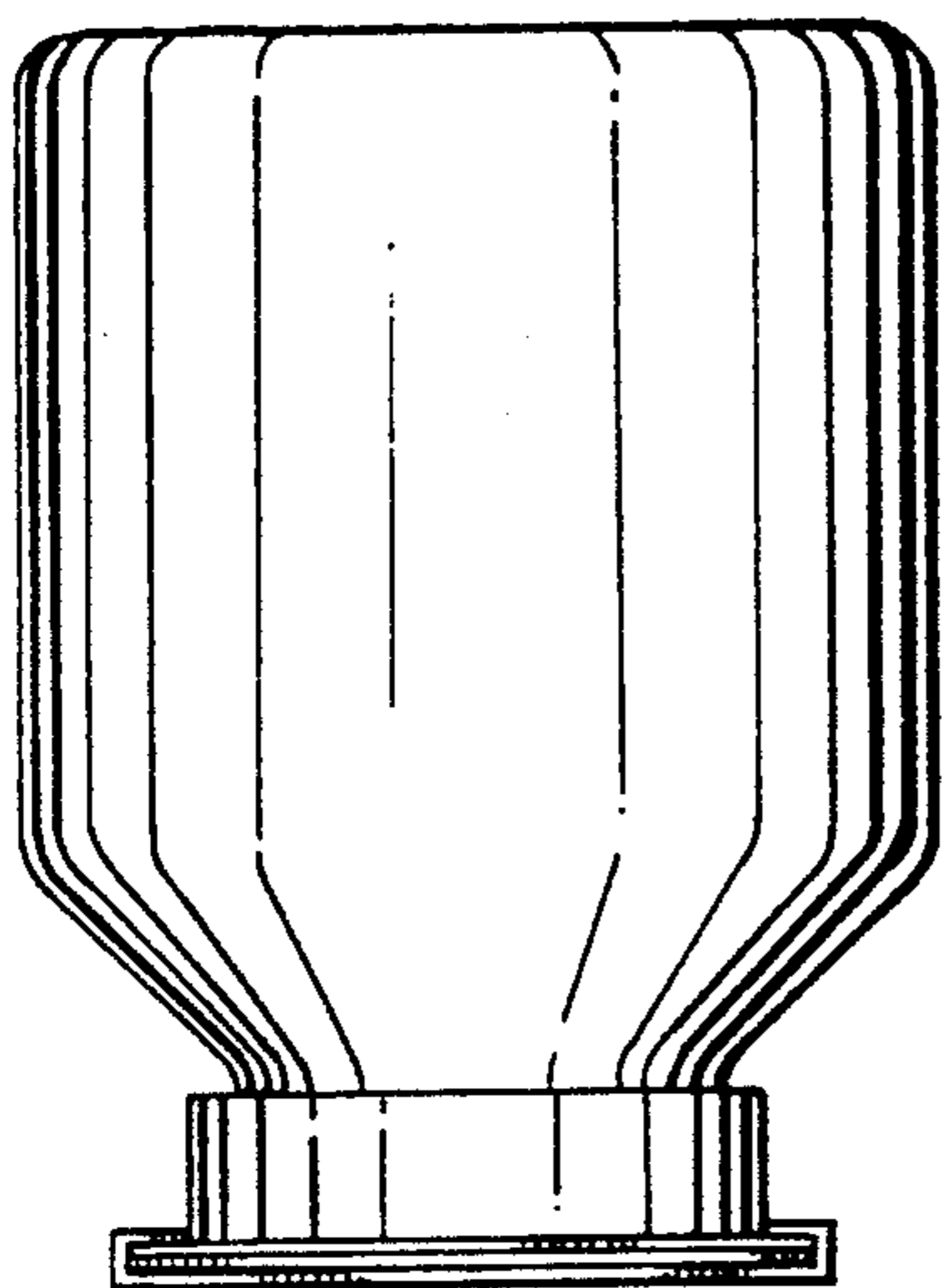


FIG. 14

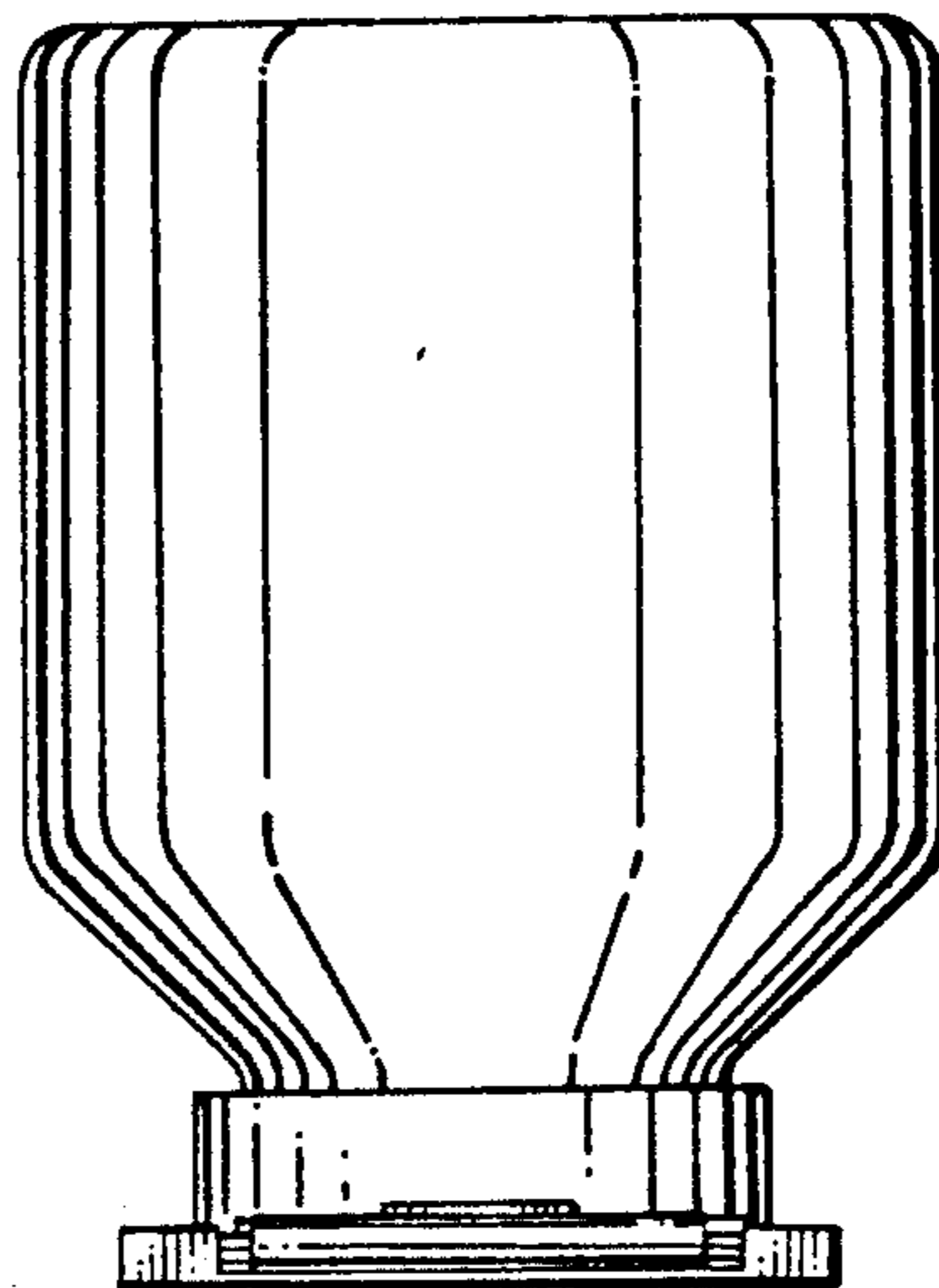


FIG. 15

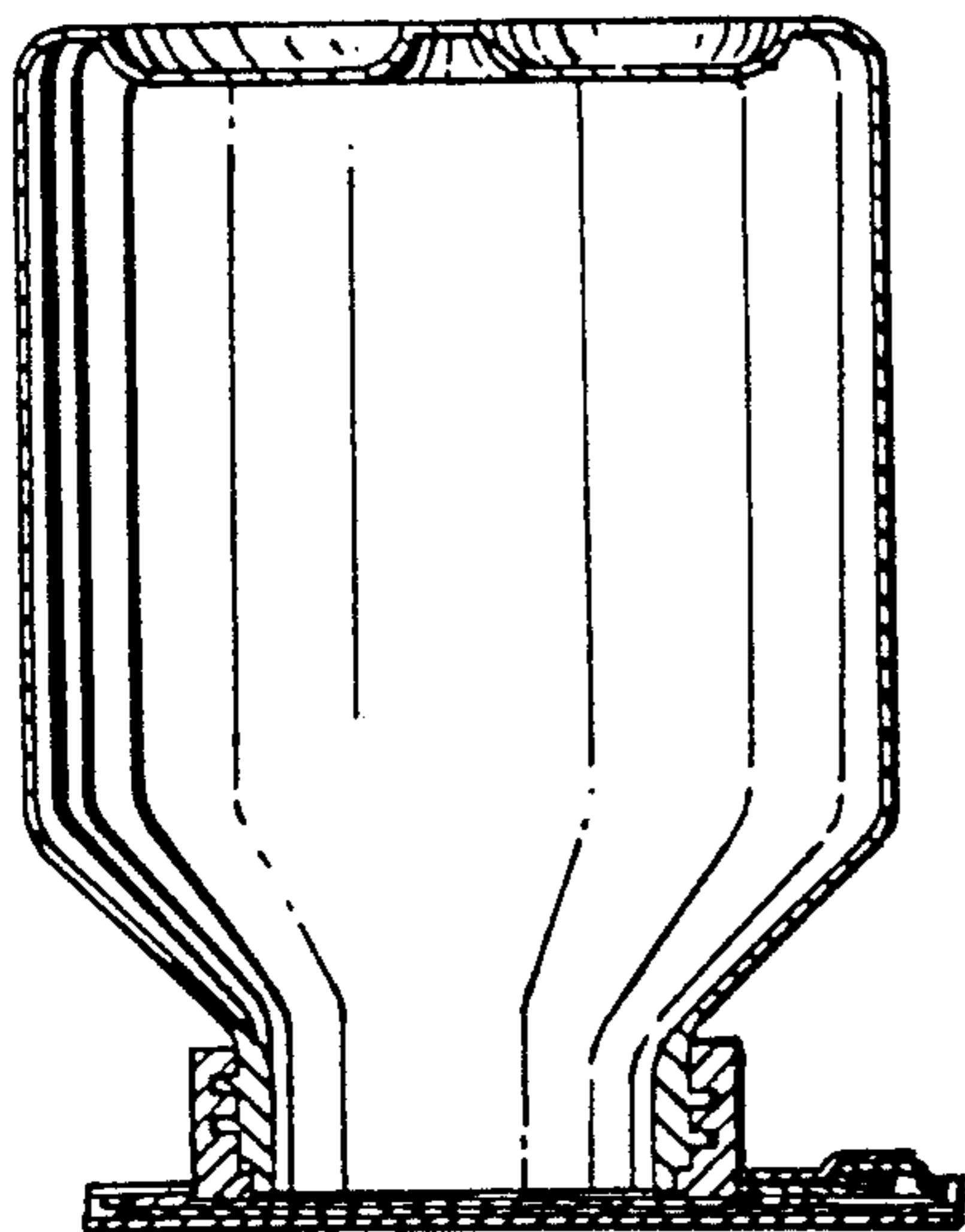


FIG. 16

