

United States Patent [19]

Hatsumi et al.

[11] Patent Number: **Des. 319,840**

[45] Date of Patent: **** Sep. 10, 1991**

[54] **PAPER CUTTER**

[75] Inventors: **Minoru Hatsumi, Tokyo; Yasuhiko Nakamura, Abiko, both of Japan**

[73] Assignee: **Maruzen Kabushiki Kaisha, Tokyo, Japan**

[**] Term: **14 Years**

[21] Appl. No.: **544,857**

[22] Filed: **Jun. 27, 1990**

[30] **Foreign Application Priority Data**

Jan. 8, 1990 [JP] Japan 2-406

[52] U.S. Cl. **D18/34**

[58] Field of Search D18/34, 99; 83/564, 83/167, 468, 585, 607, 609, 635, 636, 614, 455, 456, 462, 465, 468.2, 468.5, 468.6, 468.7; 225/1

[56] **References Cited**

U.S. PATENT DOCUMENTS

D. 280,904 10/1985 Kruse et al. D18/34
2,790,498 4/1957 Carscallen 83/462
4,529,113 7/1985 Elliott 255/1
4,871,156 10/1989 Kozyrski et al. 83/614

4,941,380 7/1990 Lockwood 83/455
4,951,539 8/1990 Buckner 83/564
4,967,628 11/1990 Judd et al. 83/636

Primary Examiner—James R. Largen
Assistant Examiner—Cathy Anne MacCormac
Attorney, Agent, or Firm—Morrison Law Firm

[57] **CLAIM**

The ornamental design for a paper cutter, as shown and described.

DESCRIPTION

FIG. 1 is a perspective view of a paper cutter showing my new design;
FIG. 2 is a front elevational view thereof;
FIG. 3 is a rear elevational view thereof;
FIG. 4 is a left side elevational view thereof;
FIG. 5 is a right side elevational view thereof;
FIG. 6 is a top plan view thereof;
FIG. 7 is a bottom plan view thereof;
FIG. 8 is another perspective view thereof;
FIG. 9 is a third perspective view with the paper guide in stored position; and
FIG. 10 is a fourth perspective view thereof.
The broken lines in FIG. 10 are for purposes of illustration and form no part of the claimed design.

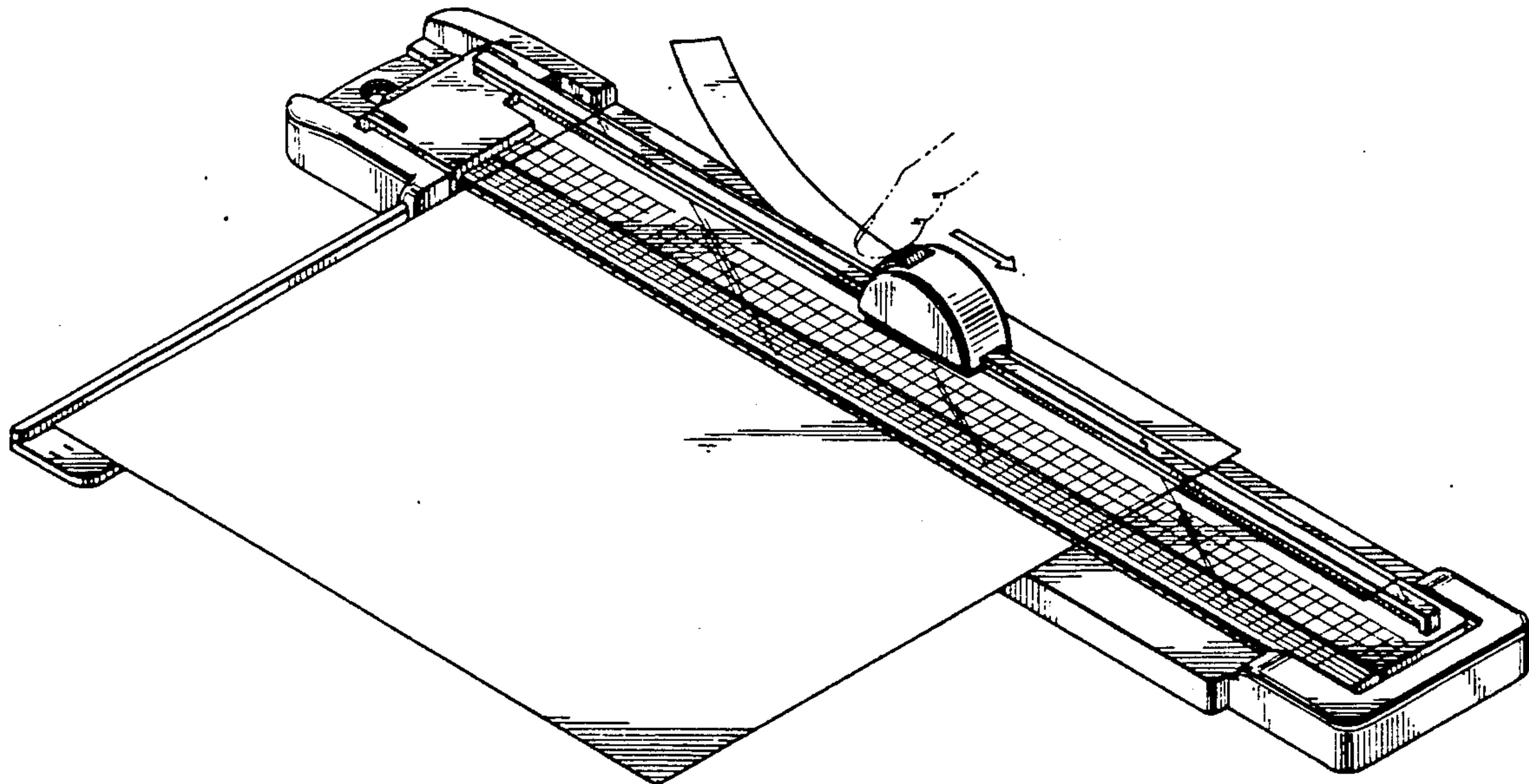


FIG. 1

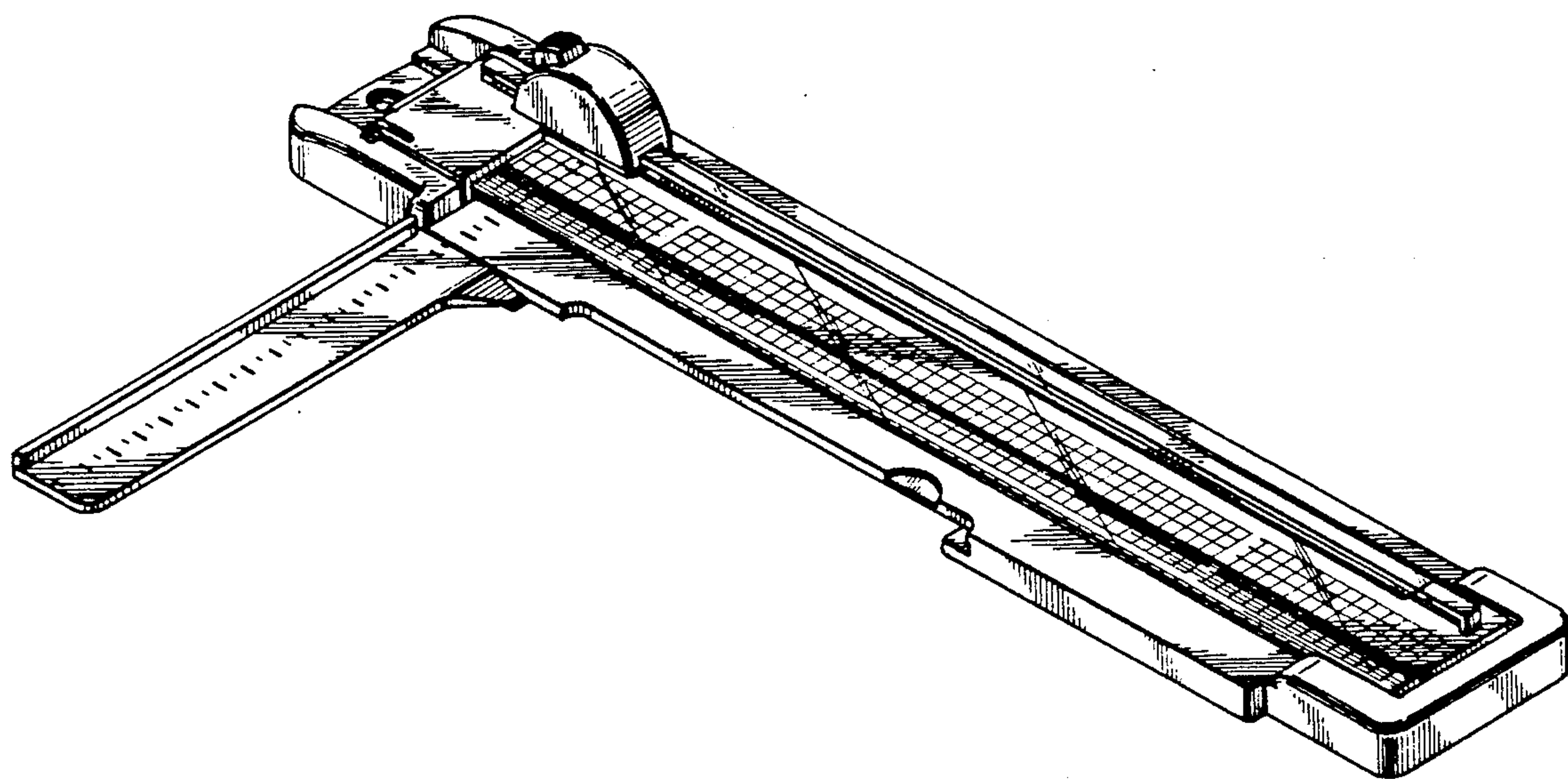


FIG. 2

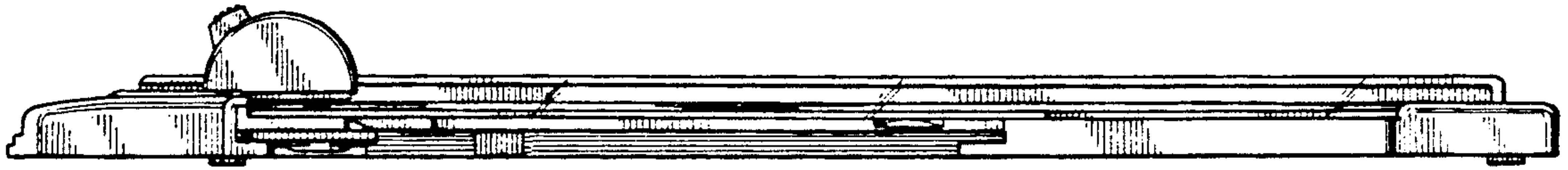


FIG. 3

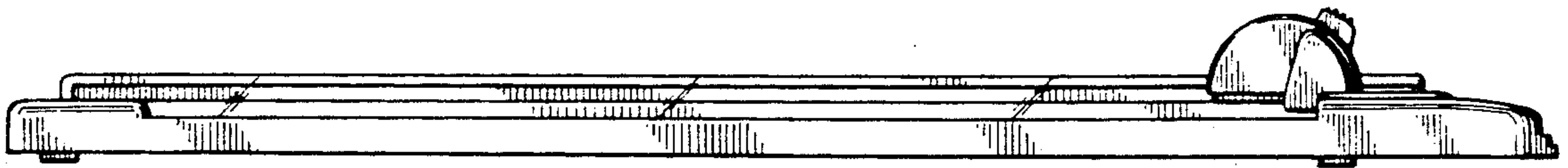


FIG. 4

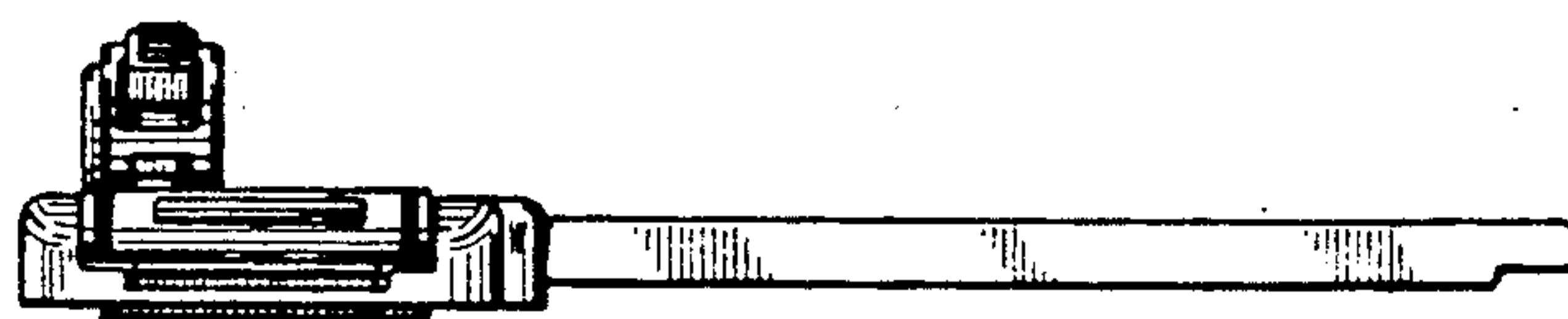


FIG. 5

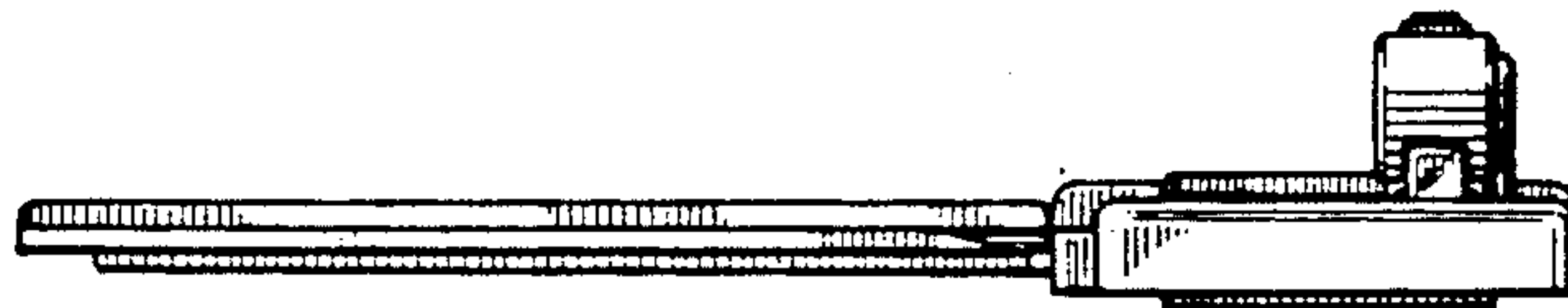


FIG. 6

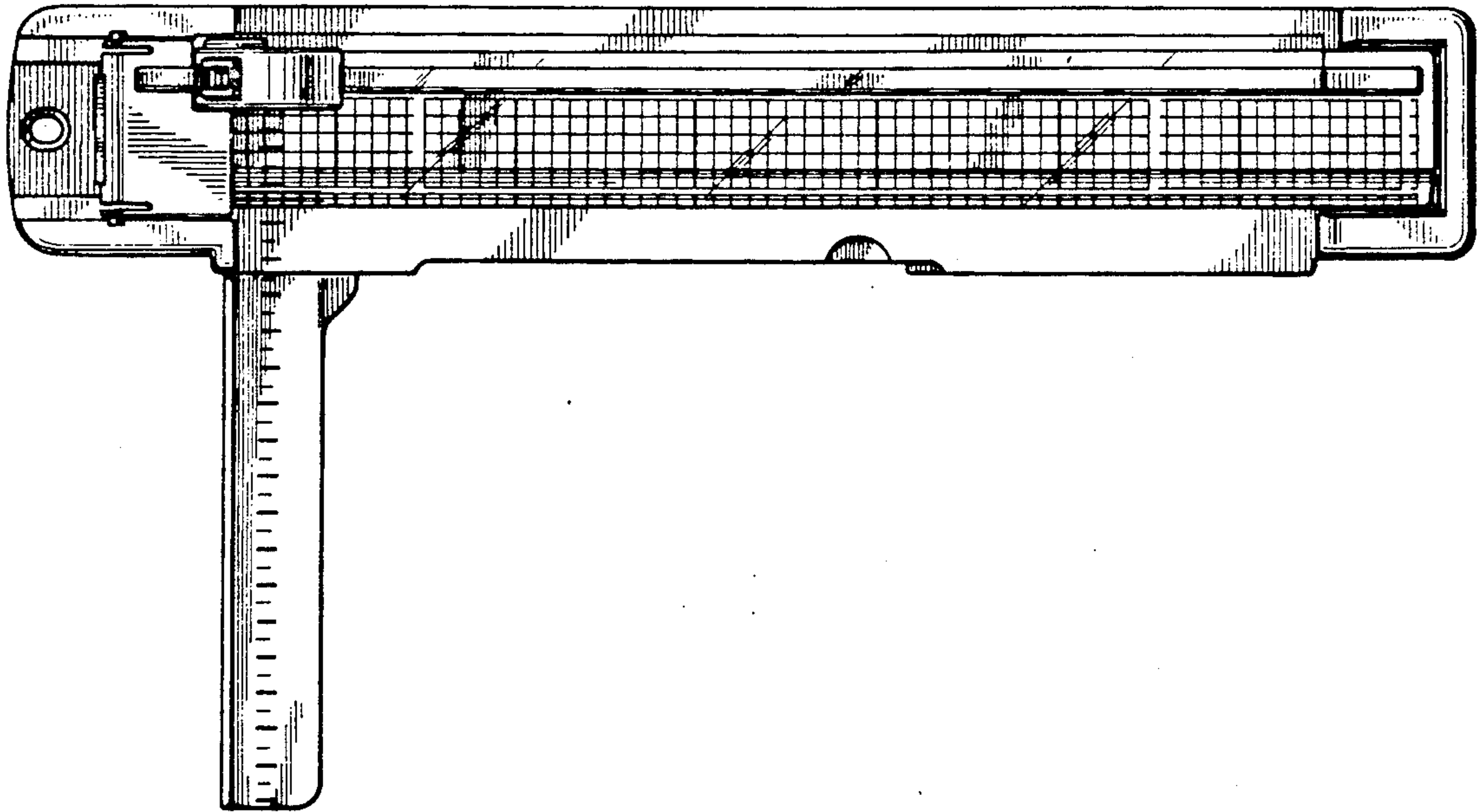
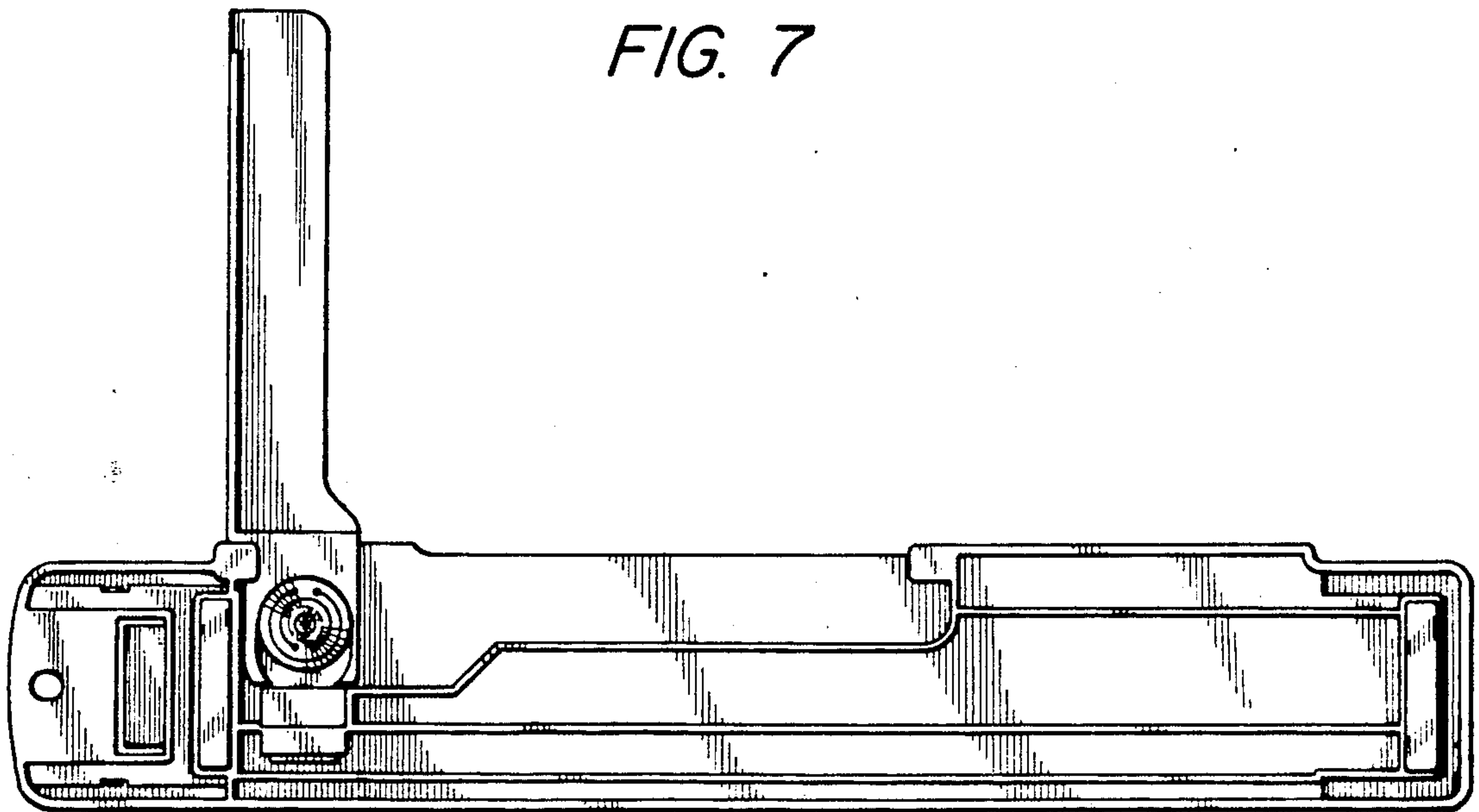


FIG. 7



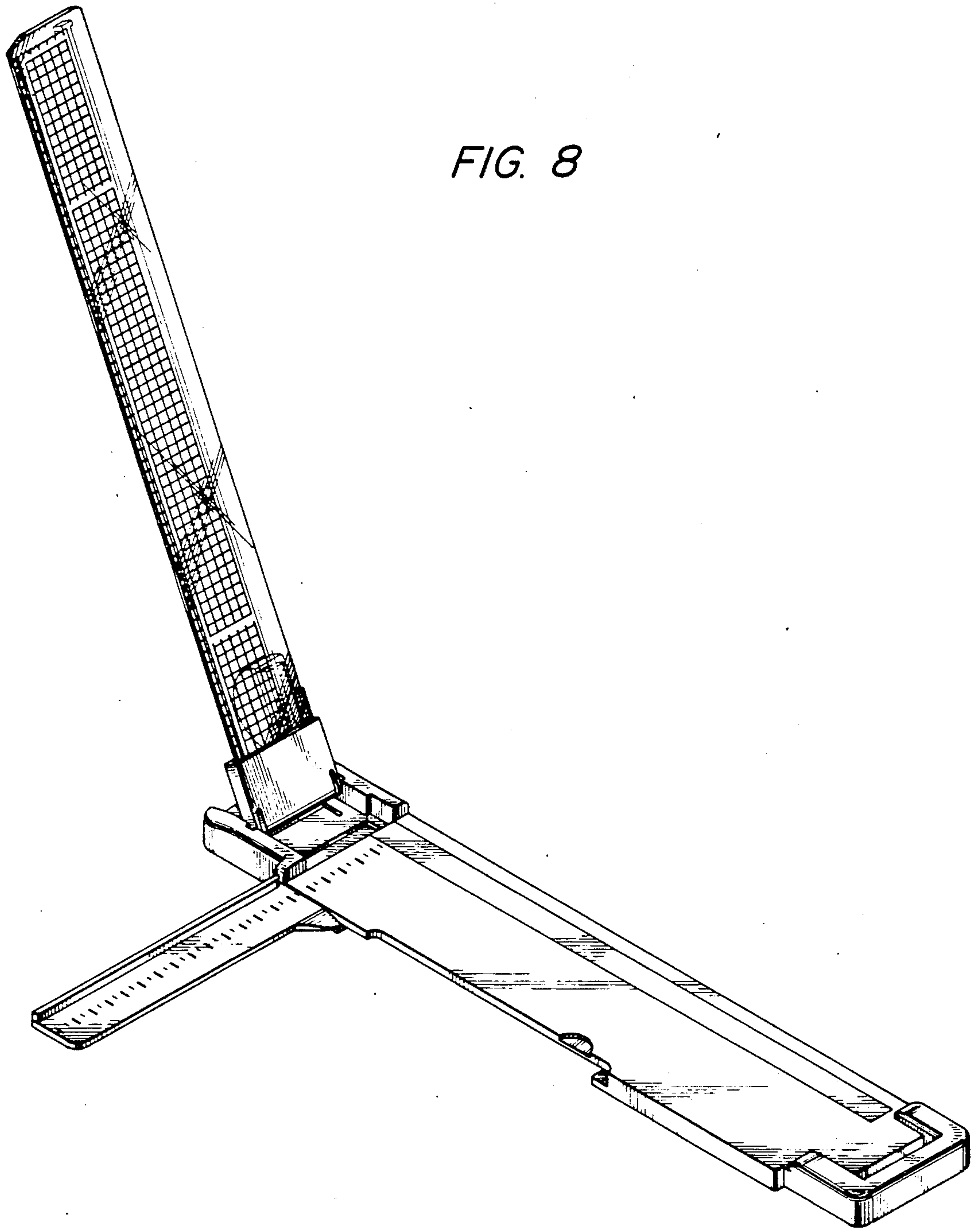


FIG. 8

FIG. 9

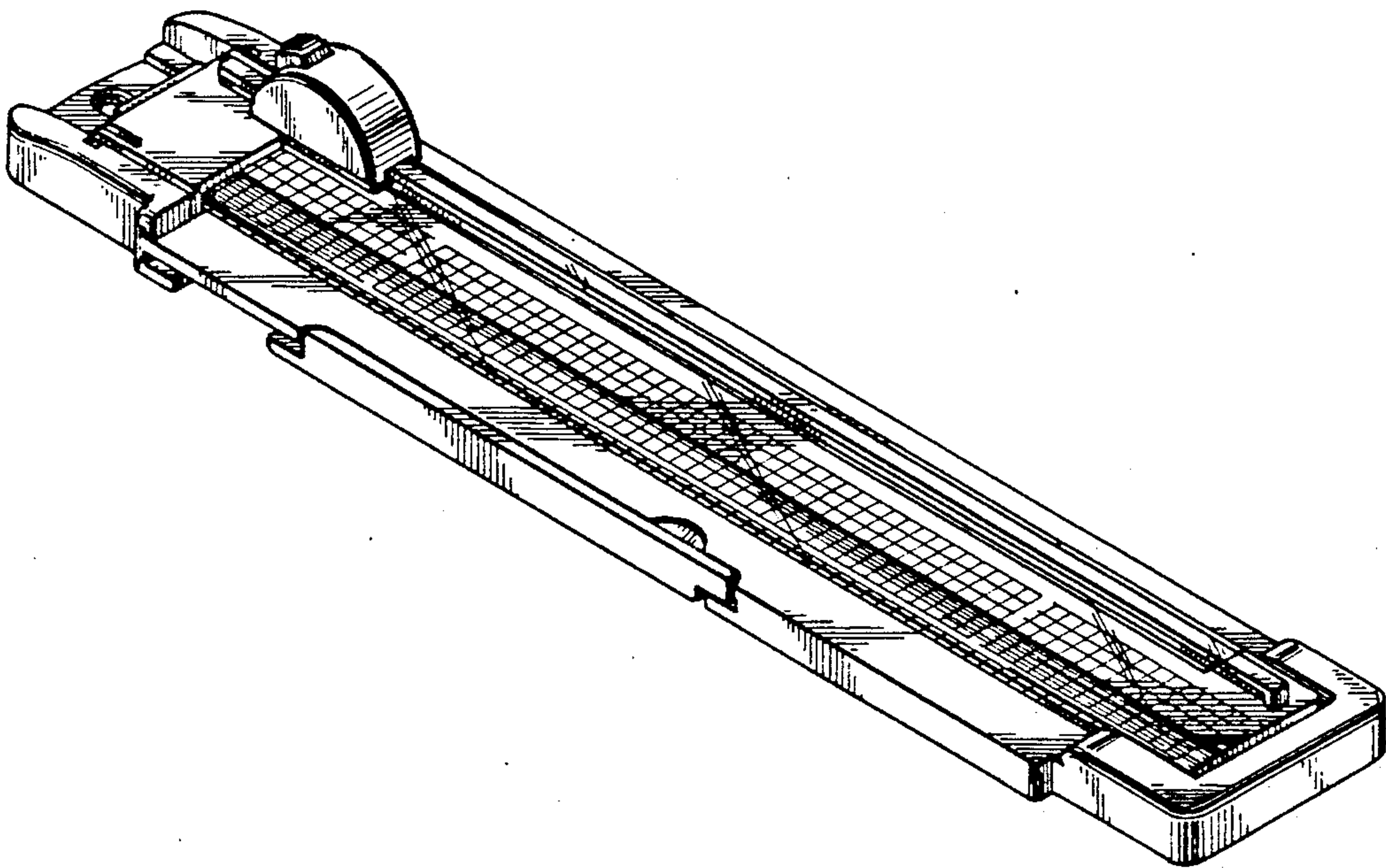


FIG. 10

