

[54] RIBBON CARTRIDGE FOR LETTERING SYSTEM

[75] Inventors: Michael P. Kassner, Circle Pines; George F. Schwoboda, Minneapolis, both of Minn.

[73] Assignee: Varitronic Systems, Inc., Minneapolis, Minn.

[**] Term: 14 Years

[21] Appl. No.: 229,855

[22] Filed: Aug. 8, 1988

[52] U.S. Cl. D18/22

[58] Field of Search D14/120, 121, 122; 360/132, 134; 242/55.19 A, 197, 198, 199; 273/DIG. 28; D18/22, 40; 400/120, 127, 207, 208, 208.1, 615.2

[56] References Cited

U.S. PATENT DOCUMENTS

- D. 287,025 12/1986 Link et al. D18/22
- 4,402,619 9/1983 Pague et al. 400/615.2
- 4,480,936 11/1984 Kasun et al. 400/207

FOREIGN PATENT DOCUMENTS

0162379 7/1986 Japan 400/208

OTHER PUBLICATIONS

IBM Technical Disclosure Bulletin, vol. 25, No. 4, Sep. 1982, cartridge in top pic.

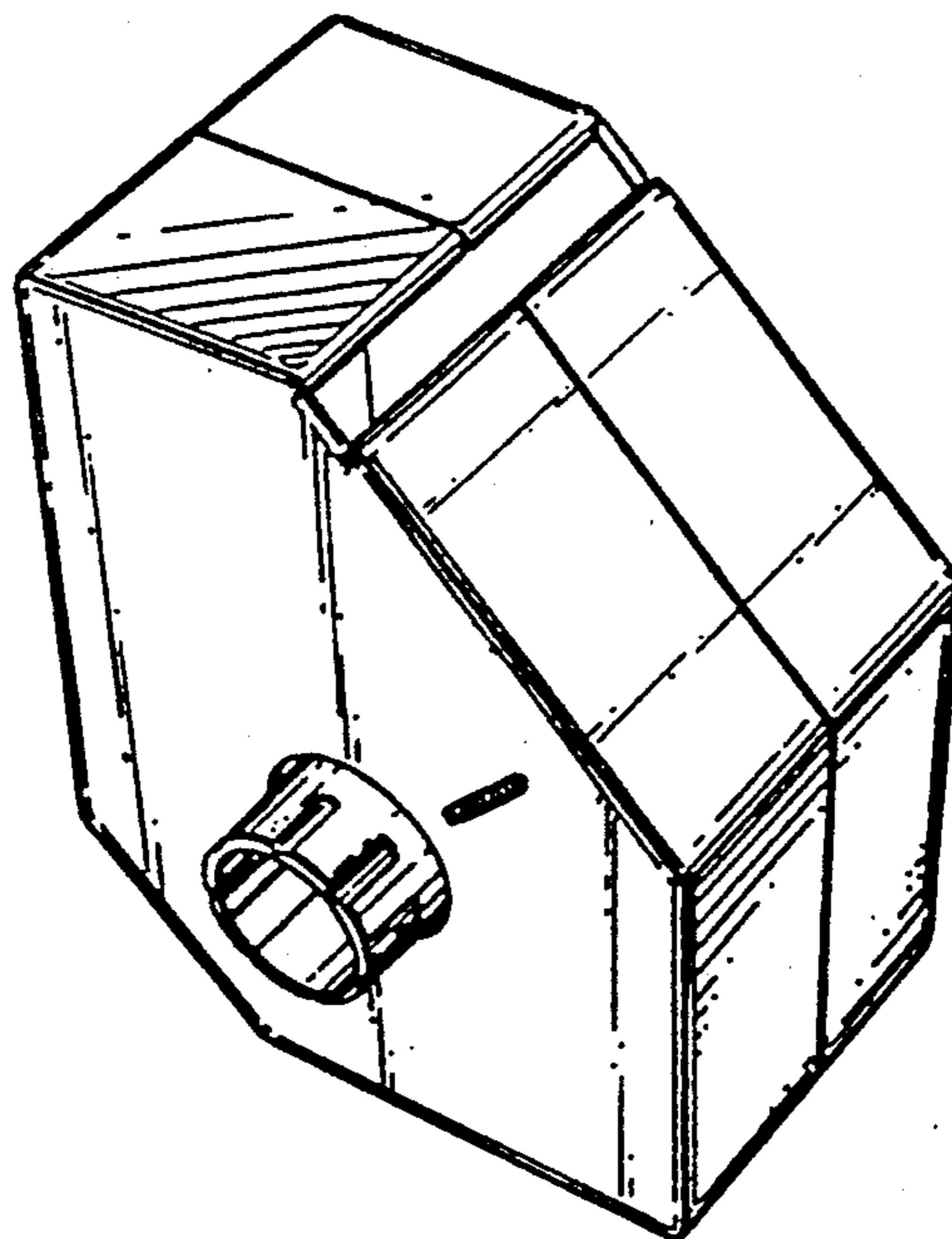
Primary Examiner—B. J. Bullock
Assistant Examiner—Sandra Morris
Attorney, Agent, or Firm—Merchant, Gould, Smith, Edell, Welter & Schmidt

[57] CLAIM

The ornamental design for ribbon cartridge for lettering system, as shown and described.

DESCRIPTION

FIG. 1 is a perspective view of the ribbon cartridge for lettering system showing our new design; FIG. 2 is a top plan view thereof; FIG. 3 is a left side elevational view thereof; FIG. 4 is a rear elevational view thereof; FIG. 5 is a bottom plan view thereof; FIG. 6 is a front elevational view thereof; and FIG. 7 is a right side elevational view thereof.



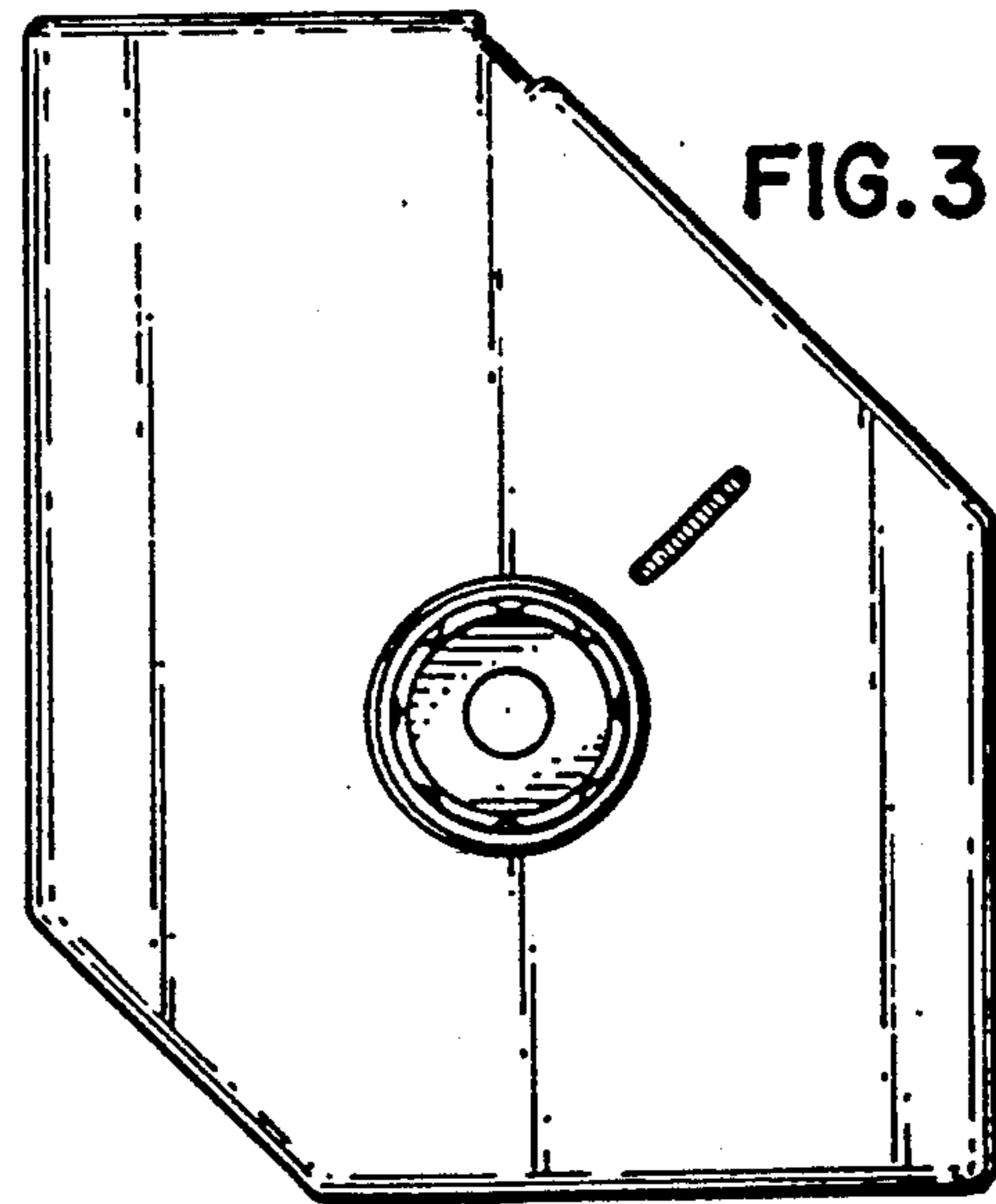
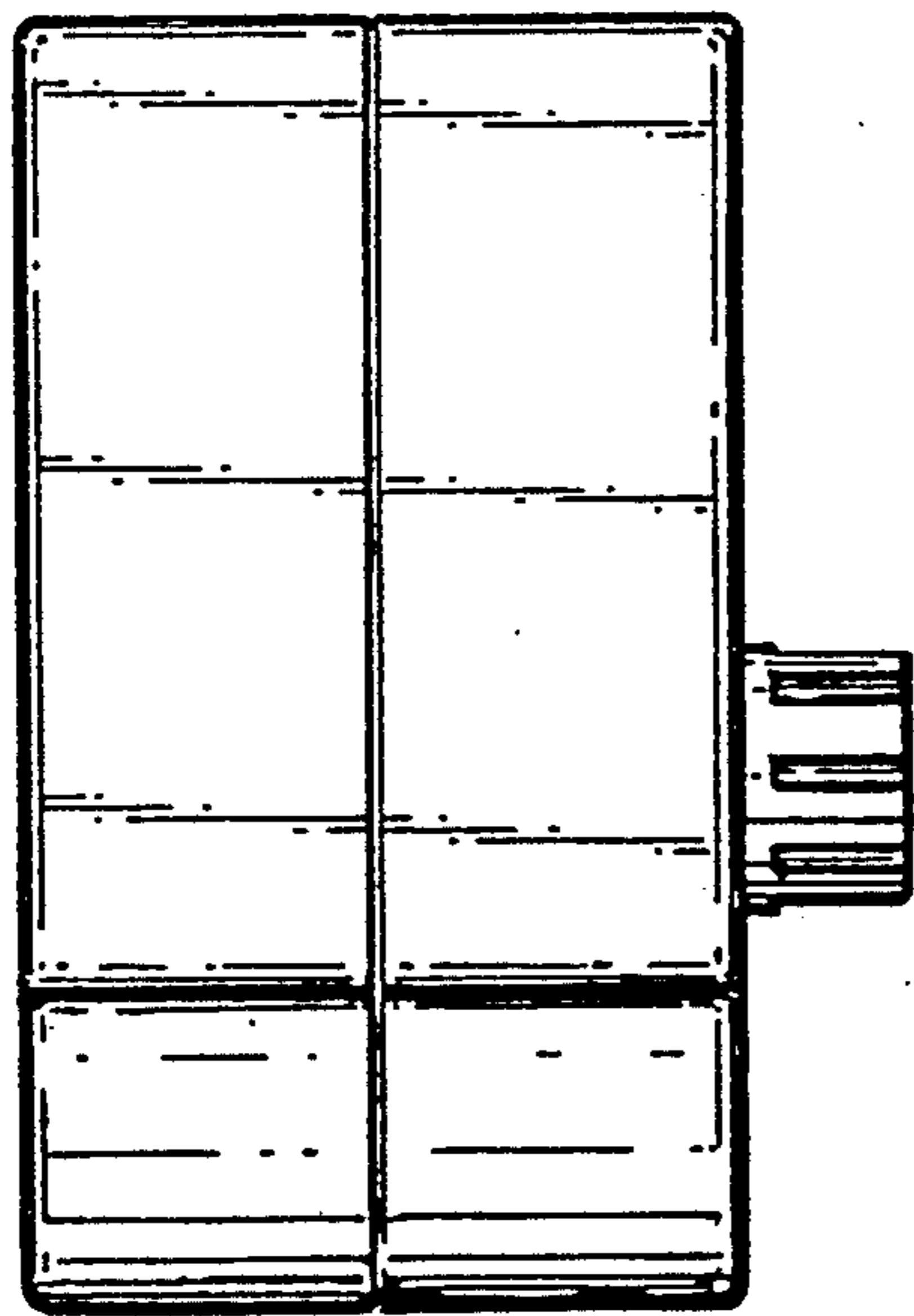
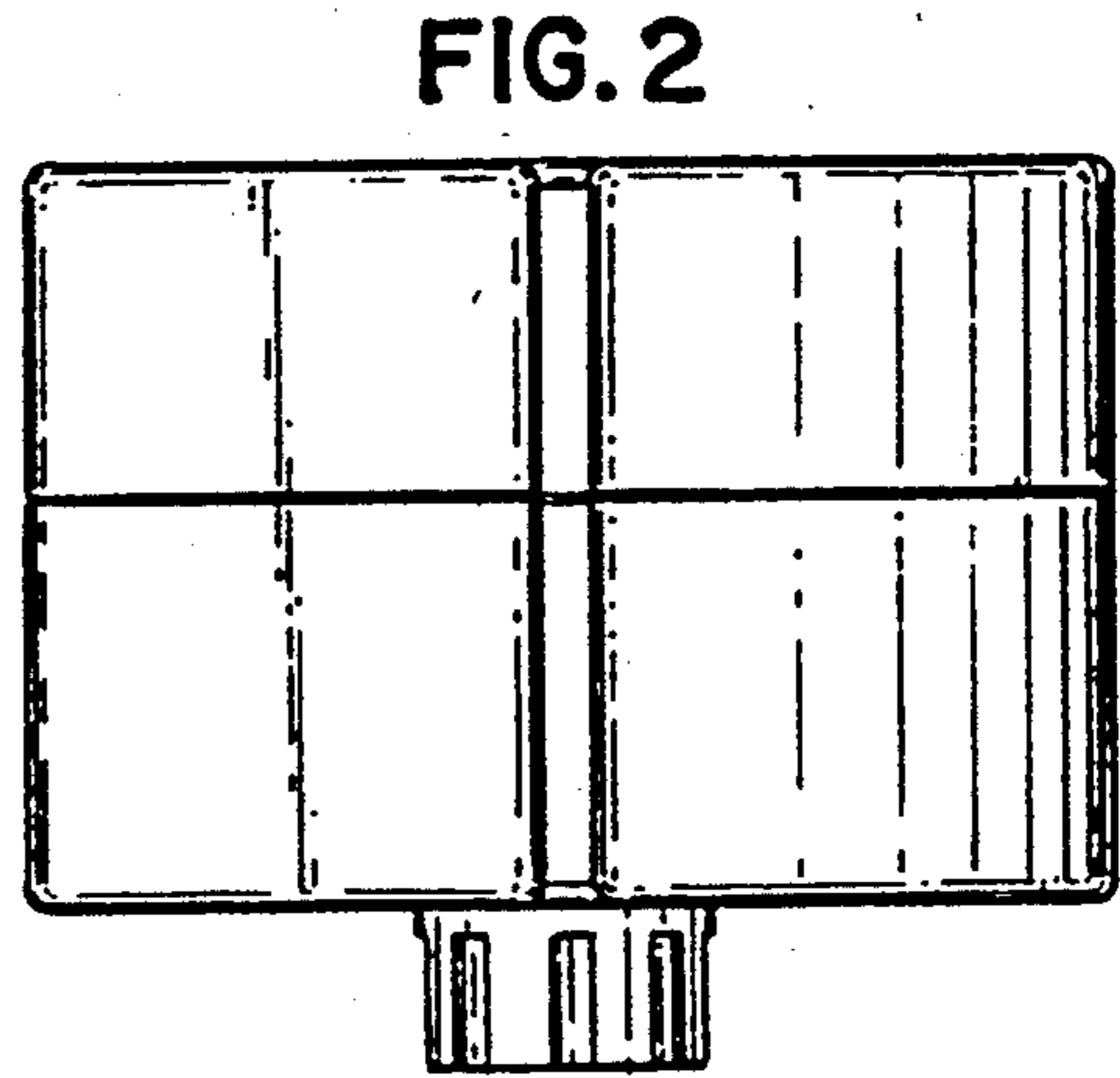
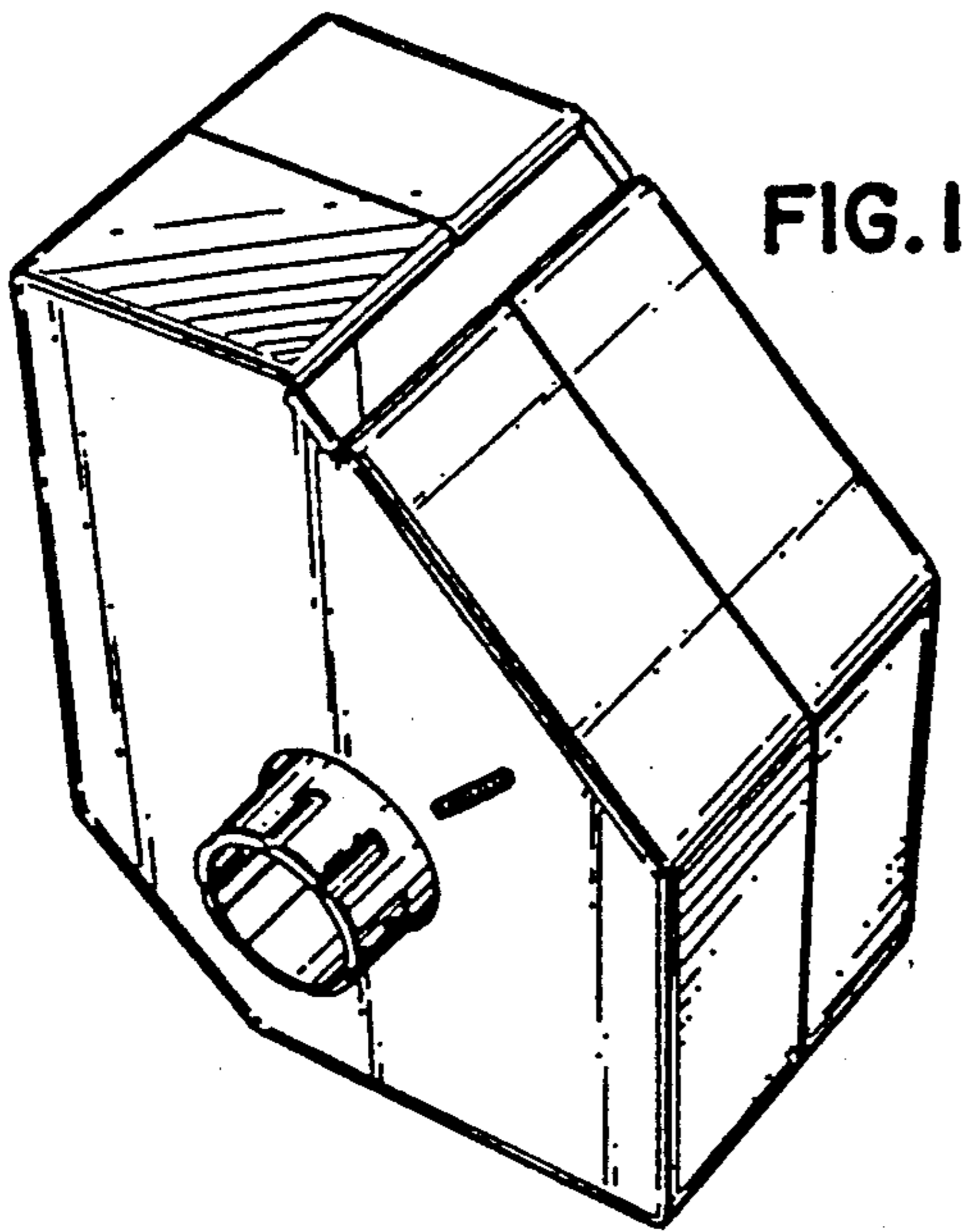
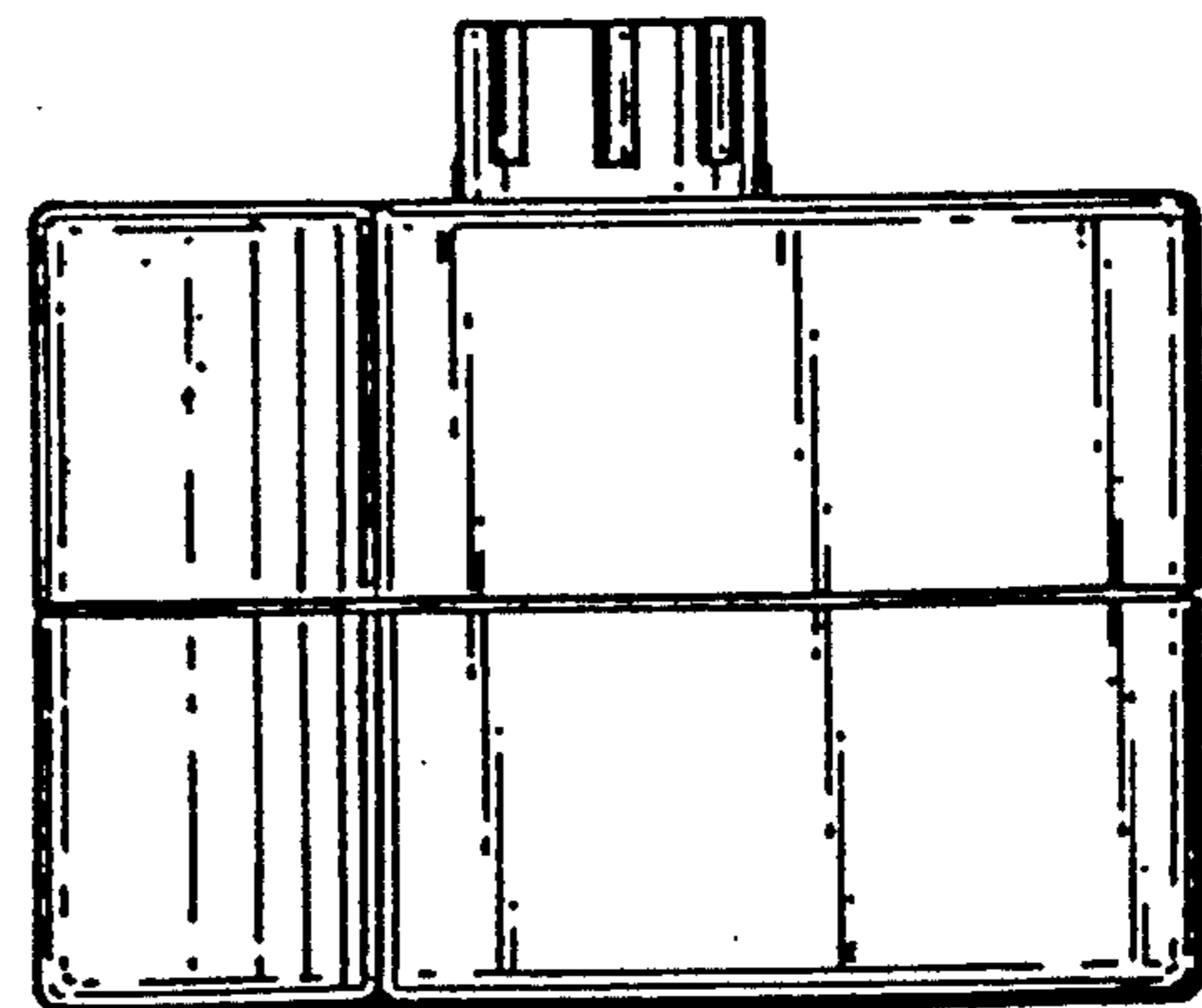


FIG. 4

FIG. 5



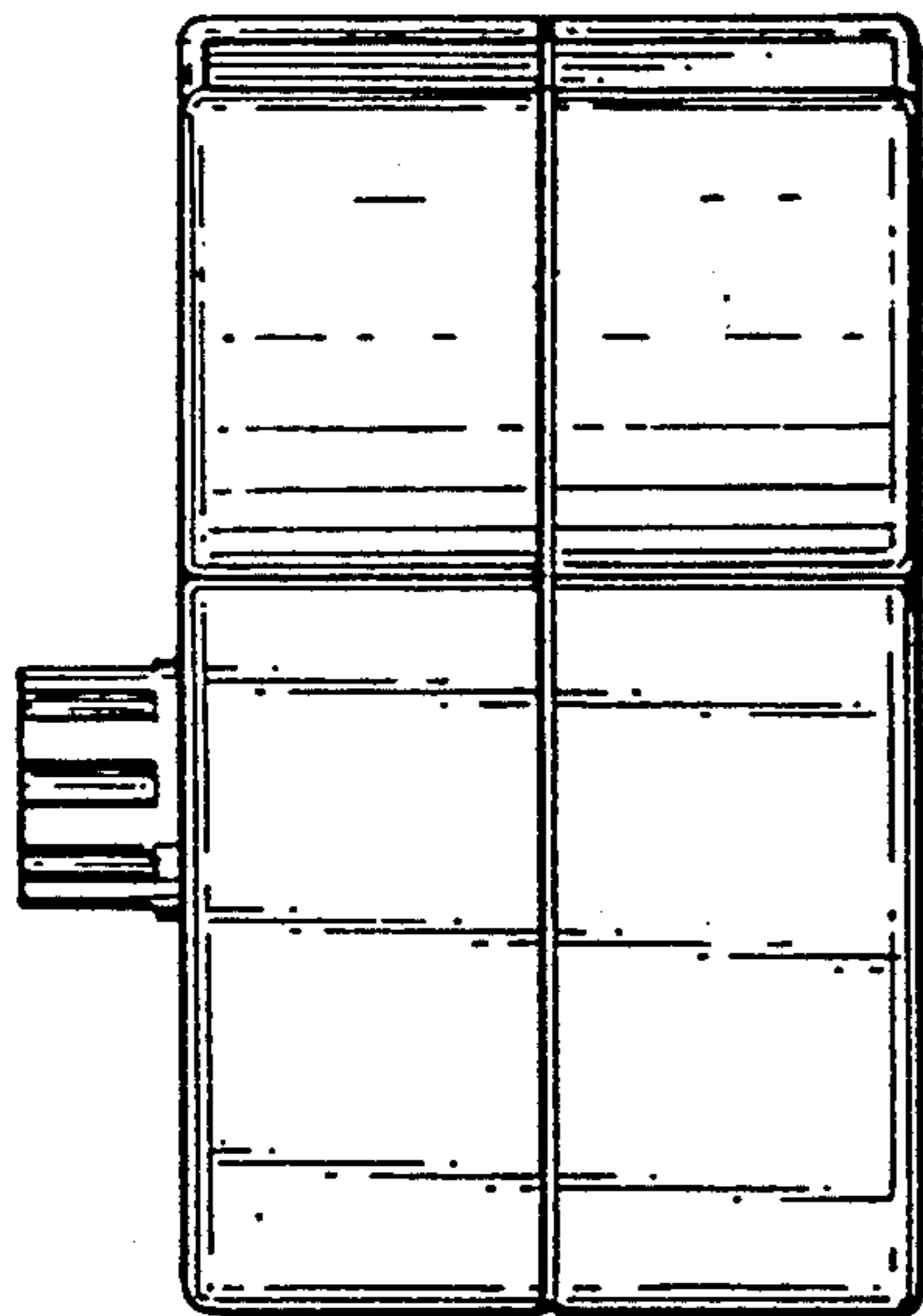


FIG. 6

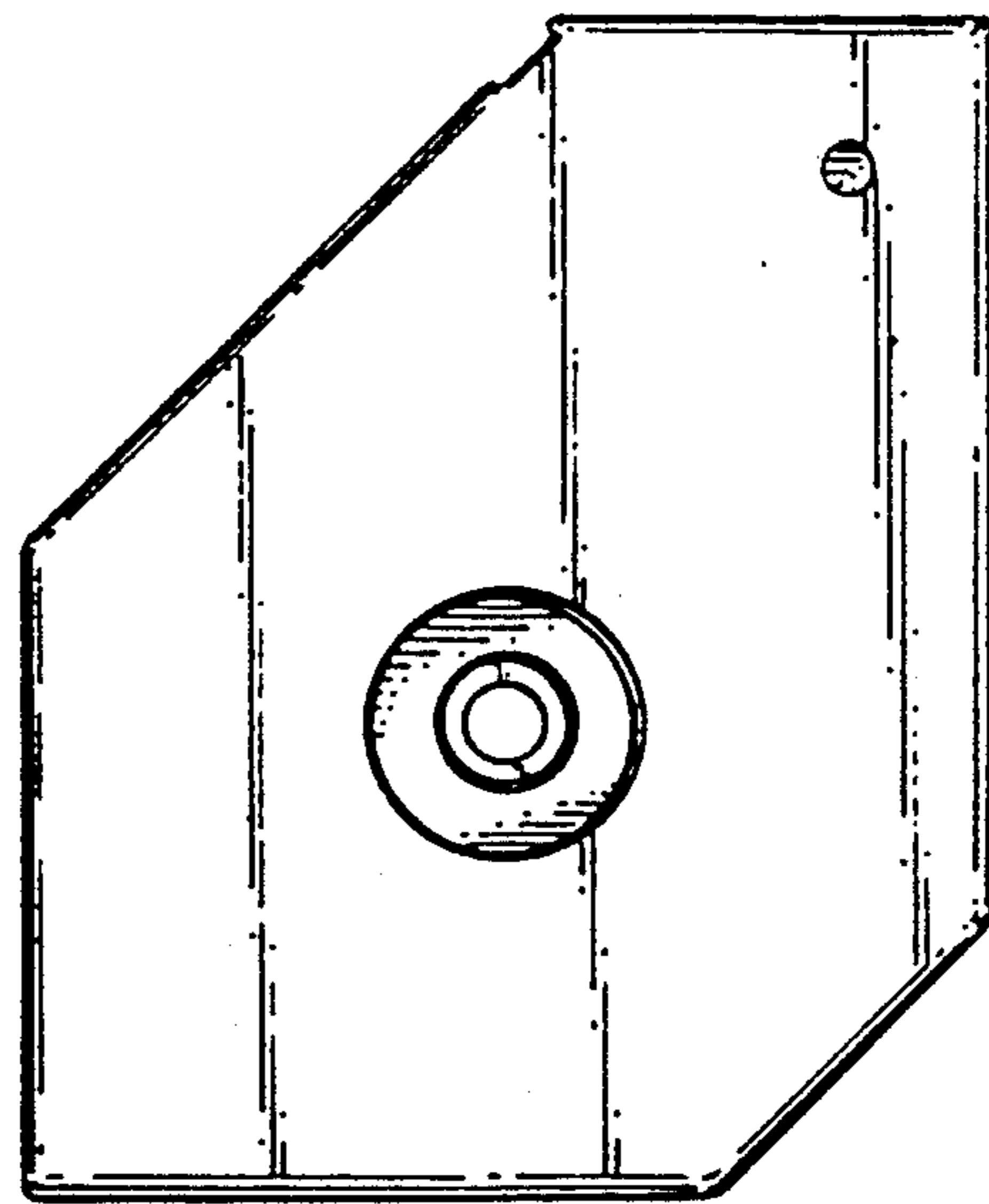


FIG. 7