

[54] BAIL FOR A ROTARY POWER TILLER OR THE LIKE

[75] Inventor: Albert C. Johnston, Troy, N.Y.

[73] Assignee: Garden Way Incorporated, Troy, N.Y.

[**] Term: 14 Years

[21] Appl. No.: 332,754

[22] Filed: Apr. 3, 1989

[52] U.S. Cl. D15/28; D15/17

[58] Field of Search D15/10, 14, 17, 18; 172/42, 43, 256; 37/260; D18/12; 220/92, 95; 56/DIG. 9, 320.1

[56] References Cited

U.S. PATENT DOCUMENTS

- D. 294,031 2/1988 Hosonuma D15/14
- D. 295,865 5/1988 Rosenblad D15/18

- 3,484,963 12/1969 Heth 198/642
- 3,643,854 2/1972 Holmes 220/95
- 3,921,315 11/1975 Tome 37/260

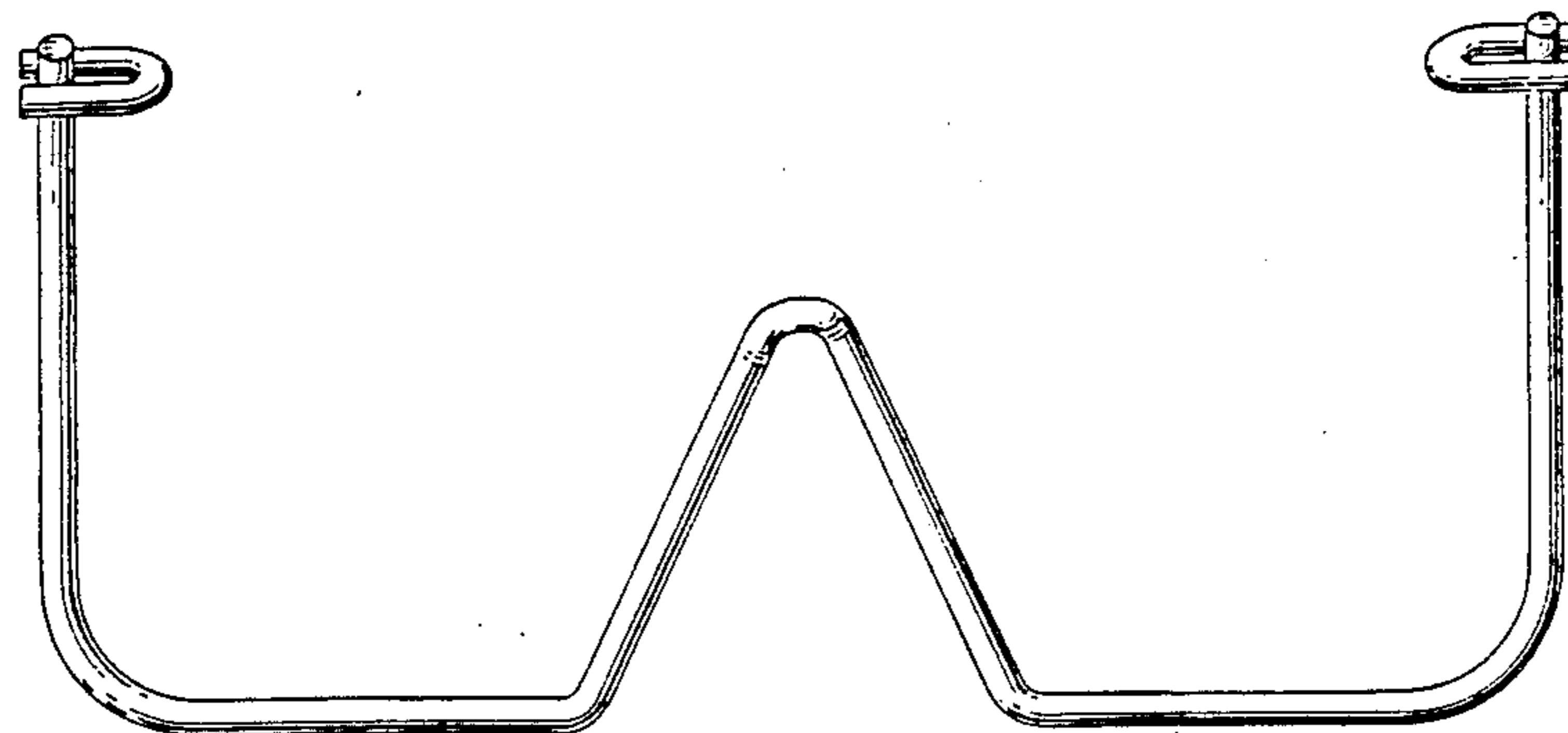
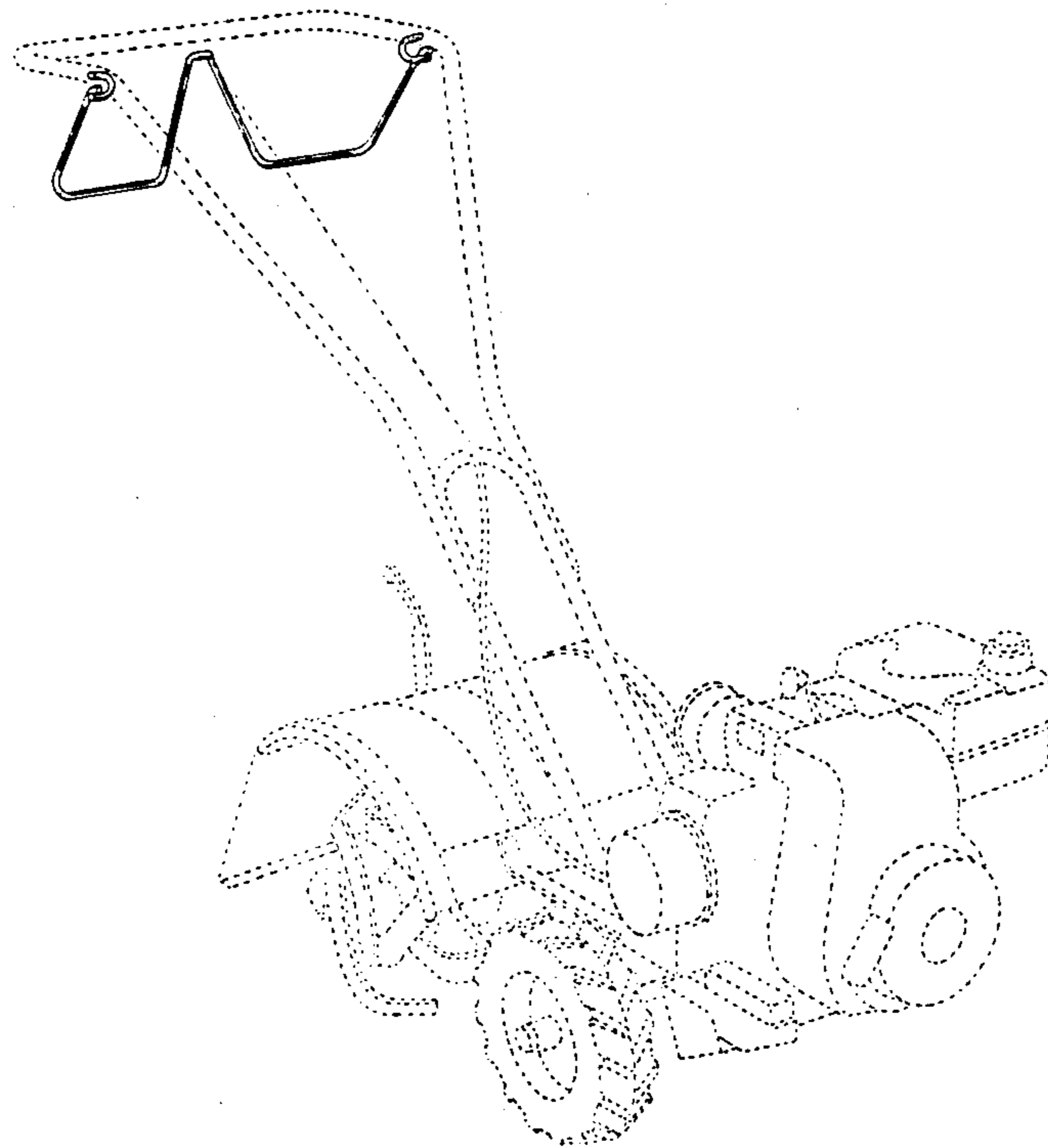
Primary Examiner—Theodore M. Shooman
Assistant Examiner—Sandra Morris
Attorney, Agent, or Firm—Hayes & Reinsmith

[57] CLAIM

The ornamental design for a bail for a rotary power tiller or the like, as shown and described.

DESCRIPTION

FIG. 1 is a perspective view of a bail for a rotary power tiller or the like, showing my new design, the broken lines showing a rotary tiller are for illustrative purposes only, and form no part of the claimed design;
FIG. 2 is a front elevational view thereof;
FIG. 3 is a side elevational view thereof, the opposite side being a mirror image;
FIG. 4 is a top plan view thereof.



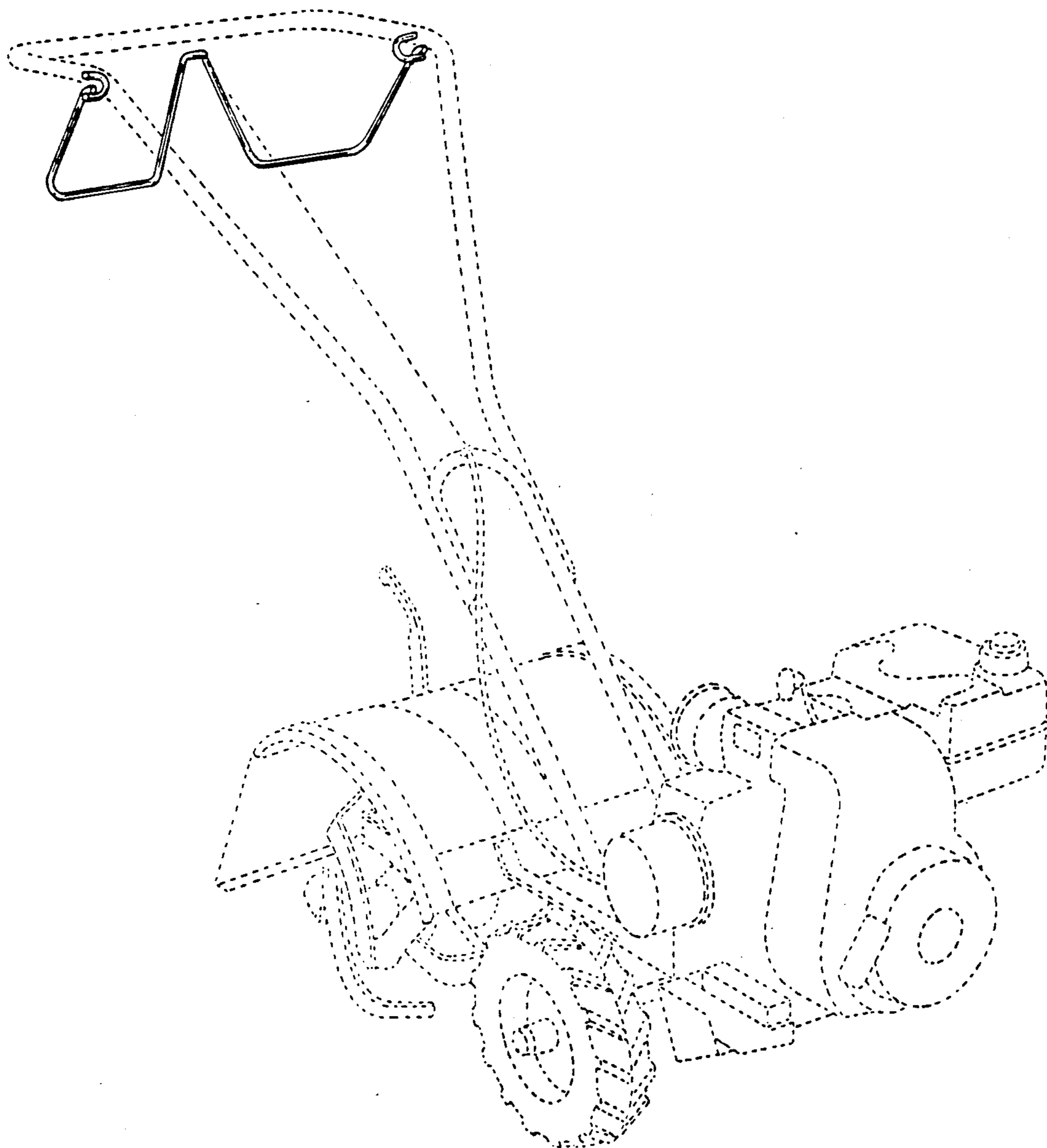


FIG. 1

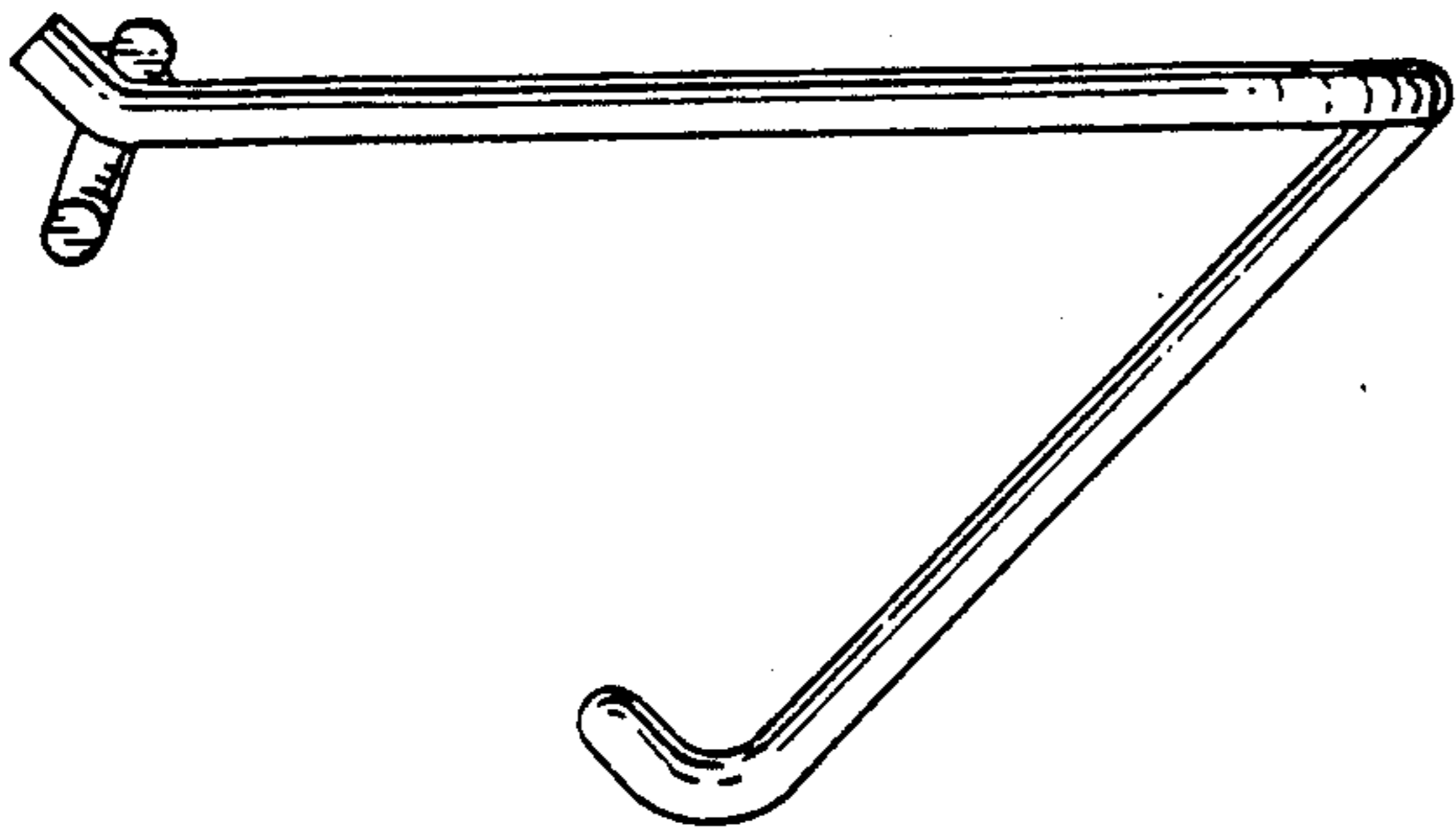


FIG. 3

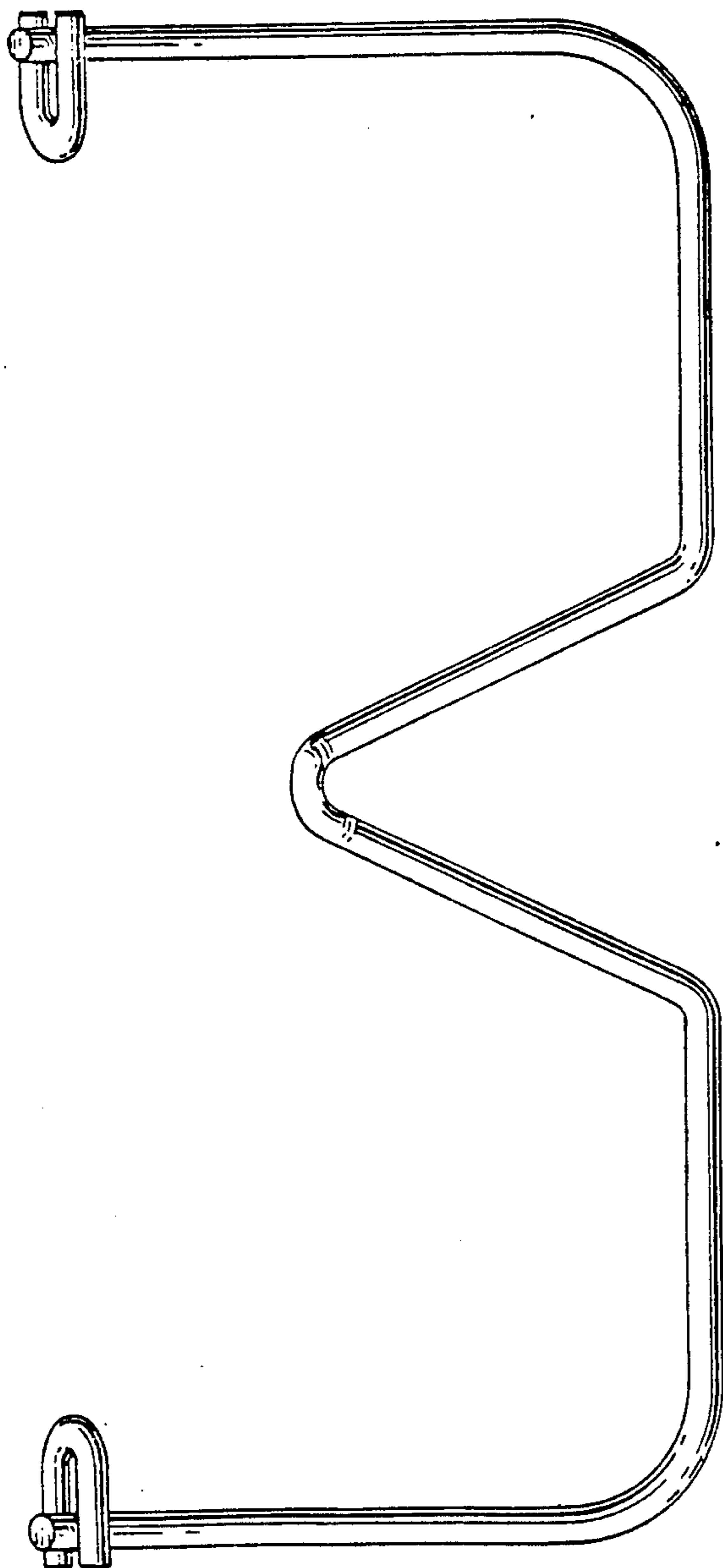


FIG. 2

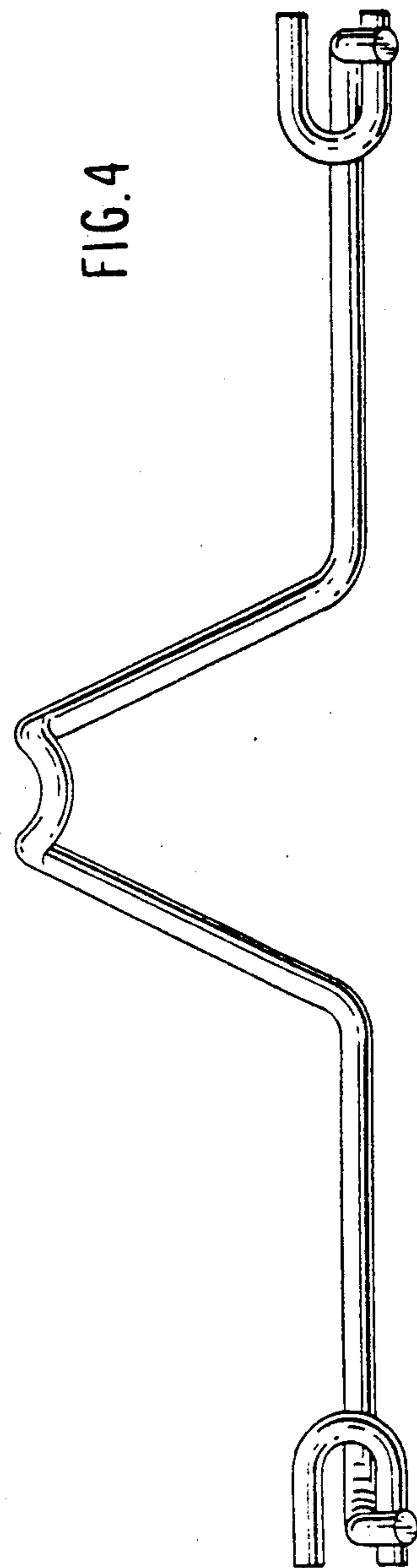


FIG. 4